



US00D608254S

(12) **United States Design Patent**  
**Grim**

(10) **Patent No.:** **US D608,254 S**

(45) **Date of Patent:** **\*\* \*Jan. 19, 2010**

(54) **PERAMBULATOR**

(75) Inventor: **Walter Grim, Valburg (NL)**

(73) Assignee: **WF International Holding B.V. (NL)**

(\*) Notice: This patent is subject to a terminal disclaimer.

(\*\*) Term: **14 Years**

(21) Appl. No.: **29/306,186**

(22) Filed: **Apr. 3, 2008**

(30) **Foreign Application Priority Data**

Oct. 3, 2007 (EM) ..... 000801329-0003

(51) **LOC (9) Cl.** ..... **12-12**

(52) **U.S. Cl.** ..... **D12/129**

(58) **Field of Classification Search** ..... D12/128-133;  
D21/433; D34/12, 27, 30; 280/62, 647-650,  
280/29, 200, 47.38, 250.1, 259, 642, 658;  
296/65.03, 65.04; 297/DIG. 4; 135/65-67,  
135/74

See application file for complete search history.

(56) **References Cited**

**U.S. PATENT DOCUMENTS**

- D453,717 S \* 2/2002 Hawker et al. .... D12/129
- D456,319 S \* 4/2002 Yeh ..... D12/129
- D480,994 S \* 10/2003 Grohmann ..... D12/129
- 6,742,791 B2 \* 6/2004 Lan ..... 280/62
- D519,422 S \* 4/2006 Huang ..... D12/129

- D558,099 S \* 12/2007 Yang ..... D12/129
- D558,648 S \* 1/2008 Feyler et al. .... D12/129
- D571,263 S \* 6/2008 Lai ..... D12/129
- 7,422,230 B2 \* 9/2008 Chuan ..... 280/642
- D578,045 S \* 10/2008 Liao ..... D12/129
- D578,936 S \* 10/2008 Chen ..... D12/129
- D579,826 S \* 11/2008 Grim ..... D12/129
- D581,323 S \* 11/2008 Toussaint ..... D12/129
- D585,337 S \* 1/2009 Siewertsen ..... D12/129
- D593,007 S \* 5/2009 Chauderge ..... D12/129

\* cited by examiner

*Primary Examiner*—Charles A Rademaker

*Assistant Examiner*—Charles D Hanson

(74) *Attorney, Agent, or Firm*—DLA Piper LLP US; Jennifer E. Lacroix, Esq.

(57) **CLAIM**

The ornamental design for a perambulator, as shown and described.

**DESCRIPTION**

FIG. 1 is a front view of a perambulator showing my new design;

FIG. 2 is a front perspective view thereof;

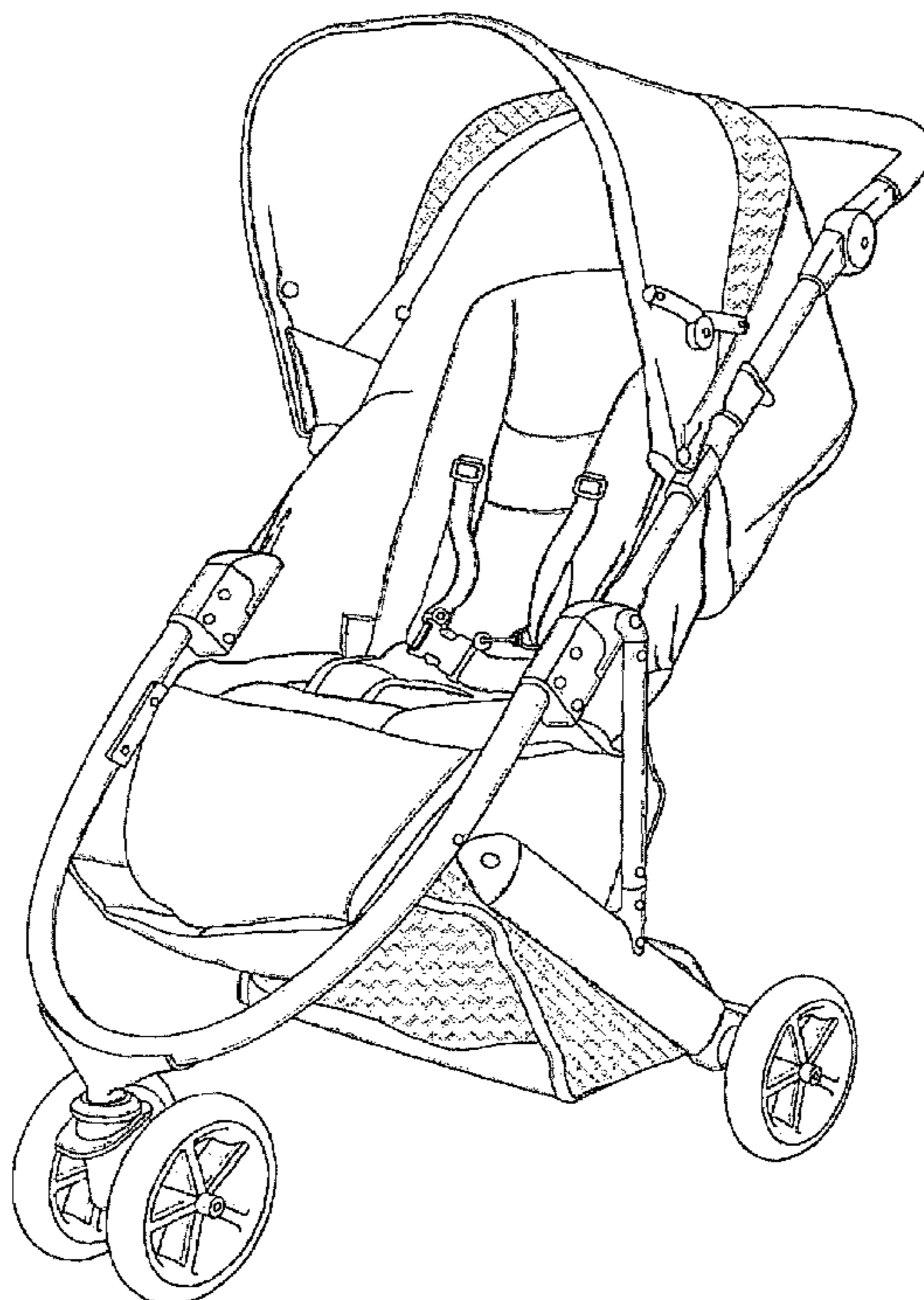
FIG. 3 is a rear perspective view thereof;

FIG. 4 is a another rear perspective view thereof; and,

FIG. 5 is a left side view thereof, the right side being a mirror image.

The crosshatching shown in the above Figures is understood to represent a mesh material.

**1 Claim, 5 Drawing Sheets**



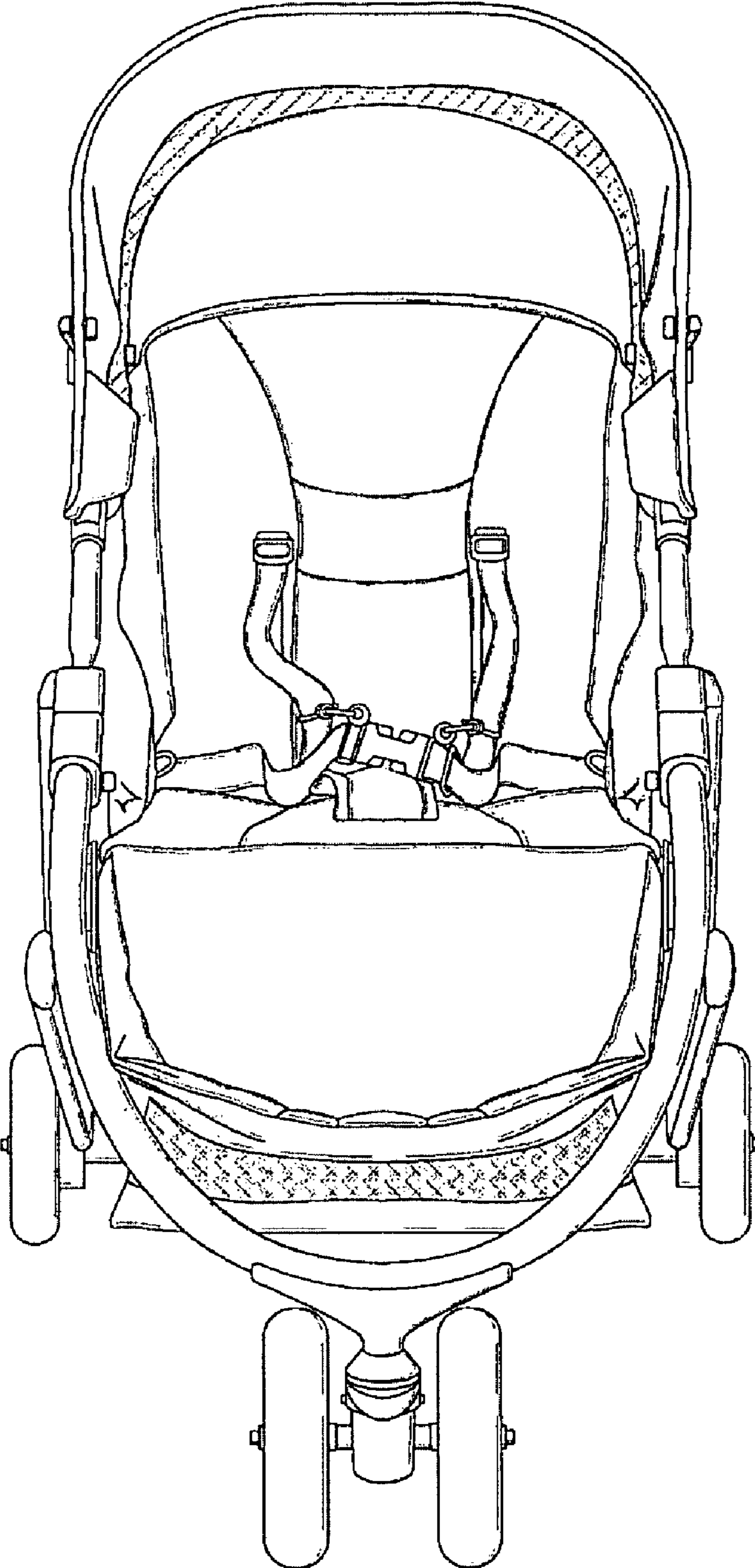


FIG. 1

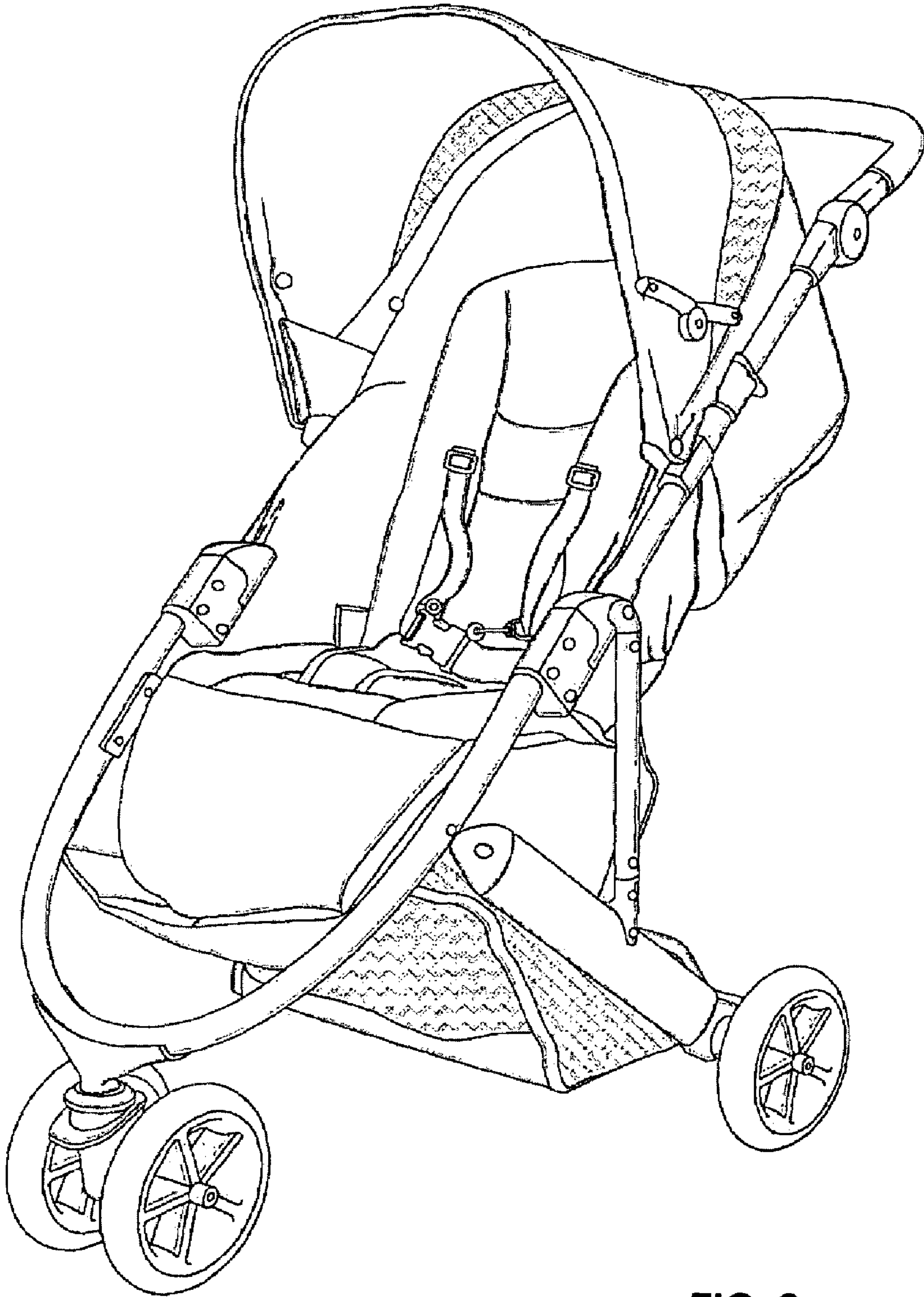


FIG. 2



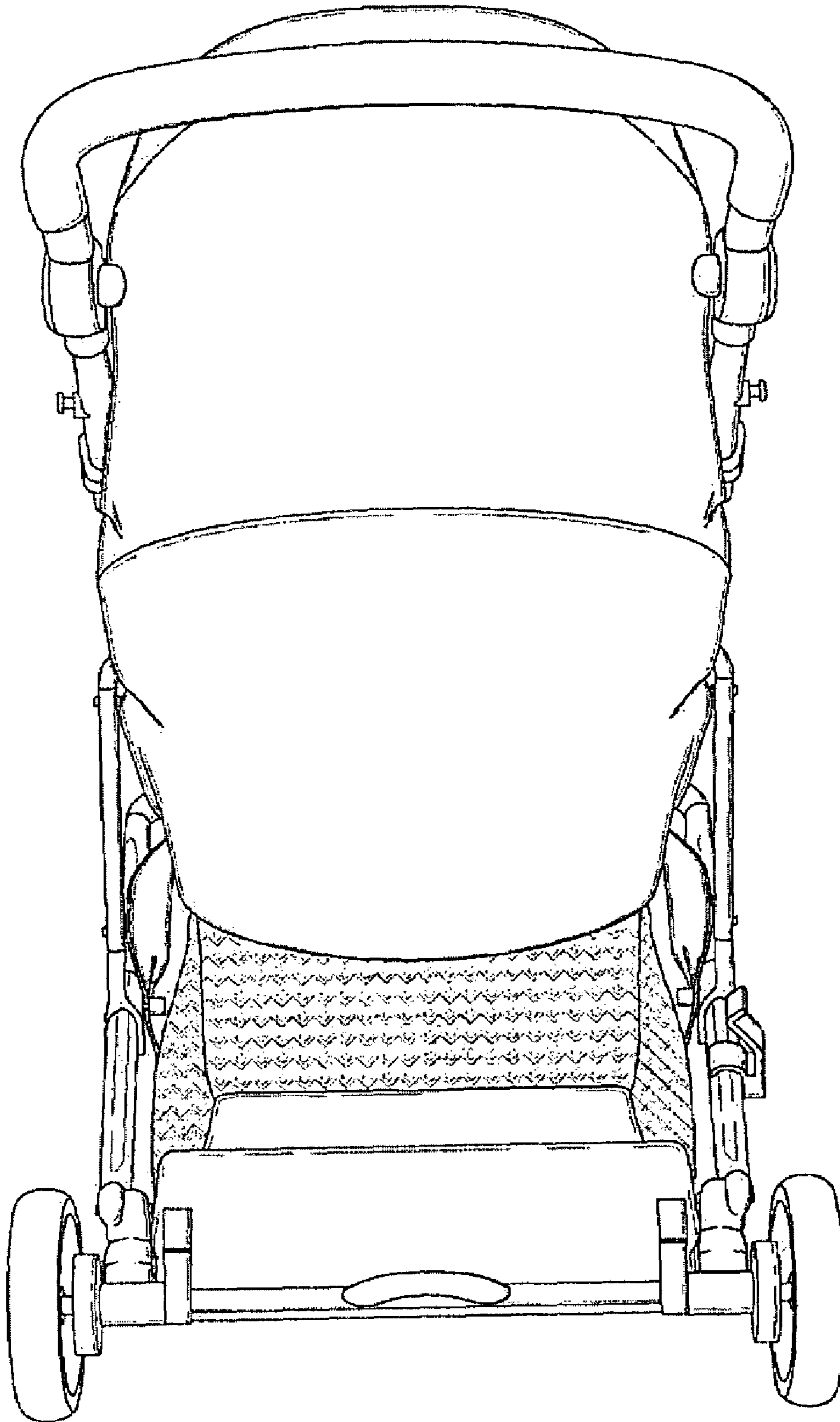


FIG. 3

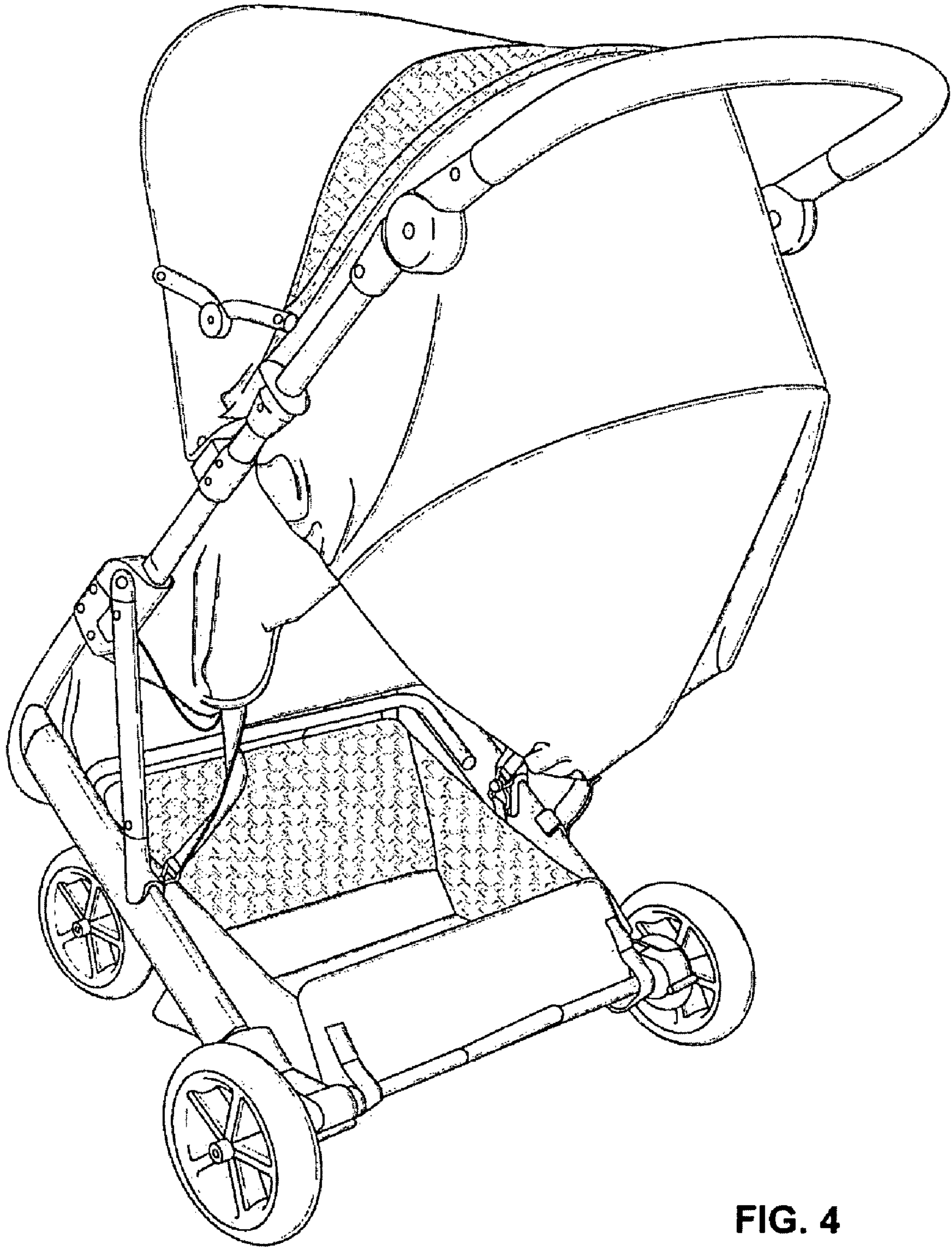


FIG. 4

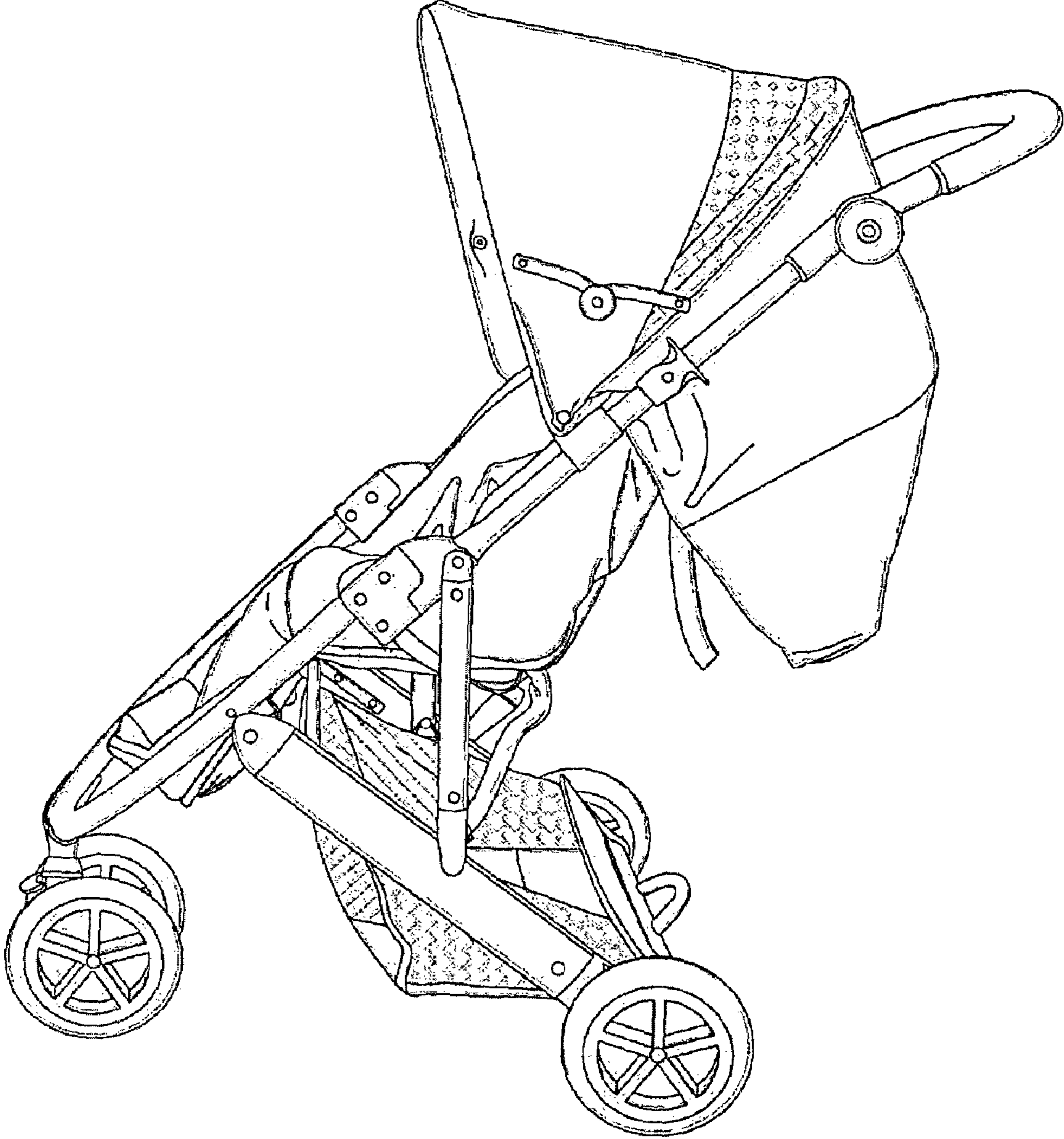


FIG. 5