



US00D608248S

(12) **United States Design Patent**  
**Hirai**

(10) **Patent No.:** **US D608,248 S**  
(45) **Date of Patent:** **\*\* Jan. 19, 2010**

(54) **AUTOMOBILE AND TOY REPLICA THEREOF**

(75) Inventor: **Kenichi Hirai**, Toyota (JP)

(73) Assignee: **Toyota Jidosha Kabushiki Kaisha**, Toyota (JP)

(\*\*) Term: **14 Years**

(21) Appl. No.: **29/339,172**

(22) Filed: **Jun. 25, 2009**

**Related U.S. Application Data**

(62) Division of application No. 29/300,157, filed on Feb. 27, 2008, now Pat. No. Des. 601,923.

(30) **Foreign Application Priority Data**

Aug. 30, 2007 (JP) ..... 2007-023569

(51) **LOC (9) Cl.** ..... **12-08**

(52) **U.S. Cl.** ..... **D12/90**

(58) **Field of Classification Search** ..... D12/86,  
D12/90-92; D21/424, 433, 434; 296/181.1,  
296/181.5

See application file for complete search history.

(56) **References Cited**

**U.S. PATENT DOCUMENTS**

- D526,934 S 8/2006 Fujiwara et al.
- D528,469 S 9/2006 Yakushi et al.
- D551,594 S \* 9/2007 Tsuchiya ..... D12/91
- D563,833 S \* 3/2008 Suga et al. .... D12/91
- D566,007 S \* 4/2008 Nakajima ..... D12/91
- D567,146 S \* 4/2008 Wang et al. .... D12/90

- D572,628 S 7/2008 Nakajima
- D578,438 S \* 10/2008 Suzuki et al. .... D12/91
- D592,102 S \* 5/2009 Kim ..... D12/90
- D597,443 S \* 8/2009 Vermeersch et al. .... D12/91
- D597,444 S \* 8/2009 Vermeersch et al. .... D12/91

**OTHER PUBLICATIONS**

Smart, Press Information of Geneva Show 2007 by Smart, Mar. 5, 2007.

Toyota Aygo, "Car Styling No. 168", San-eishobo Publishing Co., Sep. 30, 2005.

\* cited by examiner

*Primary Examiner*—Melody N Brown

(74) *Attorney, Agent, or Firm*—Finnegan, Henderson, Farabow, Garrett & Dunner, LLP

(57) **CLAIM**

The ornamental design for an automobile and toy replica thereof, as shown and described.

**DESCRIPTION**

FIG. 1 is a front perspective view of an automobile and toy replica thereof of my new design;

FIG. 2 is a rear perspective view thereof;

FIG. 3 is a front view thereof;

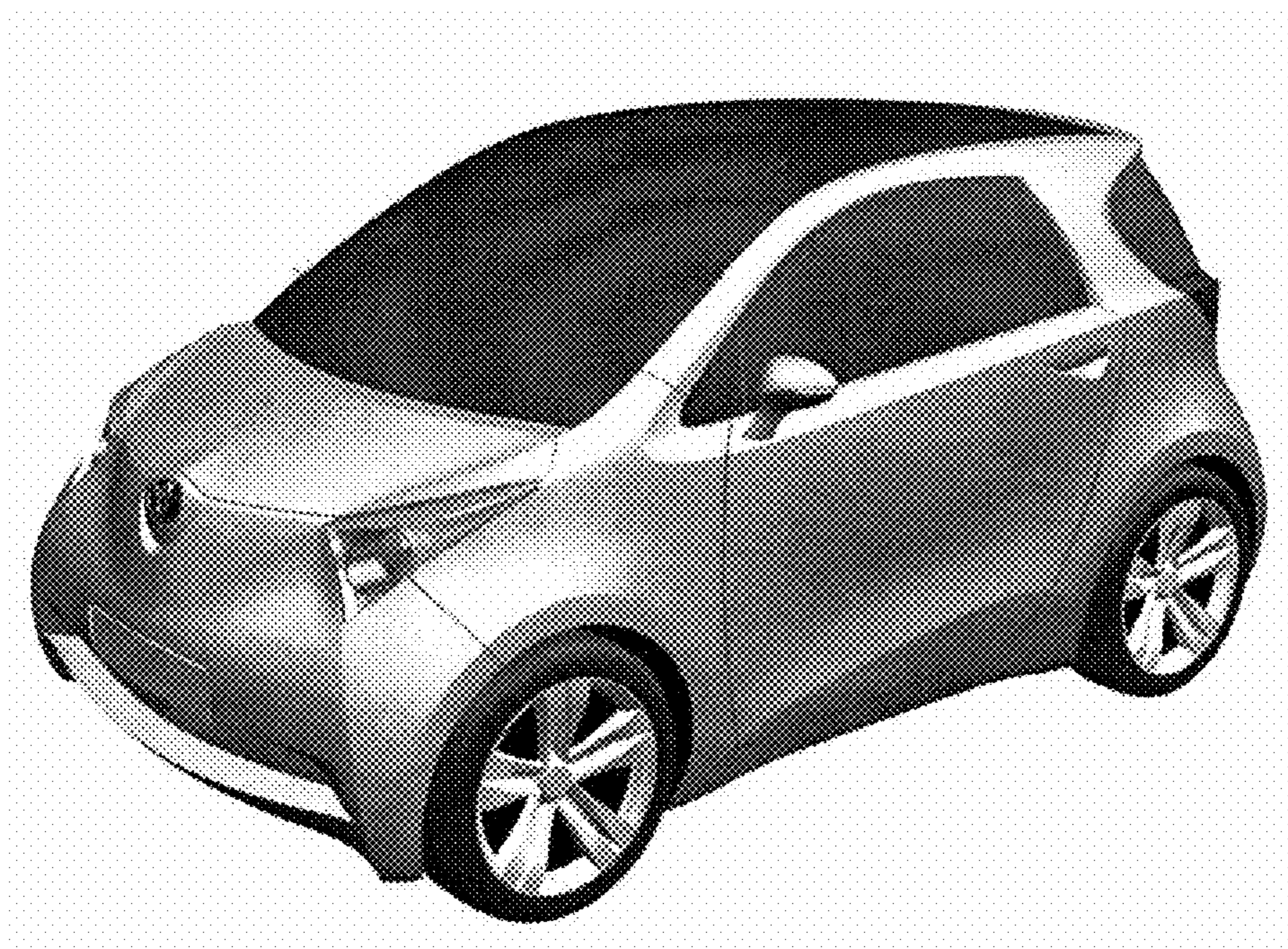
FIG. 4 is a rear view thereof;

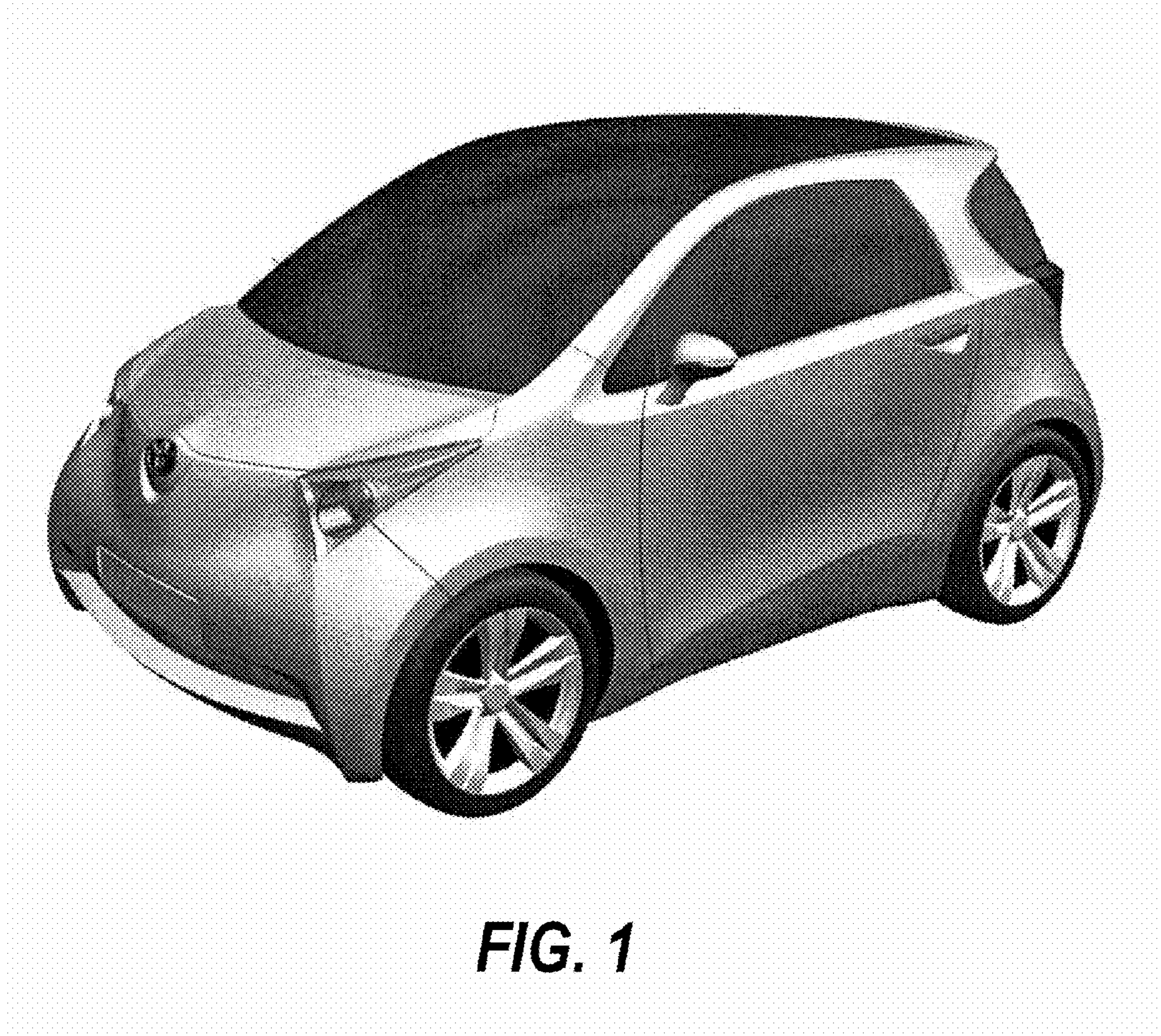
FIG. 5 is a top plan view thereof; and,

FIG. 6 is a right side view thereof, the left side view being a mirror image of FIG. 6.

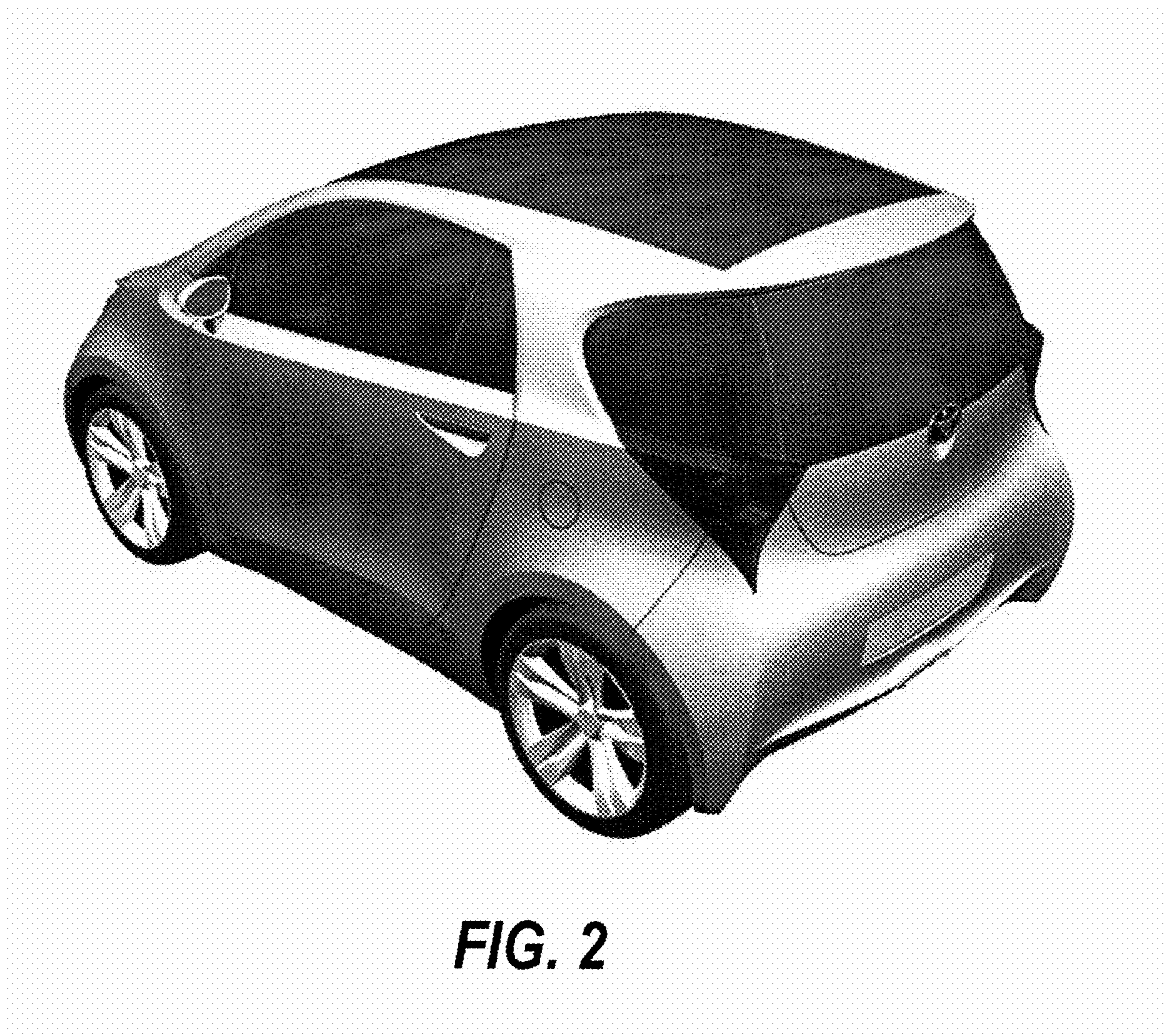
The bottom view of my design forms no part of the claimed design.

**1 Claim, 5 Drawing Sheets**





**FIG. 1**



**FIG. 2**

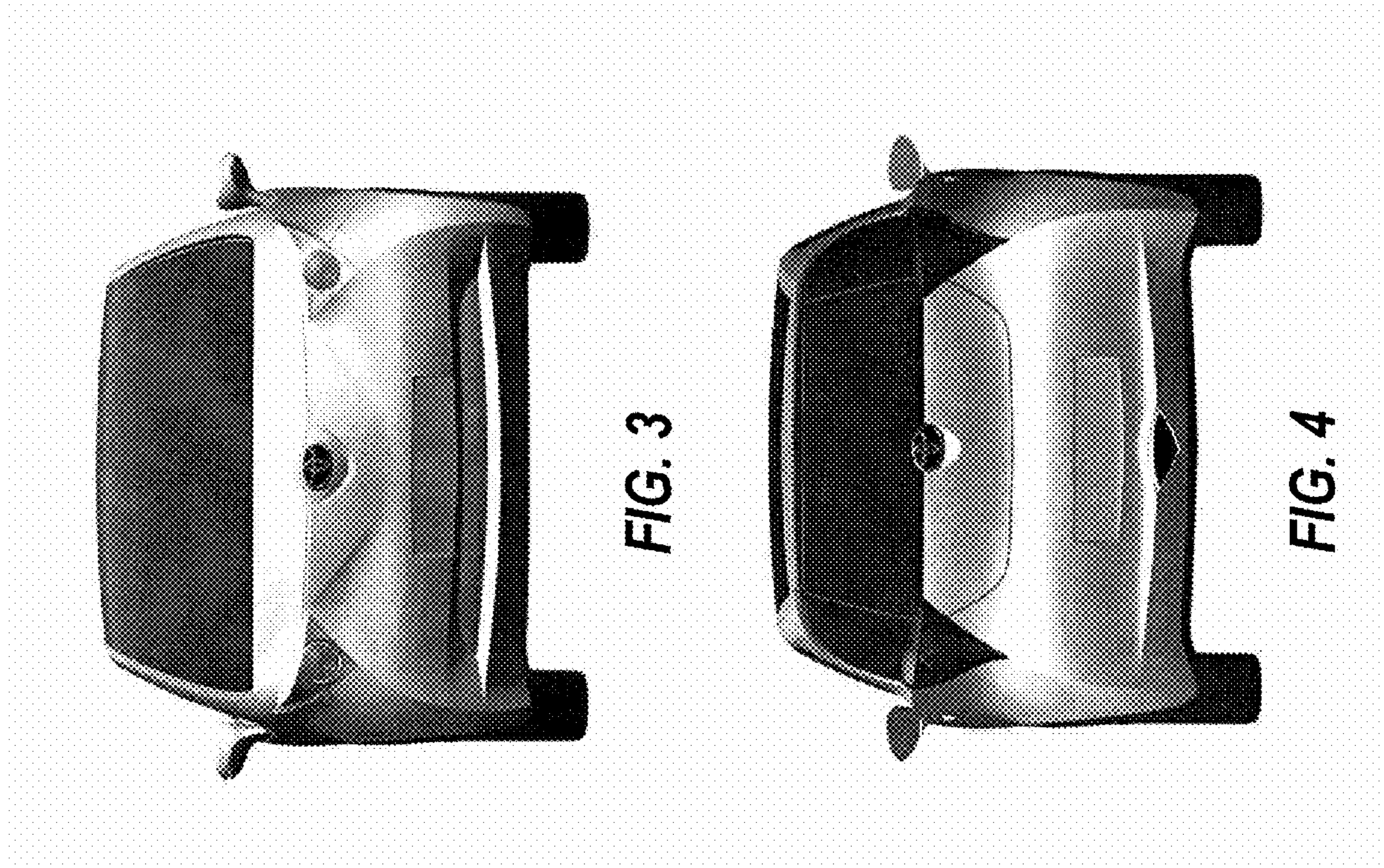
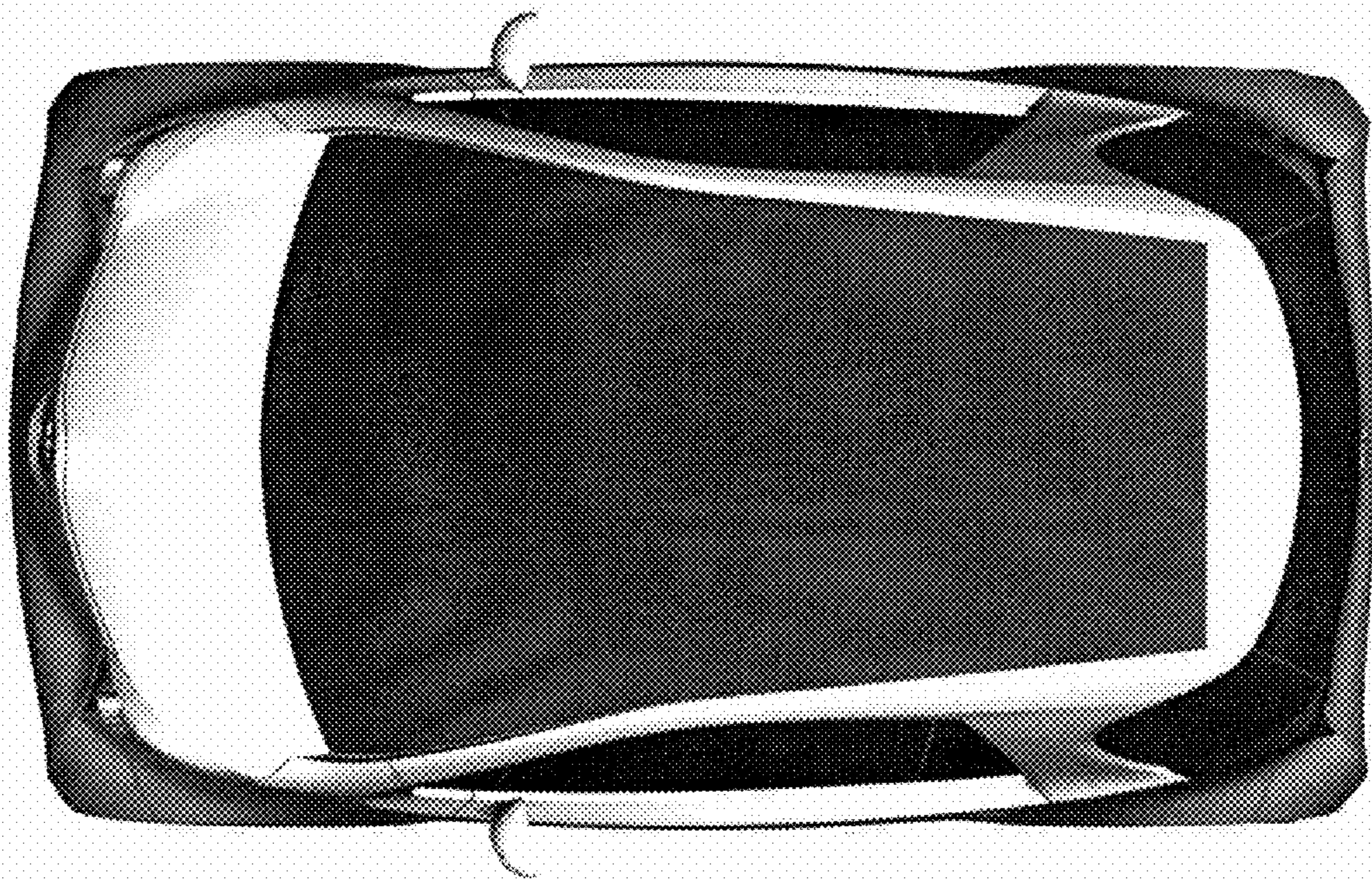
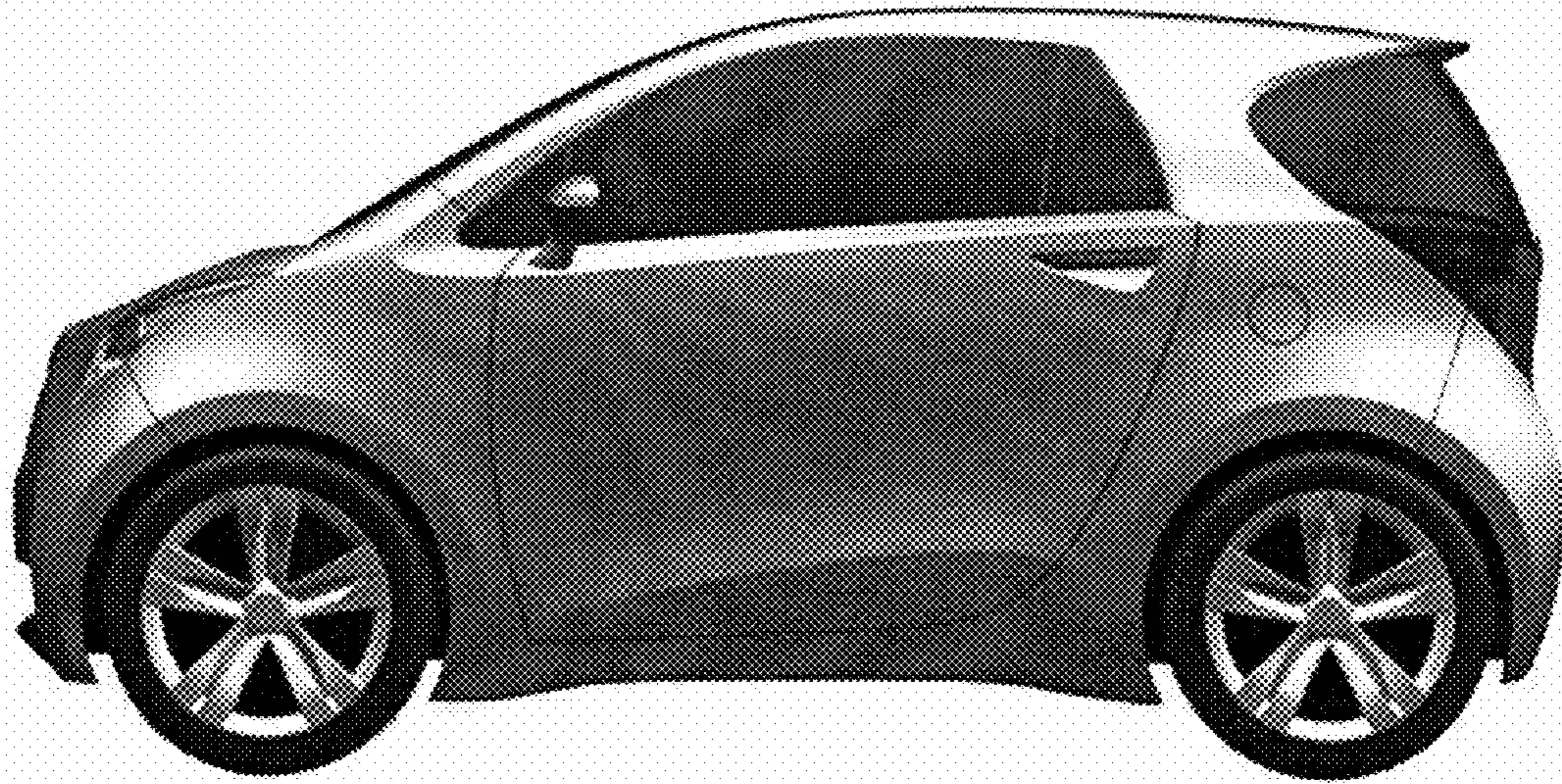


FIG. 3

FIG. 4



**FIG. 5**



**FIG. 6**