



US00D608247S

(12) **United States Design Patent**
Keyaki et al.

(10) **Patent No.:** **US D608,247 S**
(45) **Date of Patent:** **** Jan. 19, 2010**

(54) **SLIDER FOR SLIDE FASTENER**

D497,836 S 11/2004 Iwase
D579,379 S * 10/2008 Lin D11/221

(75) Inventors: **Keiichi Keyaki**, Kurobe (JP); **Yuichi Iwase**, Kurobe (JP)

* cited by examiner

(73) Assignee: **YKK Corporation**, Tokyo (JP)

Primary Examiner—R. Seifert

(74) *Attorney, Agent, or Firm*—Alston & Bird LLP

(**) Term: **14 Years**

(57) **CLAIM**

(21) Appl. No.: **29/332,526**

The ornamental design for a slider for slide fastener, as shown and described.

(22) Filed: **Feb. 18, 2009**

(30) **Foreign Application Priority Data**

DESCRIPTION

Sep. 4, 2008 (JP) 2008-022777

FIG. 1 is a perspective view of the front, top and right side of a slider for slide fastener showing our new design;

(51) **LOC (9) Cl.** **15-07**

FIG. 2 is front view thereof;

(52) **U.S. Cl.** **D11/221**

FIG. 3 is a rear view thereof;

(58) **Field of Classification Search** D11/200,
D11/201, 221; 24/381–383, 385–387, 414–417,
24/421–422, 427–431, 433; 2/265

FIG. 4 is a right side view thereof, the left side view being mirror image thereof;

See application file for complete search history.

FIG. 5 is a top plan view thereof;

FIG. 6 is a bottom view thereof;

(56) **References Cited**

FIG. 7 is a cross sectional view at 7—7 thereof; and,

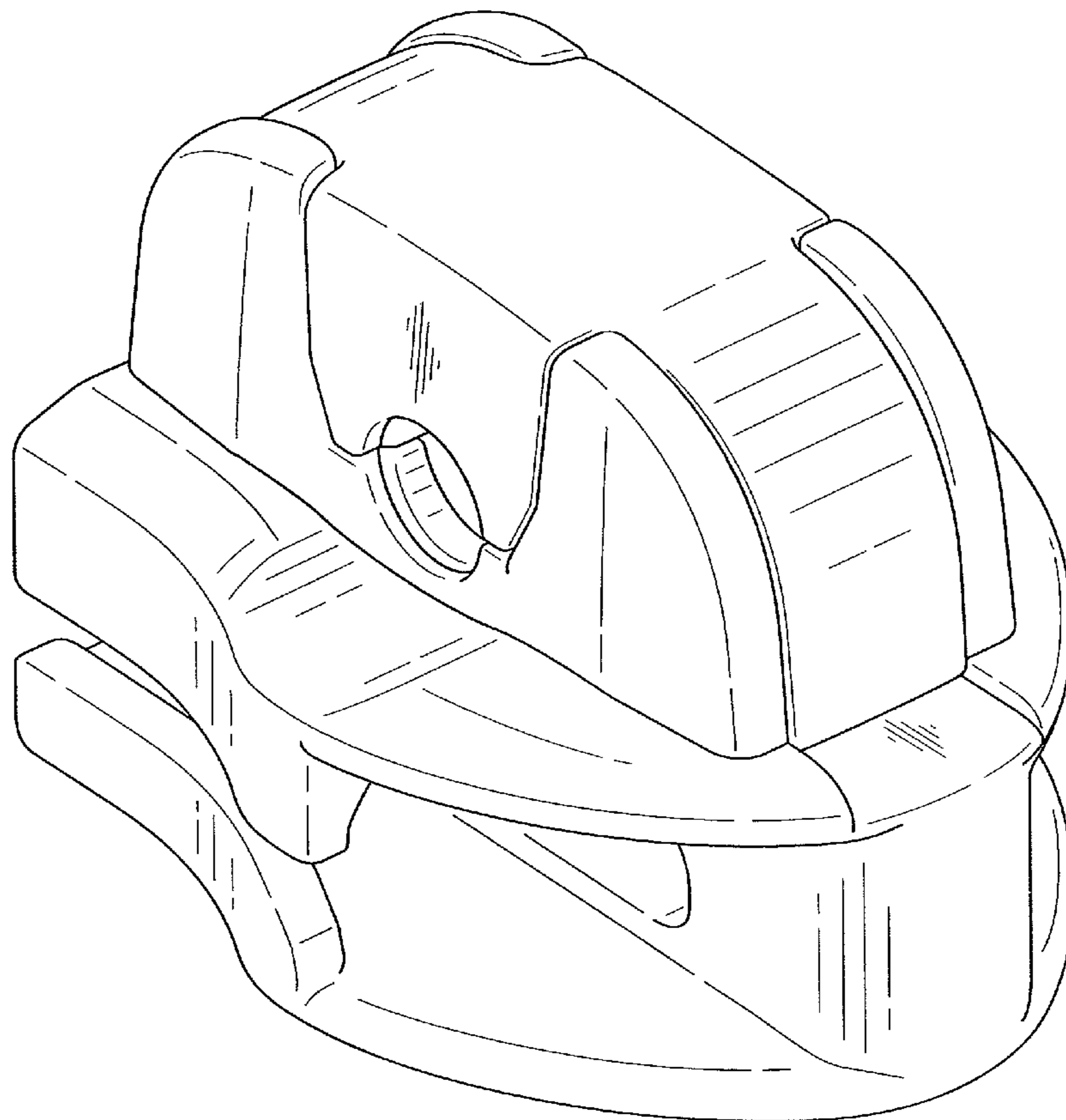
U.S. PATENT DOCUMENTS

FIG. 8 is a front reference view of usage thereof.

D291,671 S * 9/1987 Keyaki D11/221
5,864,928 A * 2/1999 Matsushima 24/421
D484,829 S * 1/2004 Yamamoto et al. D11/221
D497,835 S * 11/2004 Yoneoka et al. D11/221

The portion of the article in broken lines are shown for illustrative purposes only and form no part of the claimed design.

1 Claim, 8 Drawing Sheets



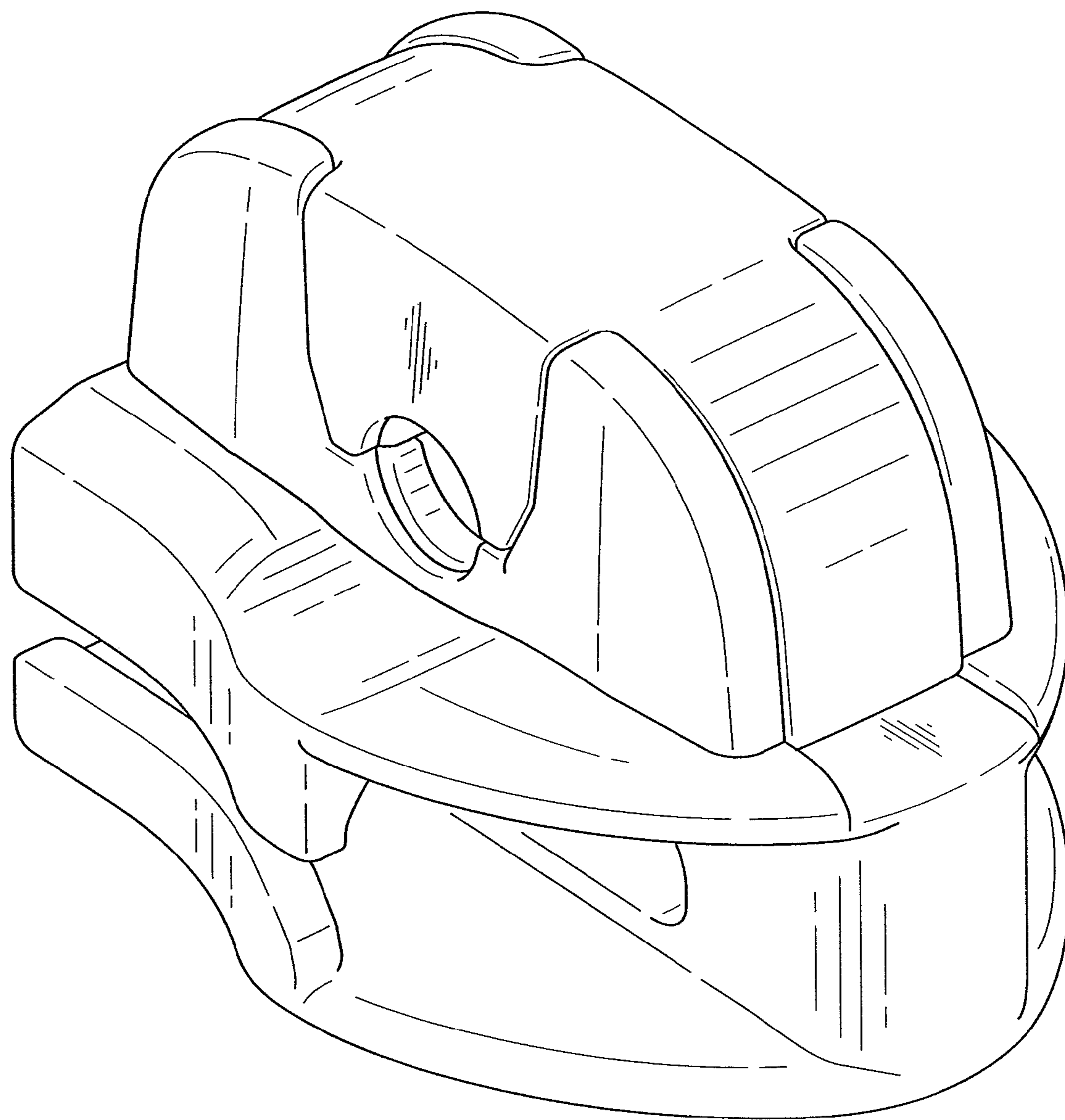


FIG. 1

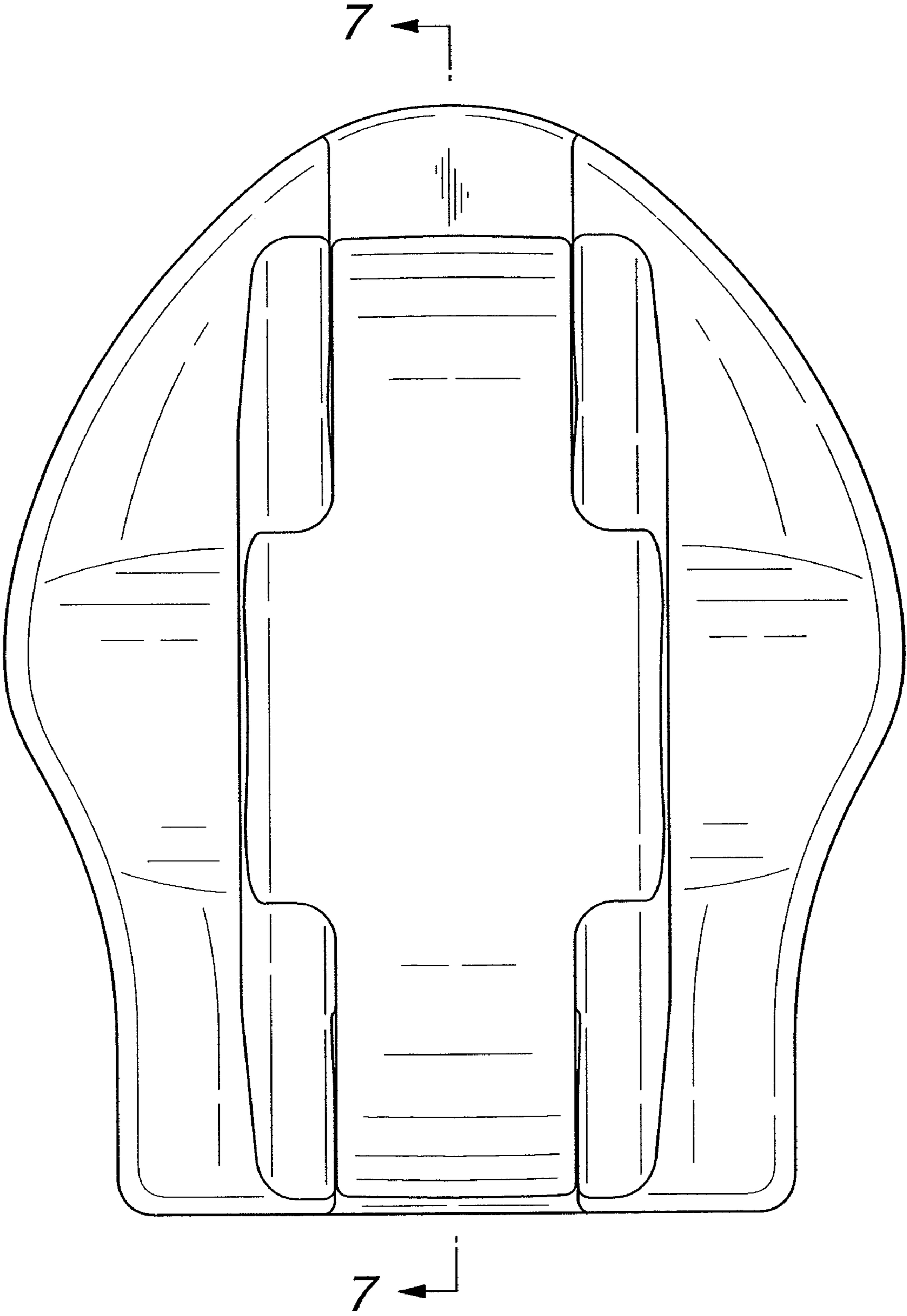


FIG. 2

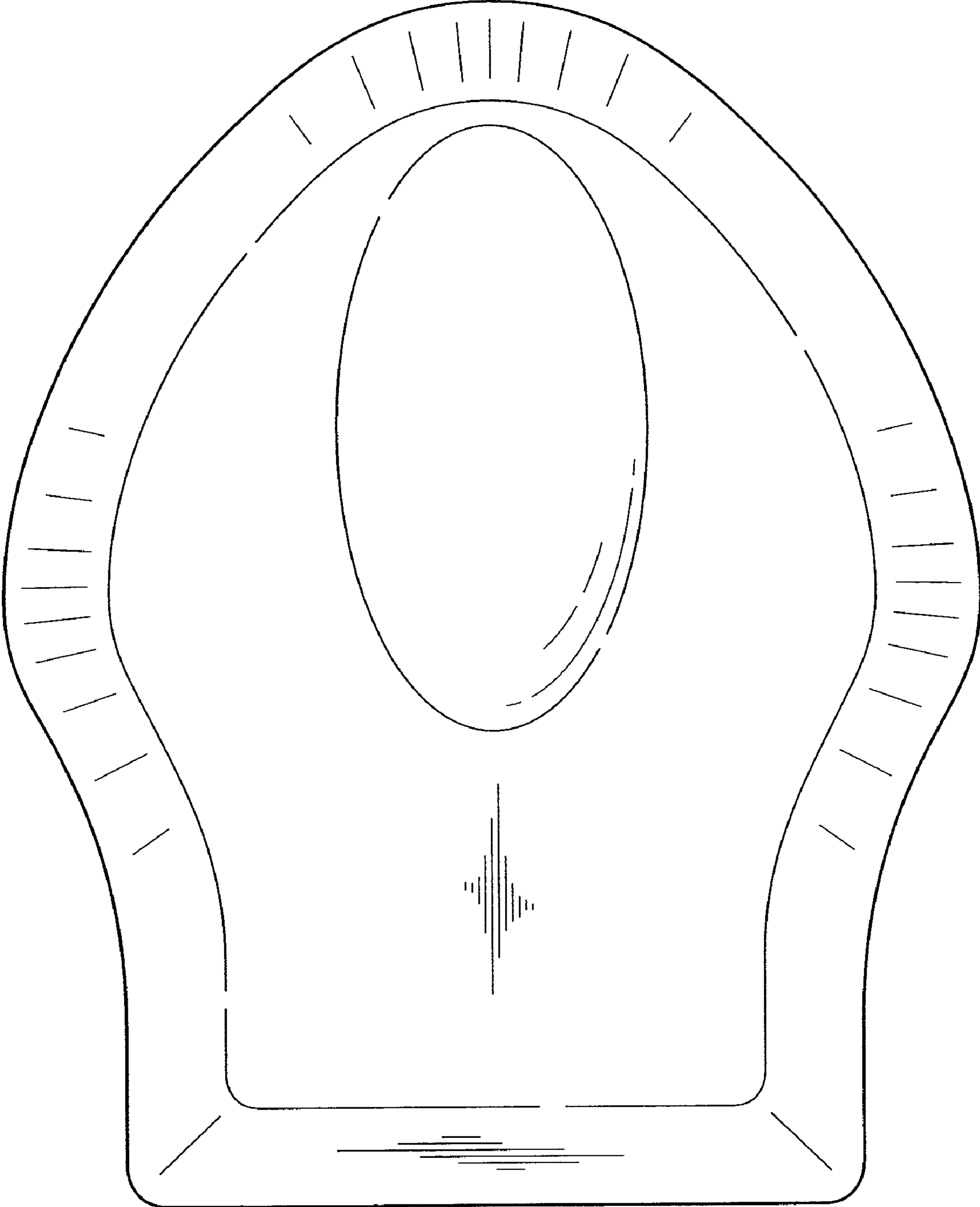


FIG. 3

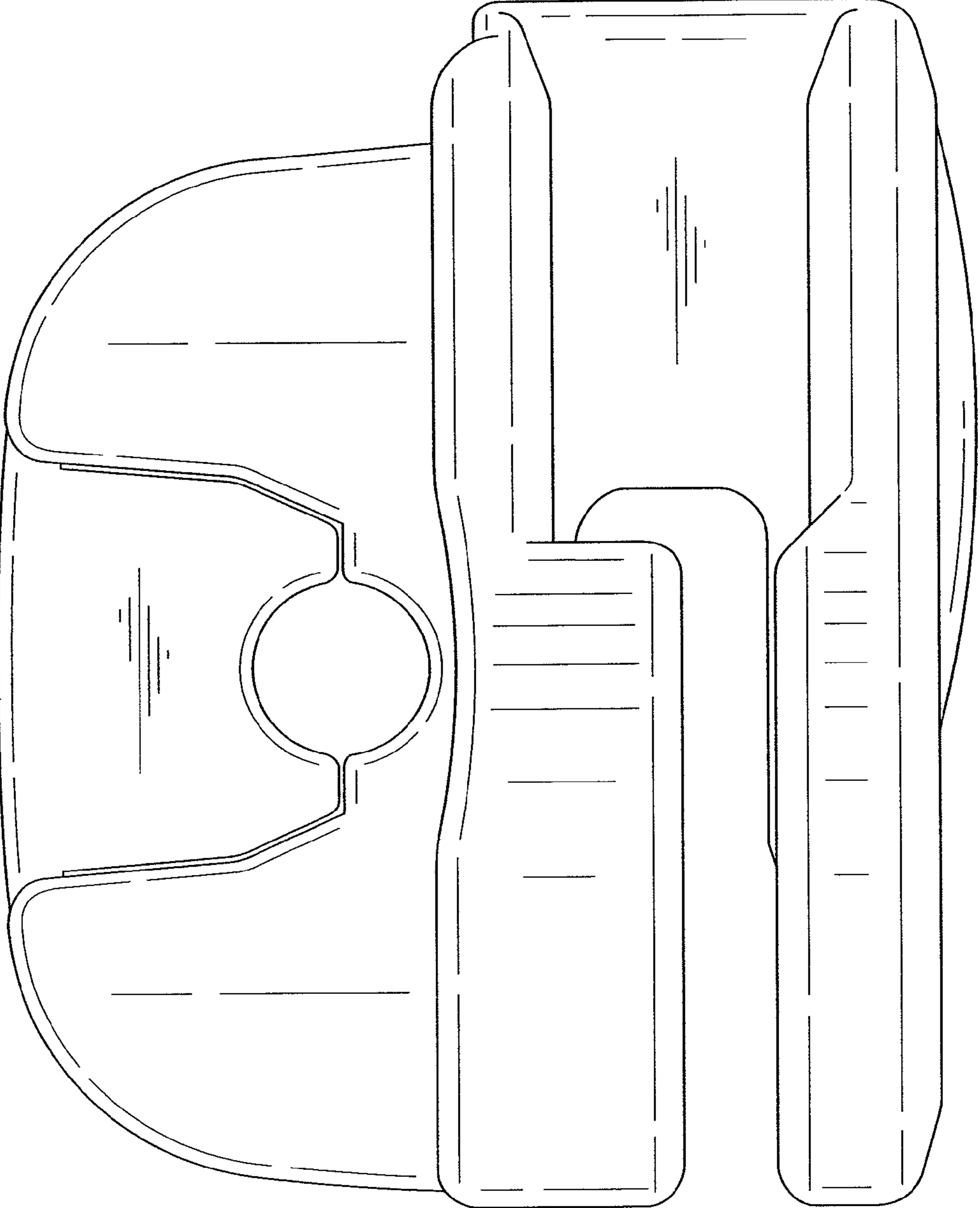


FIG. 4

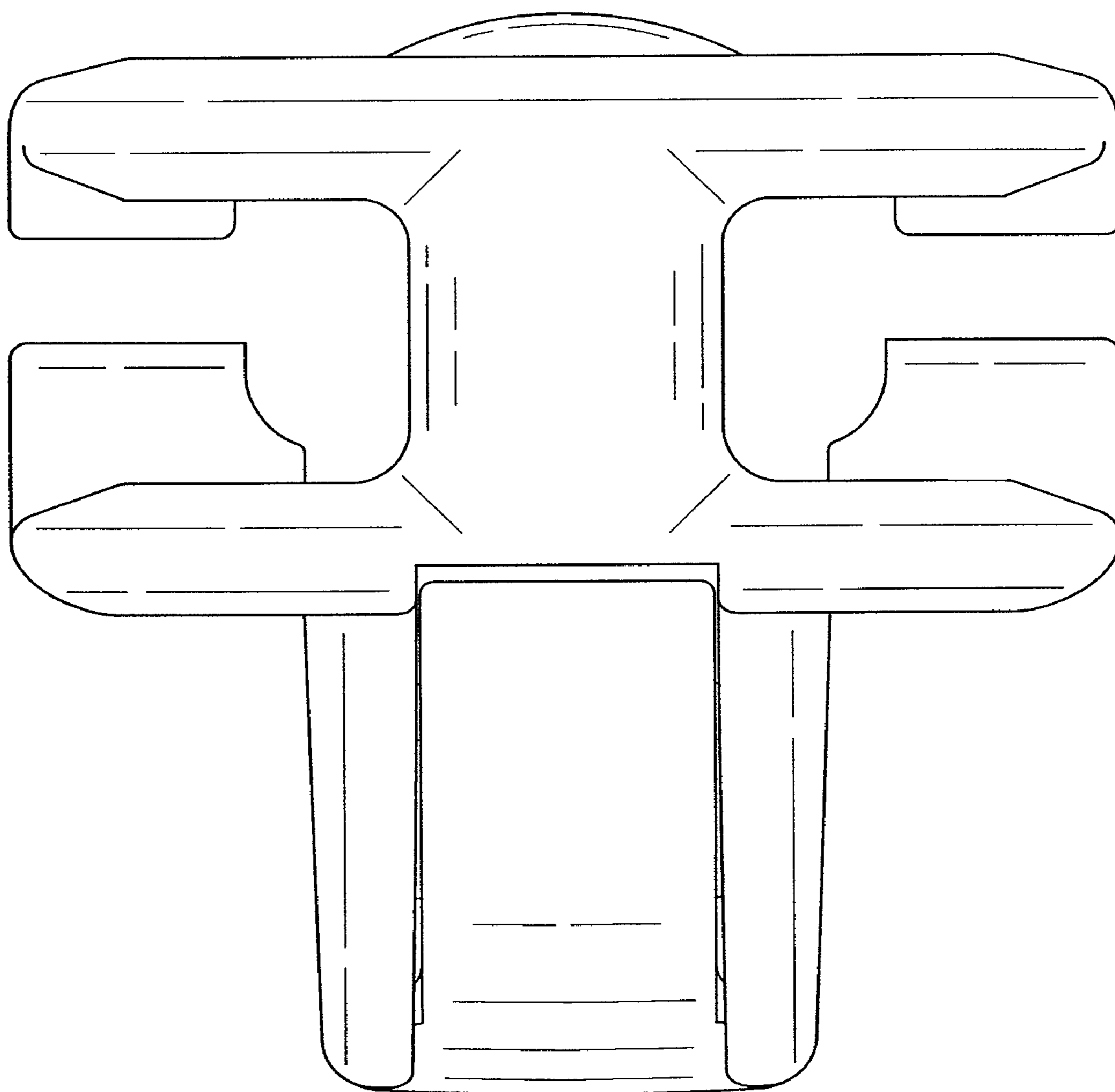


FIG. 5

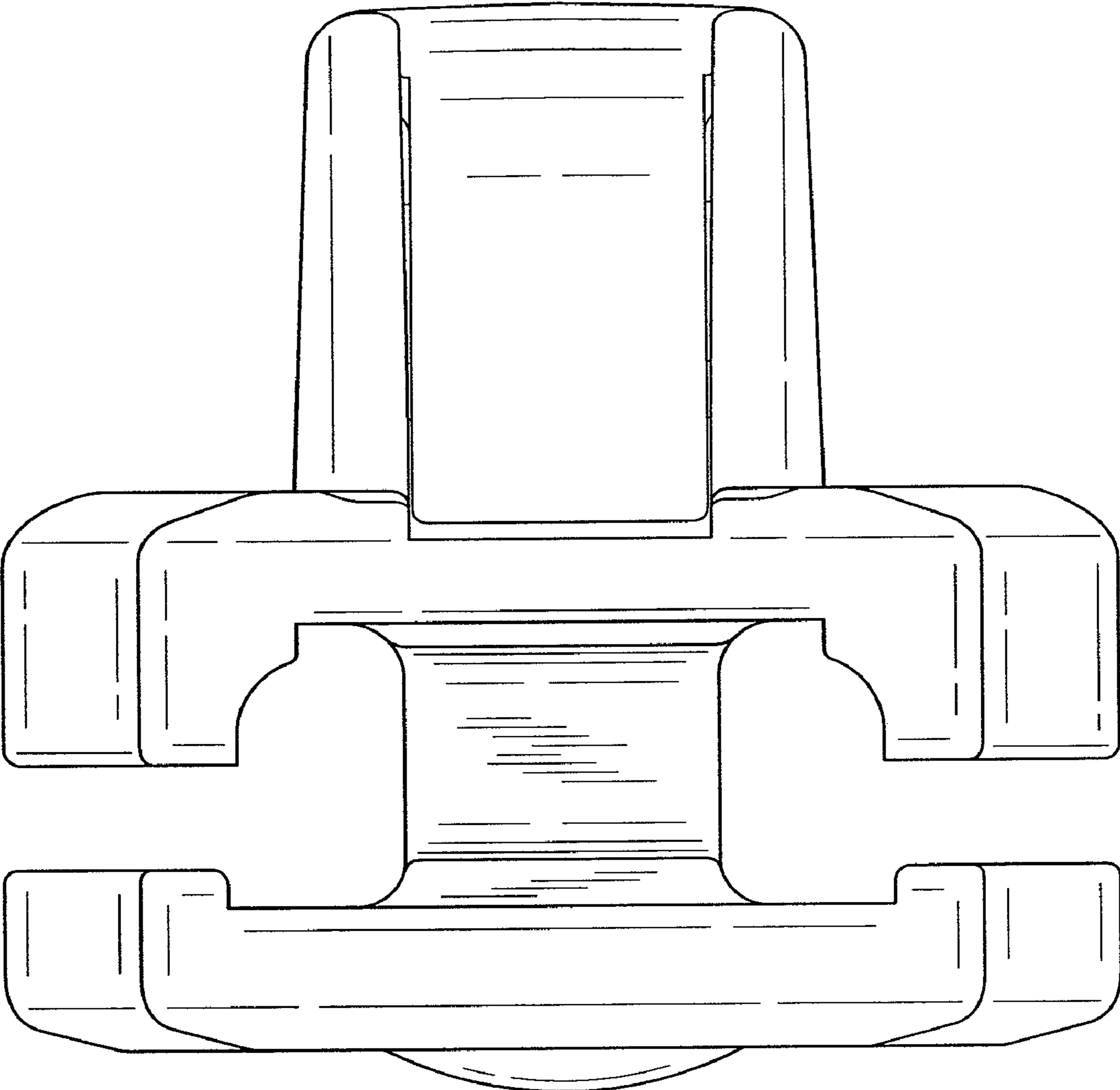


FIG. 6

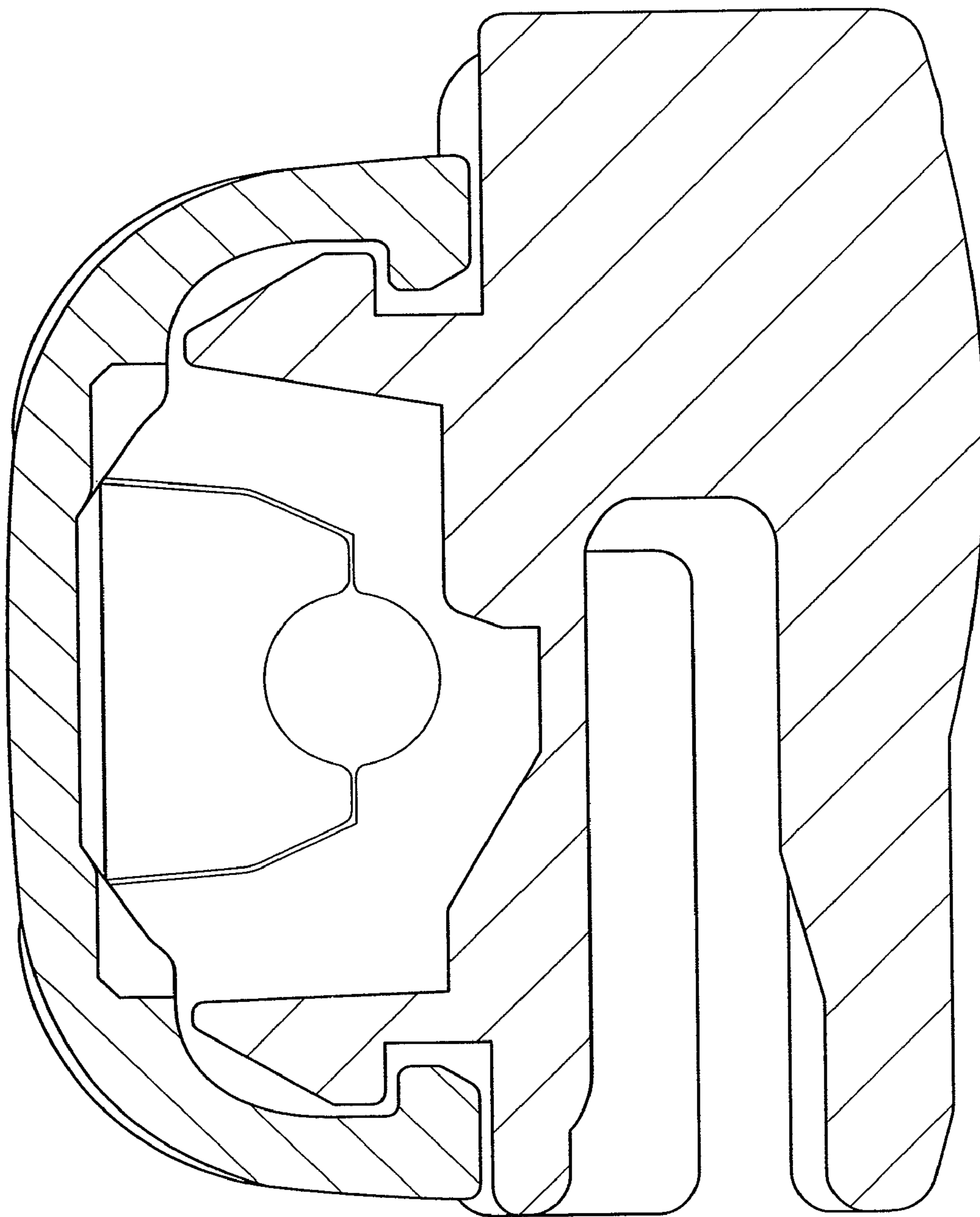


FIG. 7

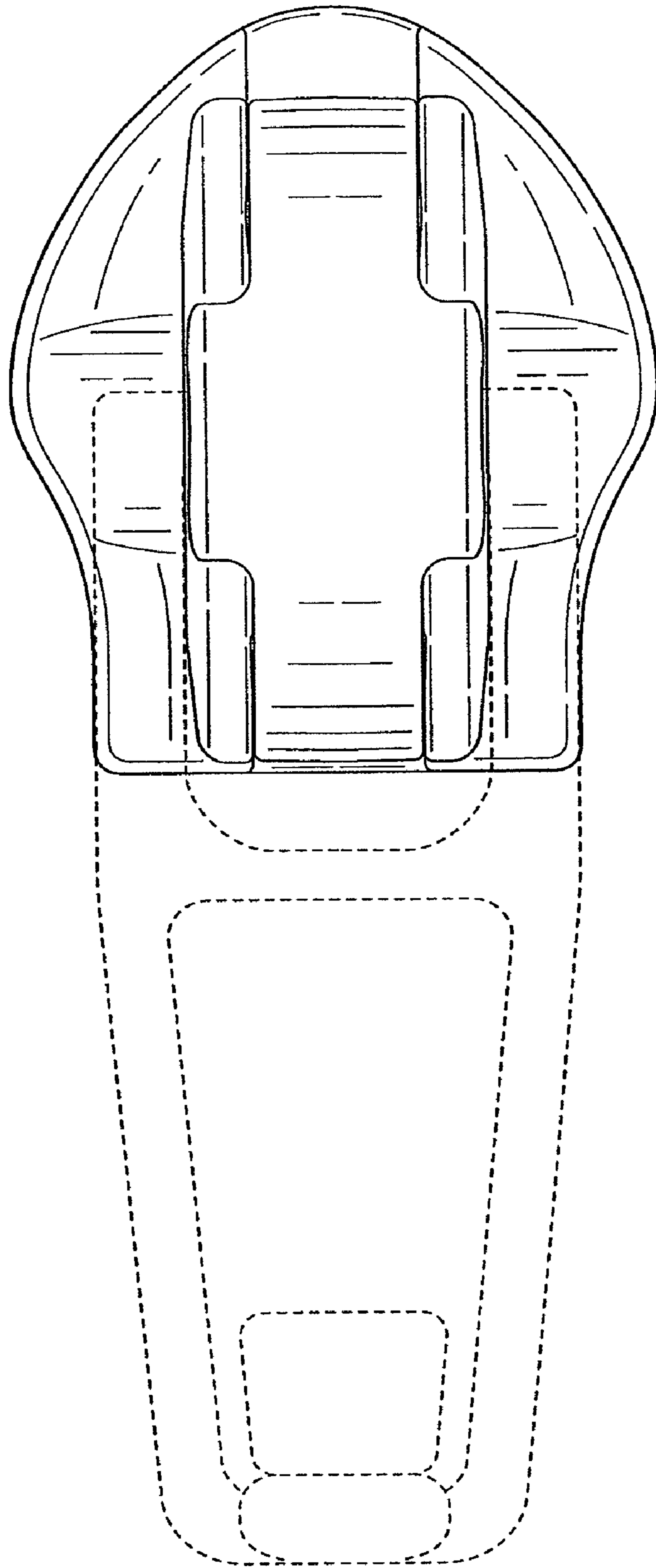


FIG. 8