



US00D608243S

(12) **United States Design Patent**
Di Girolami

(10) **Patent No.:** **US D608,243 S**
(45) **Date of Patent:** **** Jan. 19, 2010**

(54) **SLIDER FOR A ZIPPER**

6,510,593 B1 * 1/2003 Kim 24/418

(75) Inventor: **Massimiliano Di Girolami**, Ascoli
Piceno (IT)

FOREIGN PATENT DOCUMENTS

JP 566844 12/1981
JP 1314702 11/2007
JP 1314704 11/2007

(73) Assignee: **YKK Corporation**, Tokyo (JP)

* cited by examiner

(**) Term: **14 Years**

Primary Examiner—R. Seifert

(21) Appl. No.: **29/322,859**

(74) *Attorney, Agent, or Firm*—Alston & Bird LLP

(22) Filed: **Aug. 13, 2008**

(57) **CLAIM**

(30) **Foreign Application Priority Data**

The ornamental design for a slider for a zipper, as shown and described.

Mar. 3, 2008 (EM) 000889944

DESCRIPTION

(51) **LOC (9) Cl.** **15-07**

FIG. 1 is a front view of a slider for a zipper of the claimed design.

(52) **U.S. Cl.** **D11/221**

FIG. 2 is a rear view of the slider of FIG. 1.

(58) **Field of Classification Search** D11/200,
D11/201, 221; 24/381–383, 385–387, 414–417,
24/421–422, 427–431, 433; 2/265

FIG. 3 is a left side view of the slider of FIG. 1.

See application file for complete search history.

FIG. 4 is a right side view of the slider of FIG. 1.

FIG. 5 is a plan view of the slider of FIG. 1.

(56) **References Cited**

FIG. 6 is a base view of the slider of FIG. 1; and,

FIG. 7 is a perspective view of the slider of FIG. 1.

U.S. PATENT DOCUMENTS

D114,268 S * 4/1939 Poux D11/221
2,166,905 A * 7/1939 Poux 24/421
D117,823 S * 11/1939 Poux D11/221

1 Claim, 3 Drawing Sheets

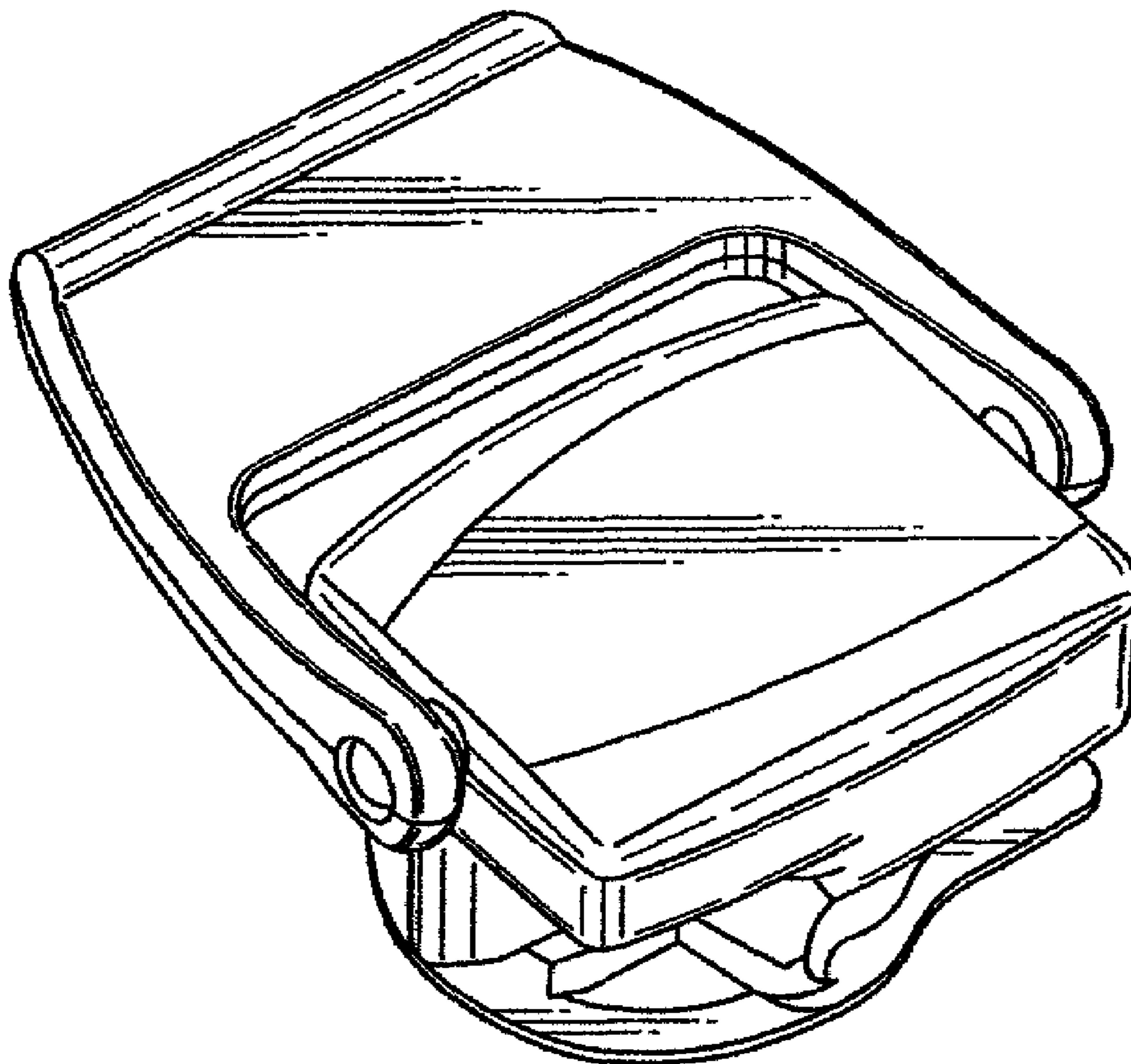


FIG. 1

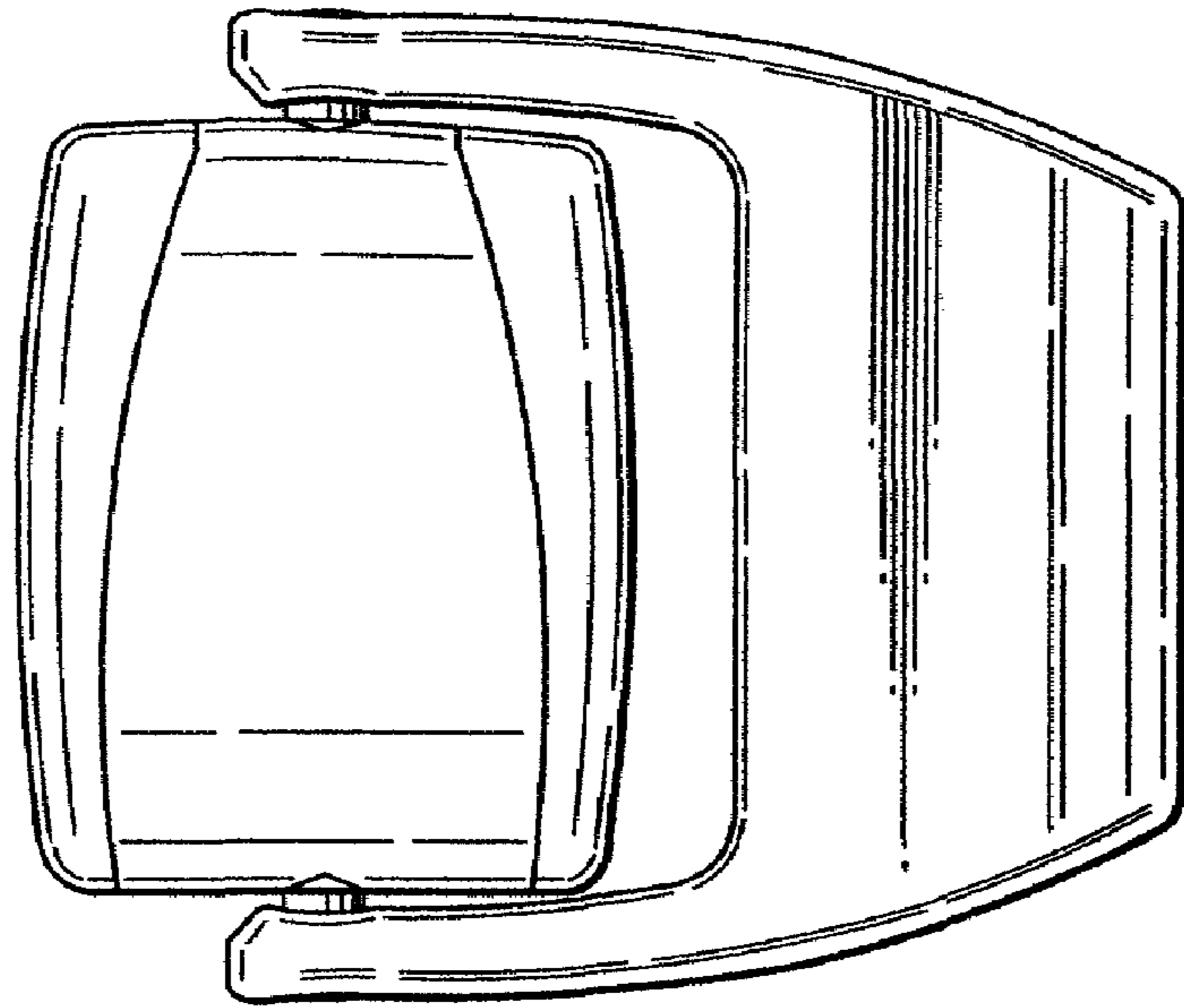


FIG. 2

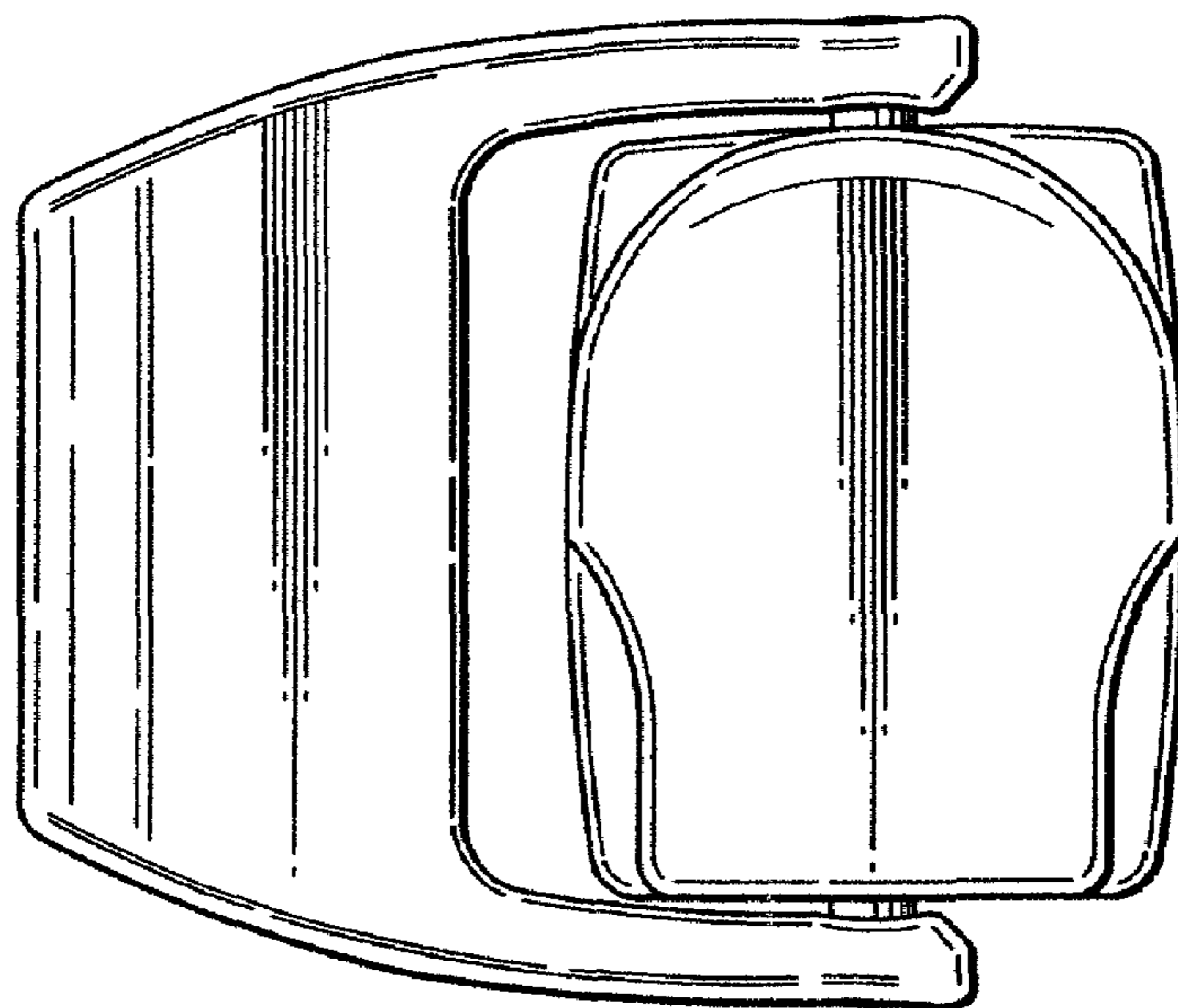


FIG. 3

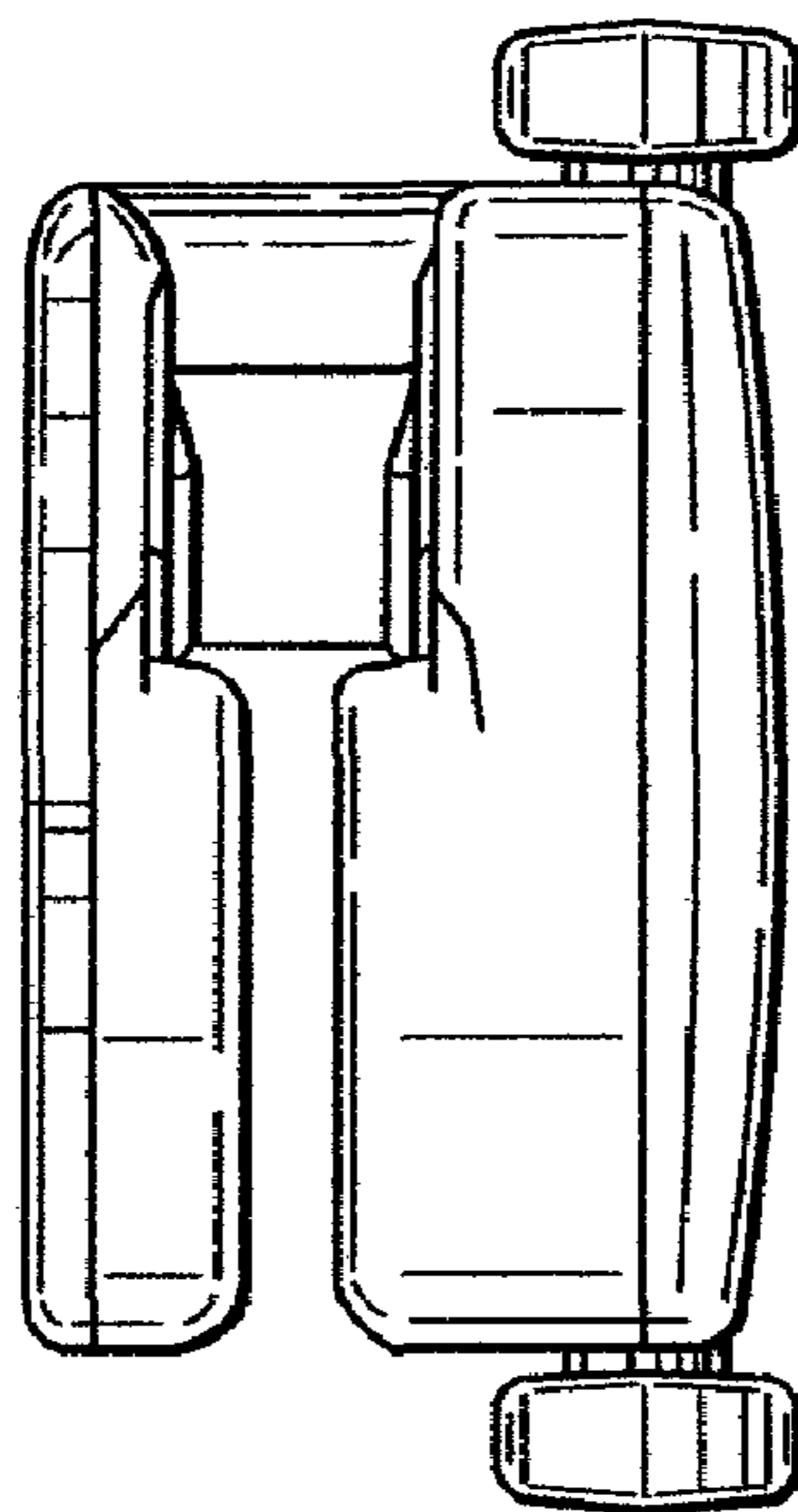


FIG. 4

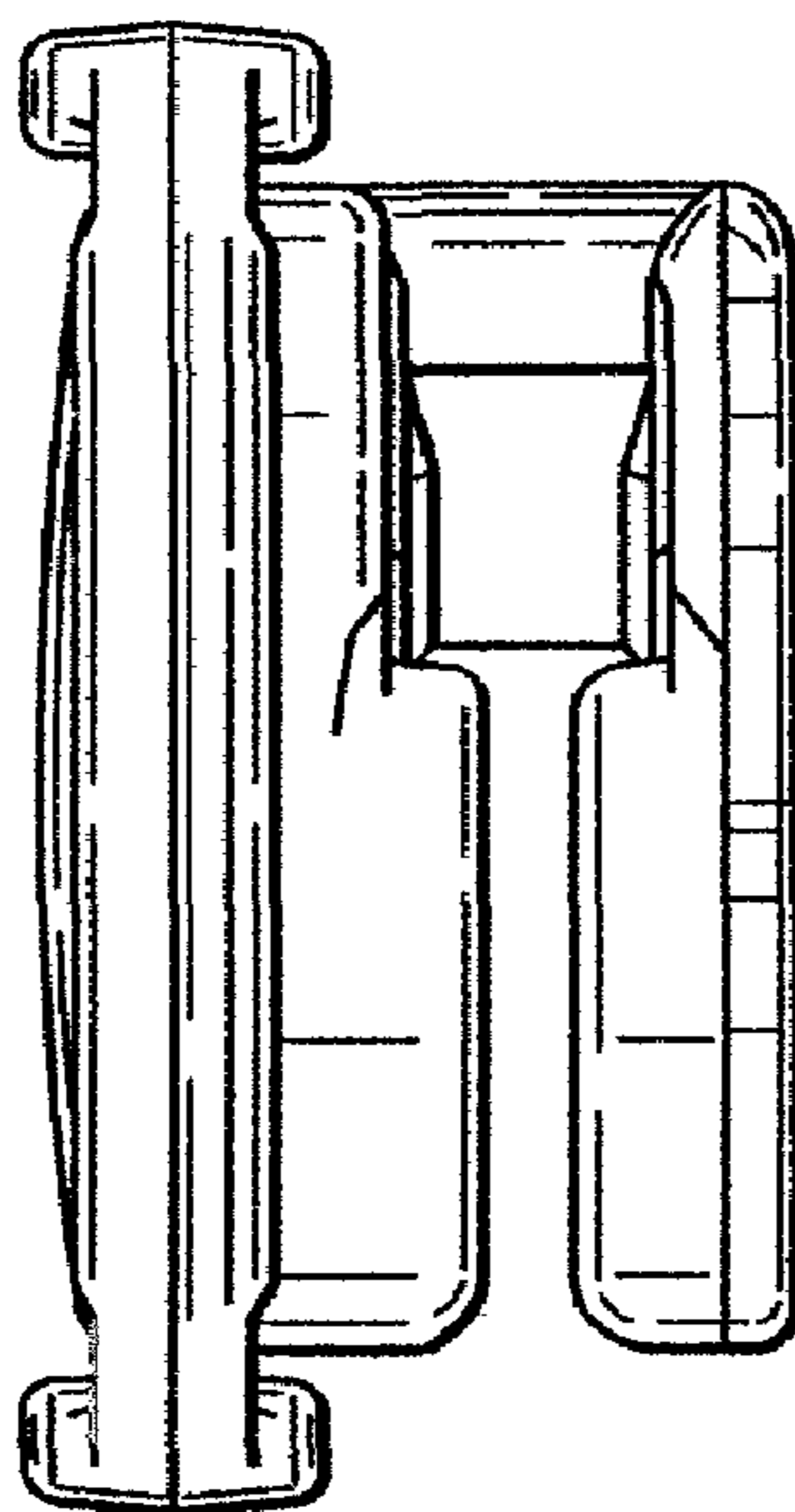


FIG. 5

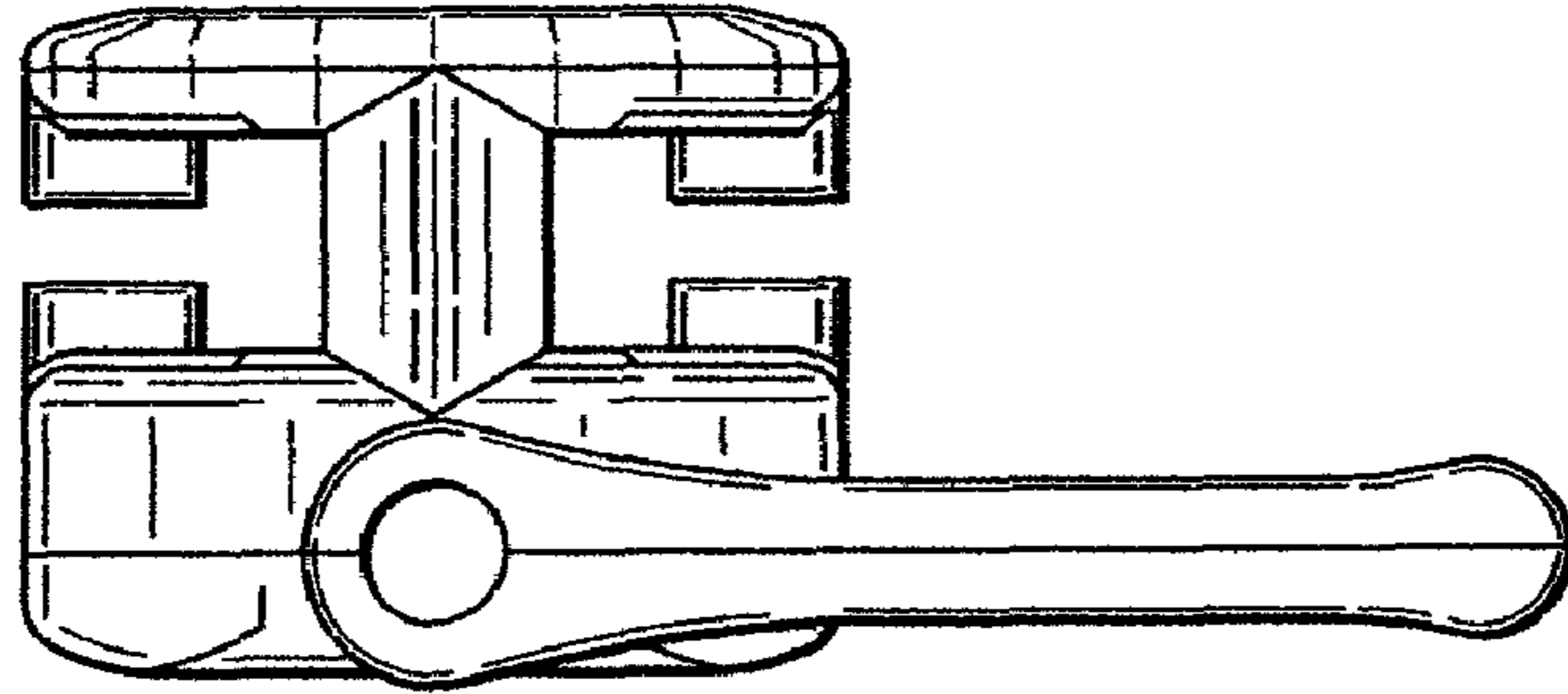


FIG. 6

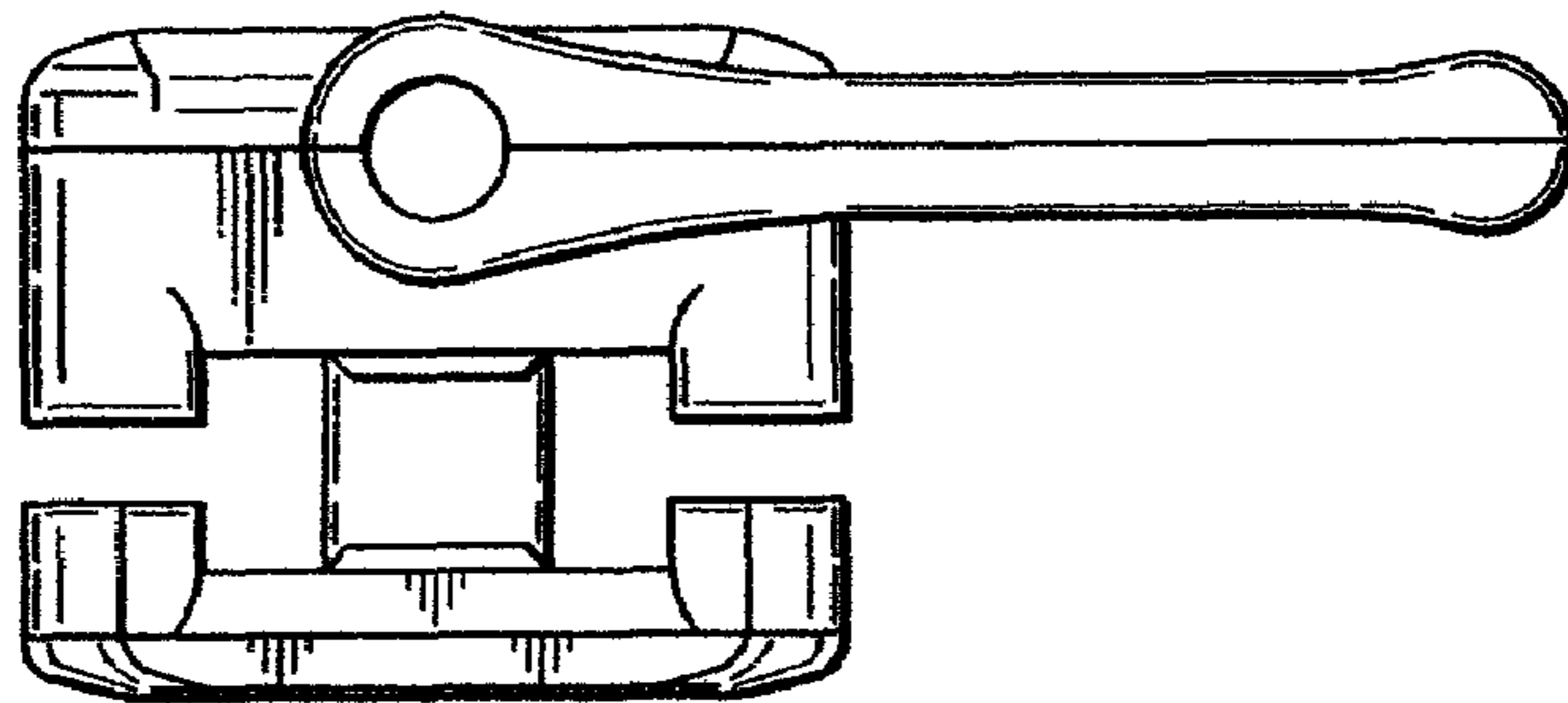
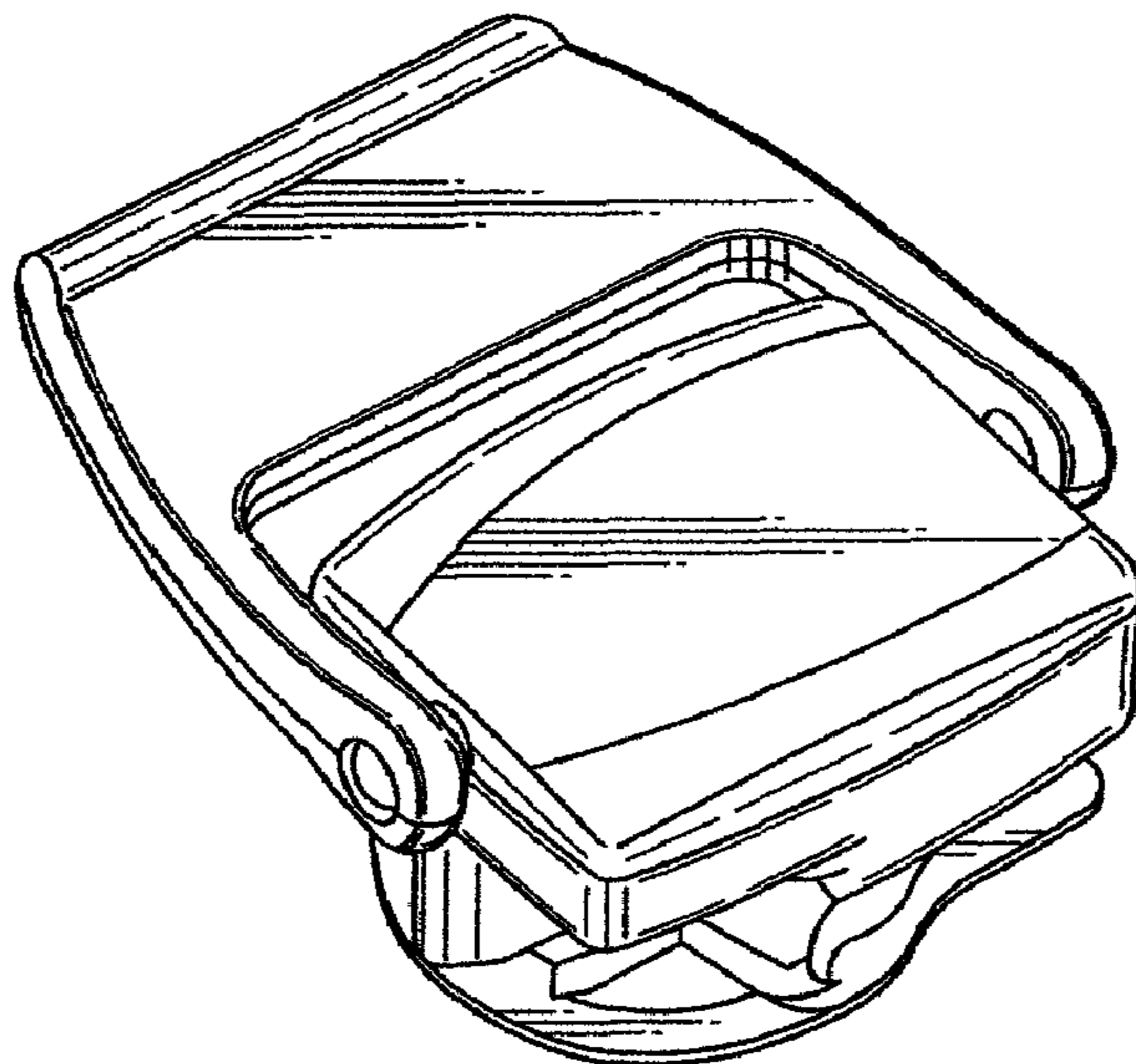


FIG. 7



UNITED STATES PATENT AND TRADEMARK OFFICE
CERTIFICATE OF CORRECTION

PATENT NO. : Des. 608,243 S
APPLICATION NO. : 29/322859
DATED : January 19, 2010
INVENTOR(S) : Di Girolami

Page 1 of 1

It is certified that error appears in the above-identified patent and that said Letters Patent is hereby corrected as shown below:

Title Page.

Item (30) **Foreign Application Priority Data**, “(EM)” should read --(EU)--.

Signed and Sealed this

Twenty-seventh Day of April, 2010

A handwritten signature in black ink that reads "David J. Kappos". The signature is written in a cursive, flowing style.

David J. Kappos
Director of the United States Patent and Trademark Office