



US00D608235S

(12) **United States Design Patent**
Ishikawa

(10) **Patent No.:** **US D608,235 S**
(45) **Date of Patent:** **** Jan. 19, 2010**

(54) **WARNING SIGNAL LIGHT**

(75) Inventor: **Seika Ishikawa**, Osaka (JP)

(73) Assignee: **Arrow Co., Ltd.**, Osaka (JP)

(**) Term: **14 Years**

(21) Appl. No.: **29/336,176**

(22) Filed: **Apr. 29, 2009**

(30) **Foreign Application Priority Data**

Oct. 31, 2008 (JP) 2008-029757

(51) **LOC (9) Cl.** **10-05**

(52) **U.S. Cl.** **D10/114**

(58) **Field of Classification Search** D10/109,
D10/111, 113, 114, 104, 106, 115; D26/28-31,
D26/60; 362/359-368, 475-478, 485-487;
D14/440, 441, 141.1, 159

See application file for complete search history.

(56) **References Cited**

U.S. PATENT DOCUMENTS

D116,170 S * 8/1939 Rittenhouse D10/104

D288,245 S * 2/1987 Corder et al. D26/26

D313,569 S * 1/1991 Allard et al. D10/114

D375,180 S * 10/1996 Lyons D26/28

* cited by examiner

Primary Examiner—Caron Veynar

Assistant Examiner—George D Kirschbaum

(74) *Attorney, Agent, or Firm*—Dennis R. Haszko; Eaton Peabody Patent Group, LLC

(57) **CLAIM**

The ornamental design for a warning signal light, as shown and described.

DESCRIPTION

FIG. 1 is a front view of the warning signal light;

FIG. 2 is a rear view thereof;

FIG. 3 is a right side view thereof;

FIG. 4 is a plan view thereof;

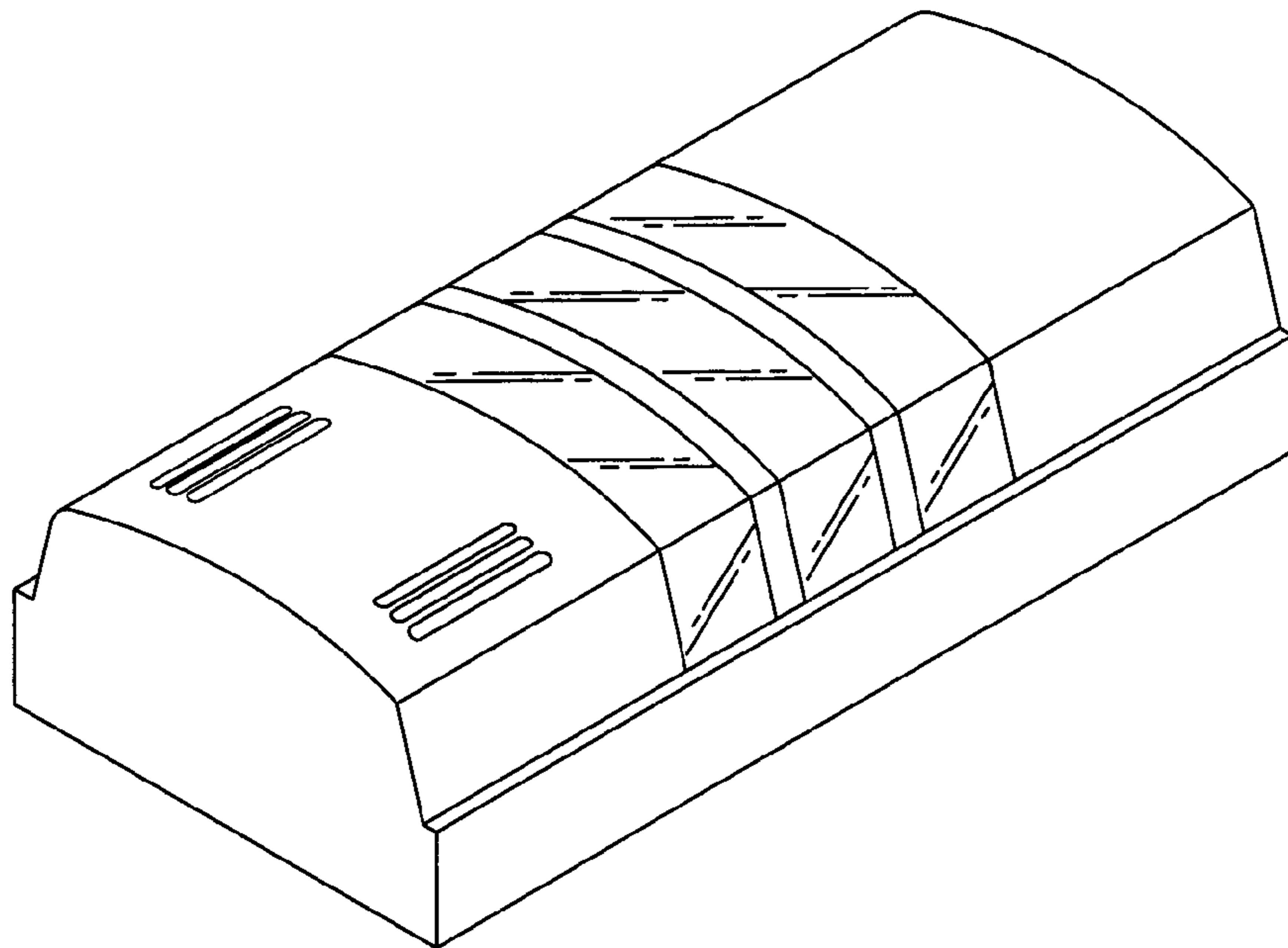
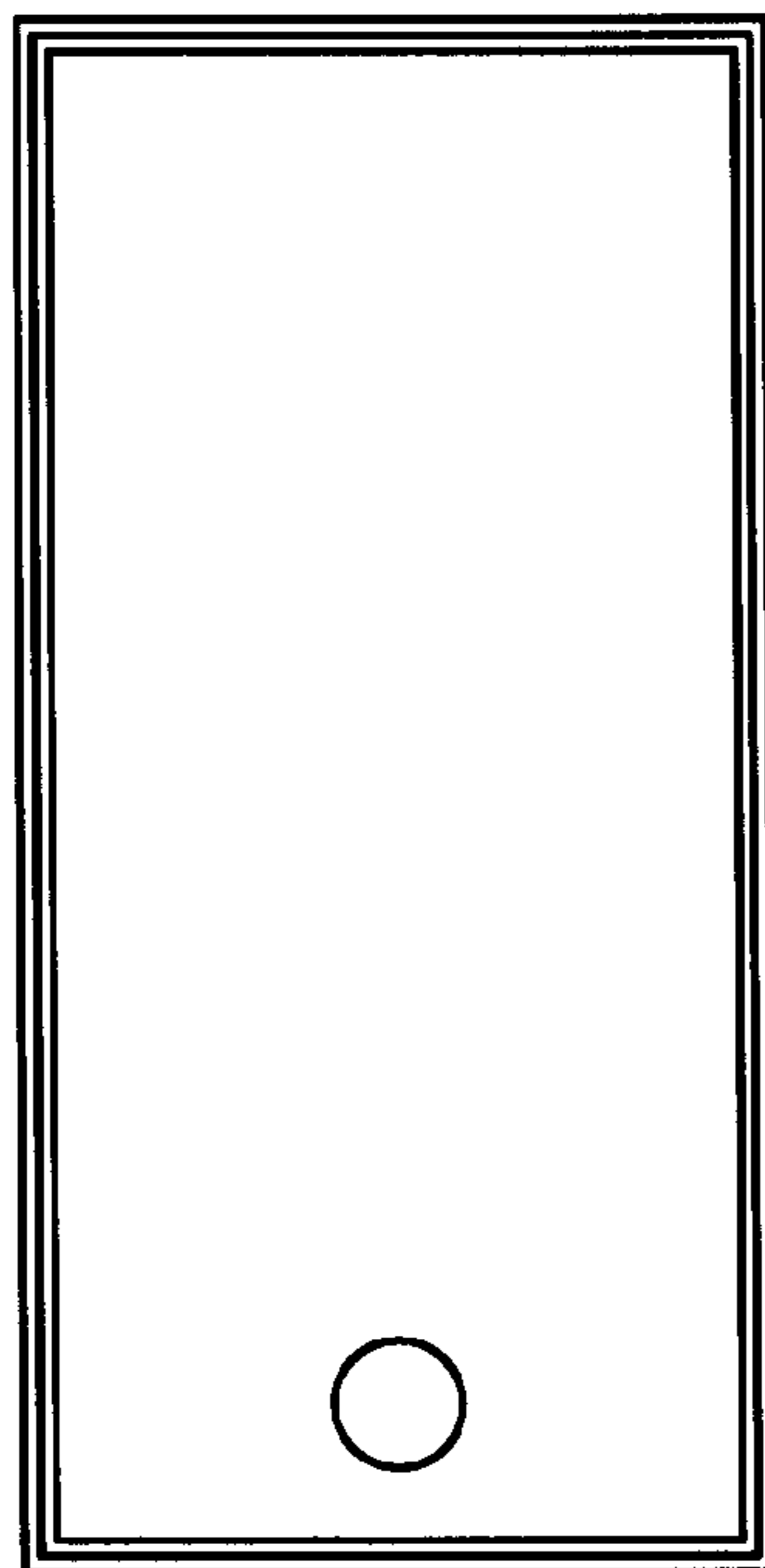
FIG. 5 is a sectional view of A—A of FIG. 1 showing the inside mechanics omitted;

FIG. 6 is a sectional view of B—B of FIG. 1 showing the inside mechanics omitted;

FIG. 7 is a sectional view of C—C of FIG. 1 showing the inside mechanics omitted; and,

FIG. 8 is a perspective view thereof.

1 Claim, 4 Drawing Sheets



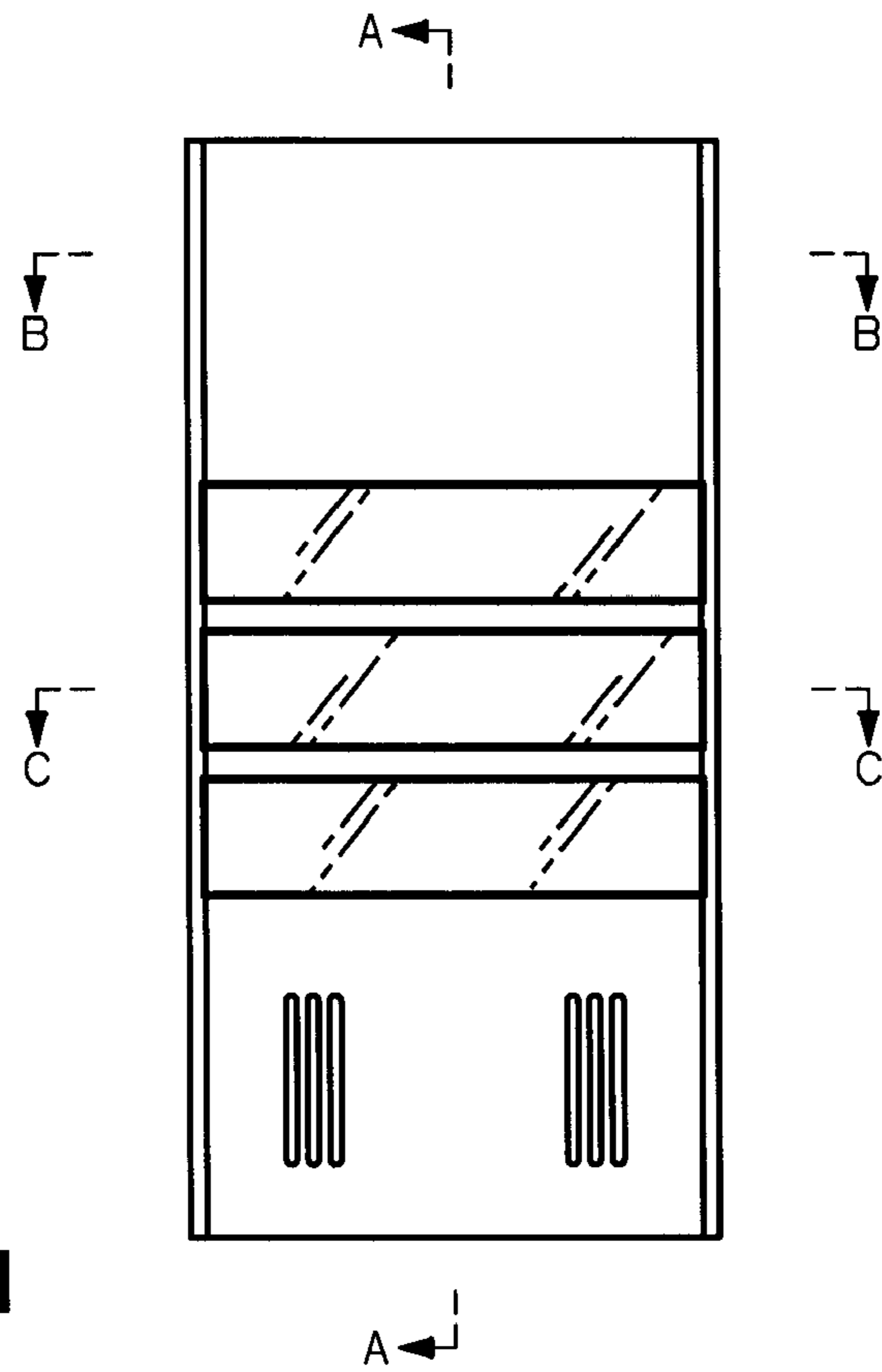


FIG. 1

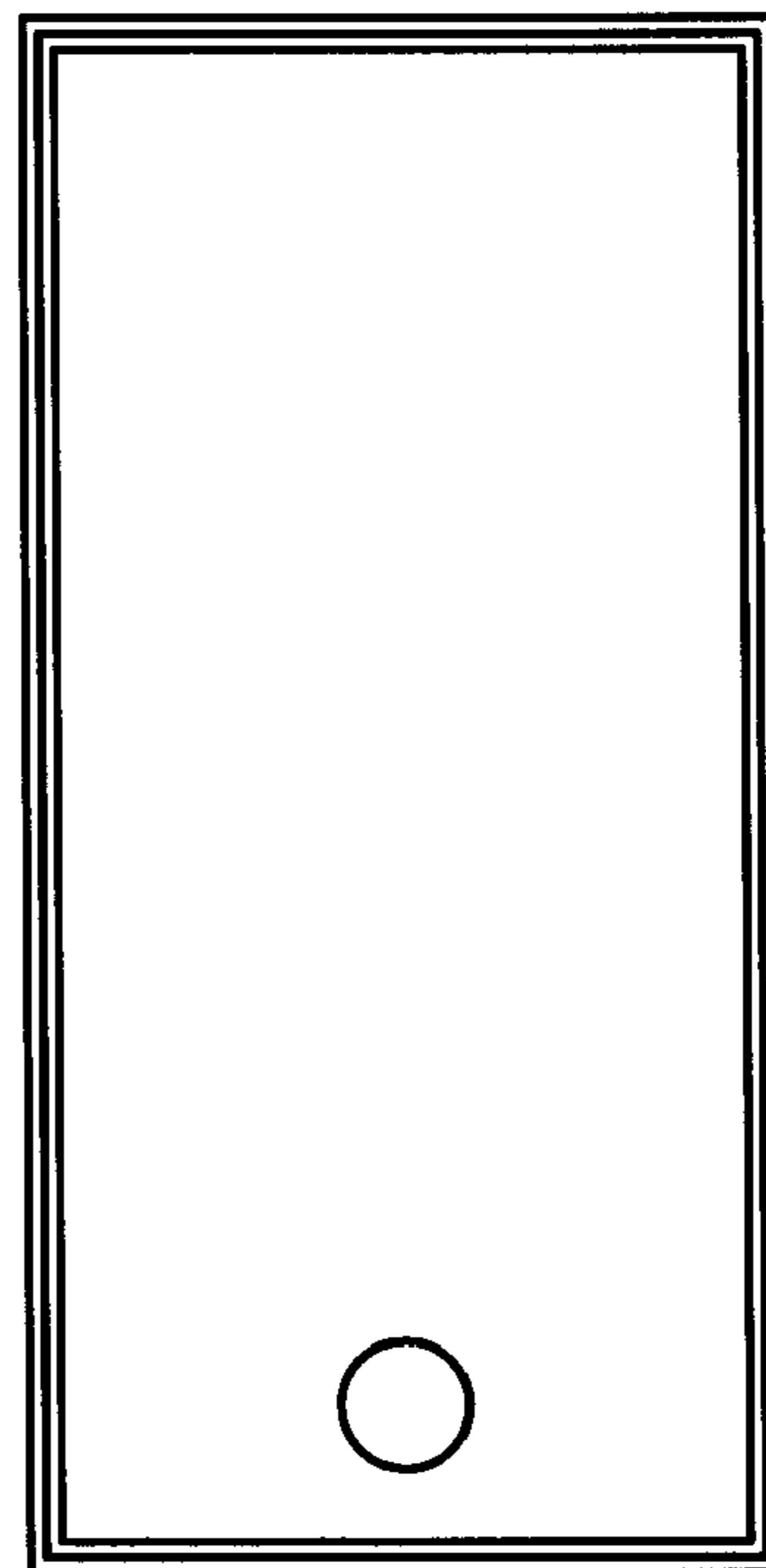


FIG. 2

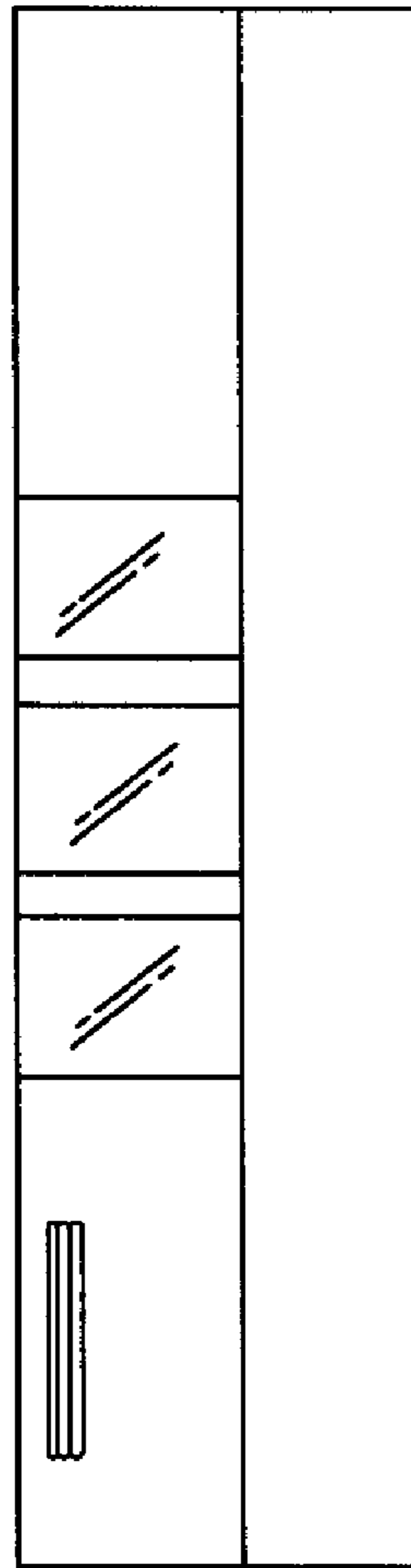


FIG. 3

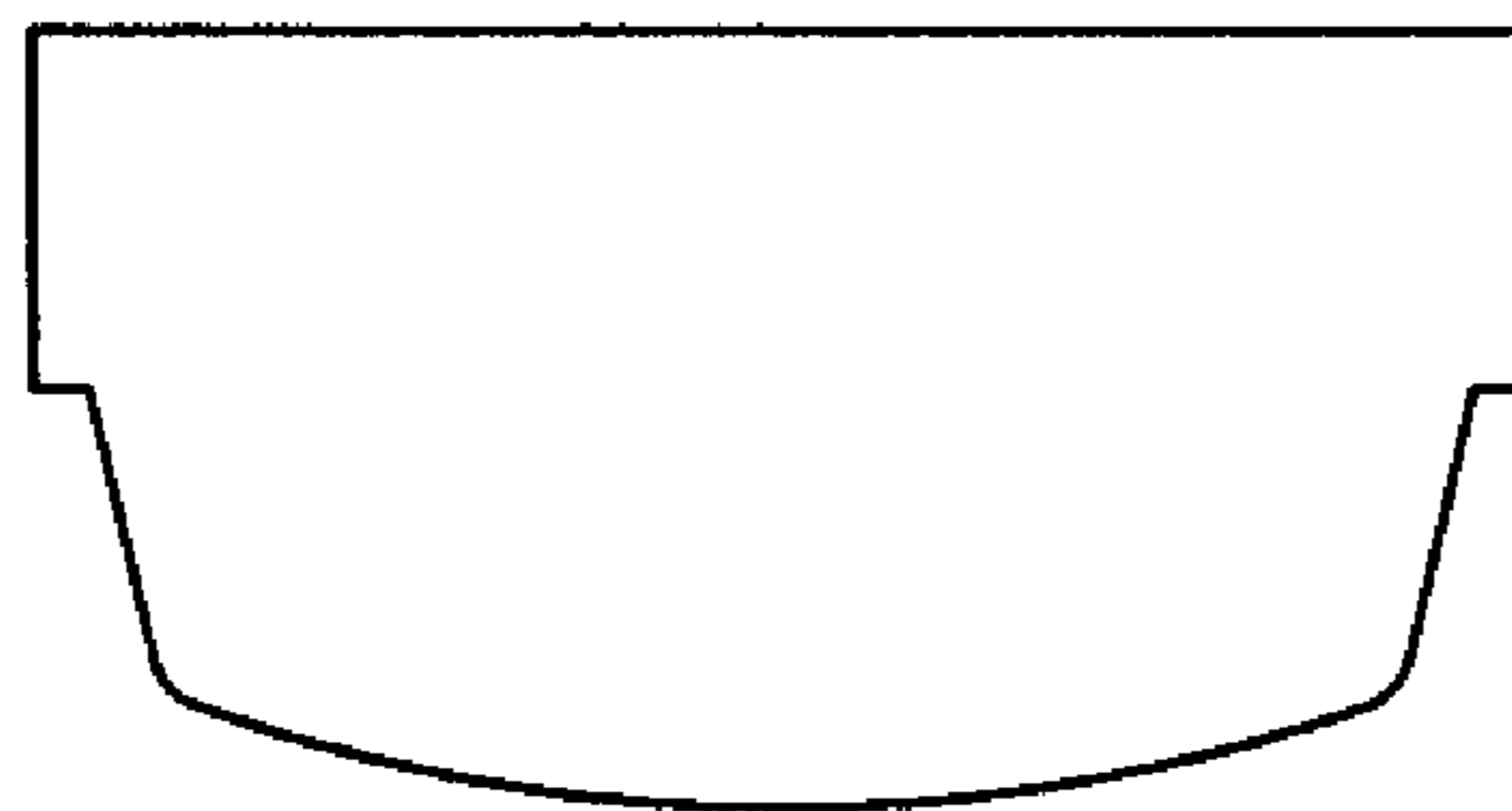


FIG. 4

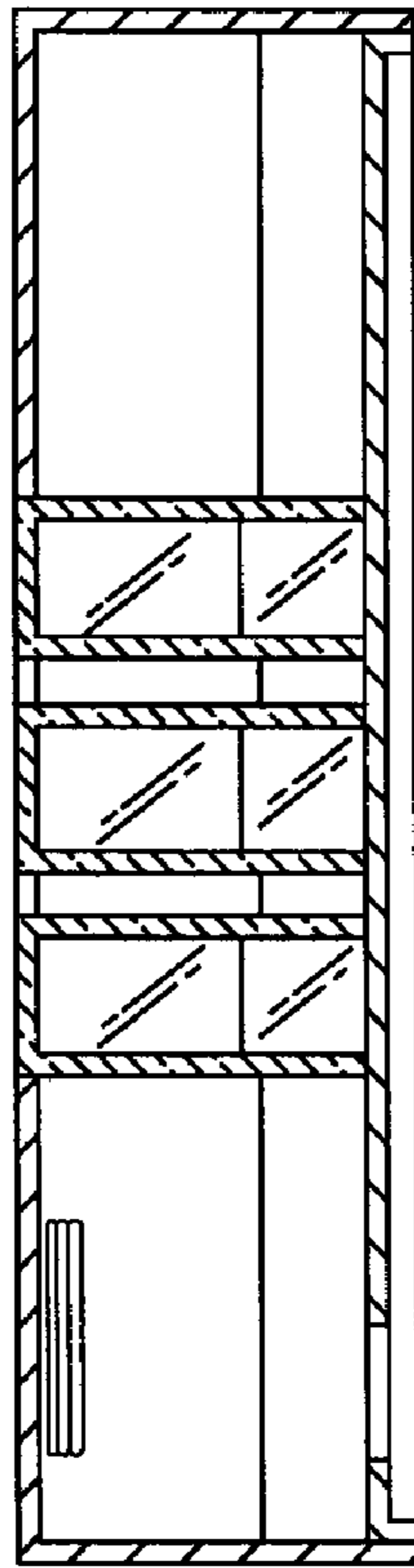


FIG. 5

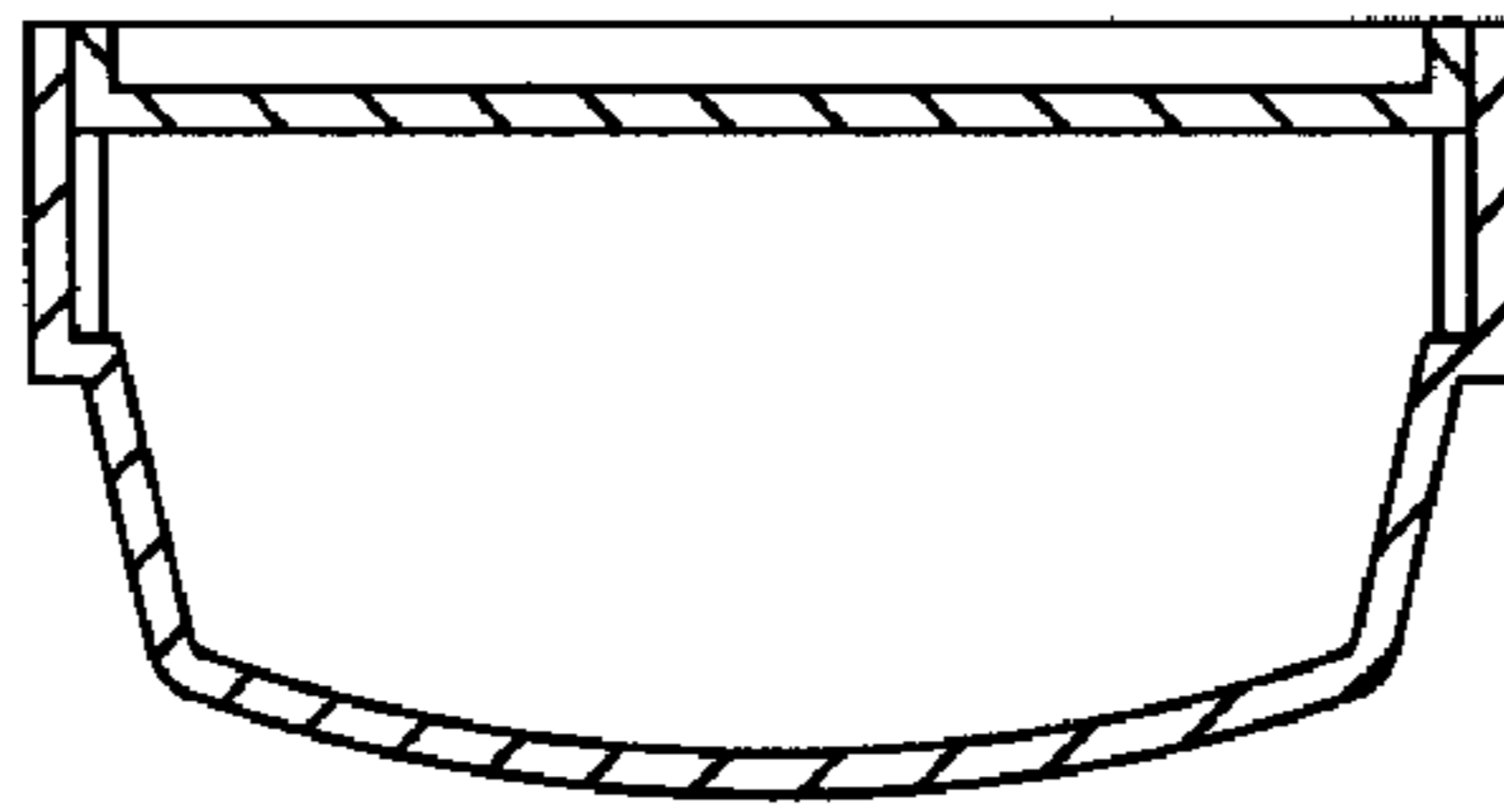


FIG. 6

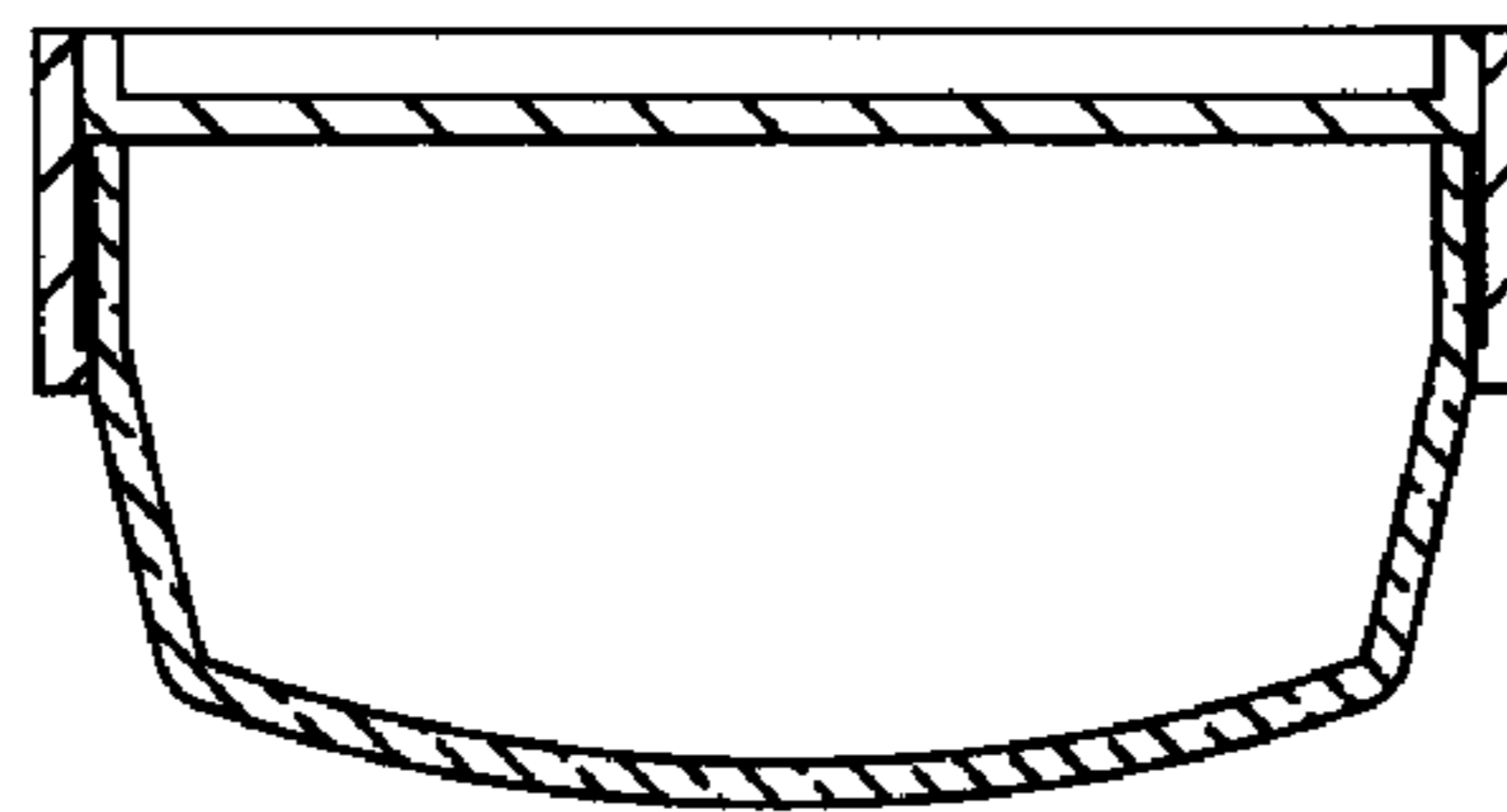


FIG. 7

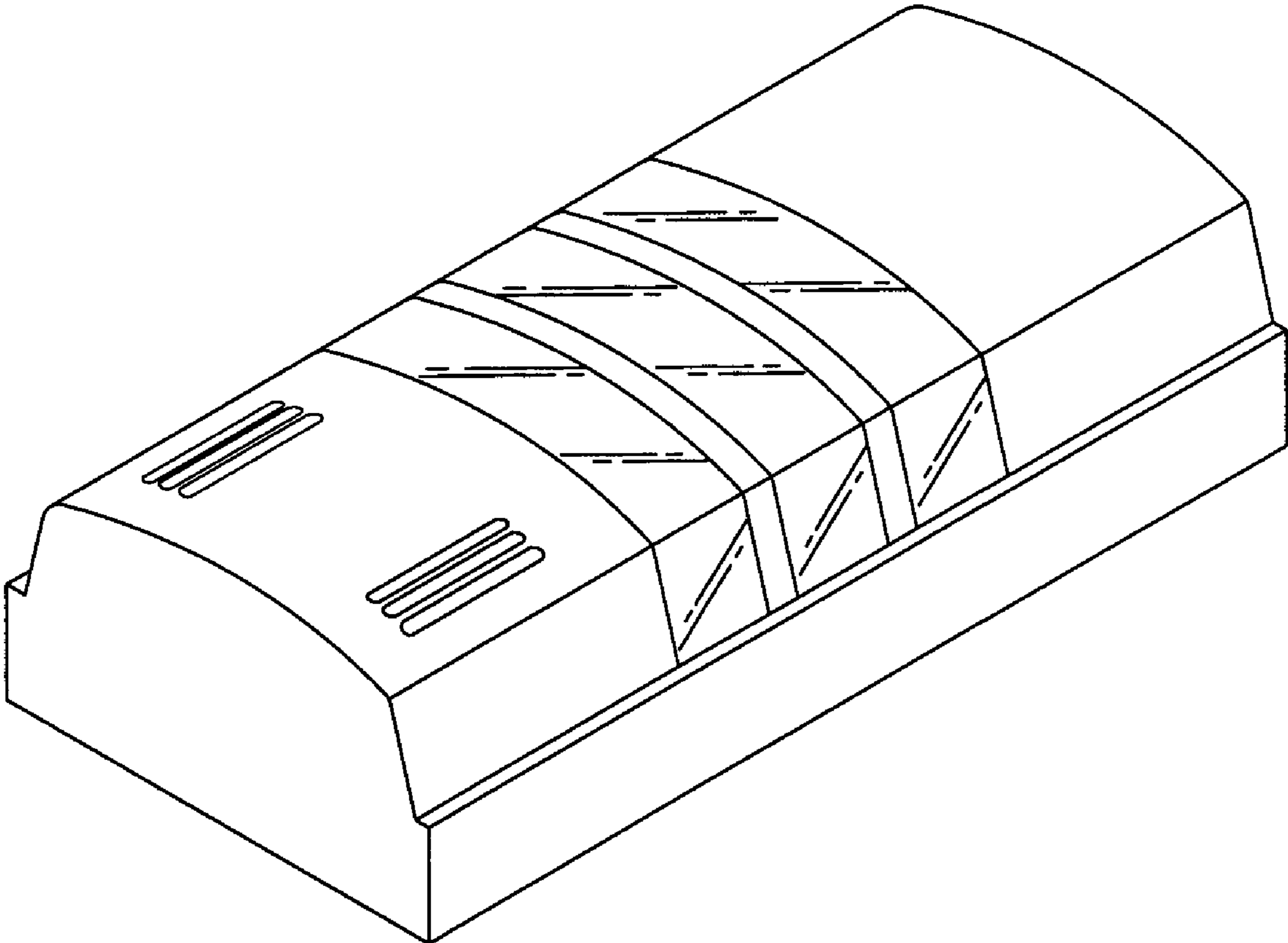


FIG. 8