



US00D608233S

(12) **United States Design Patent**
Pirhonen et al.

(10) **Patent No.:** **US D608,233 S**

(45) **Date of Patent:** **** Jan. 19, 2010**

(54) **TIRE SPIKE**

6,814,115 B2 * 11/2004 Ostrovskis 152/210

(75) Inventors: **Juha Pirhonen**, Sarkola (FI); **Mikko Liukkula**, Viiala (FI)

* cited by examiner

(73) Assignee: **Nokian Tyres PLC**, Nokia (FI)

Primary Examiner—Antoine D Davis

(74) *Attorney, Agent, or Firm*—Klauber & Jackson LLC

(**) Term: **14 Years**

(57) **CLAIM**

(21) Appl. No.: **29/312,964**

The ornamental design for a tire spike, as shown and described.

(22) Filed: **Nov. 26, 2008**

Related U.S. Application Data

DESCRIPTION

(62) Division of application No. 29/291,903, filed on Sep. 19, 2007, now Pat. No. Des. 584,979.

FIG. 1 is an upper, left-hand perspective view of an upper flange component of a tire spike of our new design, with the remainder of the body of said tire spike excluded by dotted lines;

(51) **LOC (9) Cl.** **10-05**

(52) **U.S. Cl.** **D10/113**

(58) **Field of Classification Search** D10/113;
152/210–211; 404/6

FIG. 2 is a side plan view of the design of FIG. 1, both side views being identical to each other;

See application file for complete search history.

FIG. 3 is a front view thereof, the rear view being identical thereto; and,

(56) **References Cited**

FIG. 4 is top view thereof.

U.S. PATENT DOCUMENTS

4,884,608 A * 12/1989 Linden 152/210

1 Claim, 1 Drawing Sheet

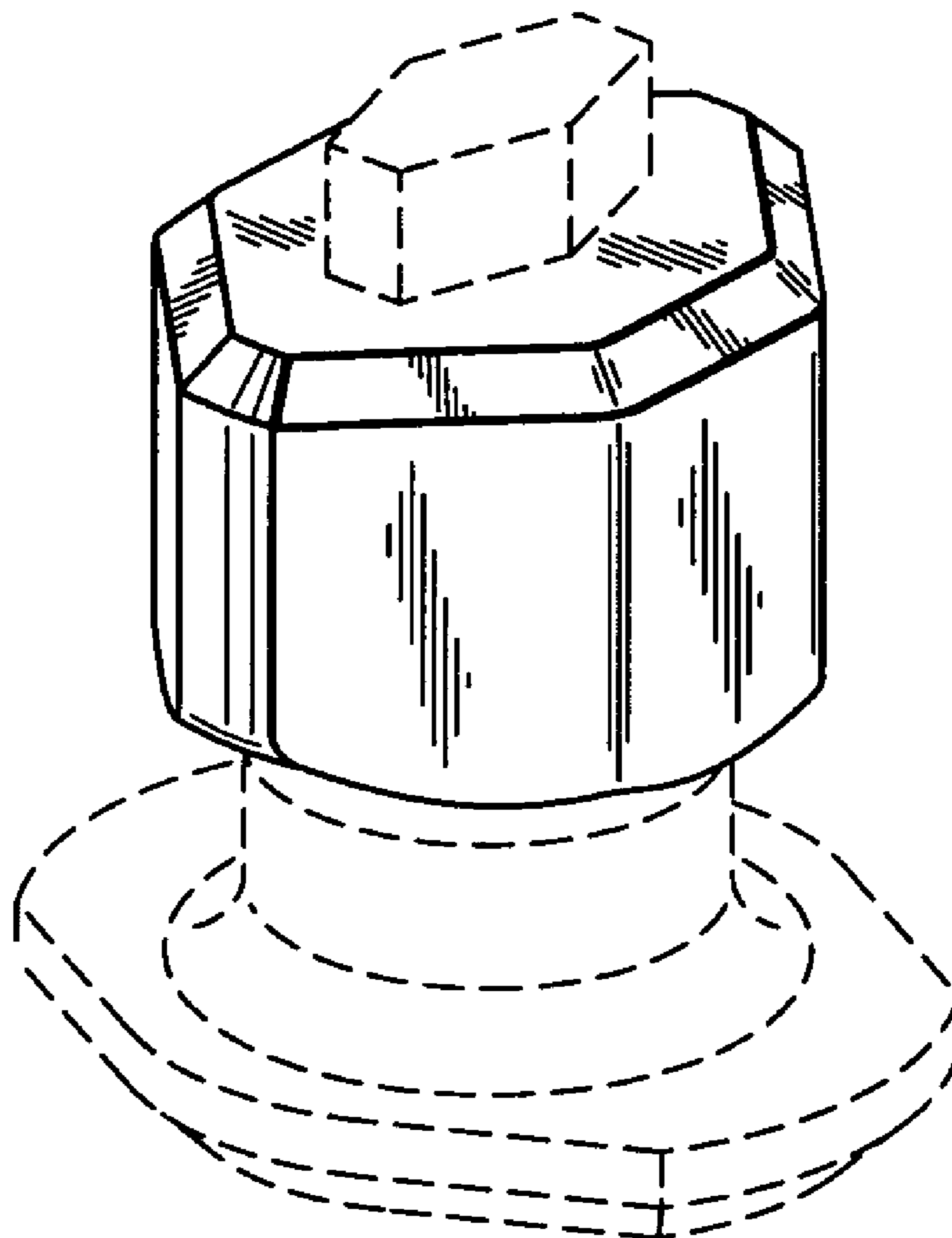


Fig. 1

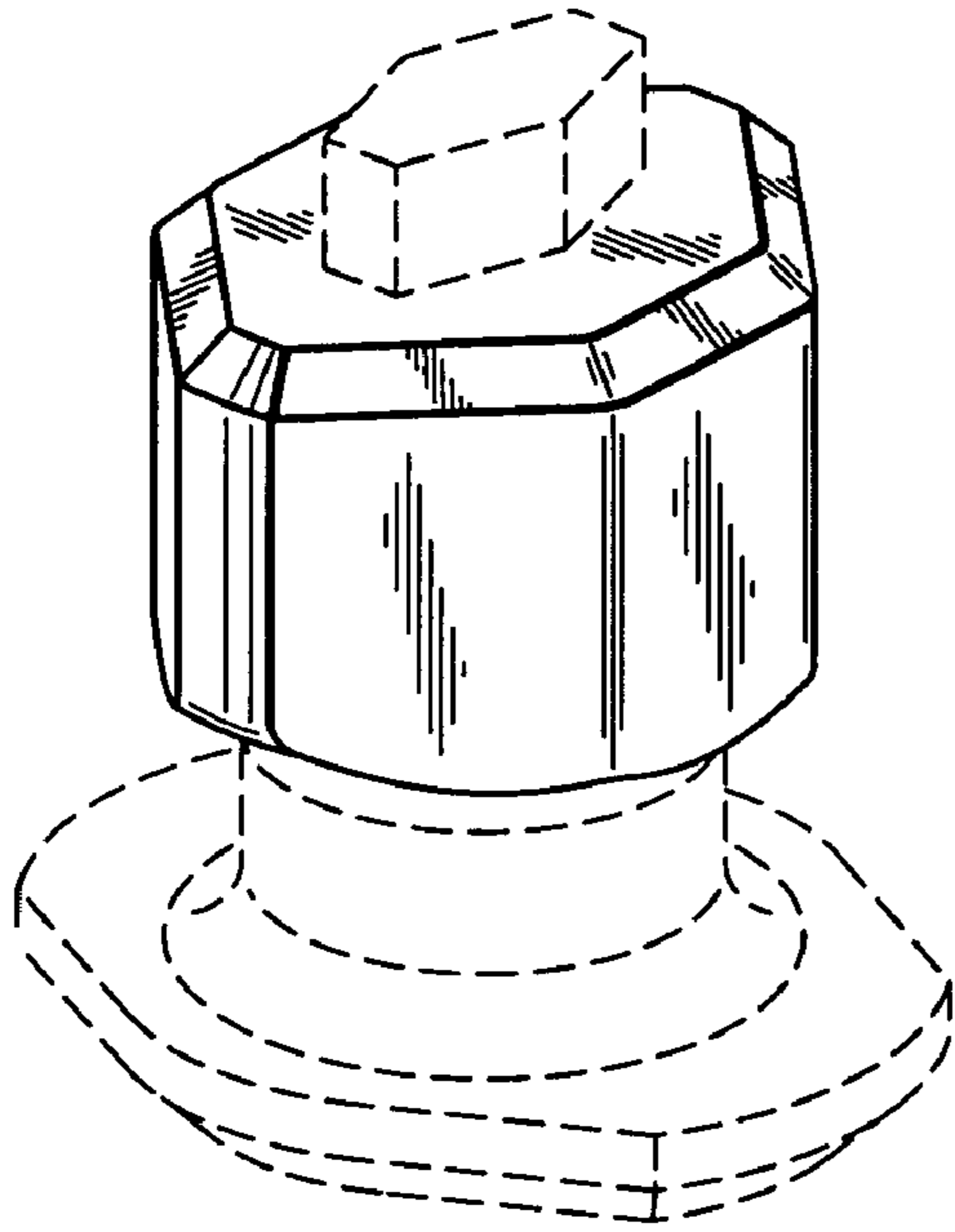


Fig. 2

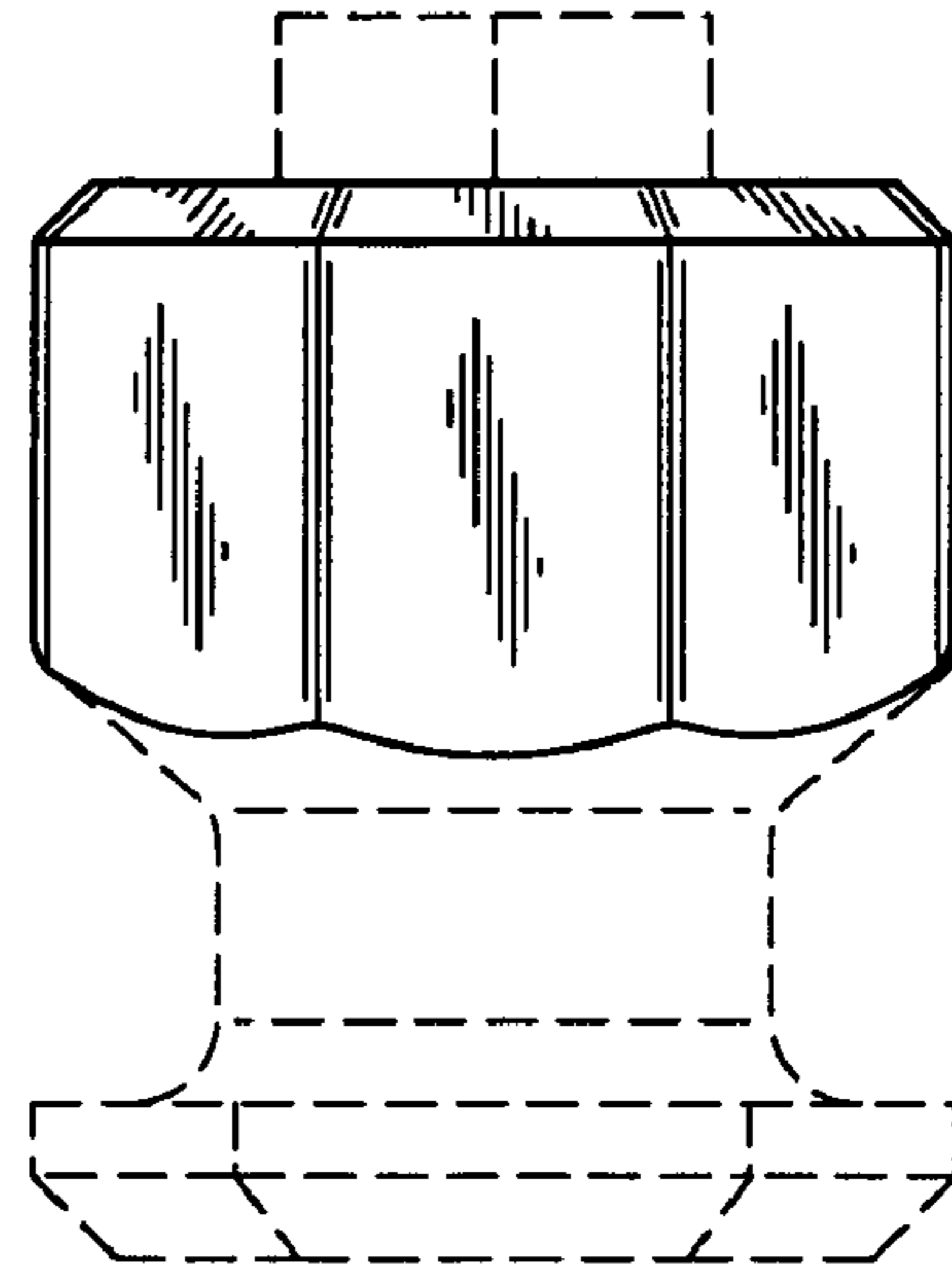


Fig. 3

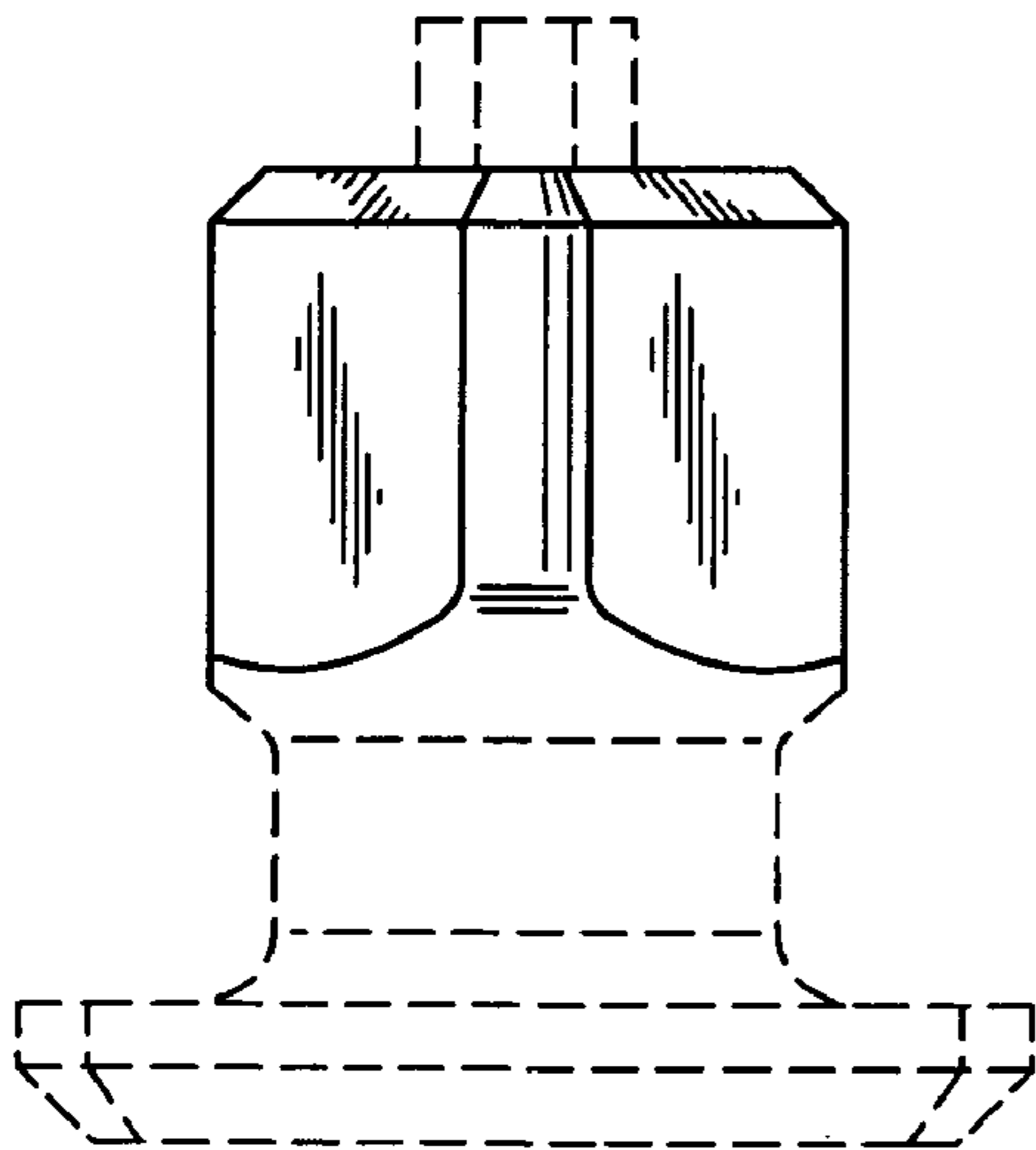


Fig. 4

