



US00D608232S

(12) **United States Design Patent**
Duran Neira et al.

(10) **Patent No.:** **US D608,232 S**
(45) **Date of Patent:** **** Jan. 19, 2010**

(54) **OCEAN BUOY**

(75) Inventors: **Carlos Duran Neira**, Santiago (ES);
Xulio Fernandez Hermida, Vigo (ES)

(73) Assignee: **CIS, SL**, Santiago de Compostela (ES)

(**) Term: **14 Years**

(21) Appl. No.: **29/339,943**

(22) Filed: **Jul. 10, 2009**

(51) **LOC (9) Cl.** **10-05**

(52) **U.S. Cl.** **D10/107**

(58) **Field of Classification Search** D10/107;
441/1; 405/224.4

See application file for complete search history.

(56) **References Cited**

U.S. PATENT DOCUMENTS

- D320,950 S * 10/1991 Bressler et al. D10/107
- D363,445 S * 10/1995 Warner et al. D10/107
- 6,712,560 B1 * 3/2004 Cottrell 405/224.4

7,393,254 B1 * 7/2008 Young et al. 441/1

* cited by examiner

Primary Examiner—Caron Veynar

Assistant Examiner—George D Kirschbaum

(74) *Attorney, Agent, or Firm*—Aboy & associates, PC
www.aboypatentlaw.com

(57) **CLAIM**

We claim the ornamental design for an ocean buoy, as shown and described.

DESCRIPTION

FIG. 1 is a perspective view of an ocean buoy showing our new design;

FIG. 2 is a front side view thereof;

FIG. 3 is a rear side view thereof;

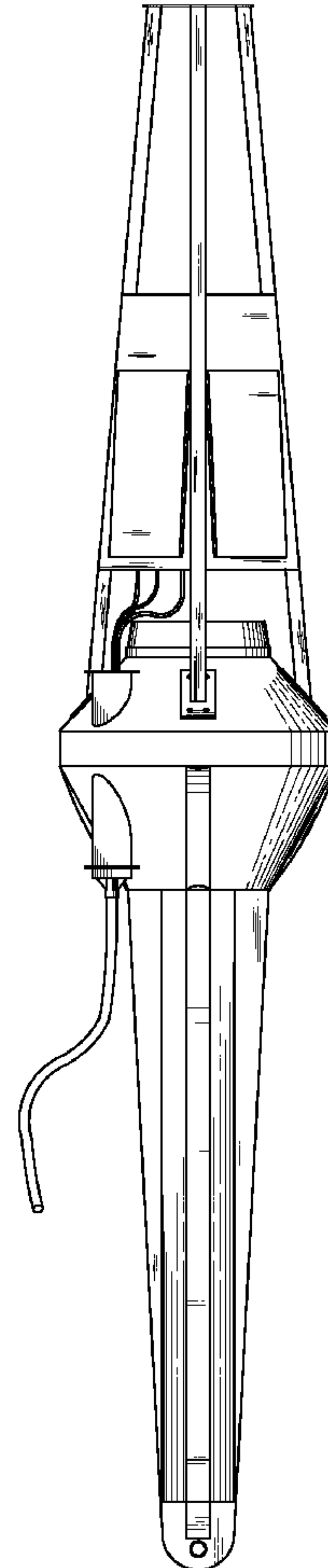
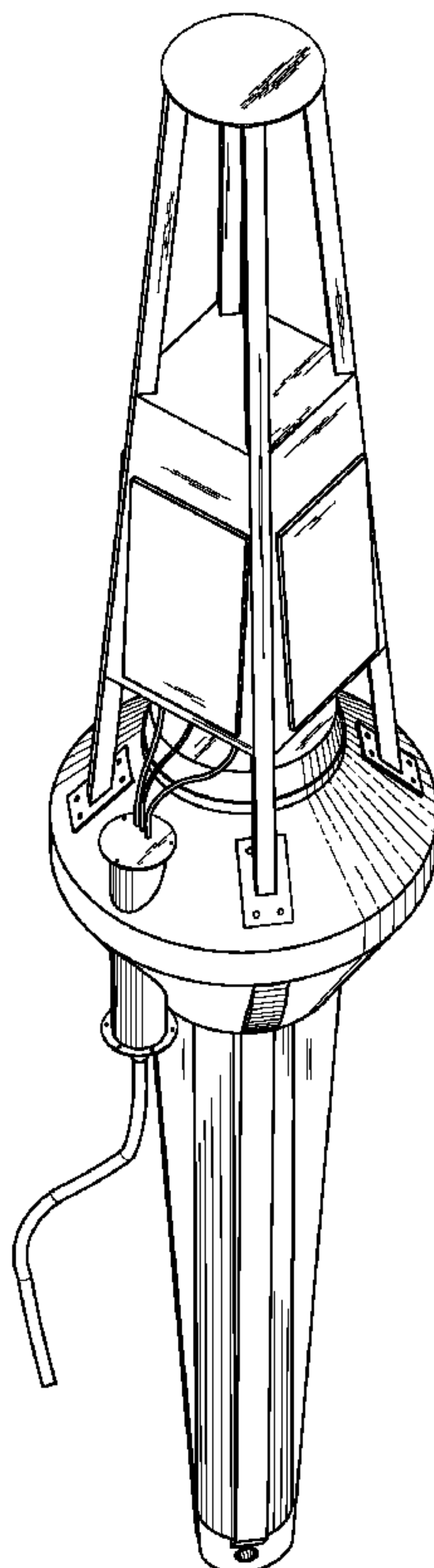
FIG. 4 is a right side view thereof;

FIG. 5 is a left side view thereof;

FIG. 6 is a top view thereof; and,

FIG. 7 is a bottom view thereof.

1 Claim, 7 Drawing Sheets



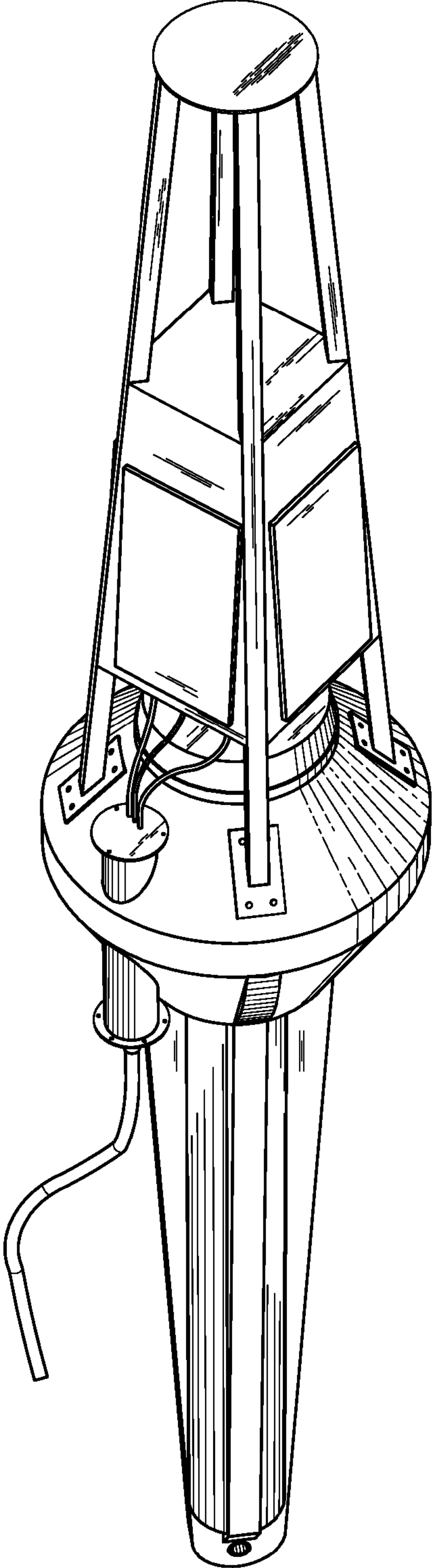


FIG.1

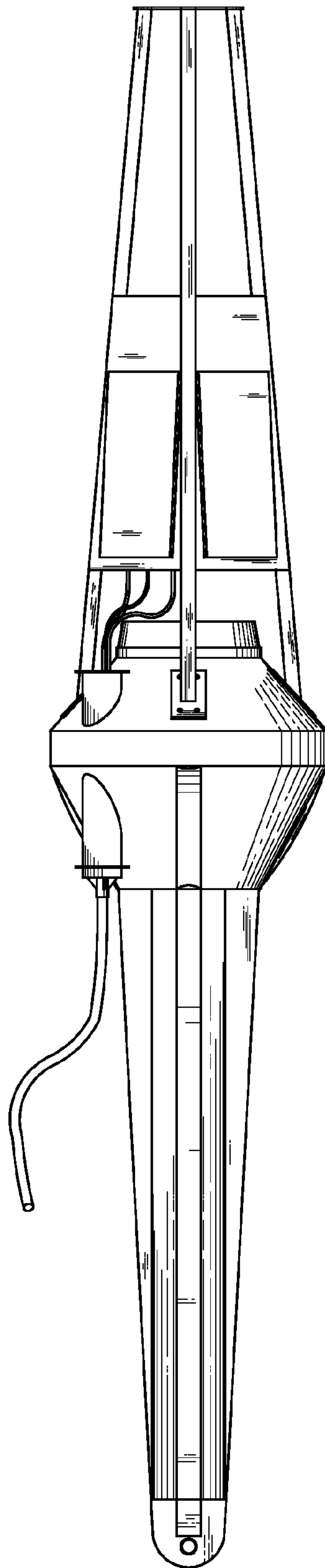


FIG.2

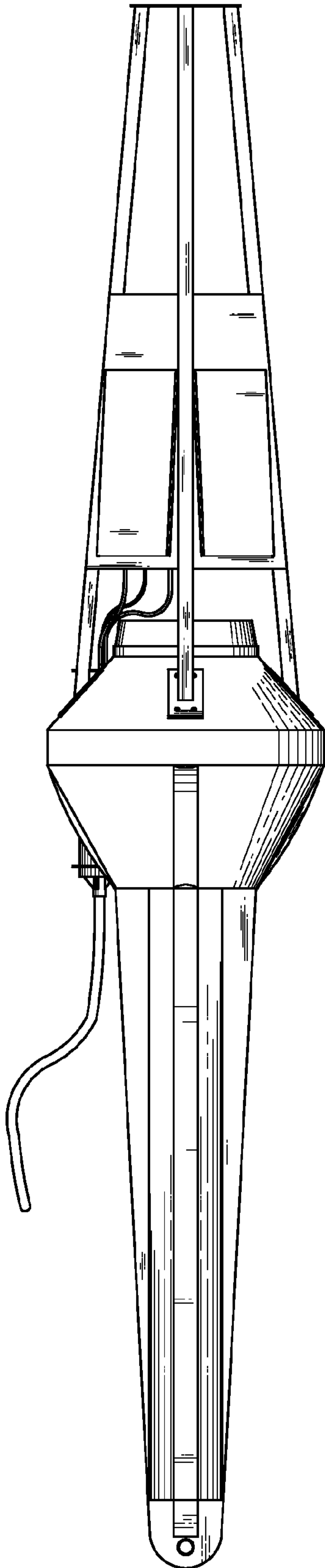


FIG.3

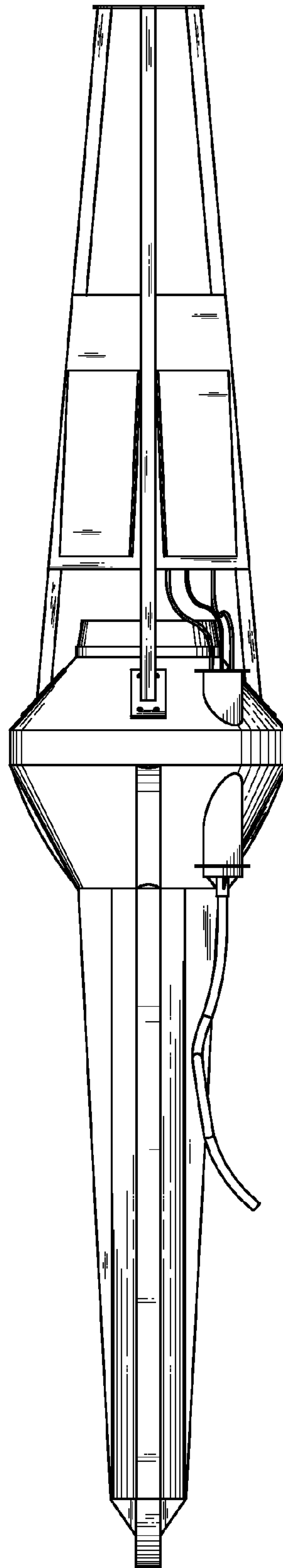


FIG.5

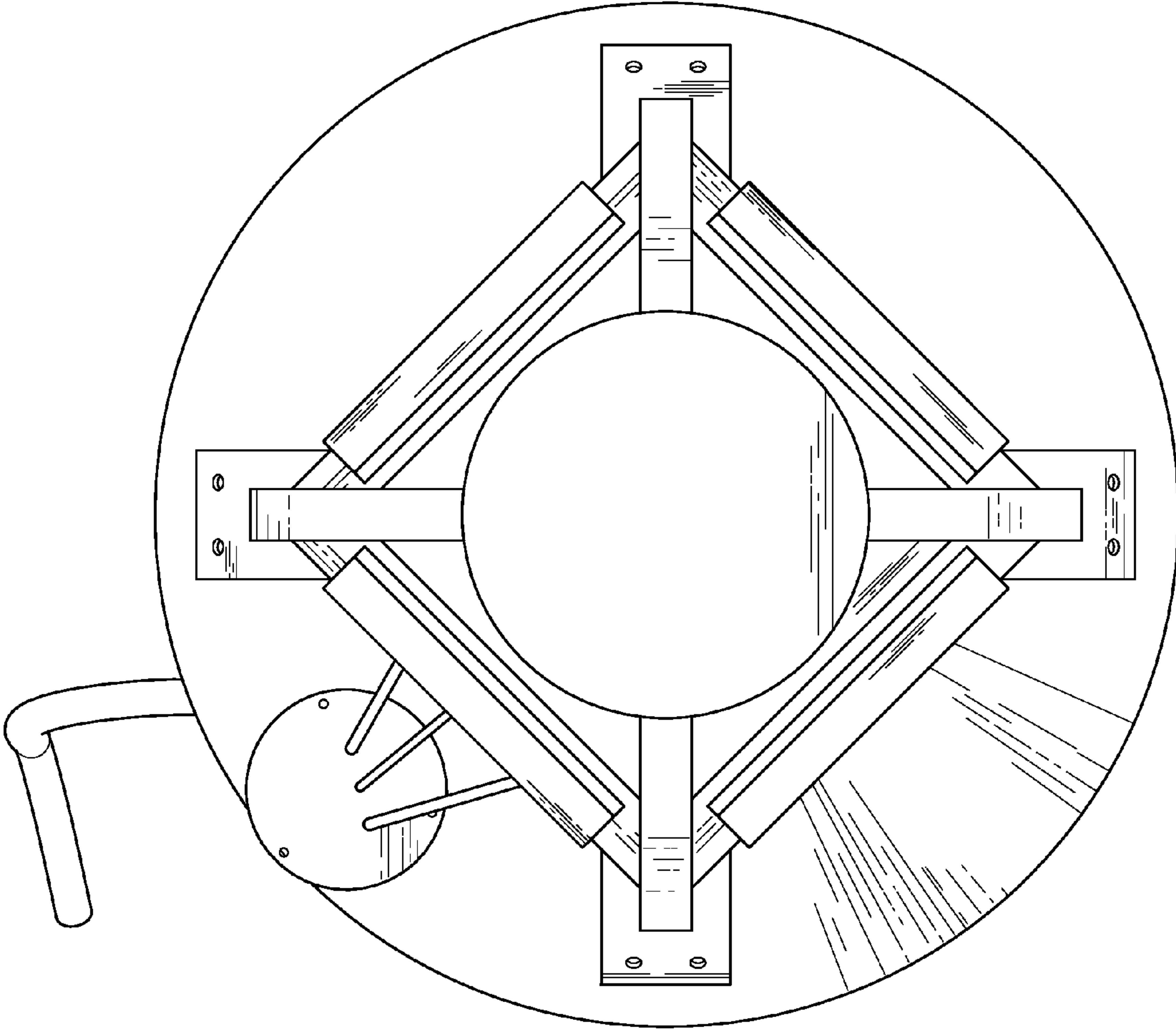


FIG.6

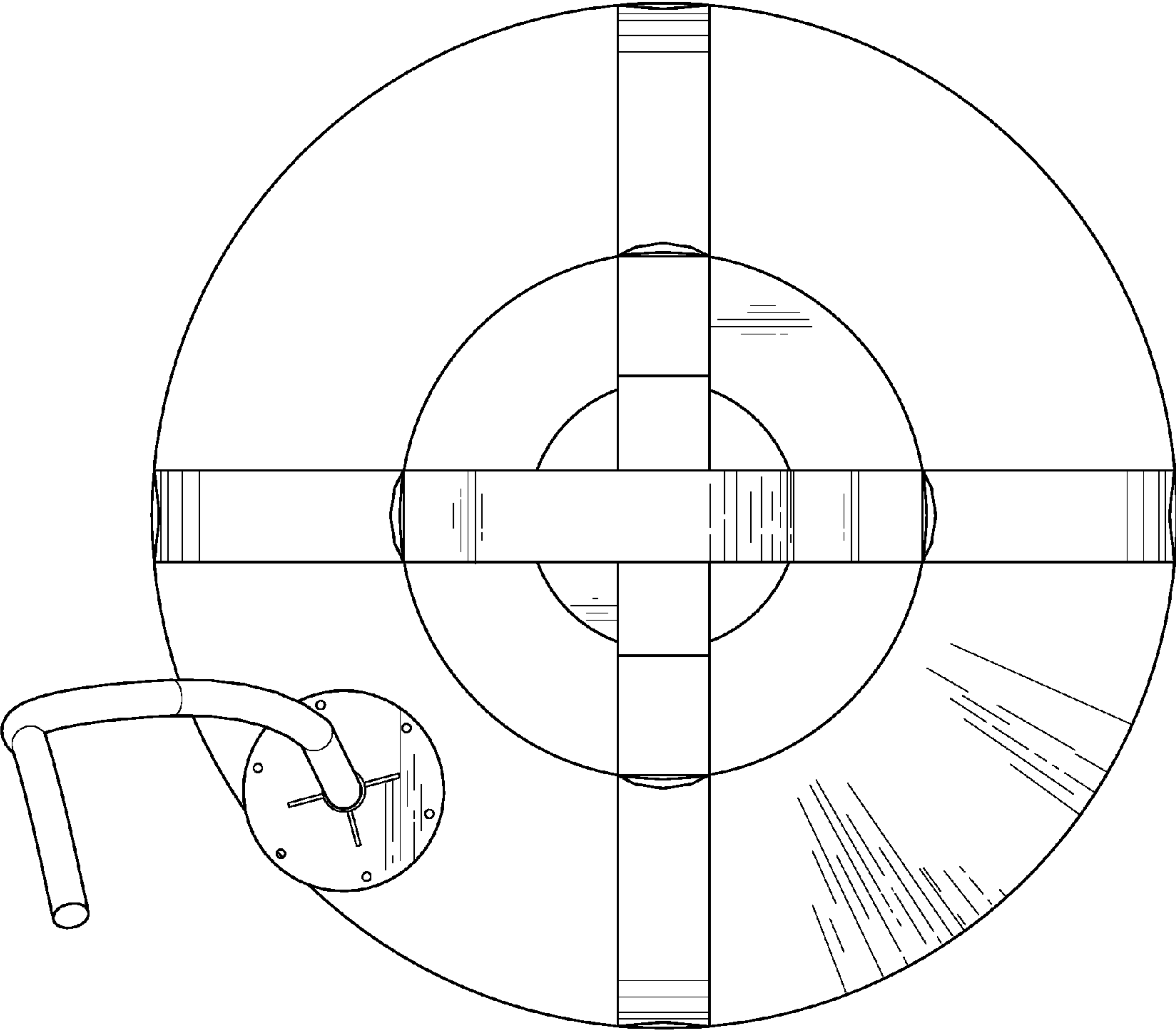


FIG.7