



US00D608231S

(12) **United States Design Patent**
Fauveau

(10) **Patent No.:** **US D608,231 S**
(45) **Date of Patent:** **** Jan. 19, 2010**

(54) **HOUSING FOR USE WITH A PROCESS SENSOR**

(75) Inventor: **Eric Fauveau**, Baton Rouge, LA (US)

(73) Assignee: **K-Tek Corp.**, Prairieville, LA (US)

(**) Term: **14 Years**

(21) Appl. No.: **29/325,924**

(22) Filed: **Oct. 8, 2008**

(51) **LOC (9) Cl.** **10-04**

(52) **U.S. Cl.** **D10/101**

(58) **Field of Classification Search** D10/101;
73/305, 313, 317, 318, 322.5, 290 R, 319,
73/DIG. 5; 116/204, 284, 227, 56-62.4,
116/266, 271, DIG. 20, DIG. 71; 324/200,
324/207.22

See application file for complete search history.

(56) **References Cited**

U.S. PATENT DOCUMENTS

D536,272 S * 2/2007 Colin D10/101

* cited by examiner

Primary Examiner—Antoine D Davis

(74) *Attorney, Agent, or Firm*—Jones, Walker, Waechter,
Poitevent, Carrere & Denegre, LLP

(57) **CLAIM**

The ornamental design for a housing for use with a process sensor, as shown and described.

DESCRIPTION

FIG. 1 is a right side elevation view of one embodiment of the housing for use with a process sensor (the left side view is a mirror image). The dashed lines represent a raised flat to accommodate an opening in the housing to accommodate cable conduit that can be located anywhere on the top of the housing.

FIG. 2 is a front elevation view of one embodiment of the housing for use with a process sensor. The dashed lines represent potential openings in each side of the housing to accommodate cable conduits (generally, only one top opening will be built in the housing).

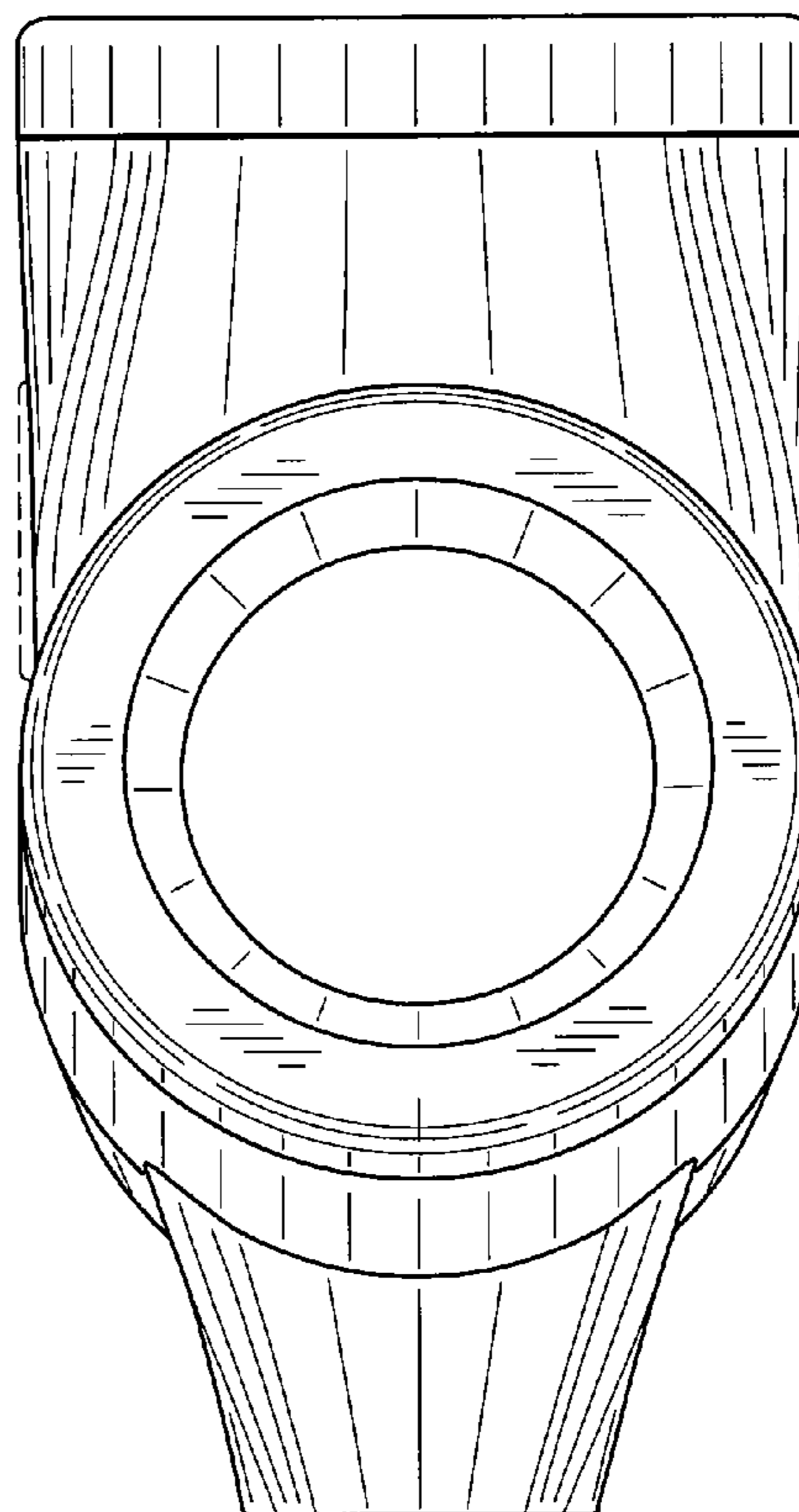
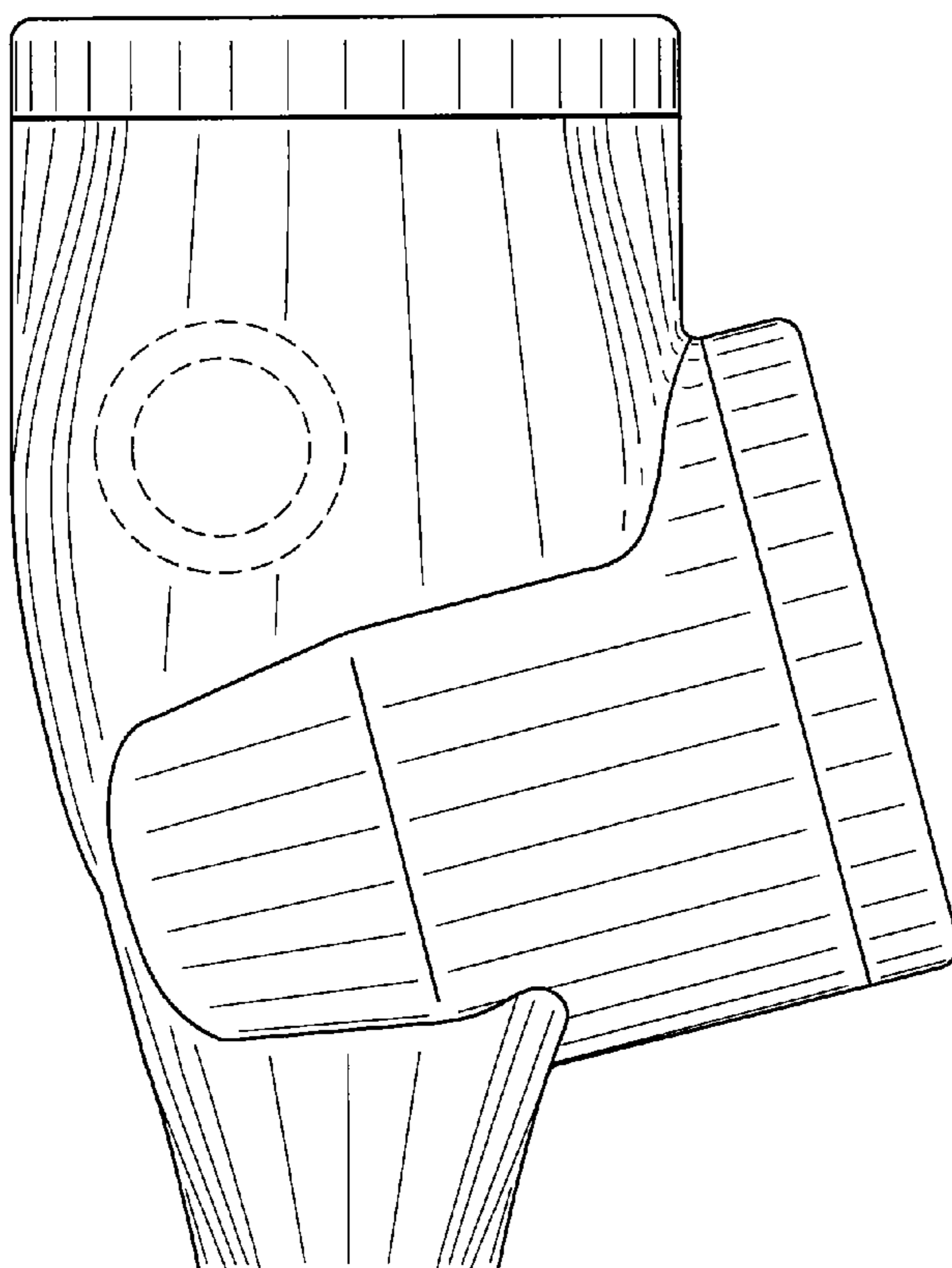
FIG. 3 is a back elevation view of one embodiment of the housing for use with a process sensor.

FIG. 4 is a bottom elevation side view of one embodiment of the housing for use with a process sensor. The dashed lines represent an opening in the housing to accommodate cable conduit and that can be located anywhere on the top of the housing; and,

FIG. 5 is a top elevation view of one embodiment of the housing for use with a process sensor.

The structures shown in broken lines in the drawings are not part of the claimed design.

1 Claim, 5 Drawing Sheets



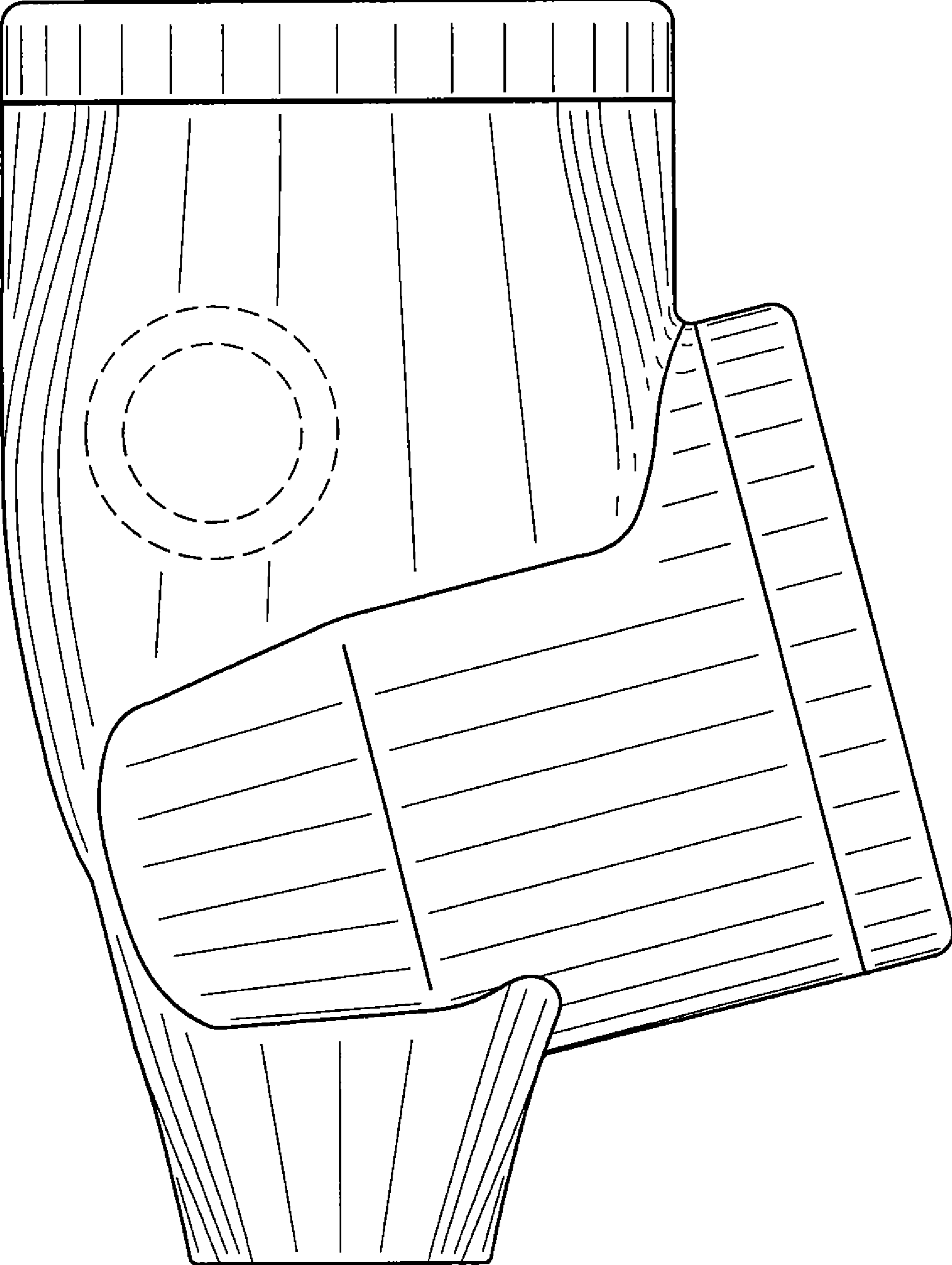


FIG. 1

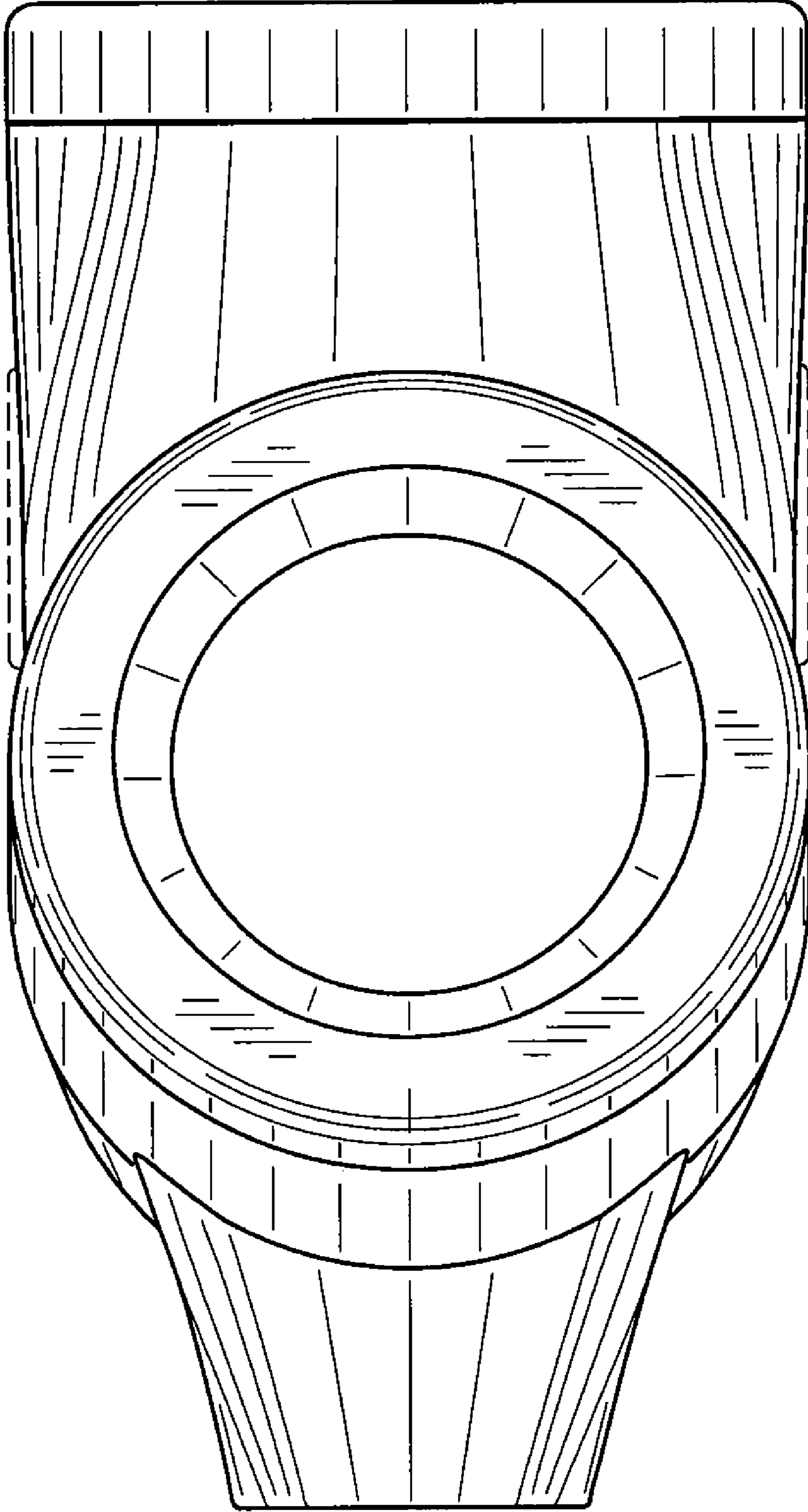


FIG. 2

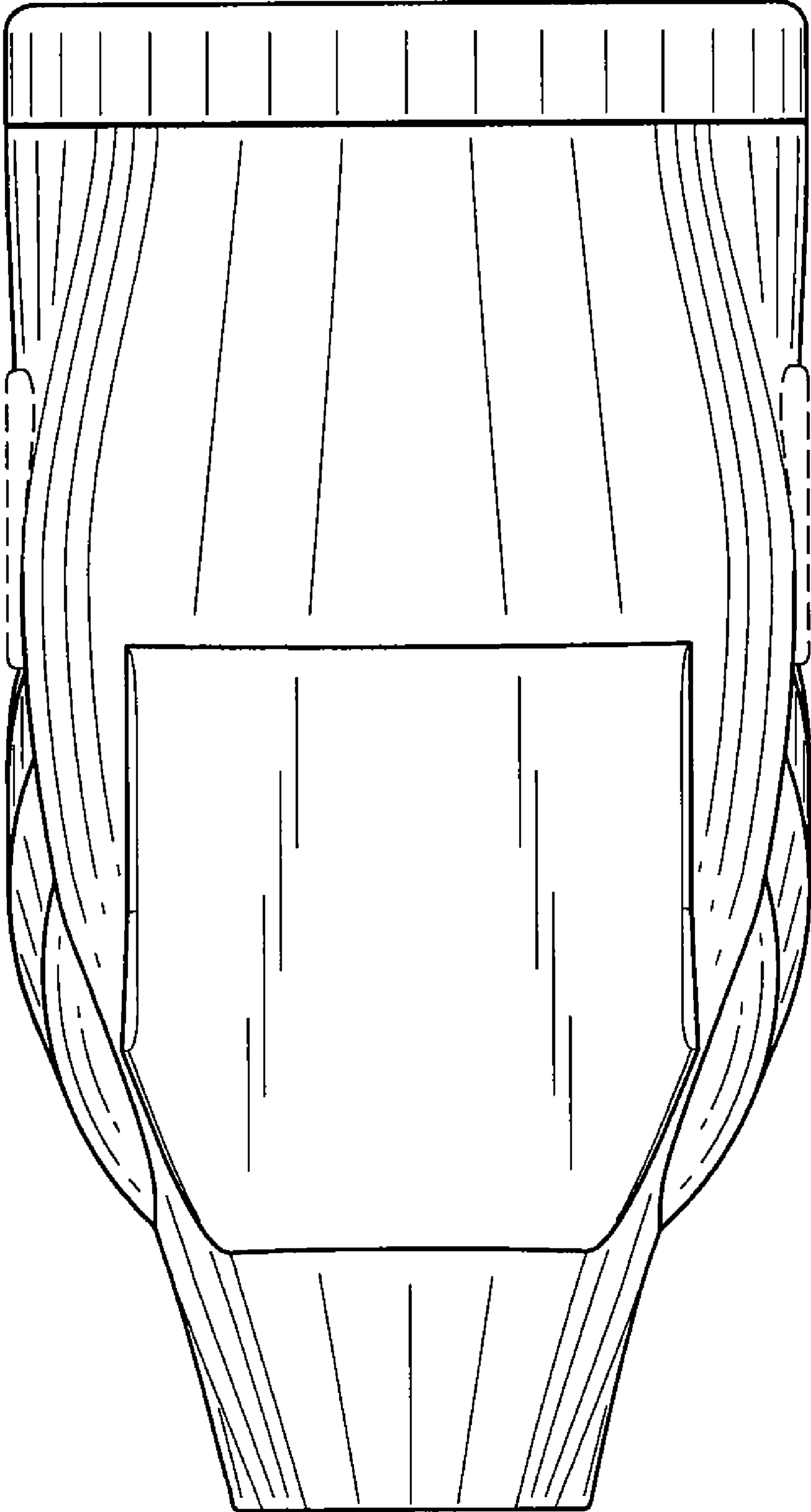


FIG. 3

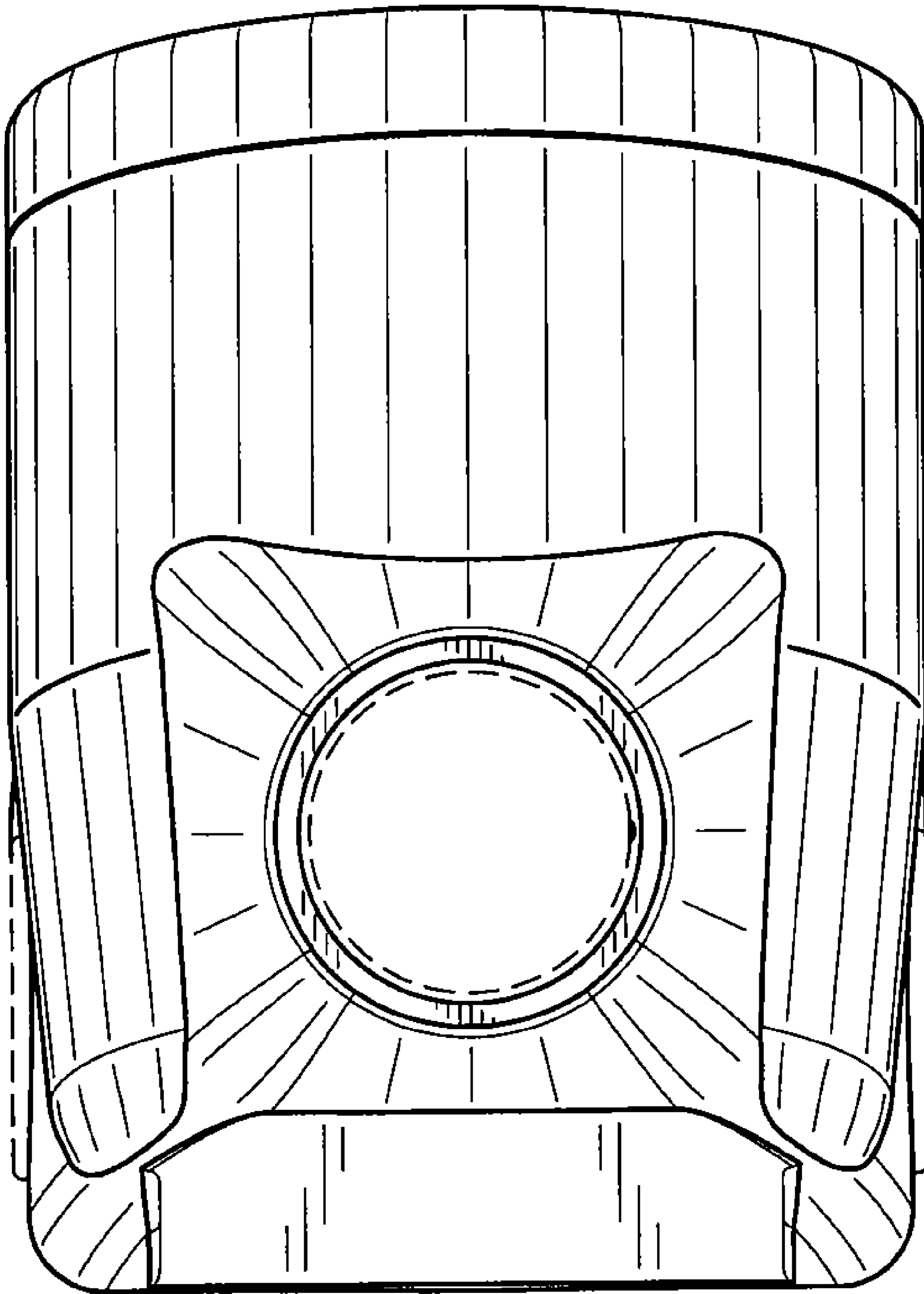


FIG. 4

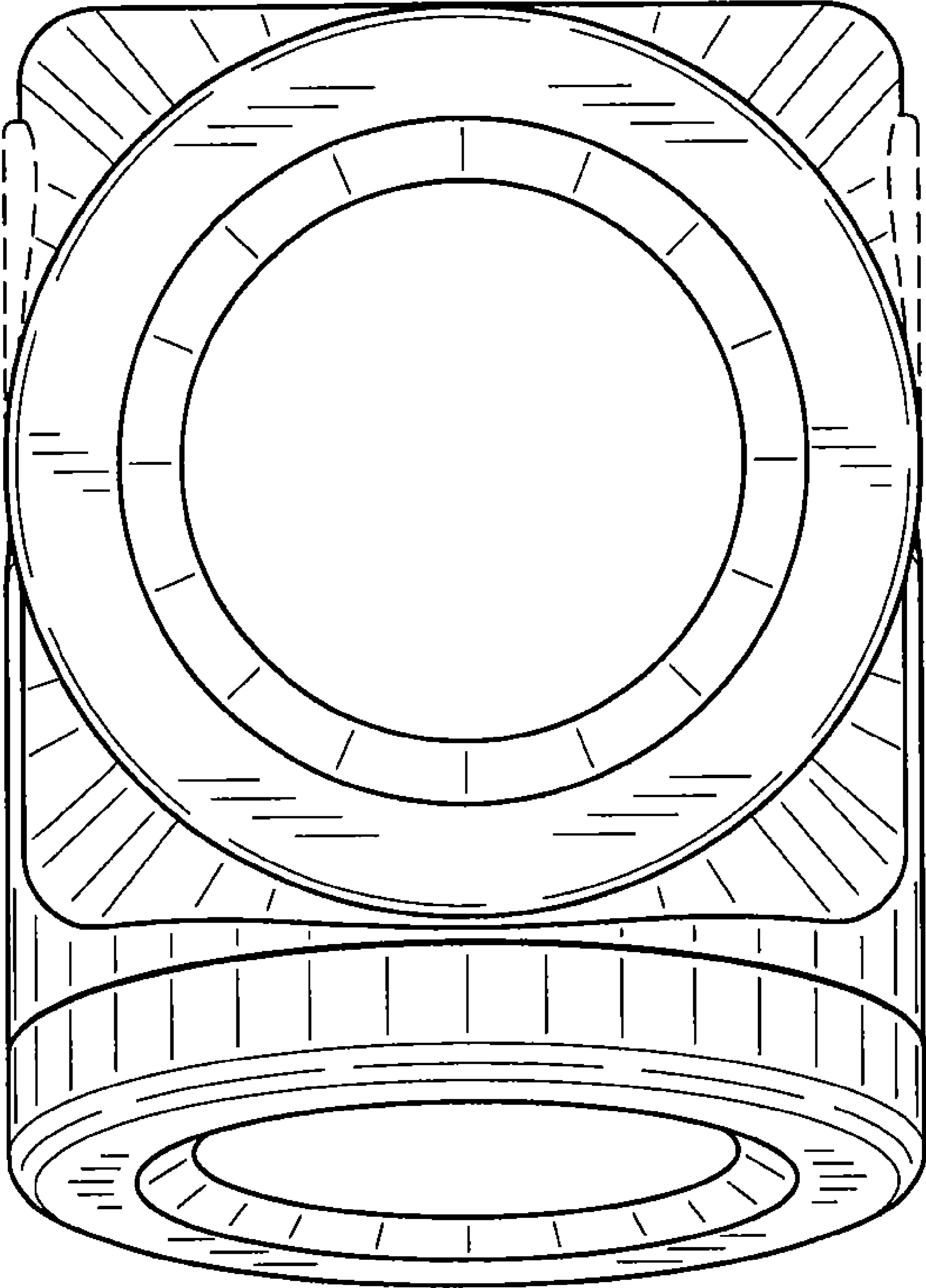


FIG. 5