



US00D608230S

(12) **United States Design Patent**  
**Sugita**

(10) **Patent No.:** **US D608,230 S**  
(45) **Date of Patent:** **\*\* Jan. 19, 2010**

(54) **NAVIGATION SYSTEM**

D582,807 S \* 12/2008 Ichikawa et al. .... D10/65  
D597,424 S \* 8/2009 Miyawaki ..... D10/65

(75) Inventor: **Muneki Sugita**, Suginami-ku (JP)

**FOREIGN PATENT DOCUMENTS**

(73) Assignee: **Clarion Co., Ltd.**, Tokyo (JP)

JP	S-D1309506	9/2007
JP	S-D1337172	8/2008
JP	S-D1339142	9/2008
JP	S-D1343475	11/2008
JP	S-D1343476	11/2008

(\*\*) Term: **14 Years**

(21) Appl. No.: **29/333,320**

(22) Filed: **Mar. 6, 2009**

\* cited by examiner

(51) **LOC (9) Cl.** ..... **10-04**

*Primary Examiner*—Antoine D Davis

(52) **U.S. Cl.** ..... **D10/65**

(74) *Attorney, Agent, or Firm*—Oliff & Berridge, PLC

(58) **Field of Classification Search** ..... D10/65,  
D10/70, 75, 76; D14/136, 125–134, 239,  
D14/371, 374–377, 440, 450, 448, 336, 342;  
342/351, 419, 457, 357.06–357.16; 343/702;  
345/87, 104, 133, 156, 168, 173, 901–905;  
348/180, 184, 315, 739, 836, 838, 325; 364/444,  
364/499; 701/206–209, 213–214; 312/7.2;  
341/12; 720/605, 669, 600, 655; 369/99,  
369/197; 455/344, 347

(57) **CLAIM**

See application file for complete search history.

The ornamental design for a navigation system, as shown and described.

**DESCRIPTION**

(56) **References Cited**

**U.S. PATENT DOCUMENTS**

D487,024 S *	2/2004	Hsu Li	.....	D10/65
D507,193 S *	7/2005	Owaki et al.	.....	D10/65
D541,681 S *	5/2007	Sekino et al.	.....	D10/65
D568,185 S *	5/2008	Sakai et al.	.....	D10/65

FIG. 1 is a perspective view of a navigation system;  
FIG. 2 is a front view thereof;  
FIG. 3 is a rear view thereof;  
FIG. 4 is a left-side view thereof;  
FIG. 5 is a right-side view thereof;  
FIG. 6 is a top view thereof; and,  
FIG. 7 is a bottom view thereof.

**1 Claim, 5 Drawing Sheets**

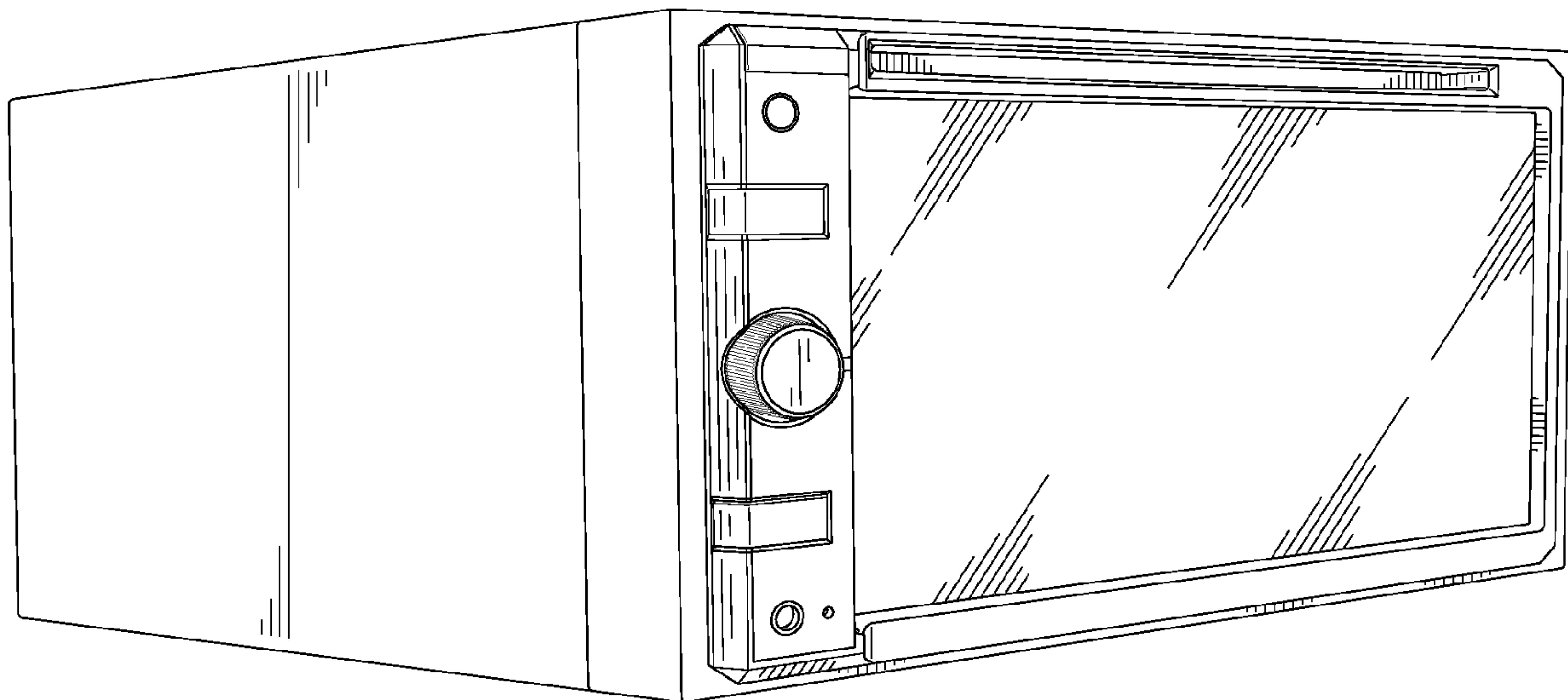


FIG. 1

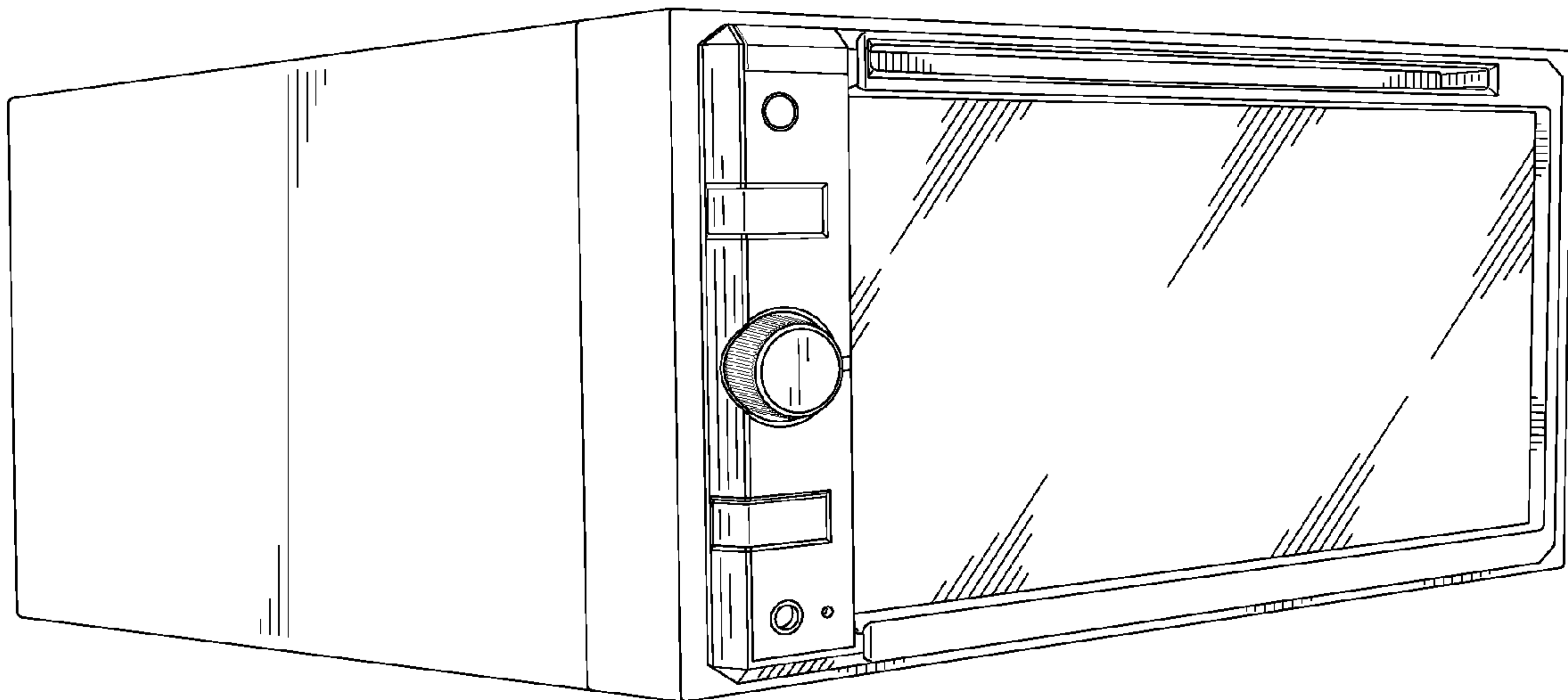


FIG.2

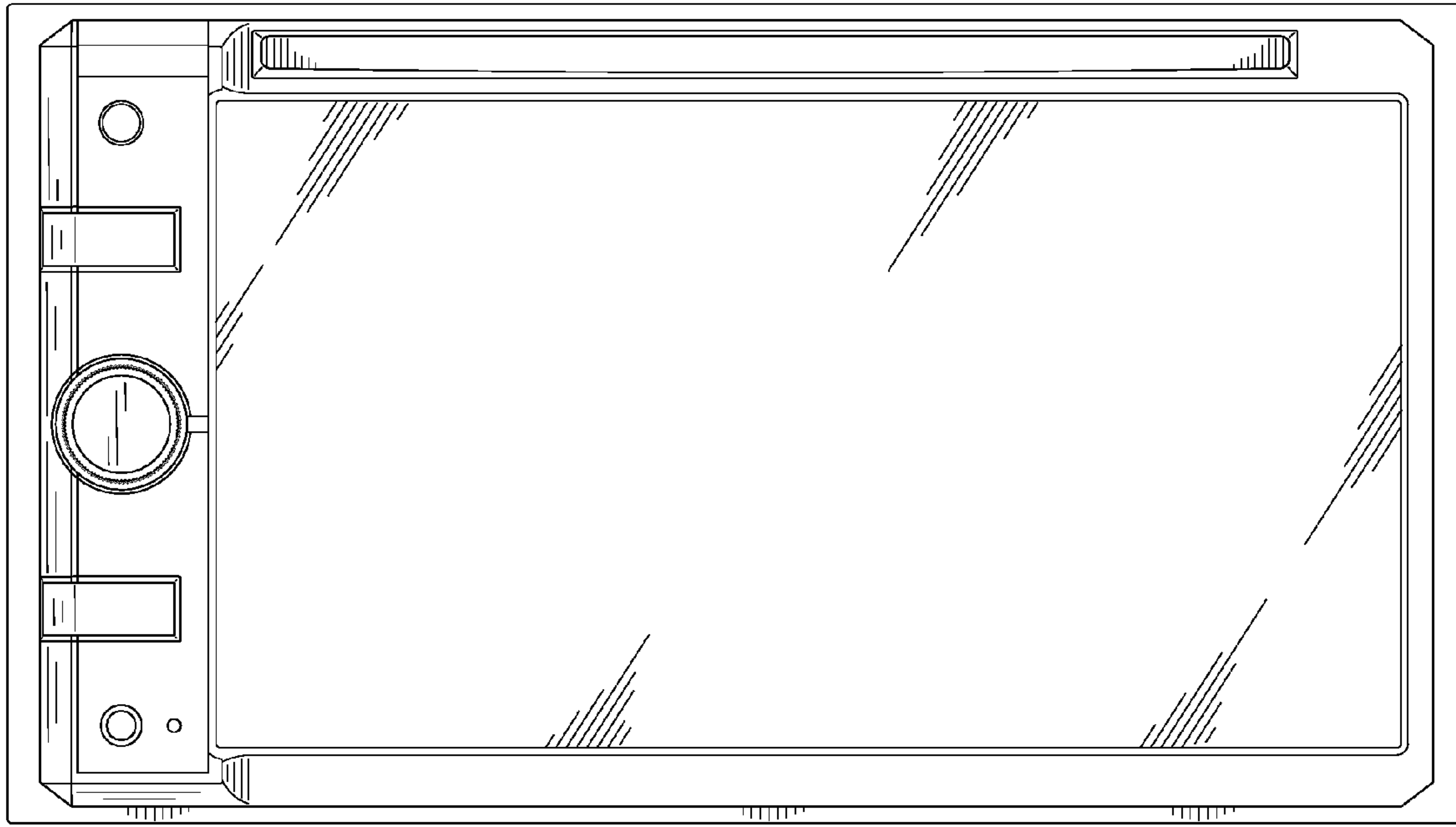


FIG.3

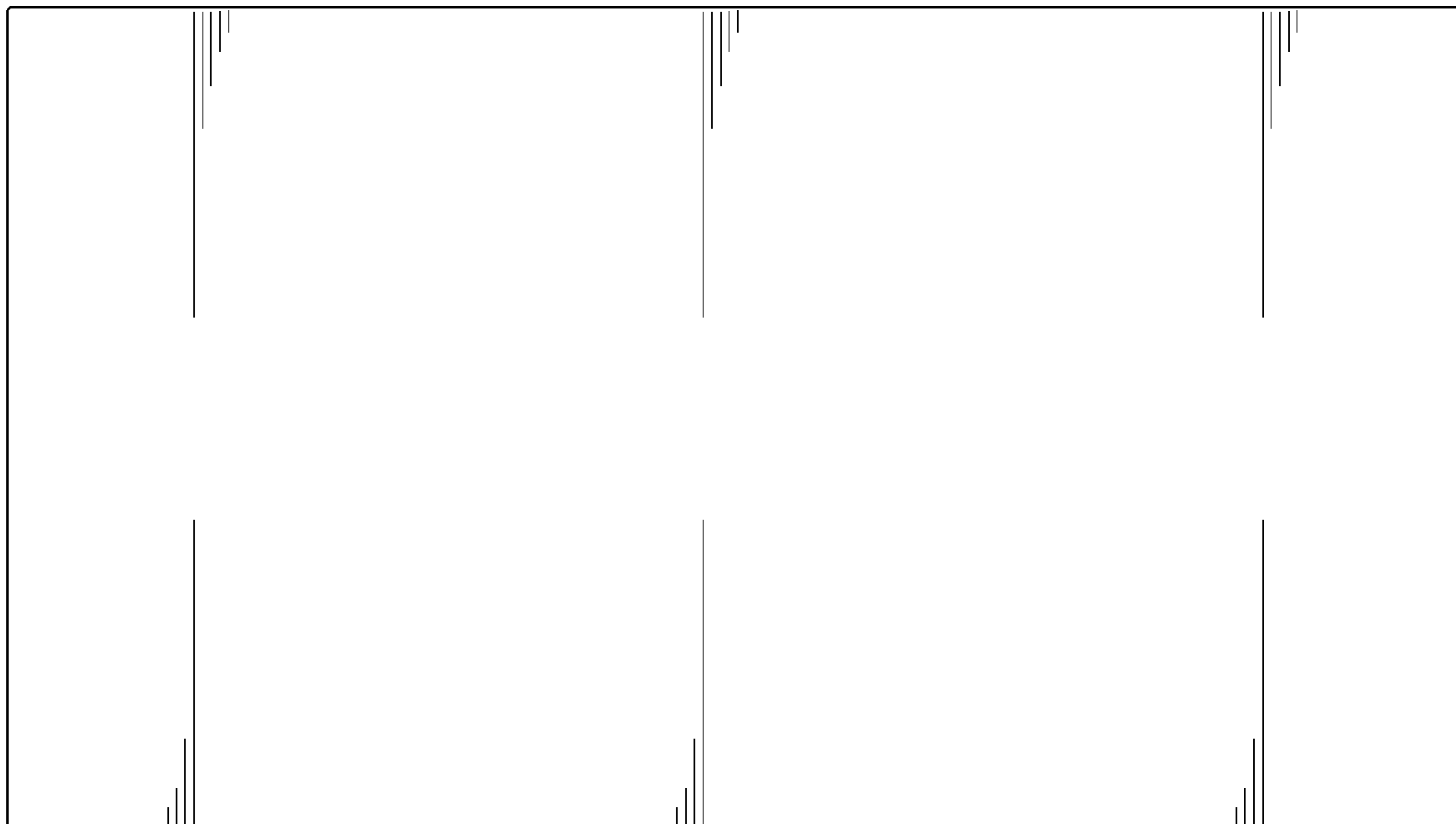


FIG. 4

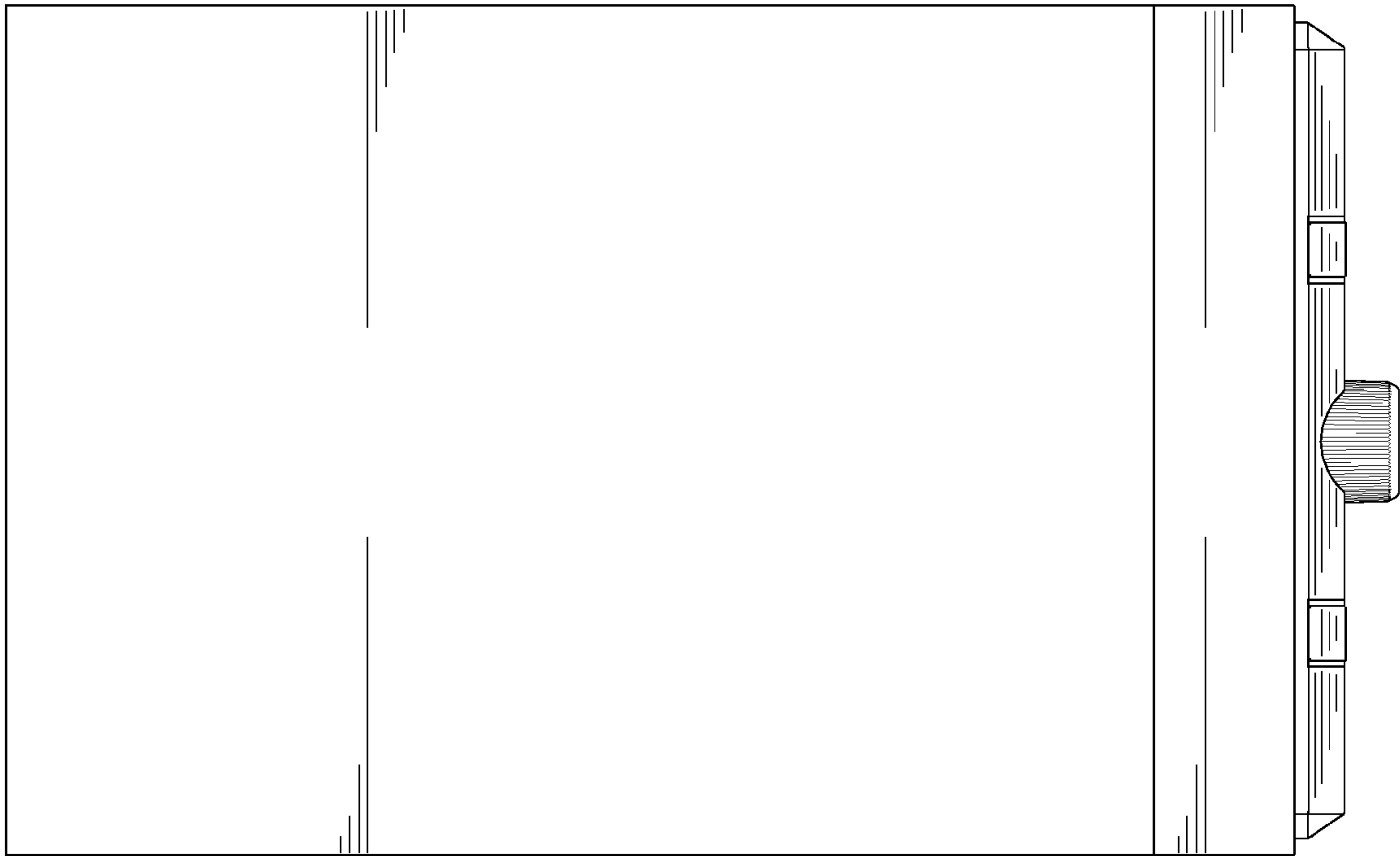


FIG. 5

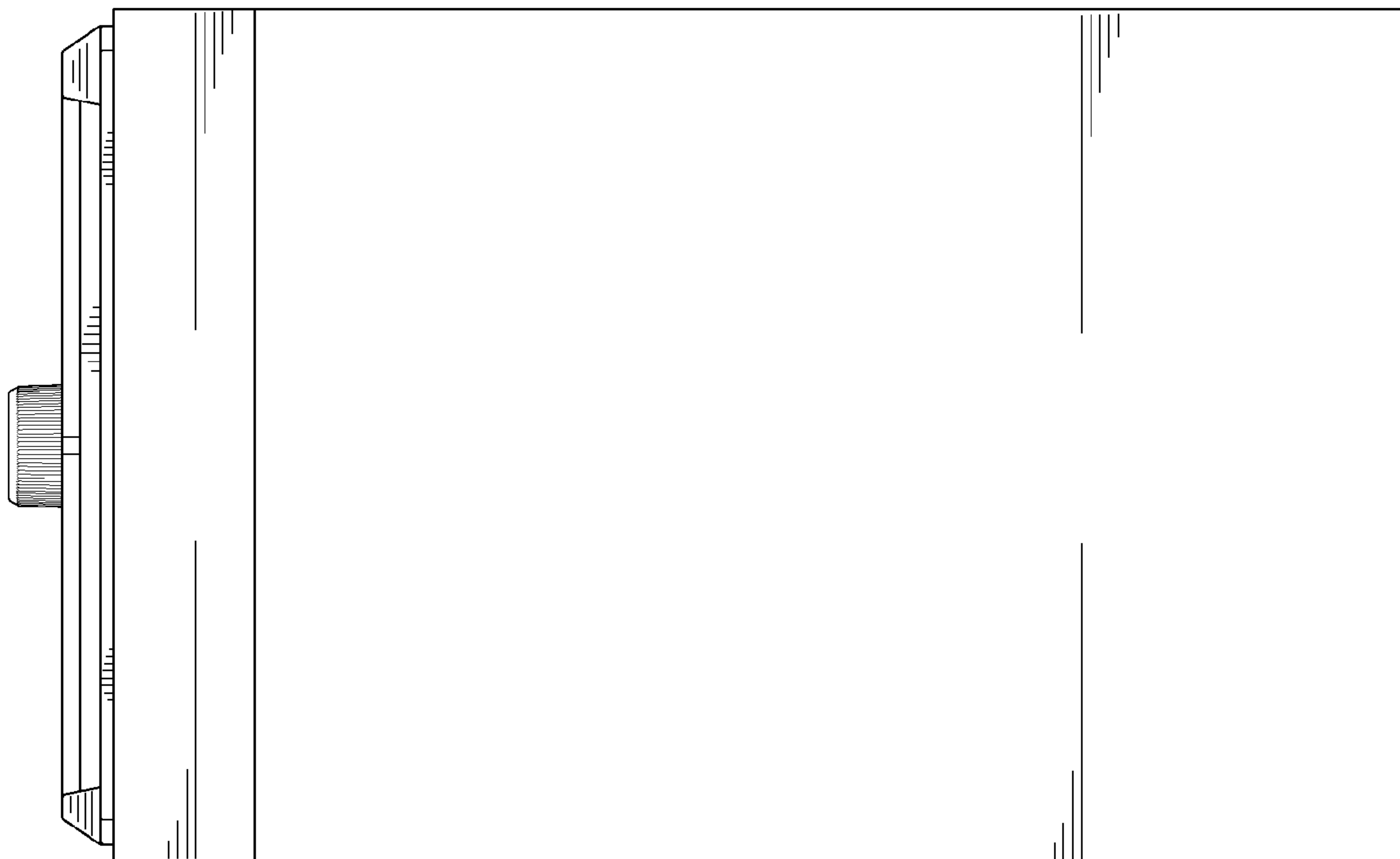


FIG.6



FIG. 7

