



US00D608227S

(12) **United States Design Patent**
Charleux et al.

(10) **Patent No.:** **US D608,227 S**
(45) **Date of Patent:** **** Jan. 19, 2010**

(54) **ANEMOMETER**

(75) Inventors: **Olivier Charleux**, Thyez (FR);
Matthieu Bonnaud, Cluses (FR)

(73) Assignee: **Somfy SAS**, Cluses (FR)

(**) Term: **14 Years**

(21) Appl. No.: **29/330,565**

(22) Filed: **Jan. 9, 2009**

(30) **Foreign Application Priority Data**

Jul. 10, 2008 (WO) DM/070 527

(51) **LOC (9) Cl.** **10-04**

(52) **U.S. Cl.** **D10/59**

(58) **Field of Classification Search** D10/59;
73/170.01, 170.07, 170.12, 861.85; 290/44,
290/55; 415/4.2; 416/197 A, 212 A

See application file for complete search history.

(56) **References Cited**

U.S. PATENT DOCUMENTS

2,252,788 A * 8/1941 Sparr 416/197 R
4,543,836 A * 10/1985 Call 73/861.85
D345,110 S * 3/1994 Lannie D10/59
6,158,278 A * 12/2000 Klinefelter 73/170.05
6,895,812 B2 * 5/2005 Dahlberg 73/170.01

* cited by examiner

Primary Examiner—Antoine D Davis

(74) *Attorney, Agent, or Firm*—Frommer Lawrence & Haug
LLP; Ronald R Santucci

(57) **CLAIM**

The ornamental design for an anemometer, as shown and
described.

DESCRIPTION

FIG. 1 is a front-left perspective view of the anemometer, in a
folded position;

FIG. 2 is a rear-right perspective view, in the folded position,
thereof;

FIG. 3 is a front-left perspective view, in the unfolded posi-
tion, thereof;

FIG. 4 is a top plan view, in the unfolded position, thereof;

FIG. 5 is a front elevation view, in the unfolded position,
thereof;

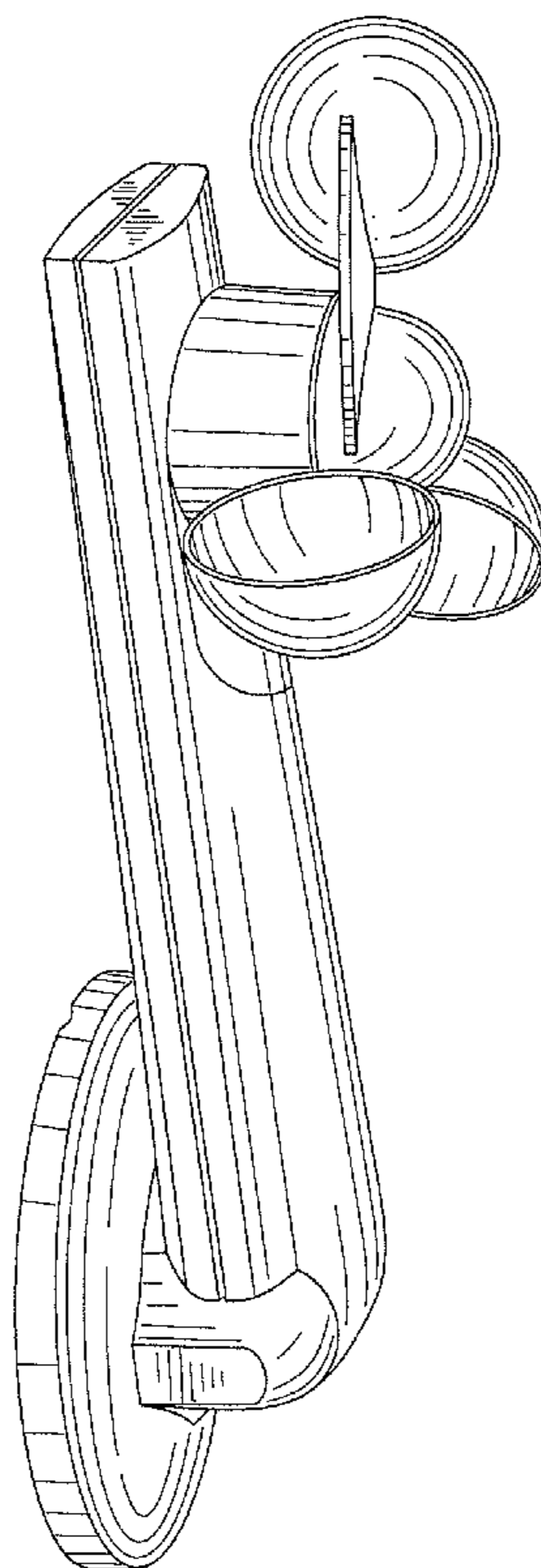
FIG. 6 is a right elevation view, in the unfolded position,
thereof;

FIG. 7 is a rear elevation, in the unfolded position, view
thereof;

FIG. 8 is a left elevation view, in the unfolded position,
thereof; and,

FIG. 9 is a bottom plan view, in the unfolded position, thereof.

1 Claim, 4 Drawing Sheets



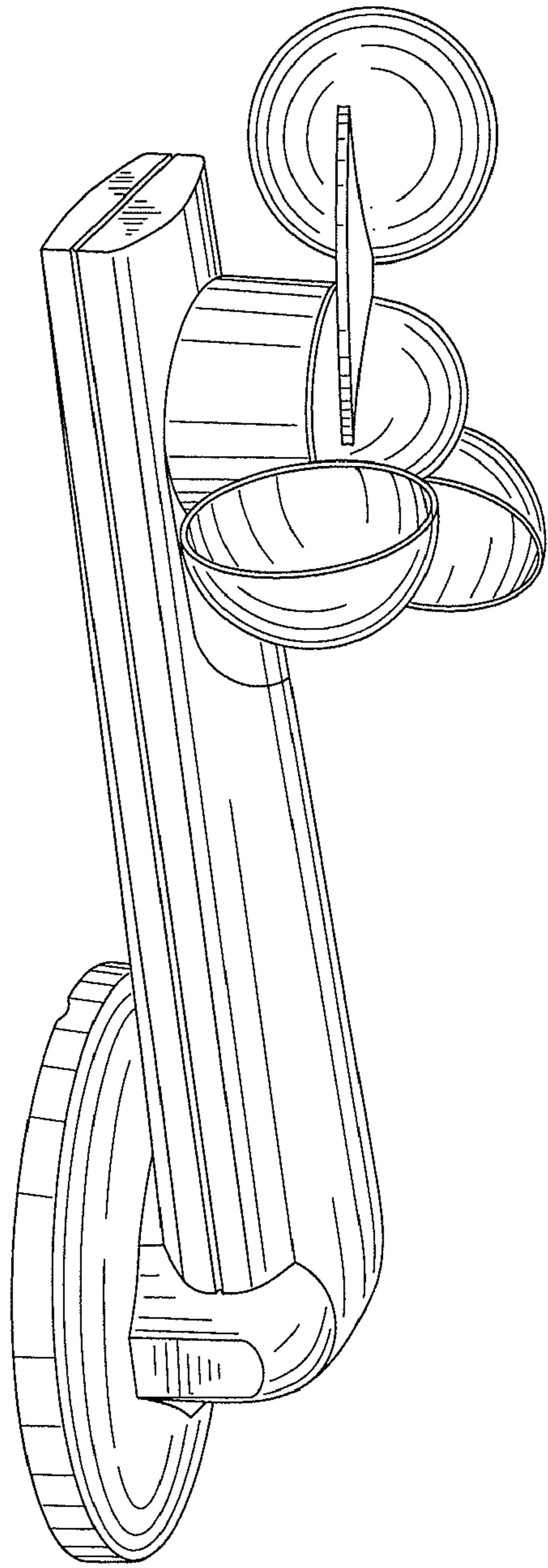


Fig. 1

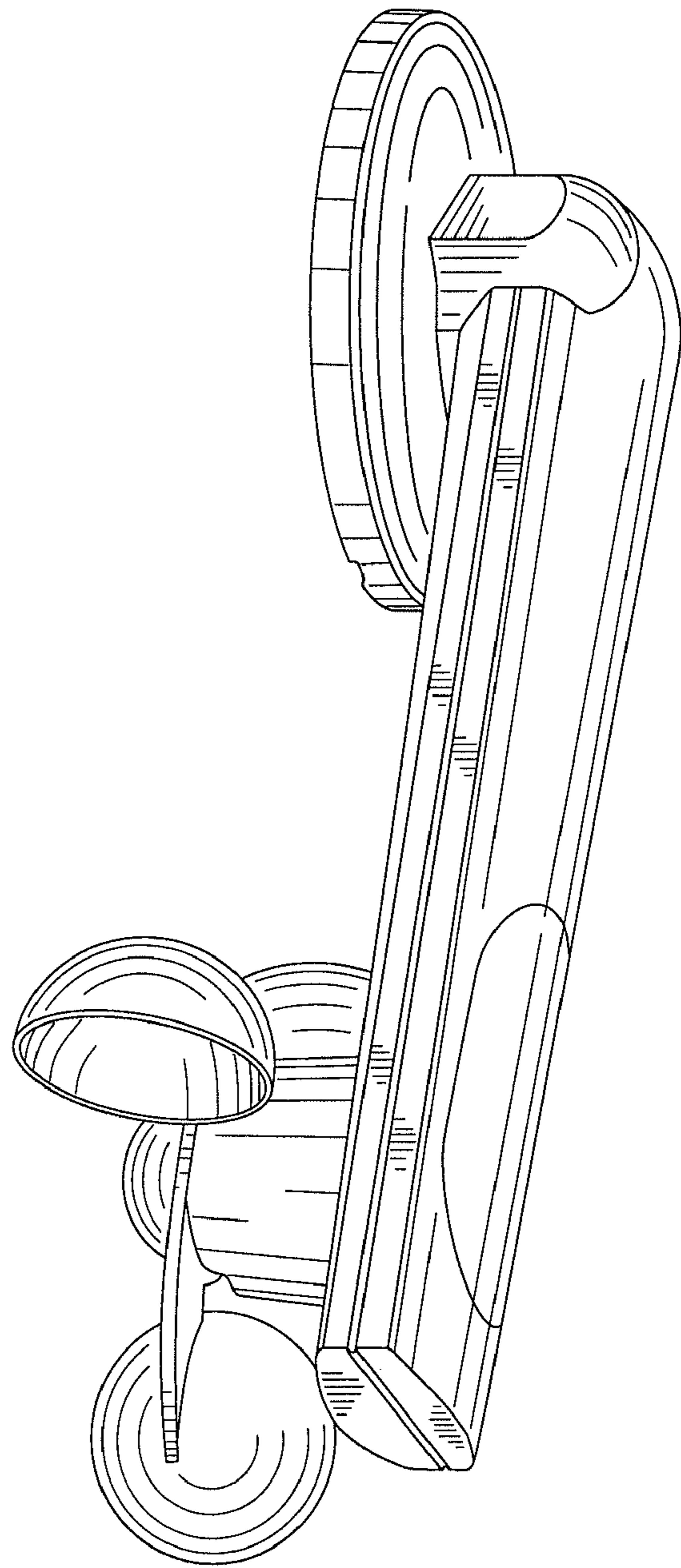


Fig. 2

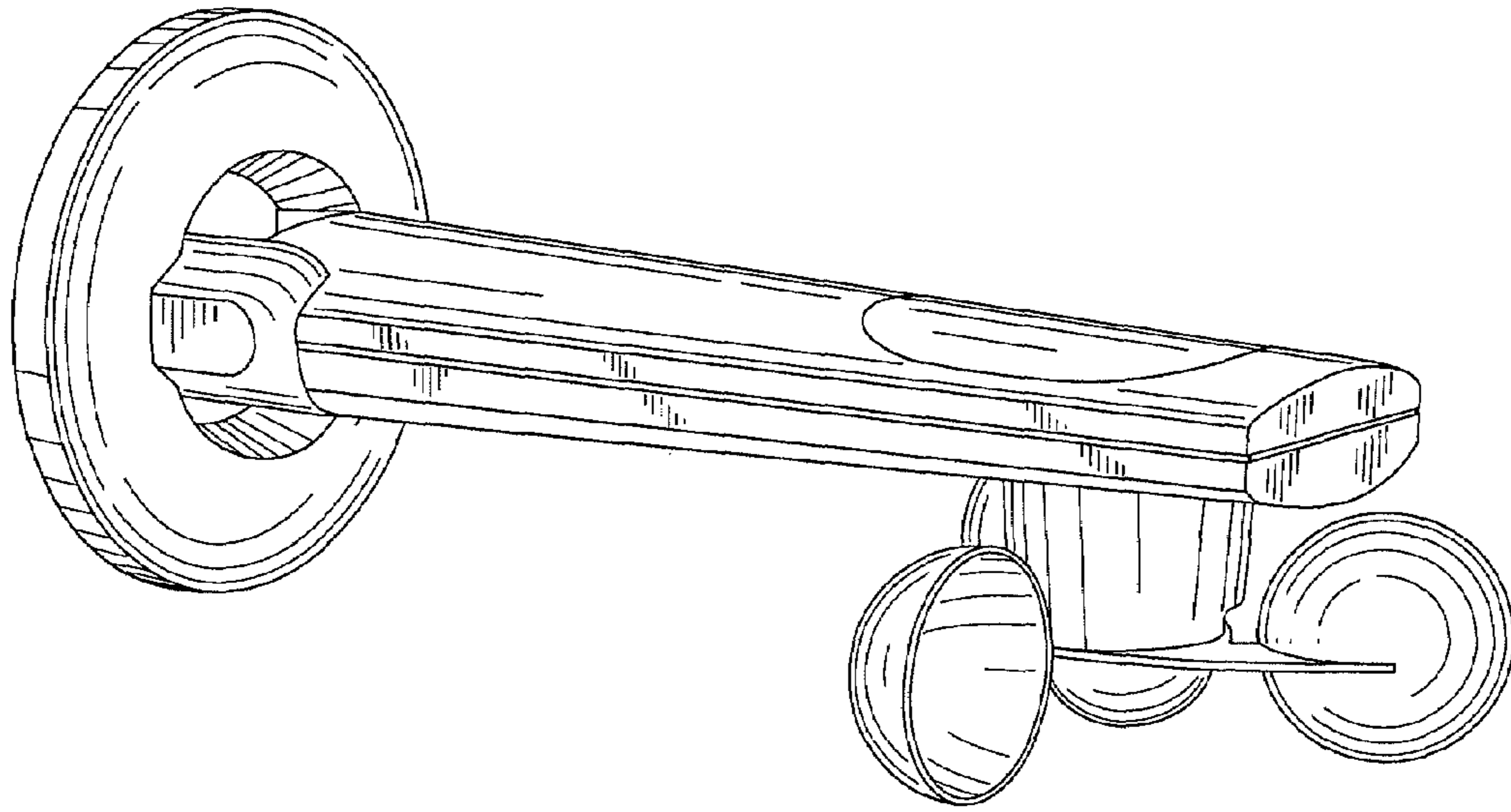


Fig. 3

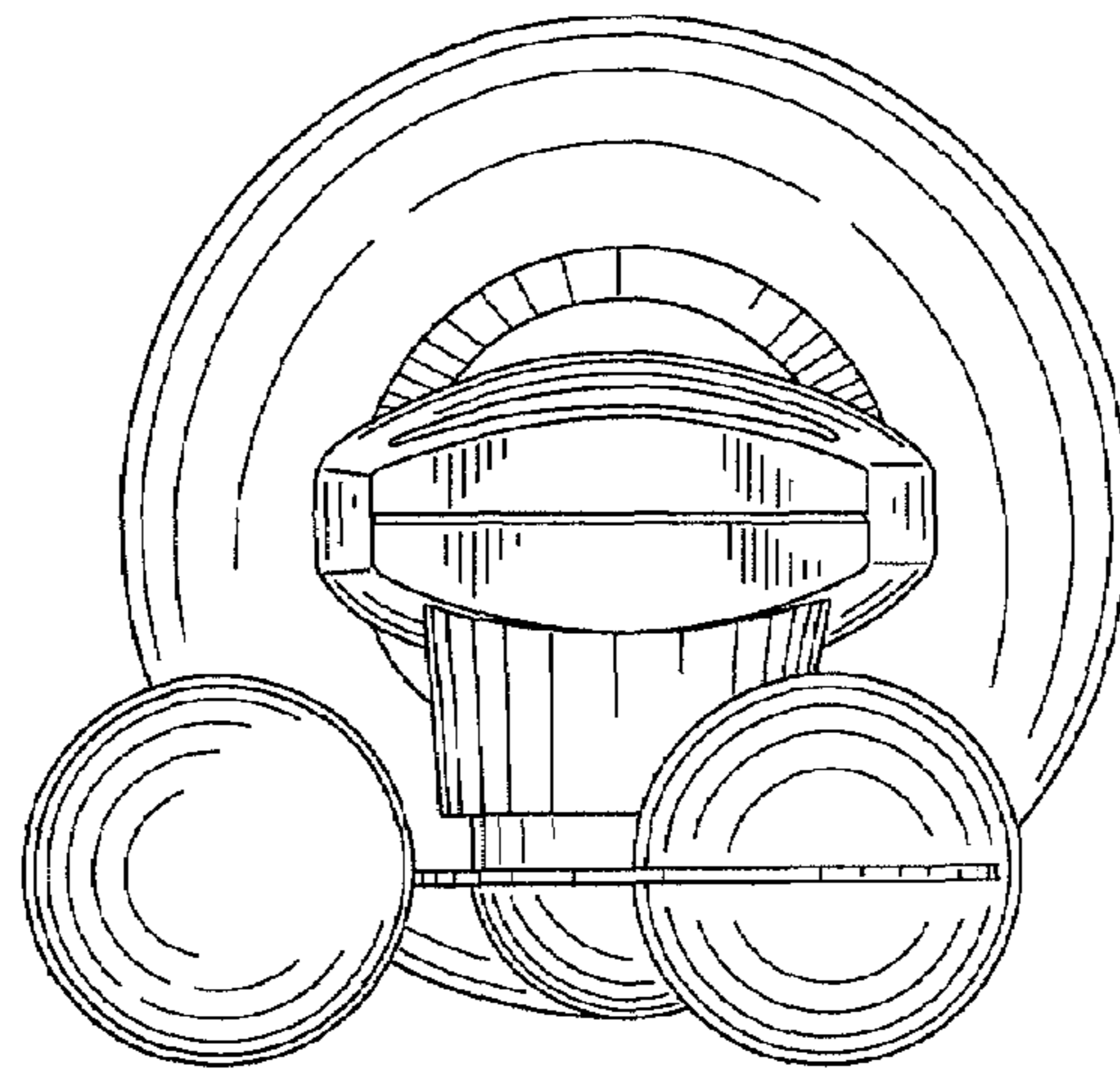


Fig. 4

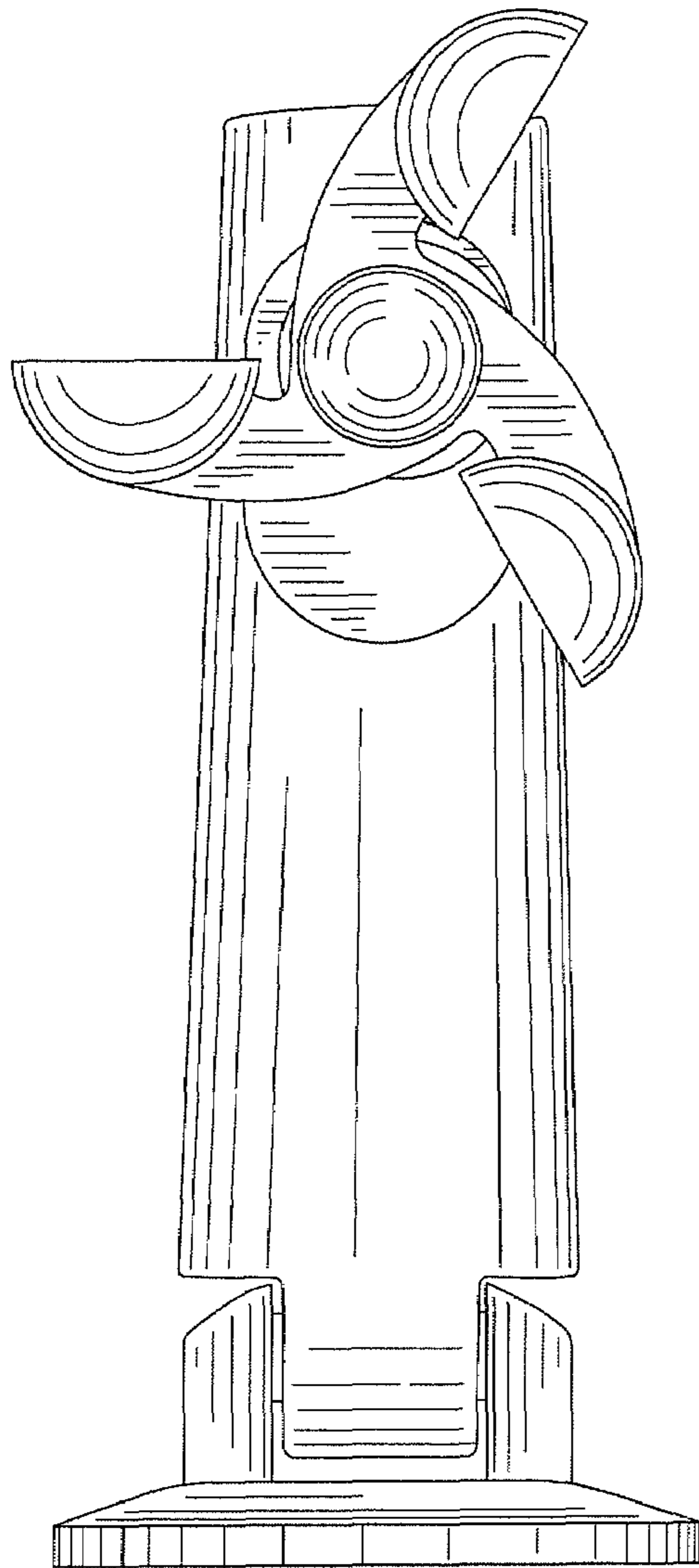


Fig. 5

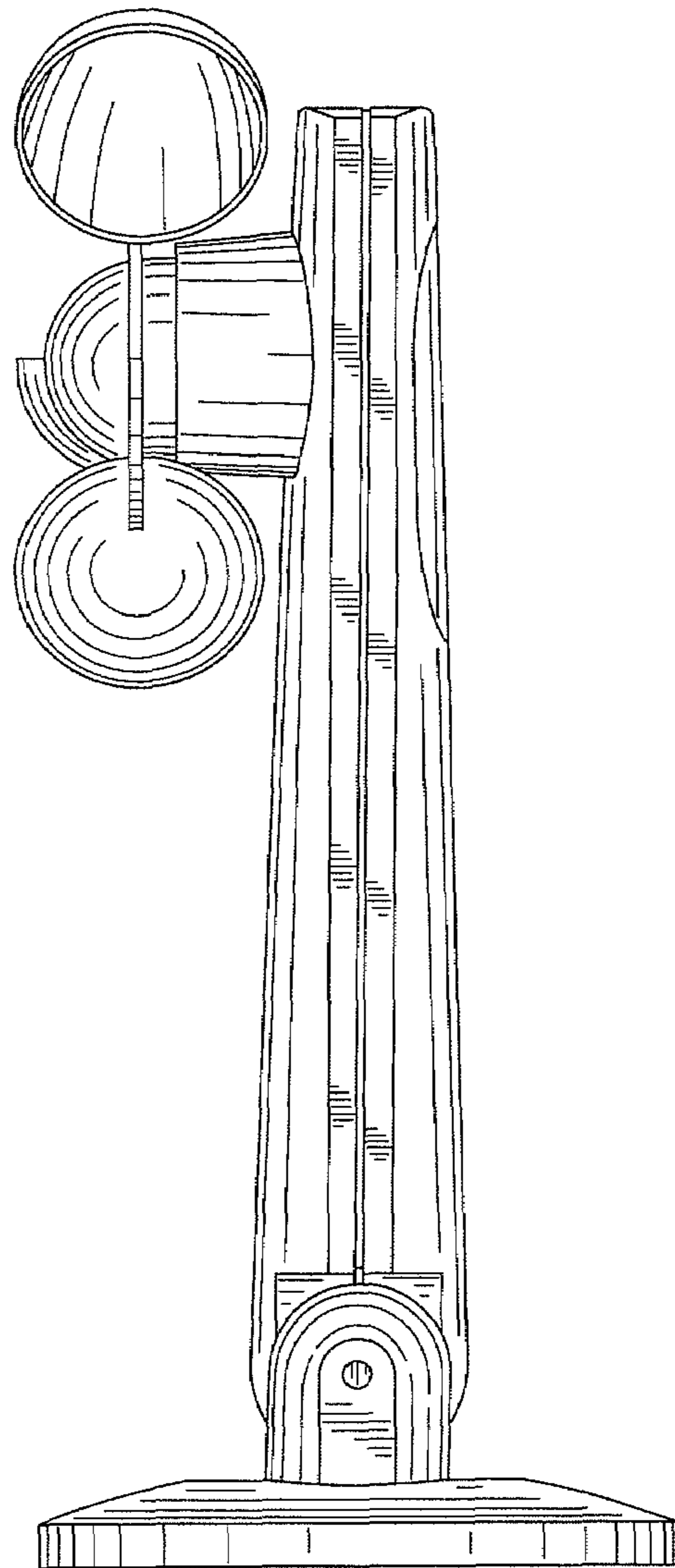


Fig. 6

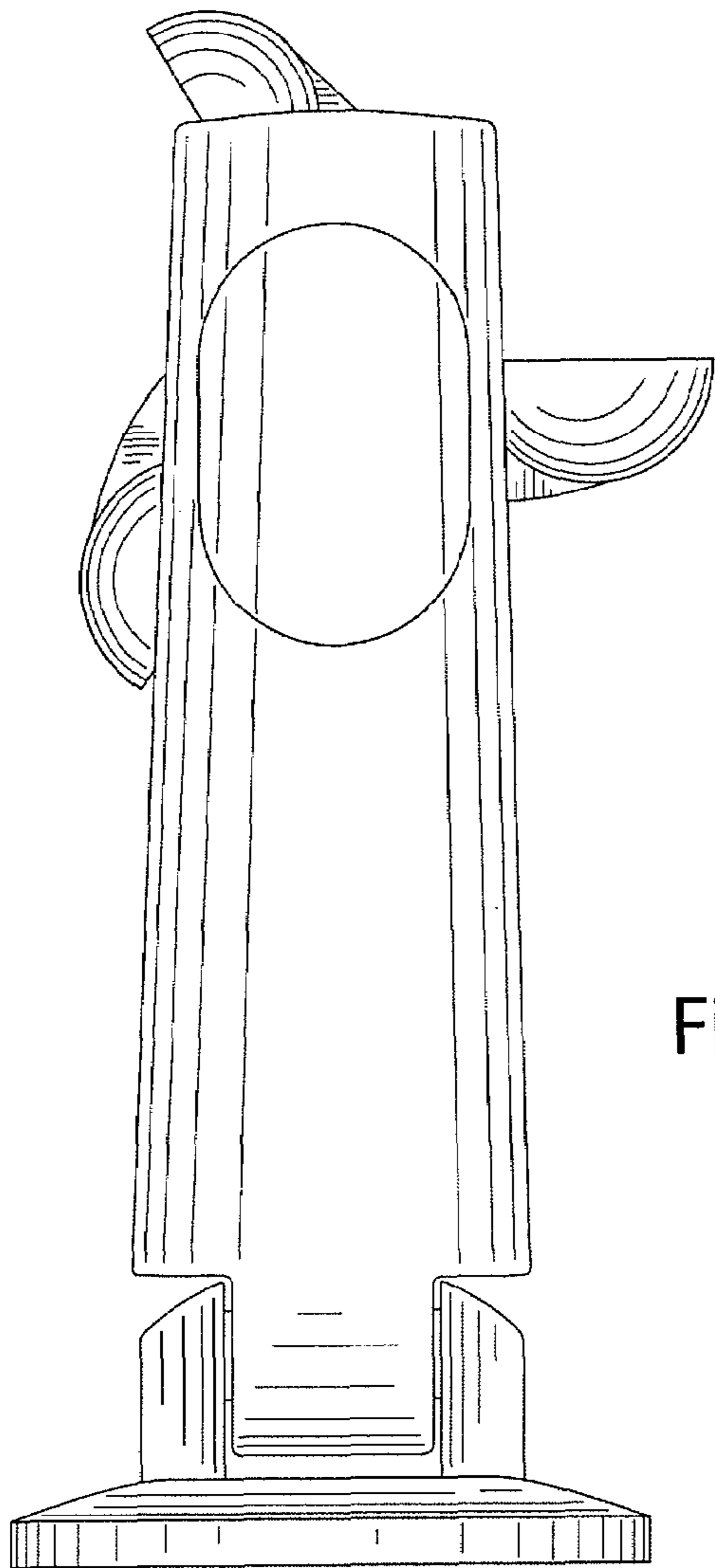


Fig. 7

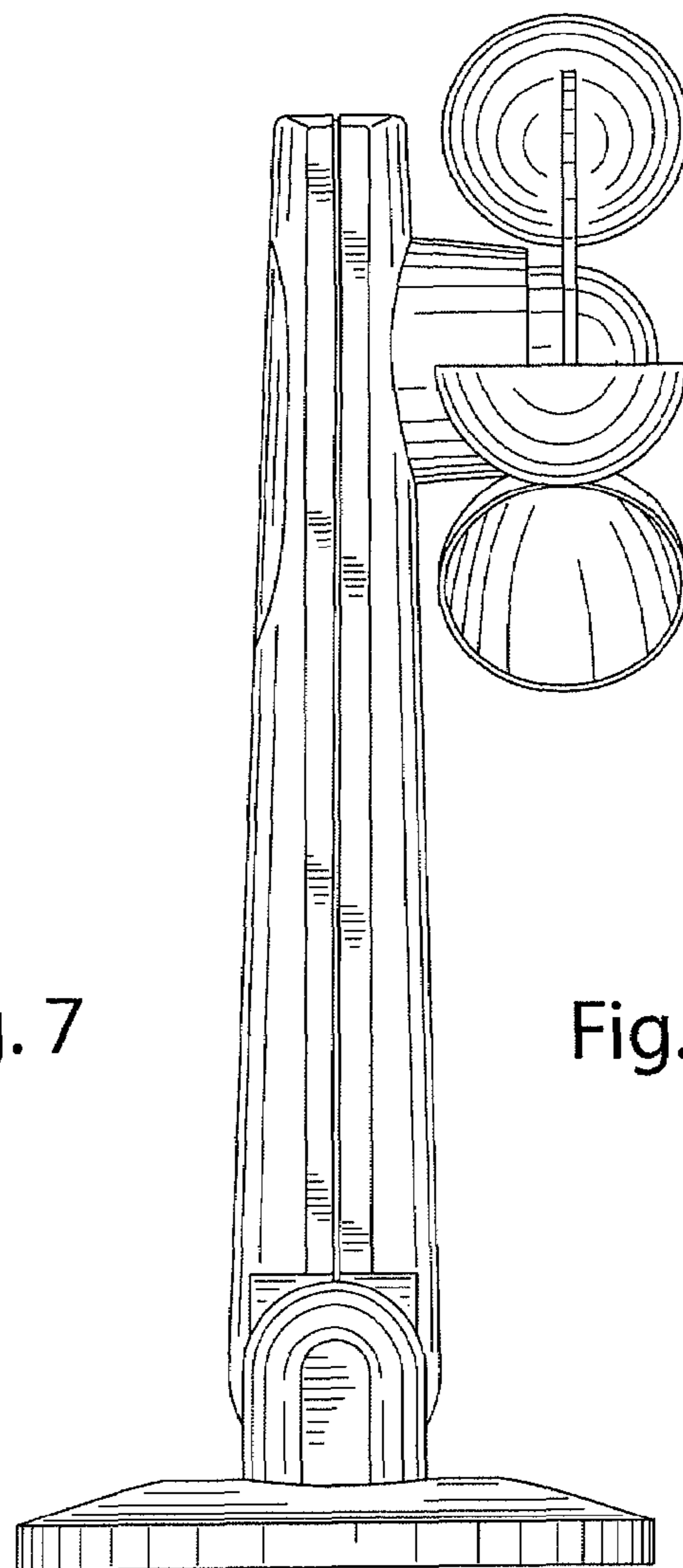


Fig. 8

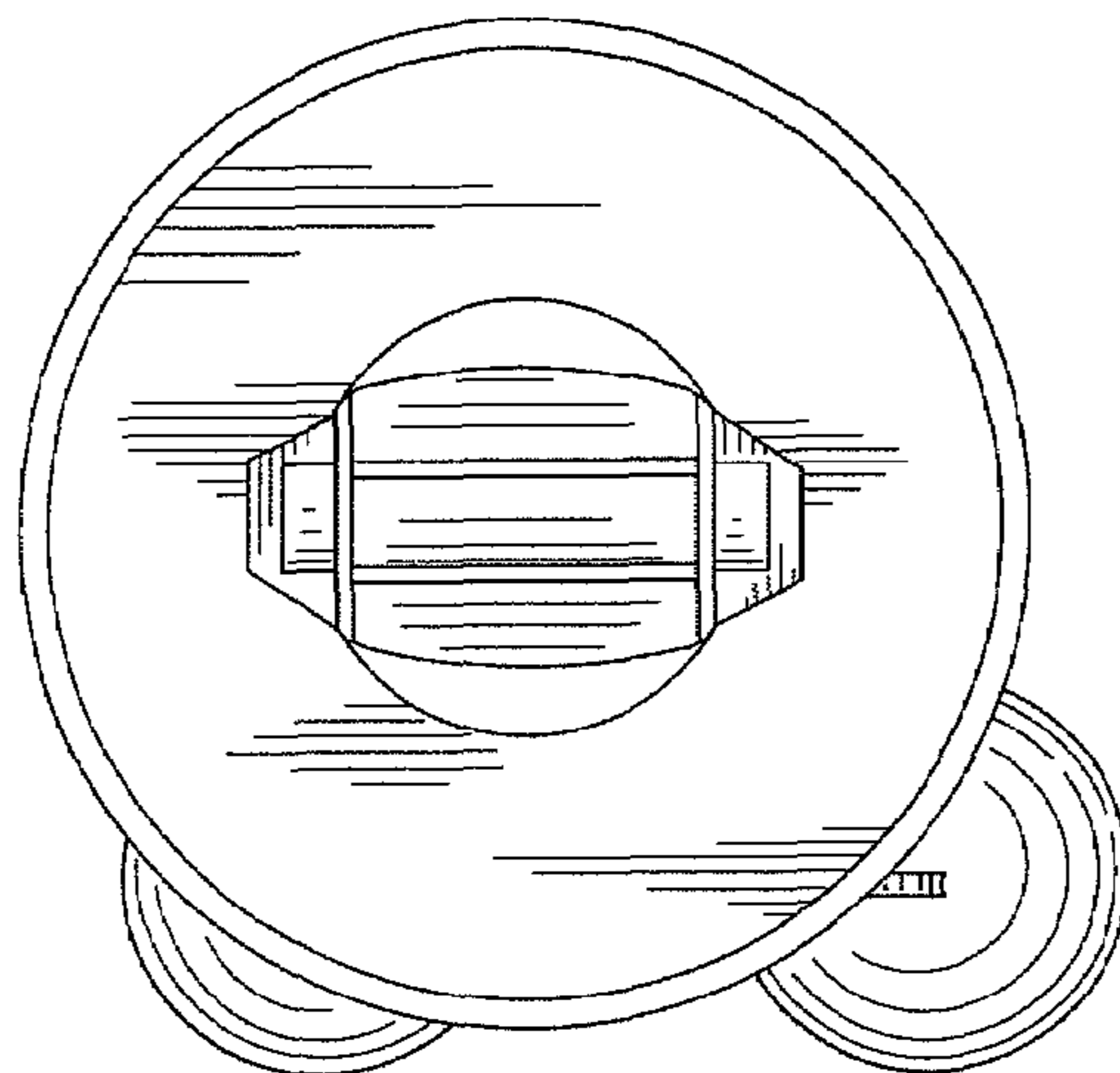


Fig. 9