



US00D608225S

(12) **United States Design Patent**  
**Giroud**

(10) **Patent No.:** **US D608,225 S**

(45) **Date of Patent:** **\*\* Jan. 19, 2010**

(54) **WRIST WATCH**

(75) Inventor: **Eric Giroud**, Genève (CH)

(73) Assignee: **Swarovski Aktiengesellschaft**, Triesen (LI)

(\*\*) Term: **14 Years**

(21) Appl. No.: **29/338,865**

(22) Filed: **Jun. 19, 2009**

(30) **Foreign Application Priority Data**

Dec. 22, 2008 (EM) ..... 001060966-0003

(51) **LOC (9) Cl.** ..... **10-02**

(52) **U.S. Cl.** ..... **D10/39**

(58) **Field of Classification Search** ..... D10/30-39,  
D10/122-132; 368/276, 281, 282, 285, 223,  
368/228, 232, 80

See application file for complete search history.

(56) **References Cited**

**U.S. PATENT DOCUMENTS**

3,901,023 A \* 8/1975 Uebelhardt ..... 368/281  
D292,678 S \* 11/1987 Takeichi ..... D10/39  
D312,793 S \* 12/1990 Fujiwara ..... D10/39  
D338,838 S \* 8/1993 Byrne ..... D10/39  
D383,396 S \* 9/1997 Houlihan ..... D10/30  
D394,215 S \* 5/1998 Riley et al. .... D10/30  
D399,757 S \* 10/1998 Riley et al. .... D10/30

D444,078 S \* 6/2001 Strasser ..... D10/39  
D490,722 S \* 6/2004 Weismann et al. .... D10/39  
D551,095 S \* 9/2007 Monachon ..... D10/32  
D559,123 S \* 1/2008 Modolo ..... D10/32  
D559,124 S \* 1/2008 Modolo ..... D10/32  
D566,581 S \* 4/2008 Giannini ..... D10/32  
D581,811 S \* 12/2008 Messmer et al. .... D10/32  
D601,439 S \* 10/2009 Jorst et al. .... D10/32

\* cited by examiner

*Primary Examiner*—Lucy Lieberman

(74) *Attorney, Agent, or Firm*—Wenroth, Lind & Ponack, L.L.P.

(57) **CLAIM**

The ornamental design for a wrist watch, as shown.

**DESCRIPTION**

FIG. 1 is a front elevation of a wrist watch showing my new design;

FIG. 2 is a side elevation as seen from the right side of FIG. 1;

FIG. 3 is a plan view as seen from the bottom of FIG. 1;

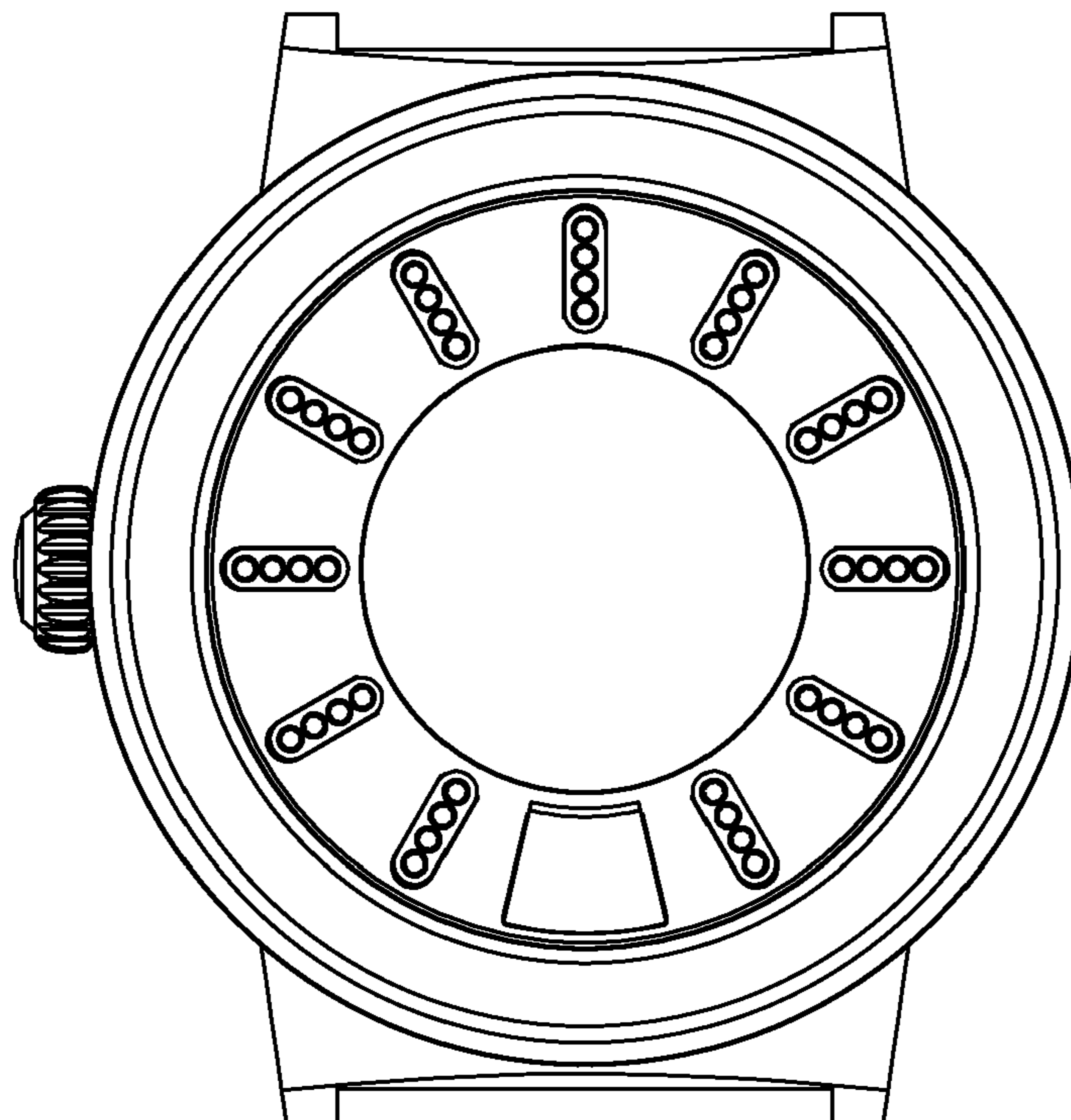
FIG. 4 is a plan view as seen from the top of FIG. 1;

FIG. 5 is a rear elevation thereof;

FIG. 6 is a side elevation as seen from the left side of FIG. 1; and,

FIG. 7 is a perspective view thereof.

**1 Claim, 2 Drawing Sheets**



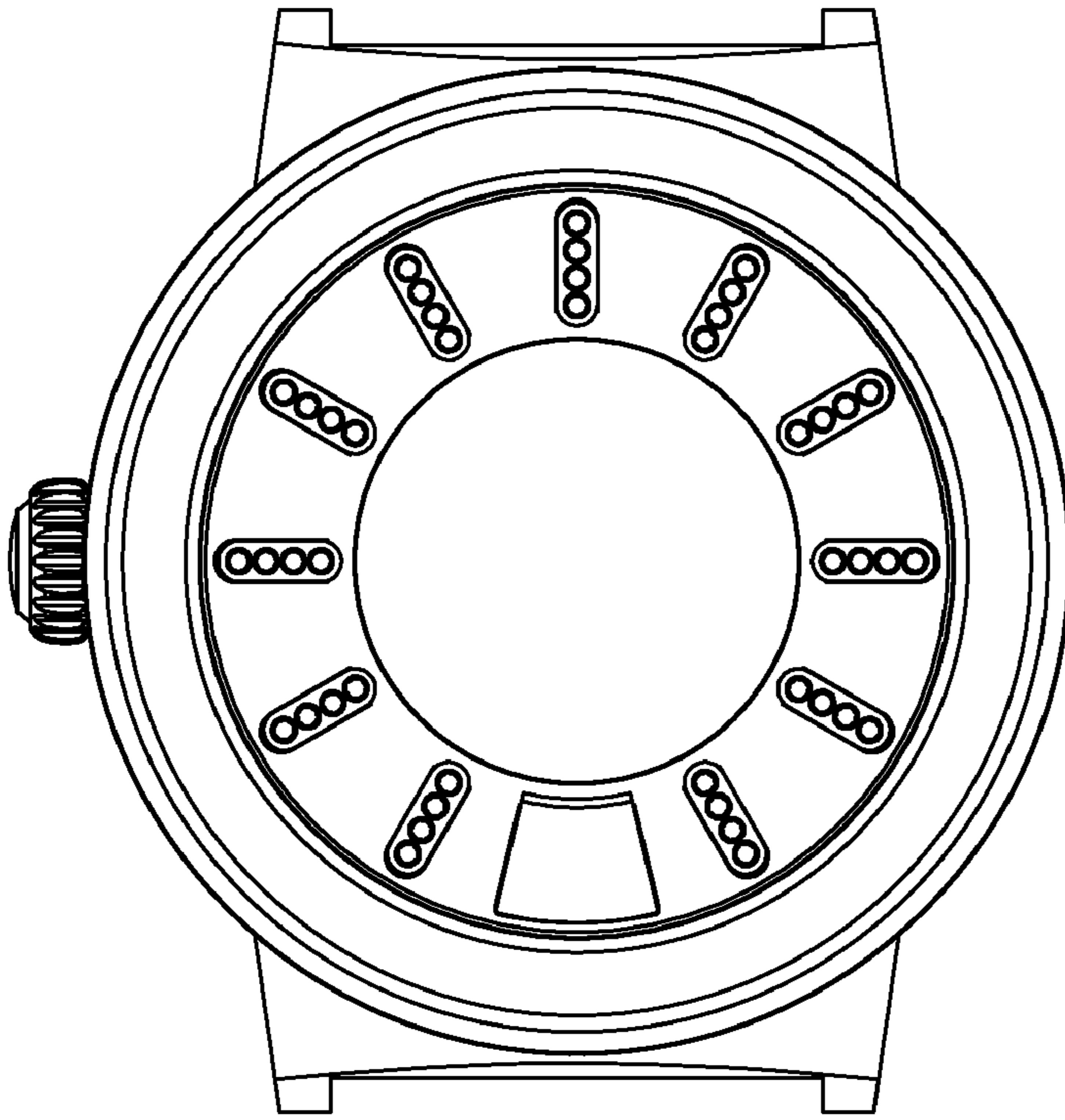


Fig. 1

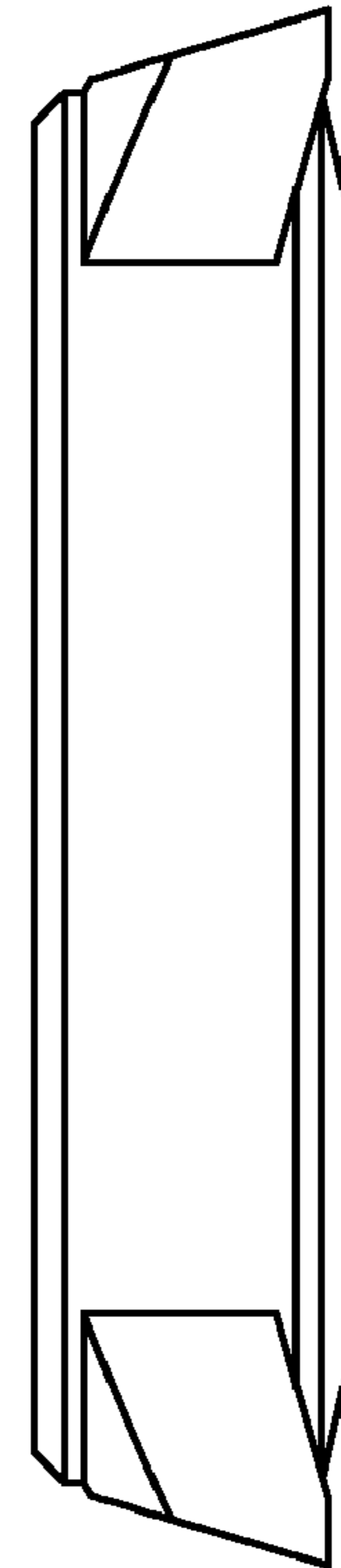


Fig. 2

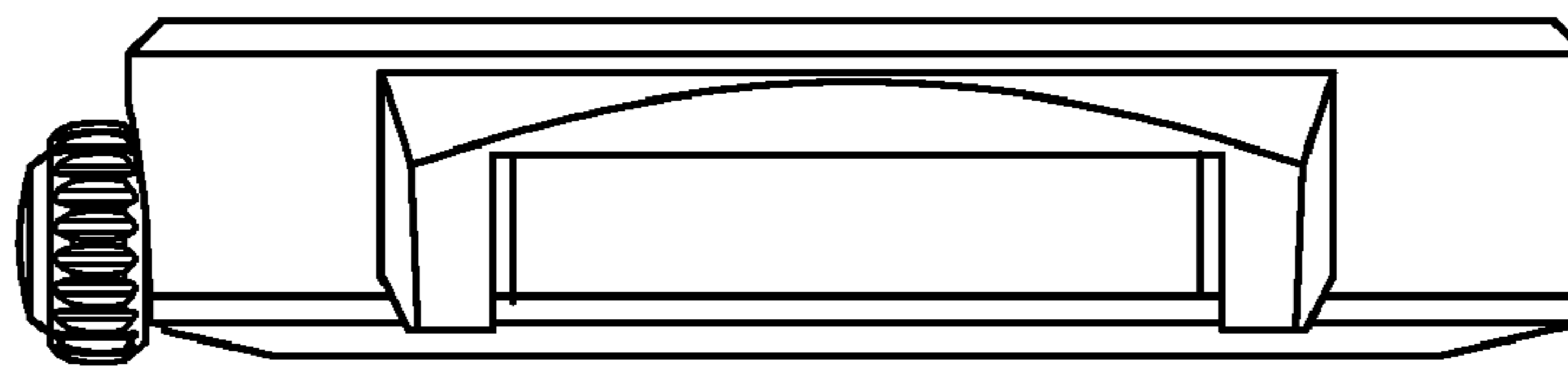


Fig. 3

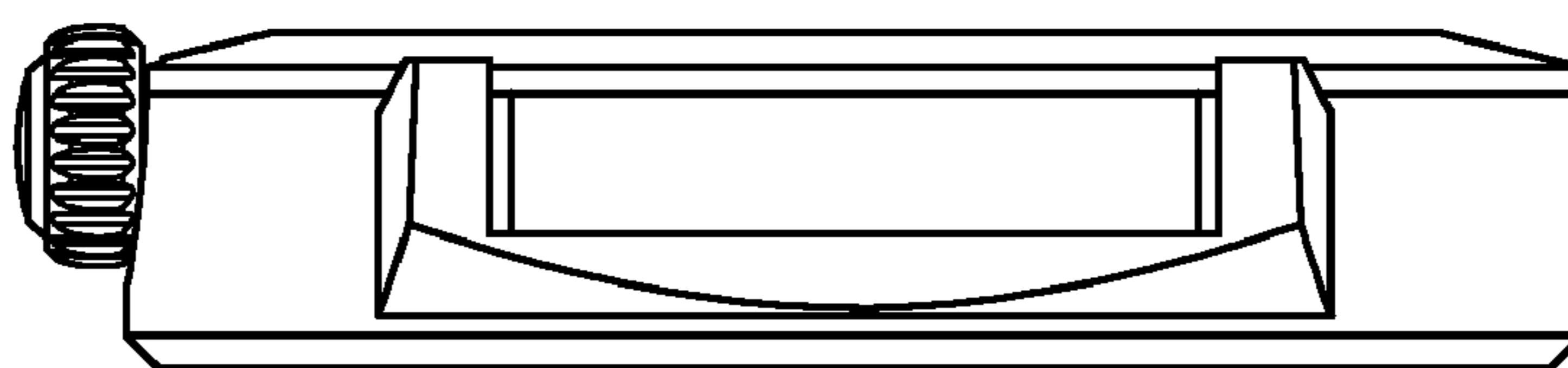


Fig. 4

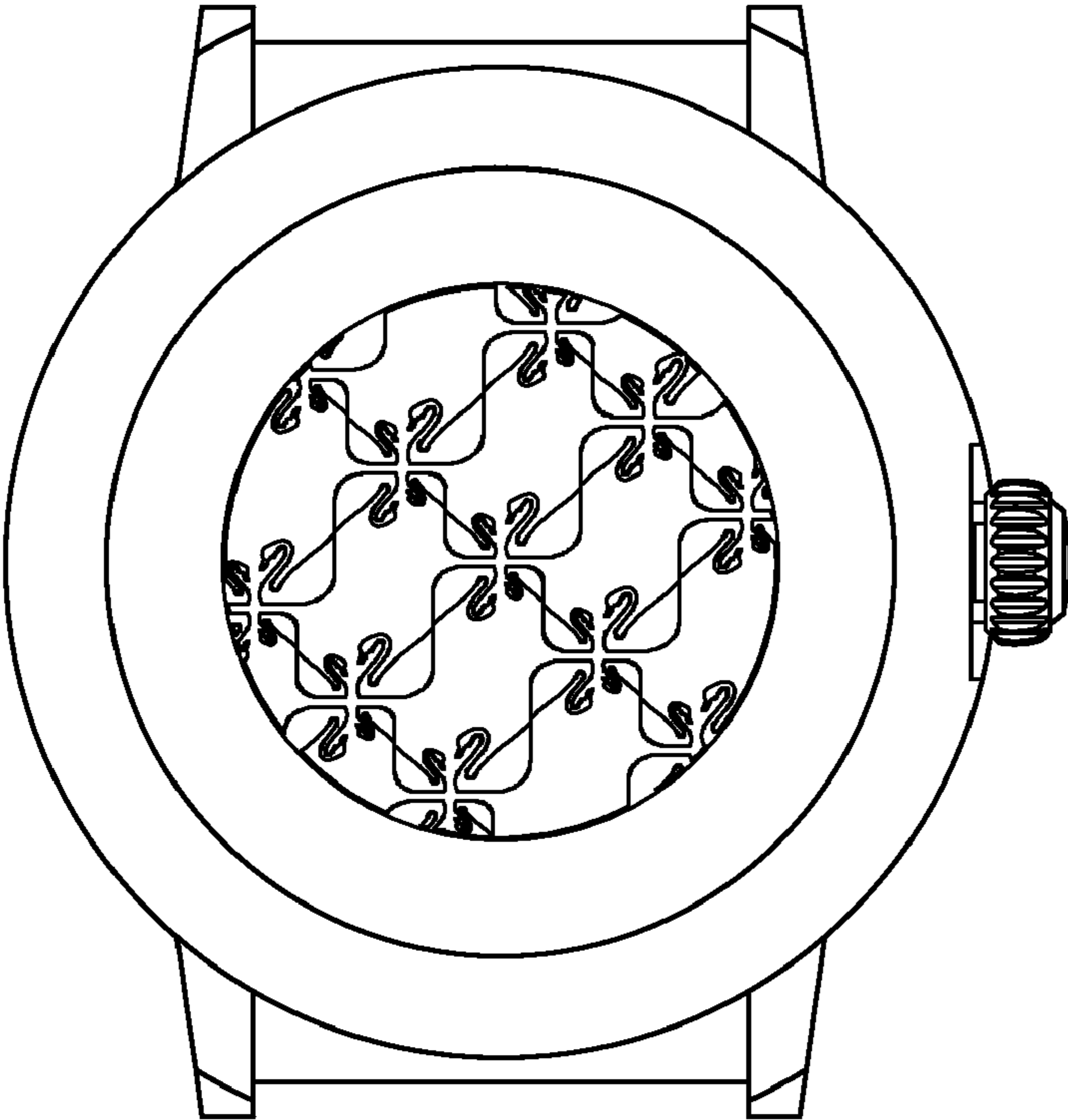


Fig. 5

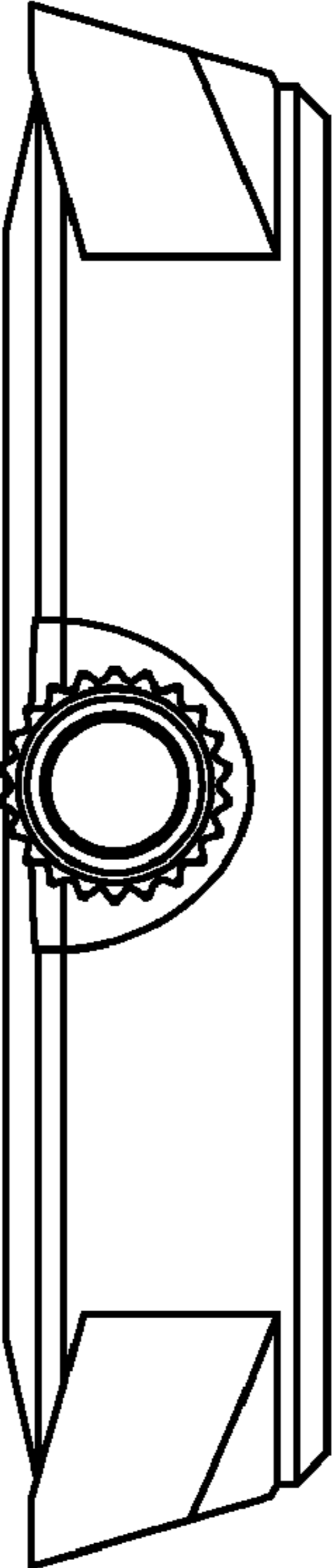


Fig. 6

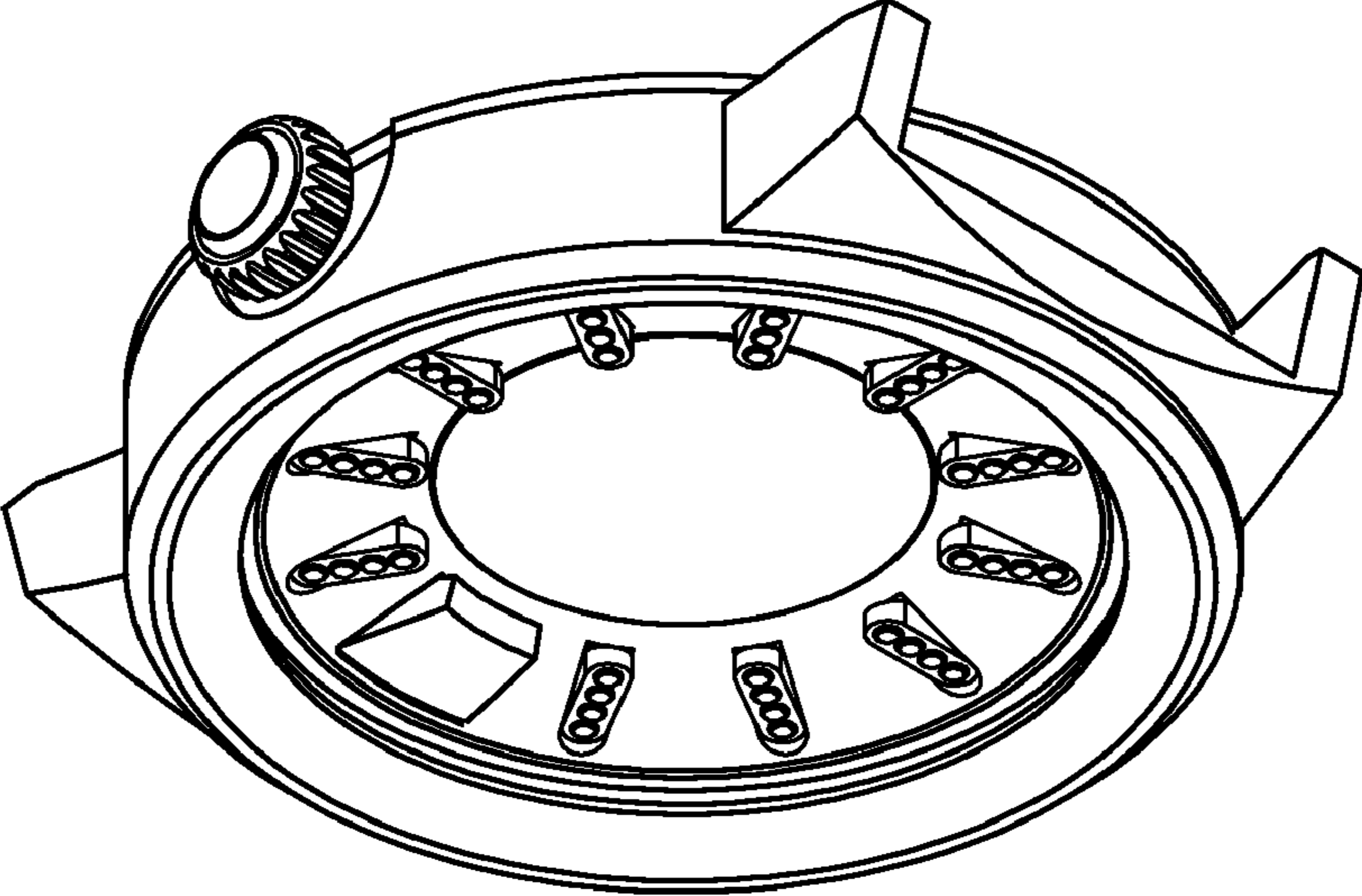


Fig. 7