



US00D608224S

(12) **United States Design Patent**
Goyet

(10) **Patent No.:** **US D608,224 S**

(45) **Date of Patent:** **** Jan. 19, 2010**

(54) **WATCH**

(75) **Inventor:** **Damien Goyet, Winkel (FR)**

(73) **Assignee:** **Swatch AG (Swatch SA) (Swatch Ltd.),**
Biel/Bienne (CH)

(**) **Term:** **14 Years**

(21) **Appl. No.:** **29/335,931**

(22) **Filed:** **Apr. 24, 2009**

(51) **LOC (9) Cl.** **10-02**

(52) **U.S. Cl.** **D10/38**

(58) **Field of Classification Search** D10/30-39;
368/276, 281, 282, 285, 82-84, 239-242,
368/223

See application file for complete search history.

(56) **References Cited**

U.S. PATENT DOCUMENTS

3,566,602	A *	3/1971	Bergey	368/79
3,576,099	A *	4/1971	Walton	368/83
D225,429	S *	12/1972	Vuilleumier	D10/38
3,768,247	A *	10/1973	Fujita	368/160
D229,213	S *	11/1973	Sasaki	D10/38
3,786,626	A *	1/1974	Hurt	368/283
3,822,547	A *	7/1974	Fujita	368/70
3,841,083	A *	10/1974	Bergey	368/67
D238,936	S *	2/1976	Miyata	D10/30
D239,373	S *	3/1976	Huckenbeck	D10/38
D239,511	S *	4/1976	Watson	D10/38

3,974,637	A *	8/1976	Bergey et al.	368/68
D242,774	S *	12/1976	Huguenin	D10/38
4,006,587	A *	2/1977	Huguenin	368/281
D249,024	S *	8/1978	Ackerman	D10/30
D279,671	S *	7/1985	Stanton	D14/192
D523,355	S *	6/2006	Pozzan	D10/30
D558,067	S *	12/2007	Carbonatto	D10/38

* cited by examiner

Primary Examiner—Lucy Lieberman

(74) *Attorney, Agent, or Firm*—Collen IP; Donald J. Ranft

(57) **CLAIM**

The ornamental design for a watch, as shown and described.

DESCRIPTION

FIG. 1 is a top view of my new, original and ornamental design for a watch;

FIG. 2 is a bottom view thereof;

FIG. 3 is a front view thereof;

FIG. 4 is a rear view thereof;

FIG. 5 is a left side view thereof;

FIG. 6 is a right side view thereof;

FIG. 7 is a front perspective view thereof; and,

FIG. 8 is a bottom perspective view thereof.

The broken lines showing the time in FIGS. 1, 3 and 7 are for illustrative purposes only and do not form part of the claimed design.

1 Claim, 4 Drawing Sheets

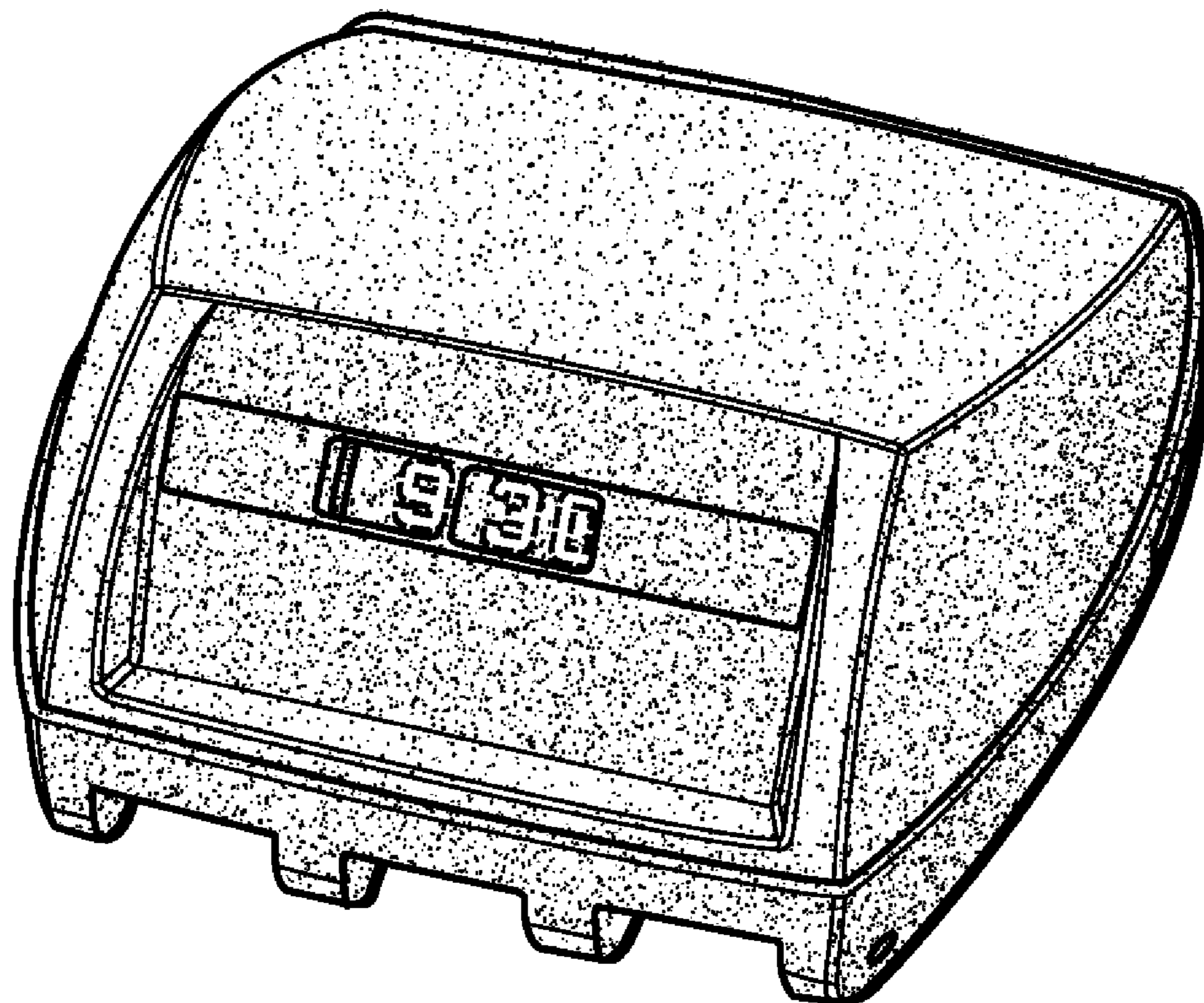


Fig. 1

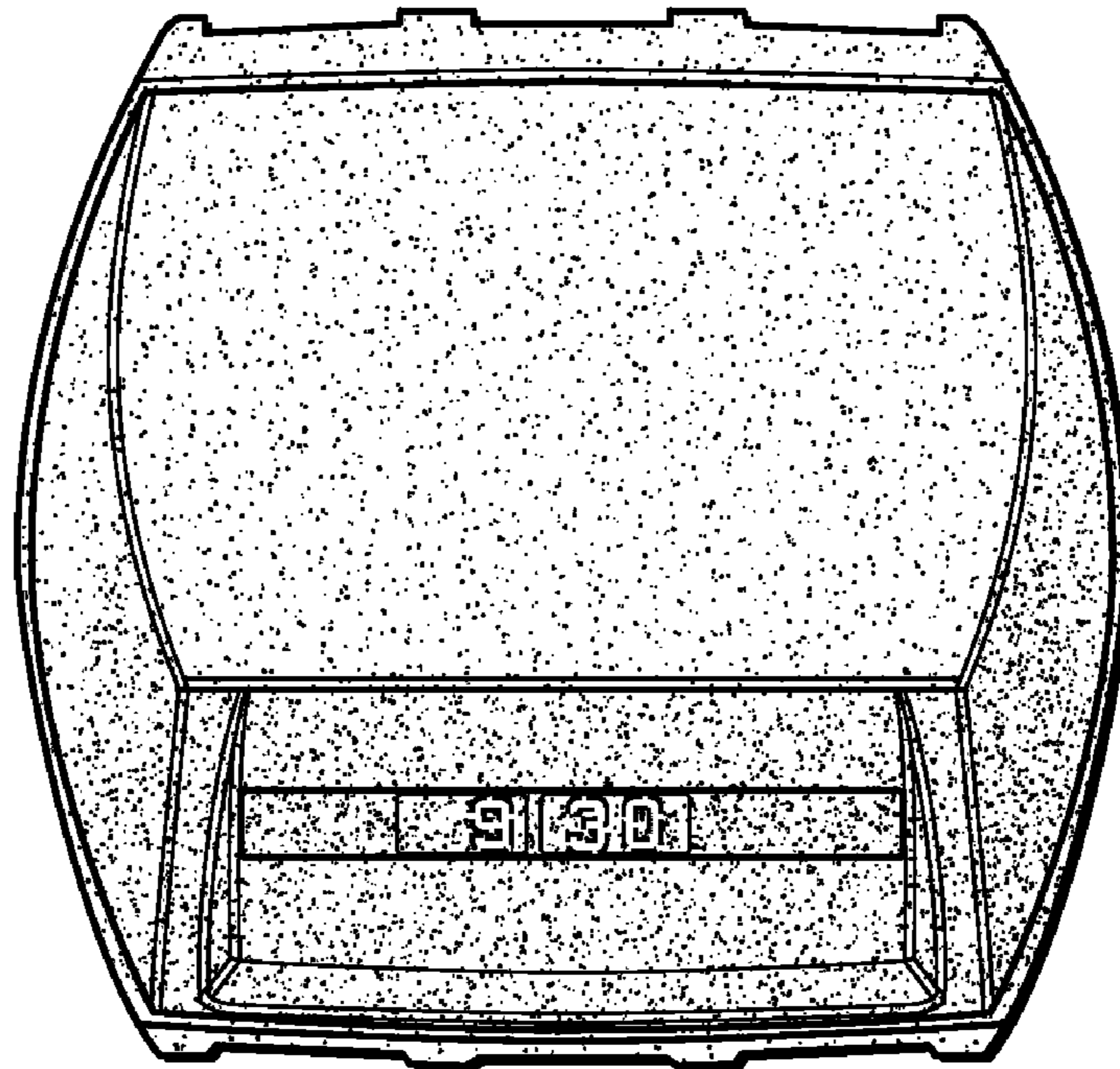


Fig. 2

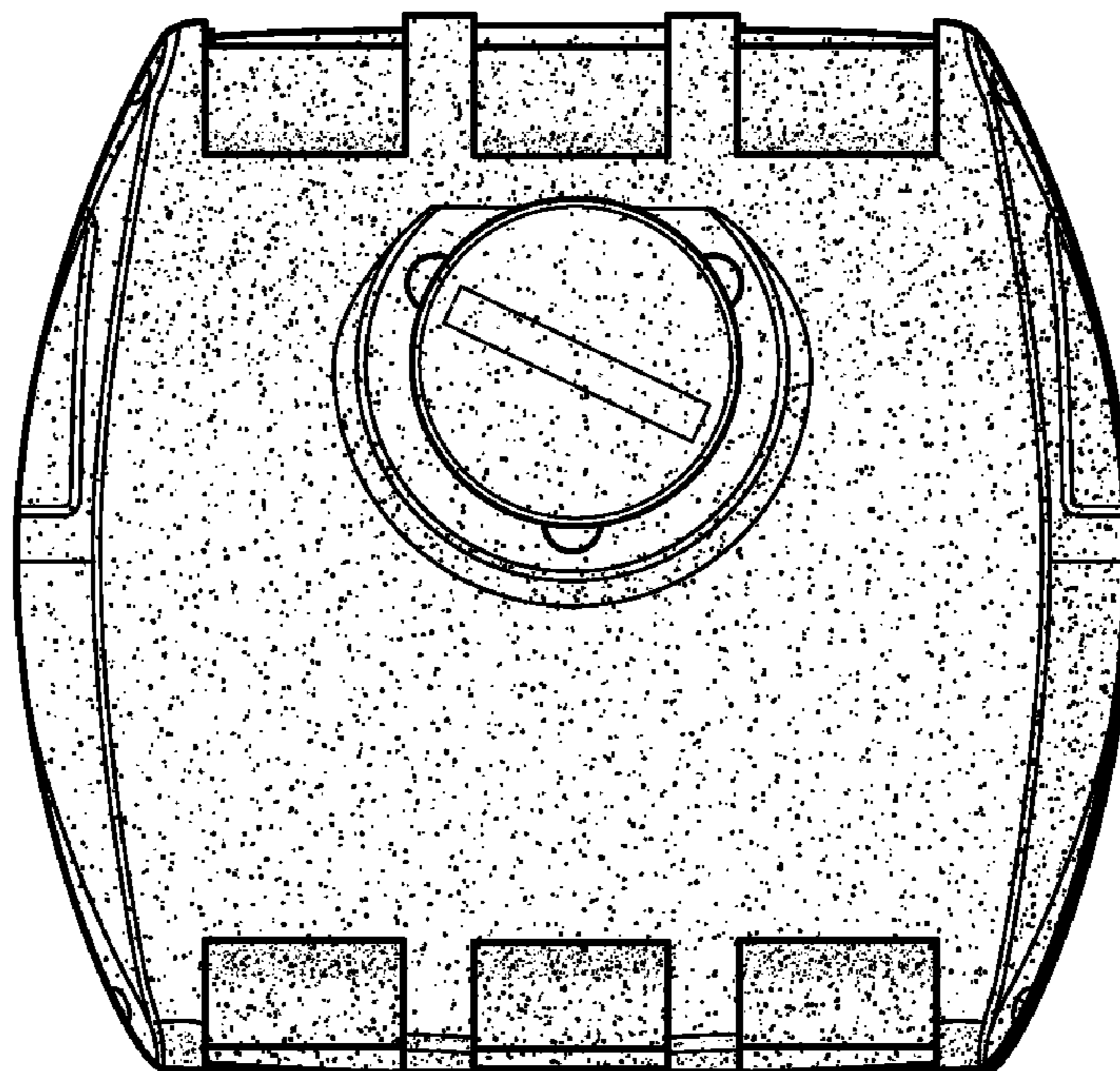


Fig. 3



Fig. 4

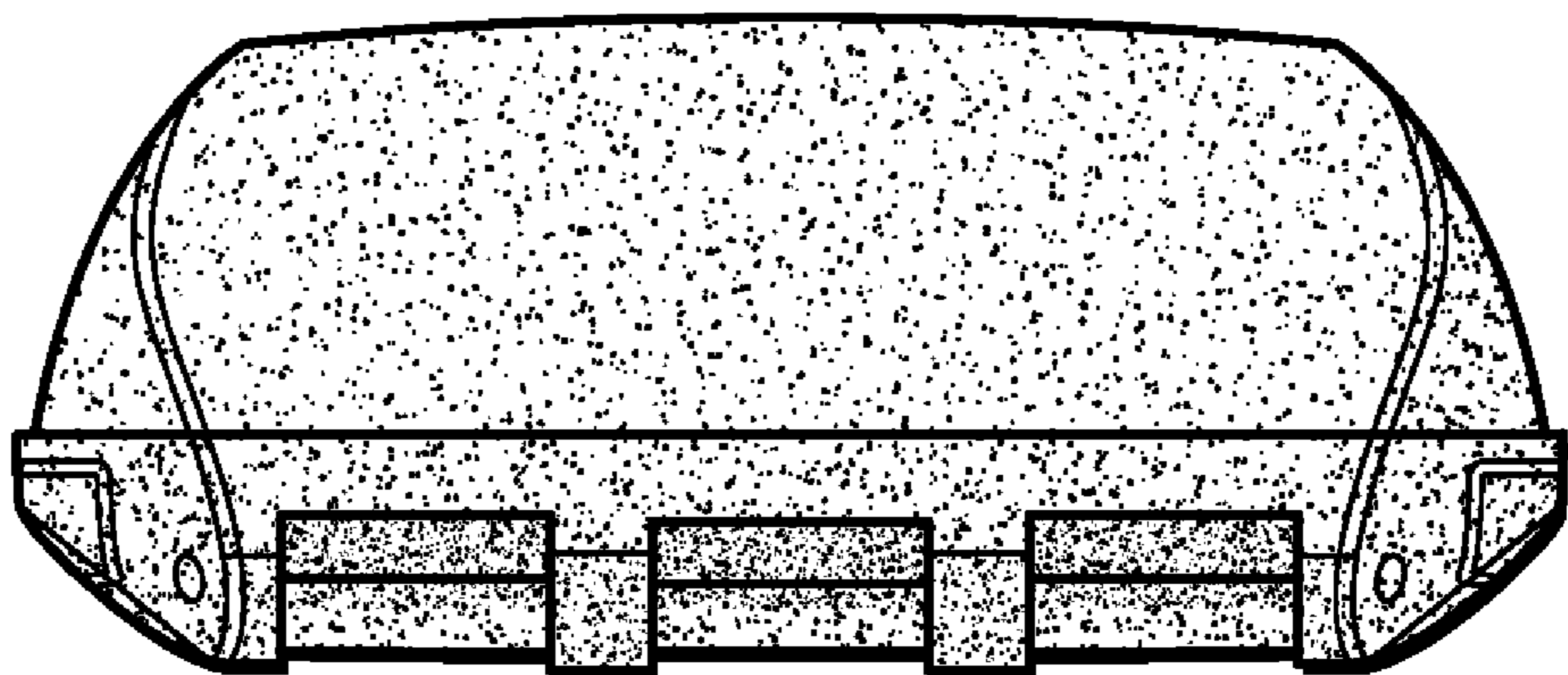


Fig. 5

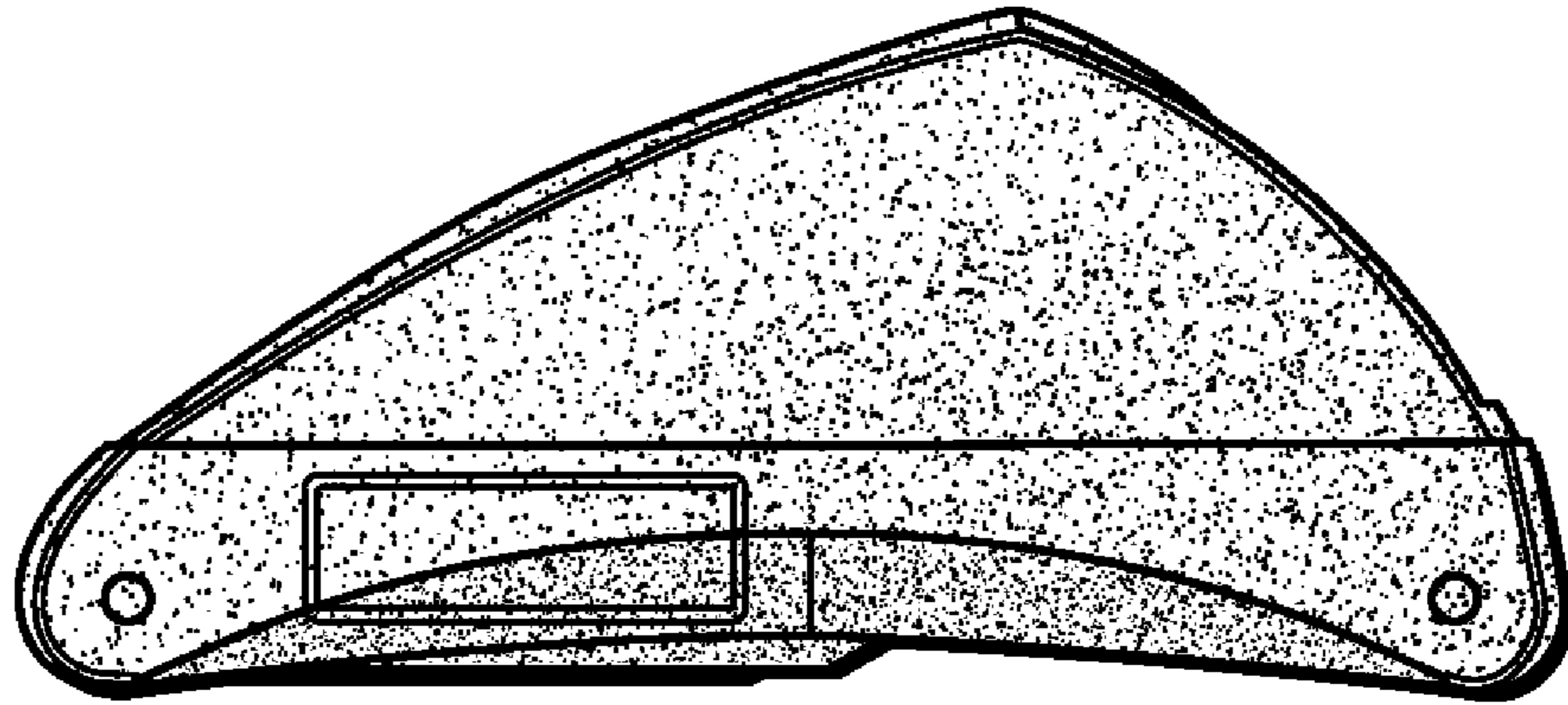


Fig. 6

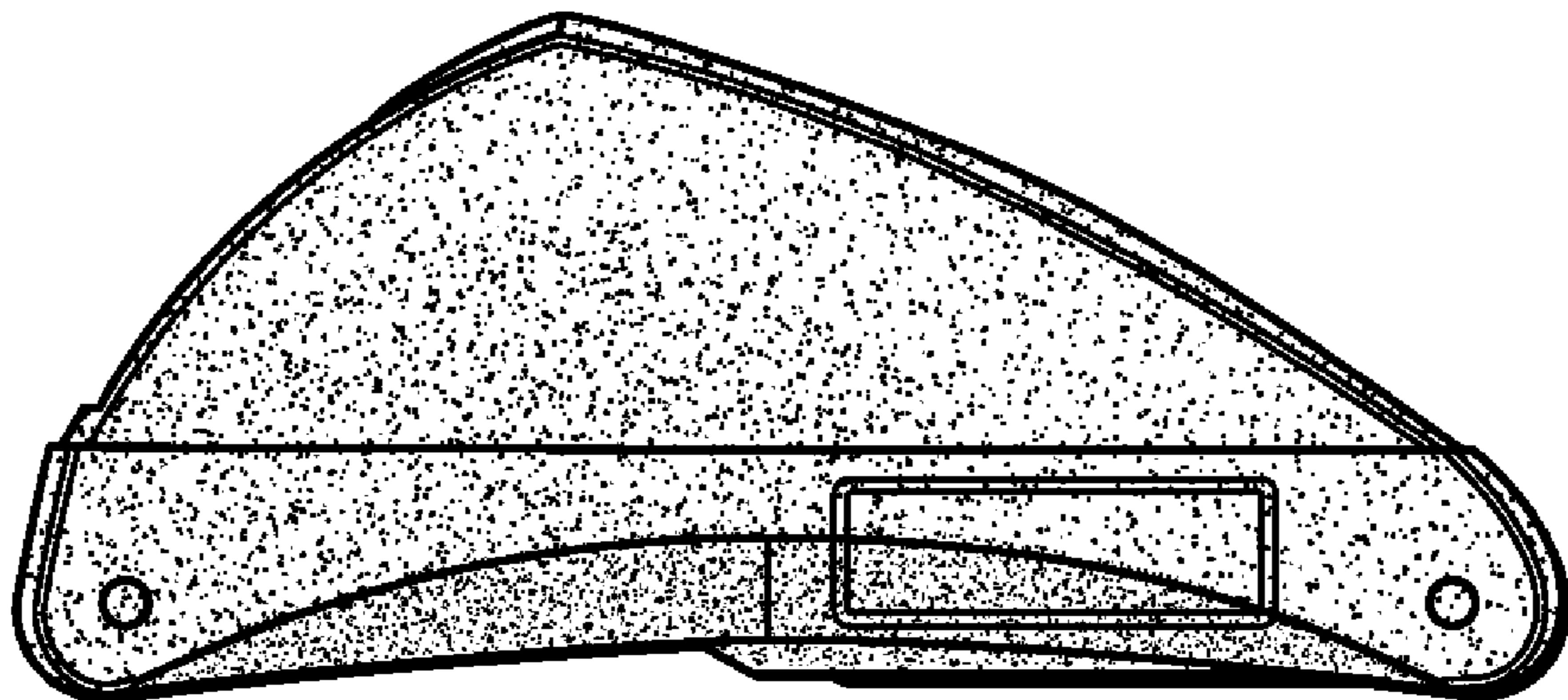


Fig. 7

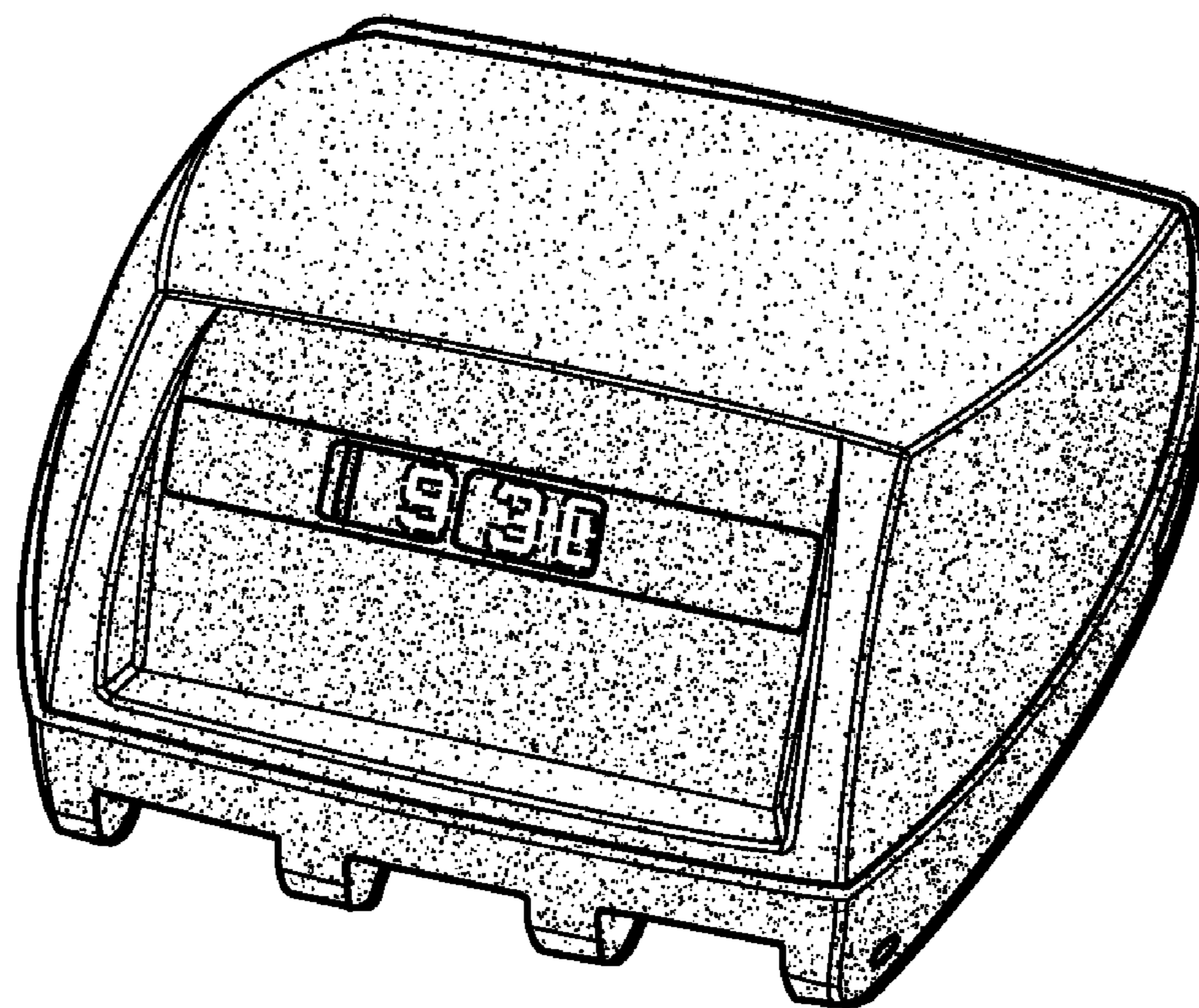


Fig. 8

