



US00D608218S

(12) **United States Design Patent**
Llewellyn et al.

(10) **Patent No.:** **US D608,218 S**
(45) **Date of Patent:** **** Jan. 19, 2010**

(54) **SPRAY BOTTLE**

(75) Inventors: **Timothy James Llewellyn**, London (GB); **Dominic Peter Hale**, London (GB)

(73) Assignee: **Niconovum AB**, Helsingborg (SE)

(**) Term: **14 Years**

(21) Appl. No.: **29/337,302**

(22) Filed: **May 19, 2009**

(30) **Foreign Application Priority Data**

Mar. 5, 2009 (EM) 001098578

(51) **LOC (9) Cl.** **09-01**

(52) **U.S. Cl.** **D9/682**

(58) **Field of Classification Search** D9/682-694, D9/516-575, 435, 436, 440, 447-450, 719, D9/723-729; D24/110, 110.4, 110.5, 112, D24/113, 117, 119; D28/7, 76, 77, 85-90, D28/91, 91.1; 215/288, 379-385; 220/376, 220/377, 602, 660, 669-675; 222/129, 135, 222/153.01, 153.03, 153.04, 153.09, 153.11-153.14, 222/182, 631, 635, 209, 211-213, 215, 321.7-321.9, 222/372, 373, 378, 379, 383.1, 384-386, 222/398, 400.7, 400.8, 401, 402.1-402.25

See application file for complete search history.

(56) **References Cited**

U.S. PATENT DOCUMENTS

3,148,806 A * 9/1964 Meshberg 222/402.11
D205,910 S * 10/1966 Northrup D9/764
3,828,962 A * 8/1974 Atkins 215/321
D242,526 S * 11/1976 Carre D9/523
4,234,127 A * 11/1980 Tada et al. 239/333
D289,858 S * 5/1987 Duval et al. D9/529
D322,560 S * 12/1991 Waine D9/523
D341,772 S * 11/1993 Rand et al. D9/520
D355,844 S * 2/1995 Bishop et al. D9/724
D364,669 S * 11/1995 Winner D22/117
D427,899 S * 7/2000 Bougamont et al. D9/688

6,105,826 A * 8/2000 Oursin et al. 222/153.06
6,109,547 A * 8/2000 Ritsche 239/337
D445,690 S * 7/2001 Ekkert D9/504
D451,377 S * 12/2001 Johnson et al. D9/682
6,382,469 B1 * 5/2002 Carter et al. 222/153.06
D471,814 S * 3/2003 Elliot et al. D9/501
D478,272 S * 8/2003 Carter et al. D9/688
7,025,232 B2 * 4/2006 Green 222/321.7

FOREIGN PATENT DOCUMENTS

GB DES. 2040858 * 12/1994
GB DES. 2074156 * 8/1998

* cited by examiner

Primary Examiner—Catherine Tuttle

(74) *Attorney, Agent, or Firm*—Renner, Otto, Boisselle & Sklar, LLP

(57) **CLAIM**

The ornamental design for a spray bottle, as shown and described.

DESCRIPTION

FIG. 1 is a front view of the spray bottle showing our new design with the nozzle element in a stowed position;

FIG. 2 is a left side view thereof;

FIG. 3 is a right side view thereof;

FIG. 4 is a top view thereof;

FIG. 5 is a bottom view thereof;

FIG. 6 is a perspective view thereof;

FIG. 7 is a front view showing the design with its nozzle in a deployed position;

FIG. 8 is a left side view thereof;

FIG. 9 is a right side view thereof;

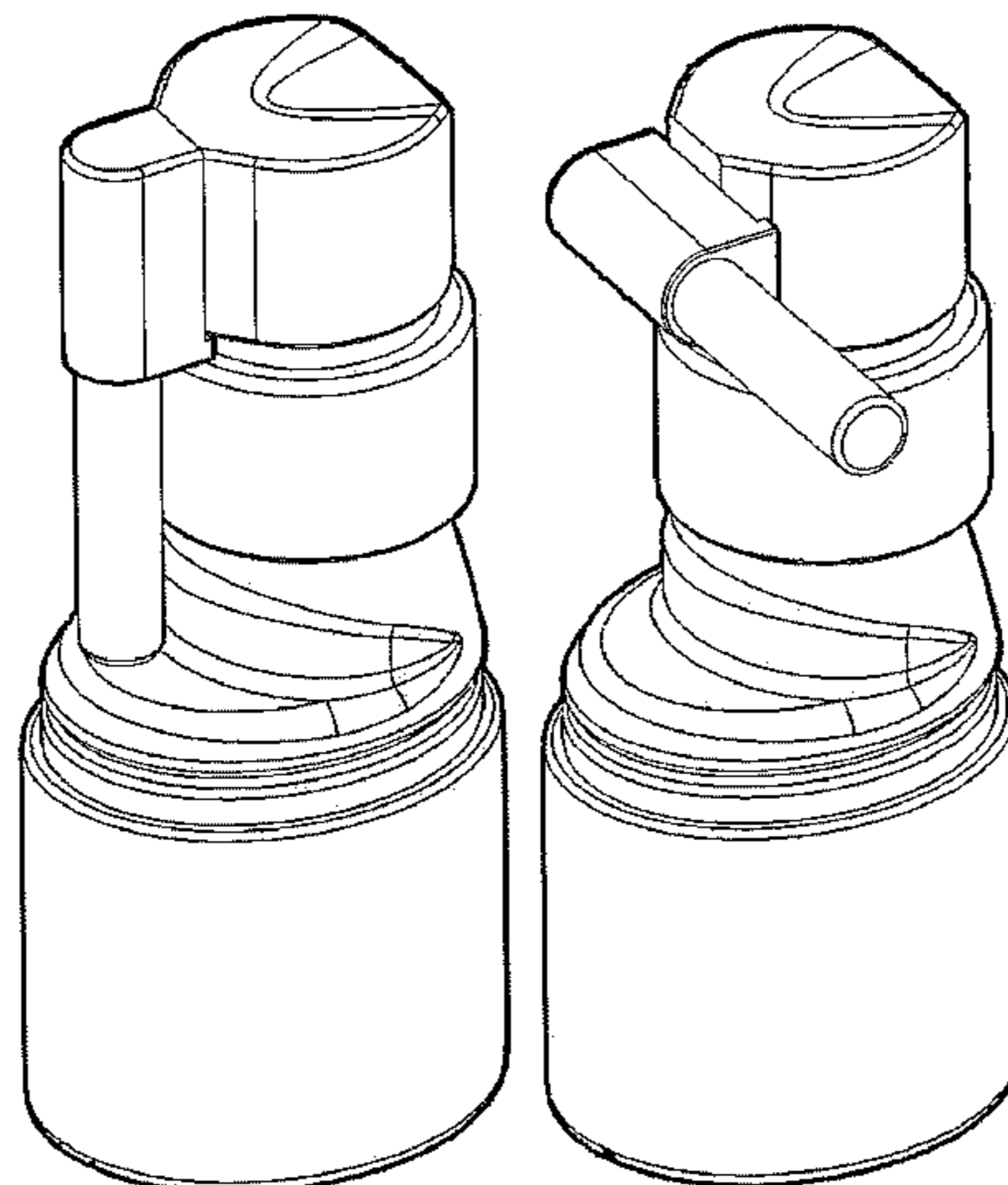
FIG. 10 is a top view thereof;

FIG. 11 is a bottom view thereof; and,

FIG. 12 is a perspective view thereof.

The broken lines are included for the purpose of illustrating the bottom end region of the spray bottle that forms no part of the claimed design.

1 Claim, 6 Drawing Sheets



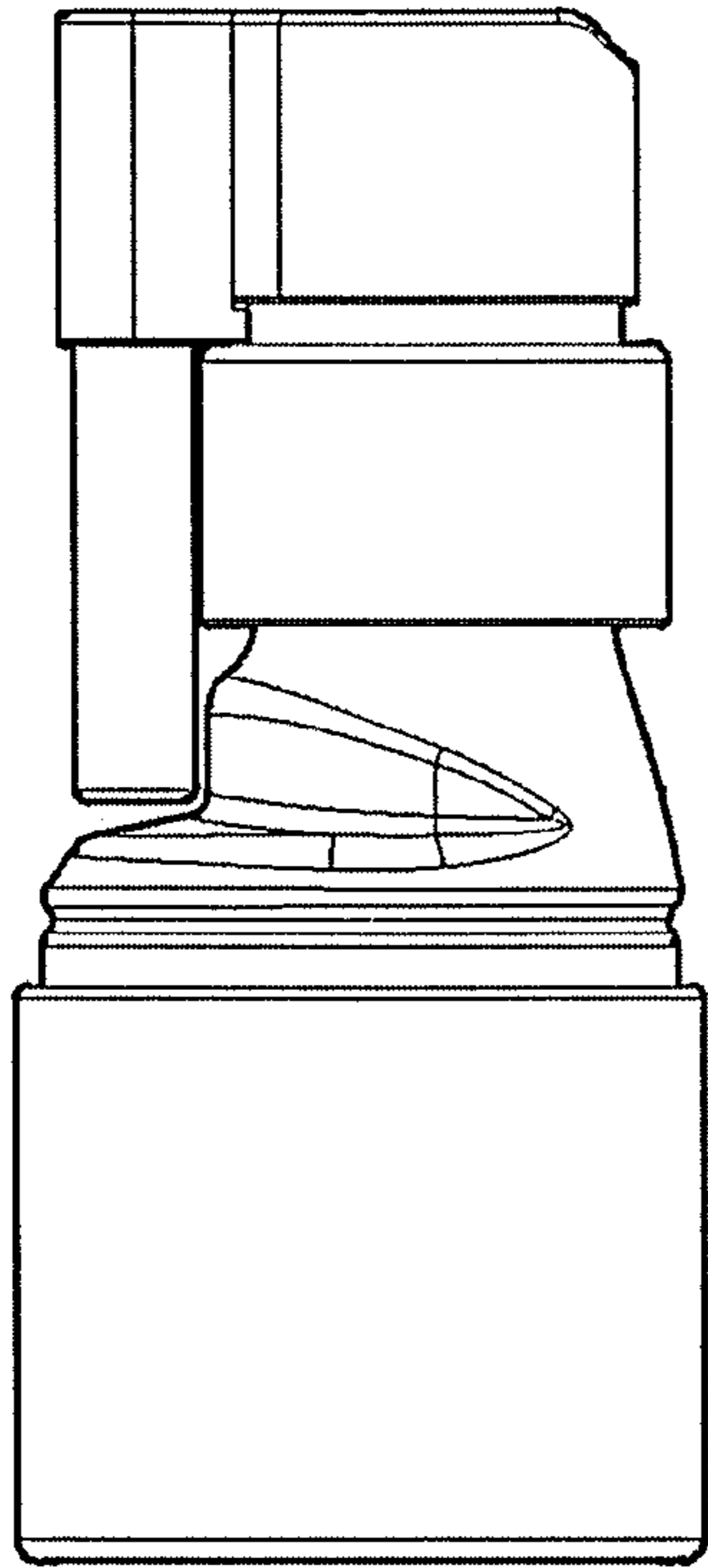


FIG. 1

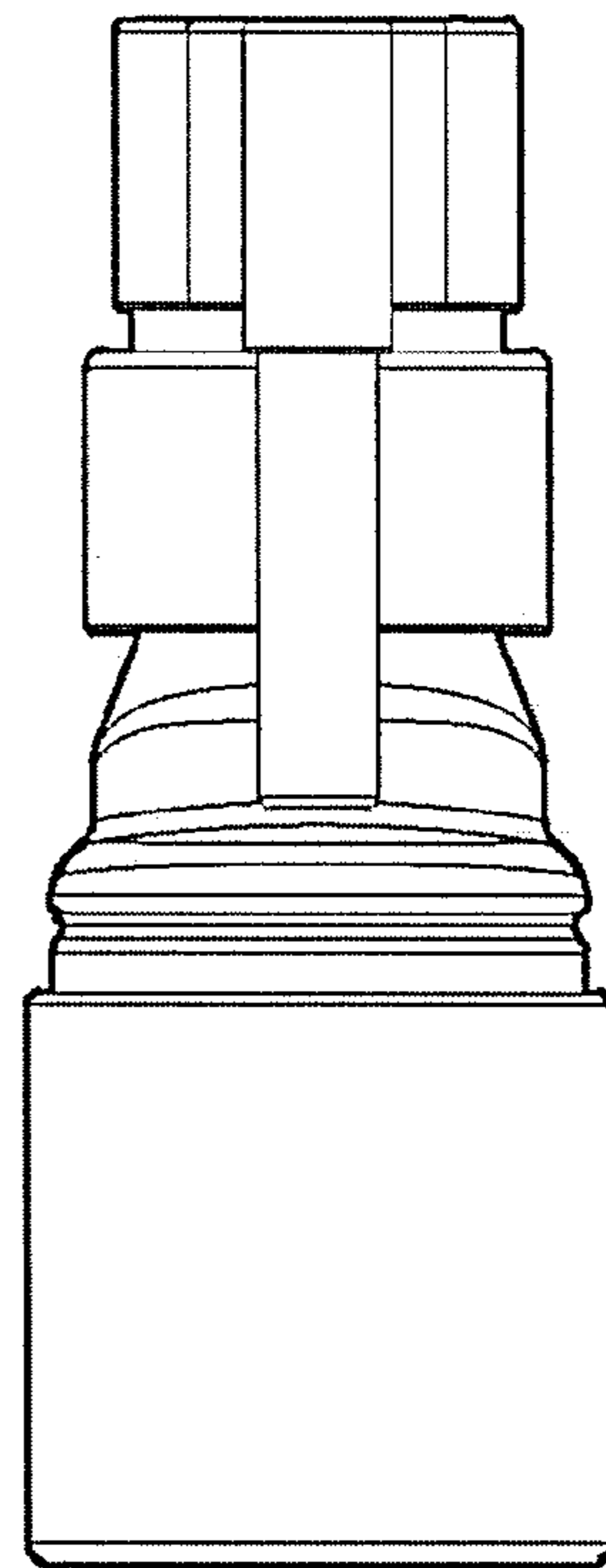


FIG. 2

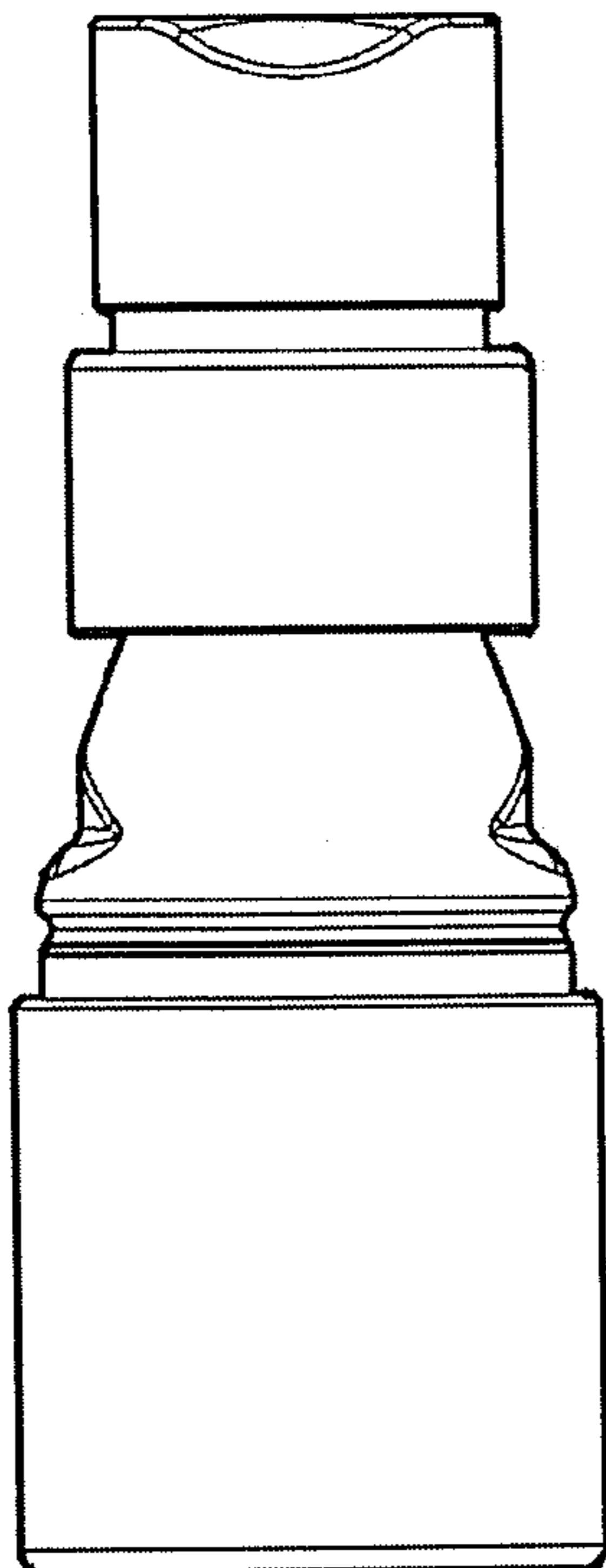


FIG. 3

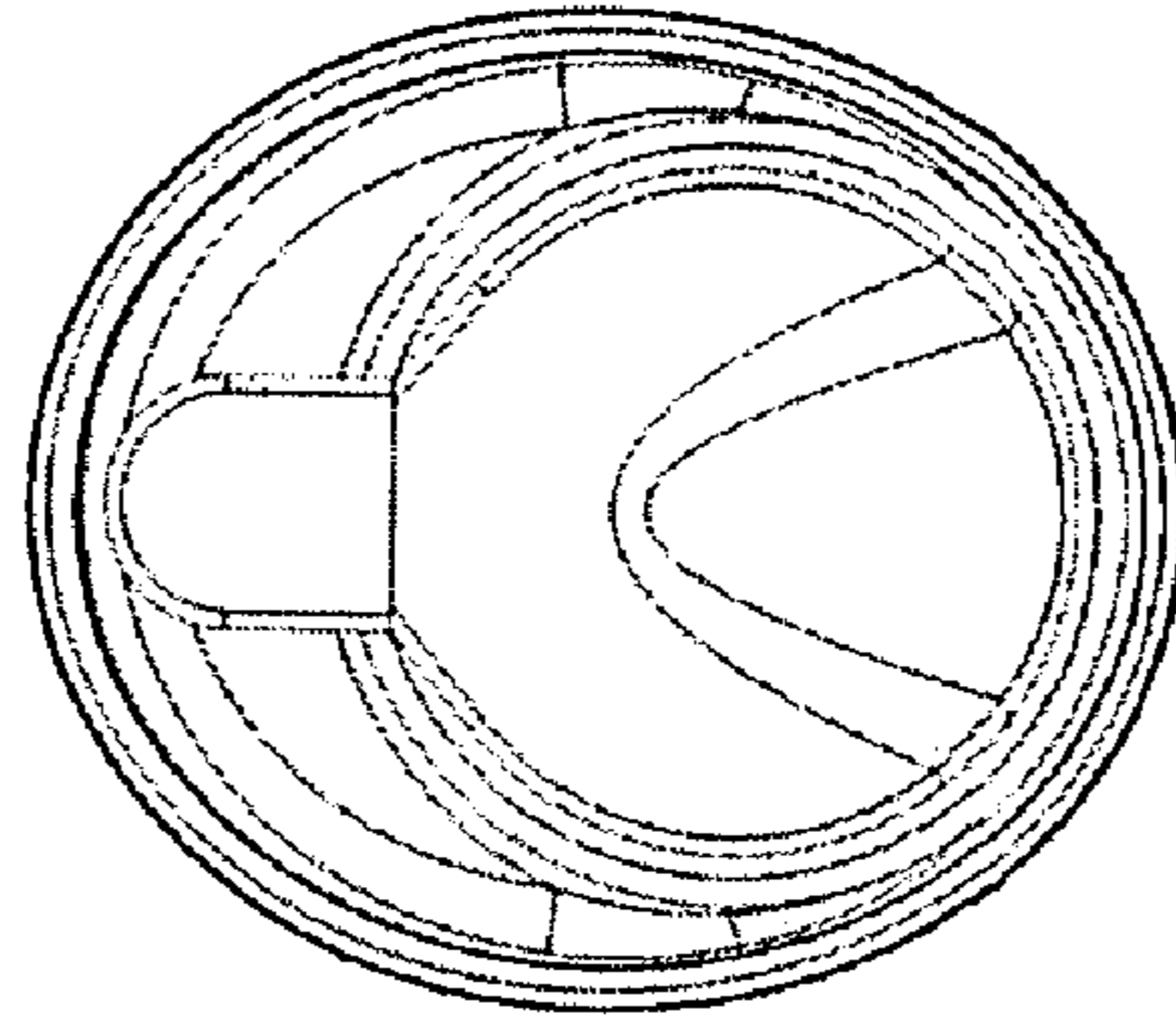


FIG. 4

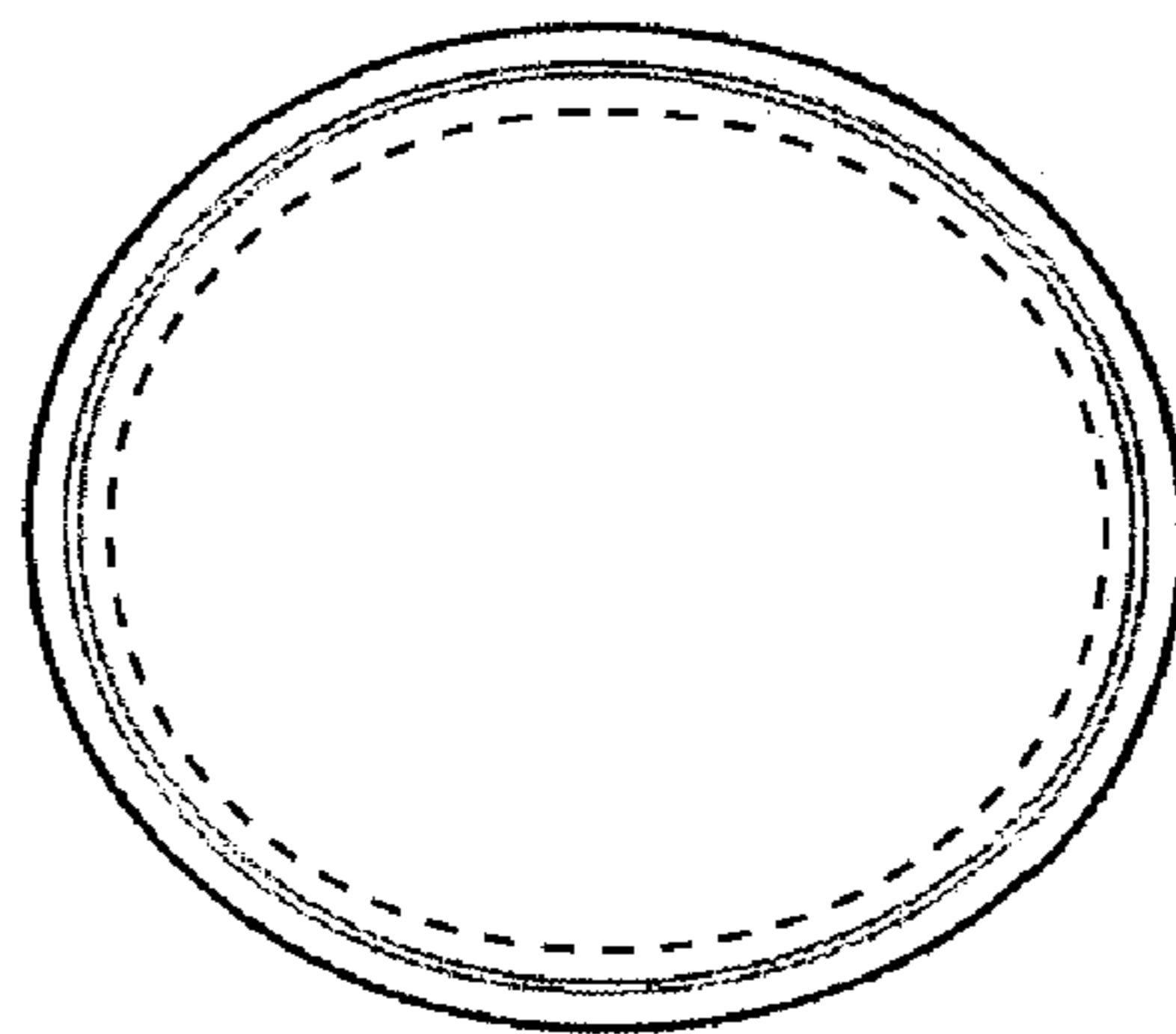


FIG. 5

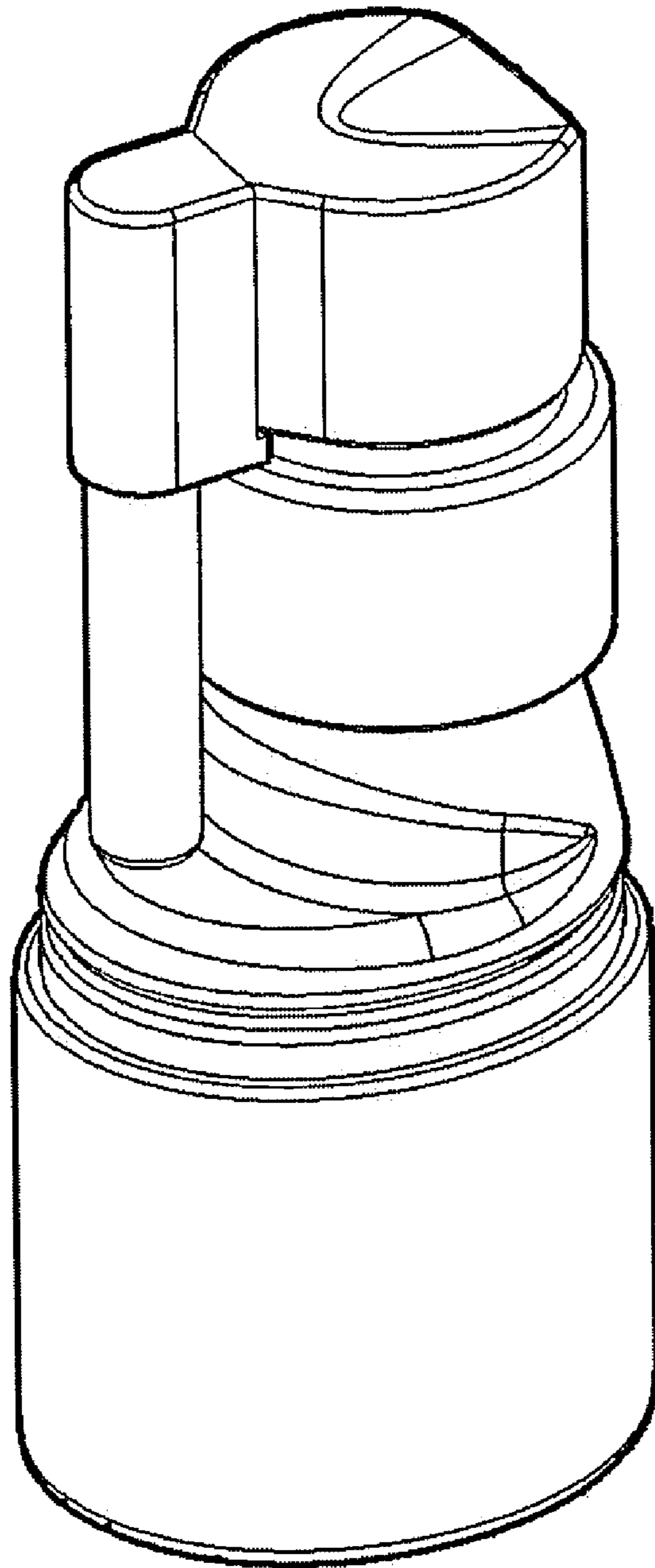


FIG. 6

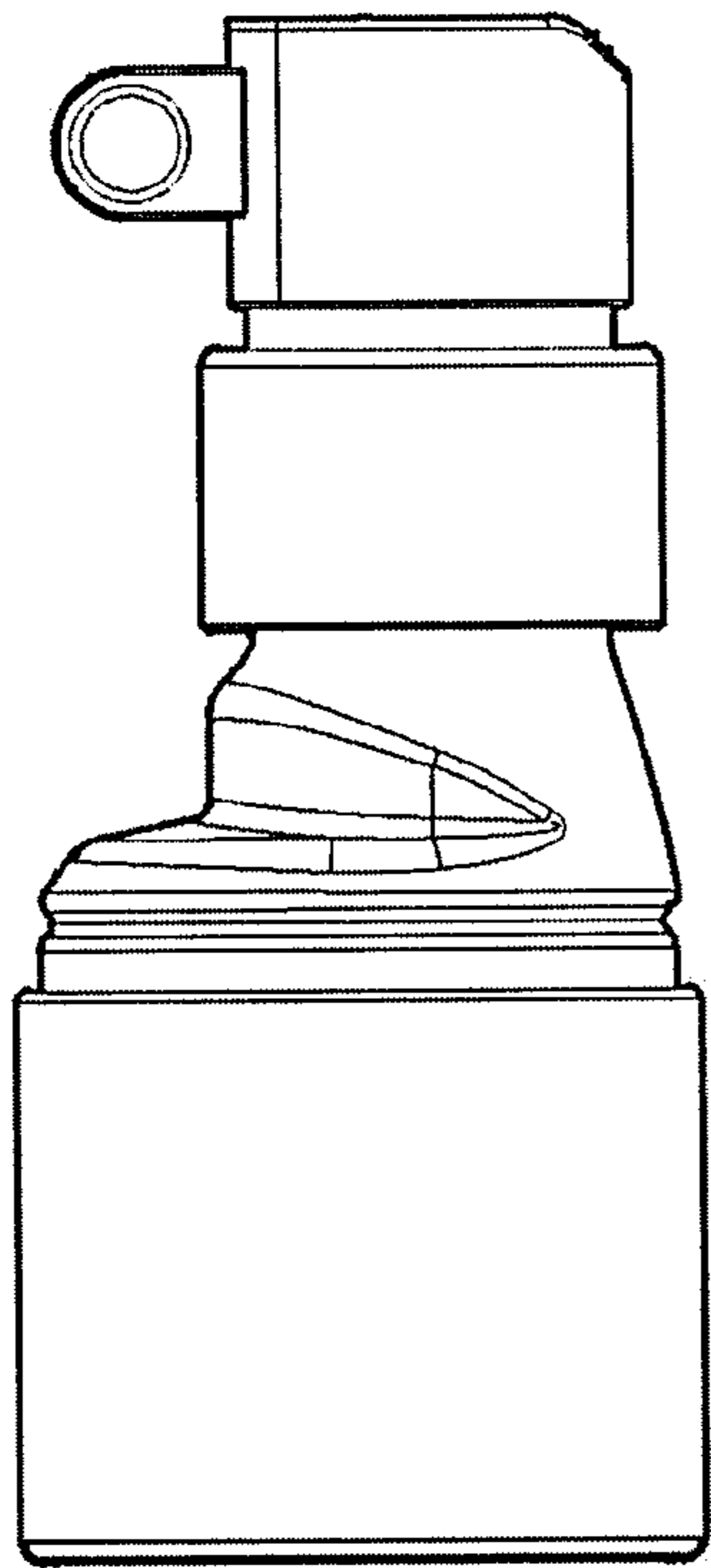


FIG. 7

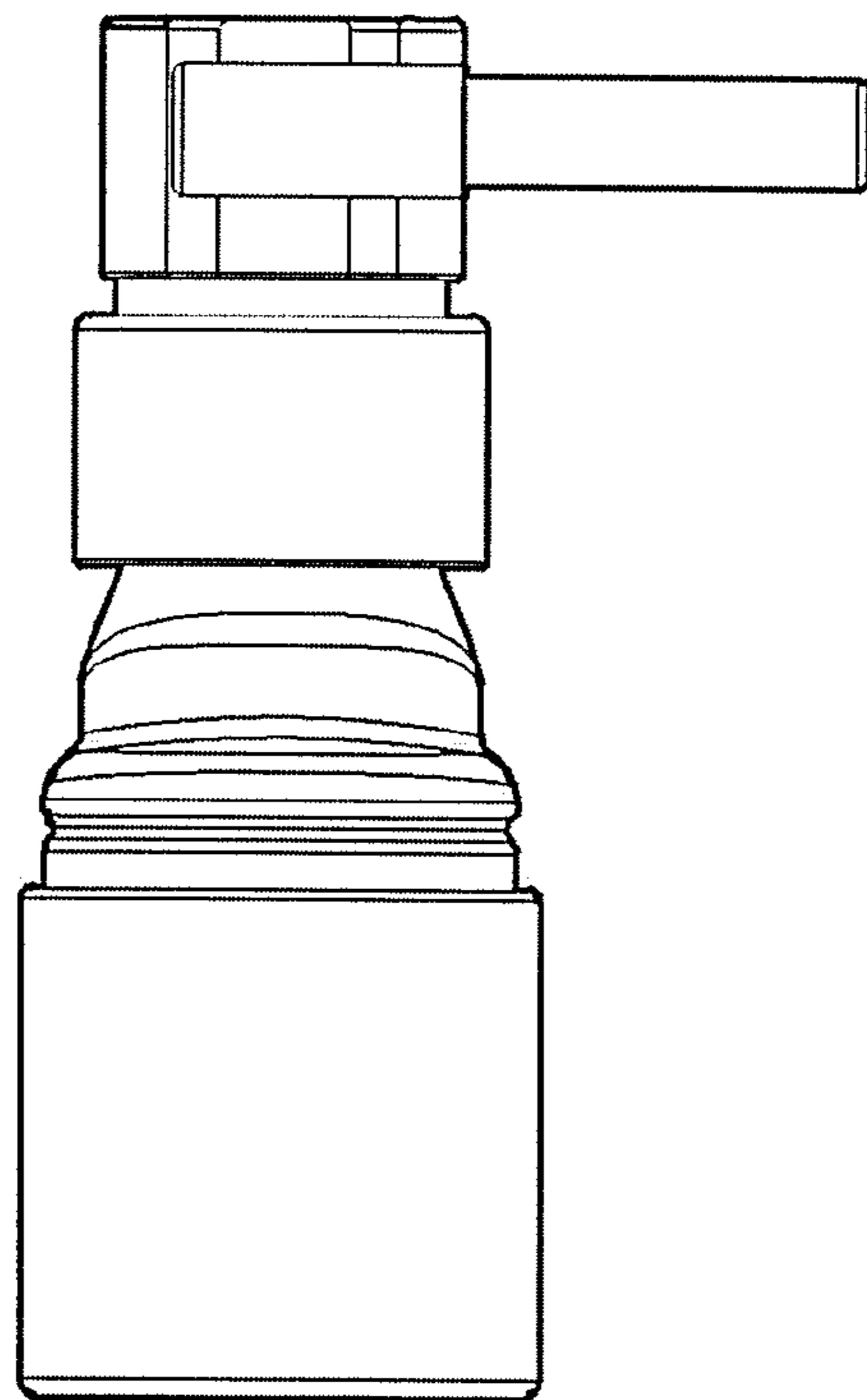


FIG. 8

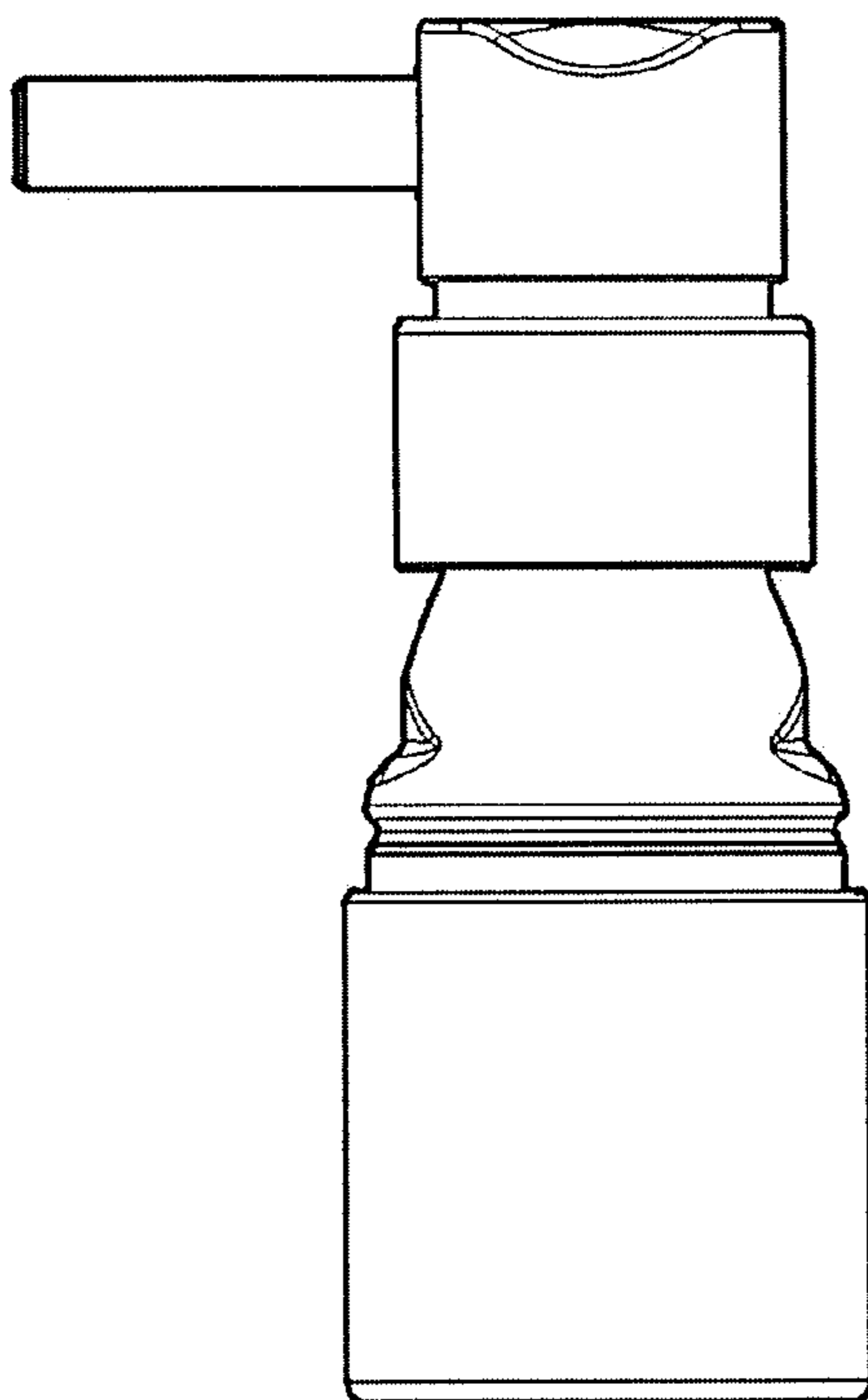


FIG. 9

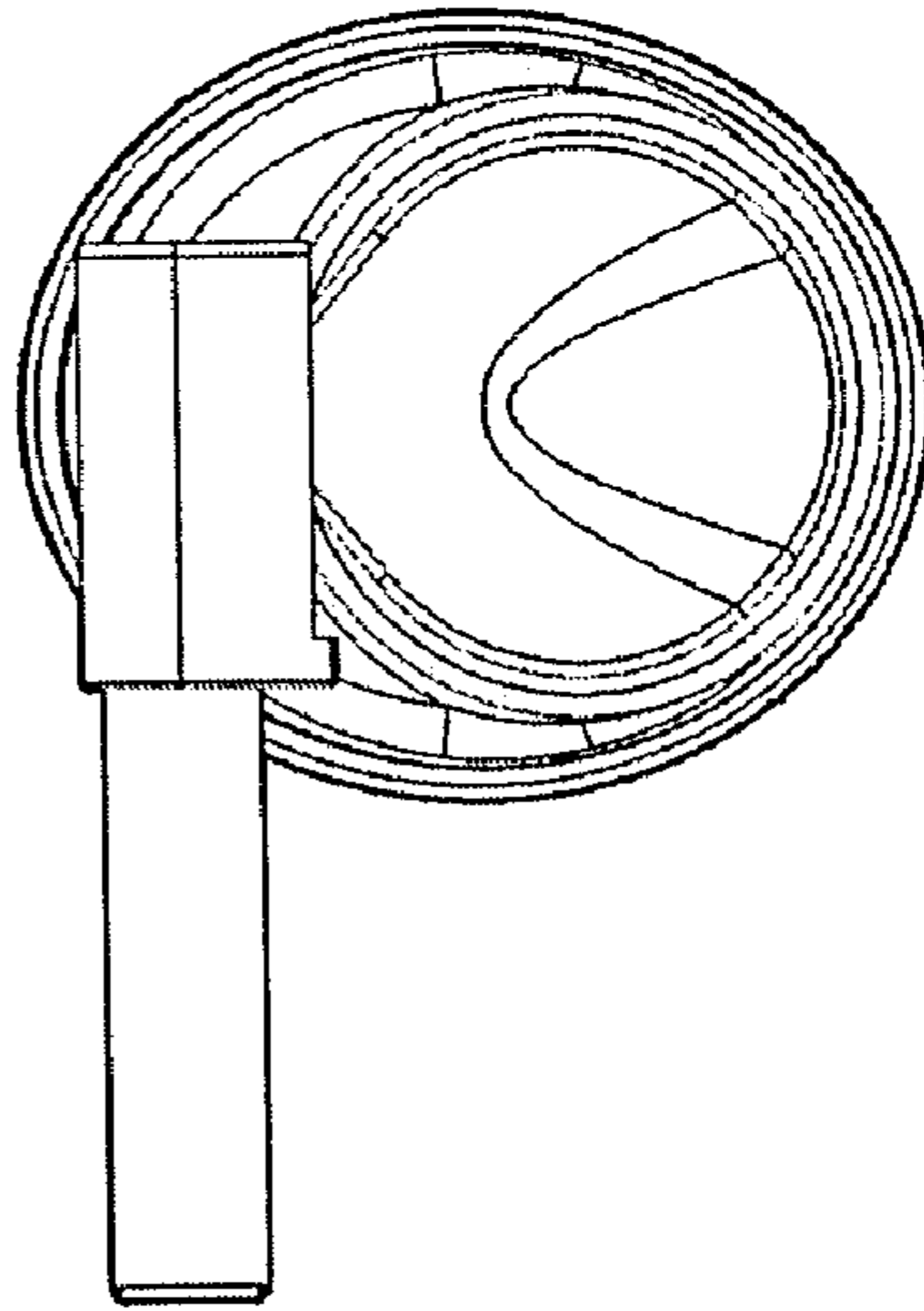


FIG. 10

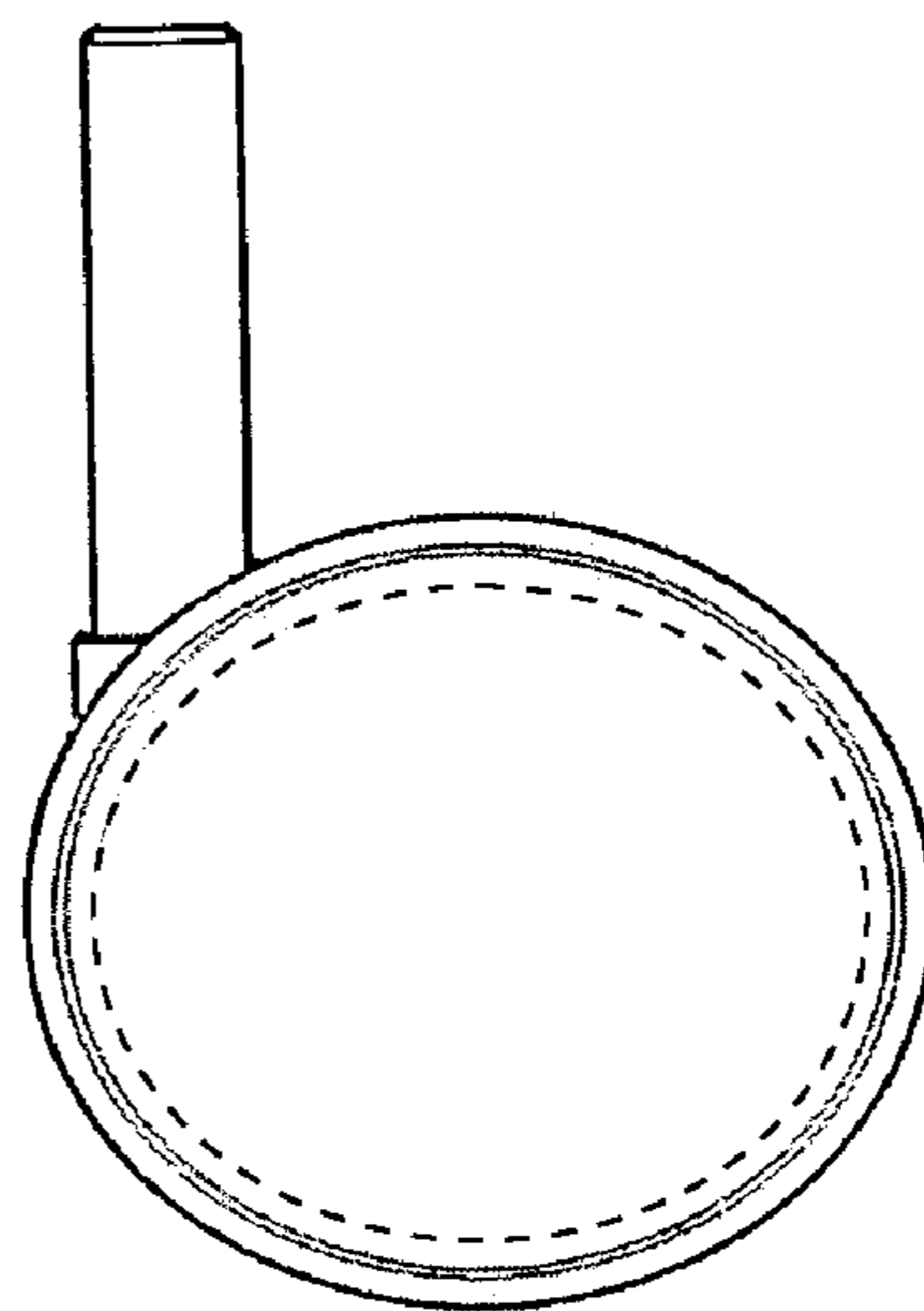


FIG. 11

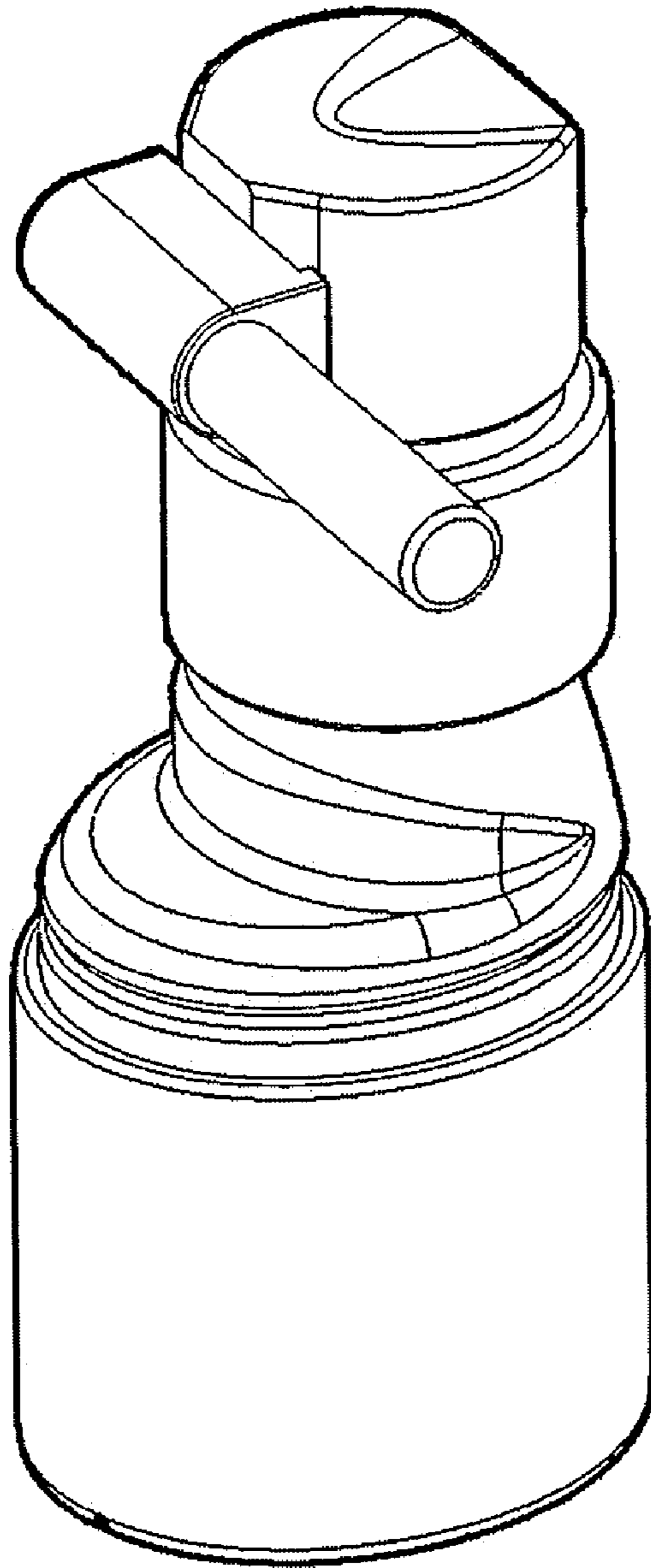


FIG. 12