



US00D608199S

(12) **United States Design Patent**
Gross

(10) **Patent No.:** **US D608,199 S**
(45) **Date of Patent:** **** Jan. 19, 2010**

(54) **DISPENSING CLOSURE FOR CONTAINER**

(57) **CLAIM**

(75) Inventor: **Richard Gross**, Oconomowoc, WI (US)

The ornamental design for a dispensing closure for container, as shown and described.

(73) Assignee: **Portola Packaging, Inc.**, Batavia, IL (US)

(**) Term: **14 Years**

(21) Appl. No.: **29/332,546**

(22) Filed: **Feb. 19, 2009**

(51) **LOC (9) Cl.** **09-07**

(52) **U.S. Cl.** **D9/449**

(58) **Field of Classification Search** D9/556,
D9/529, 454, 453, 452, 449, 443, 439, 504,
D9/450, 447, 446; D8/312; D7/392.1; D23/261;
D14/217; D12/197; 229/123.1; 222/541.2,
222/575, 566, 556, 552, 519, 494, 480, 479,
222/212; 220/288, 810, 781; 215/350, 344,
215/295, 270, 256, 252, 218, 216, 209, 206,
215/235, 236

See application file for complete search history.

(56) **References Cited**

U.S. PATENT DOCUMENTS

D424,422 S *	5/2000	Landhed	D9/521
D525,136 S *	7/2006	Bakic	D9/529
D547,184 S *	7/2007	Kim et al.	D9/449
D574,712 S *	8/2008	Bakic	D9/529
D582,772 S *	12/2008	Bakic	D9/449
D588,915 S *	3/2009	Lohrman et al.	D9/449

* cited by examiner

Primary Examiner—Susan Bennett Hattan
(74) *Attorney, Agent, or Firm*—James P. Hanrath; Adam K. Sacharoff

DESCRIPTION

FIG. 1 is a front side perspective view of a dispensing closure for container, with lid being in a closed position, showing my new design.

FIG. 2 is a bottom rear perspective view of a dispensing closure for container, with lid being in a closed position, showing my new design.

FIG. 3 is a top plan view thereof;

FIG. 4 is a bottom view thereof;

FIG. 5 is a front side view thereof;

FIG. 6 is a rear side view thereof;

FIG. 7 is a left side view thereof; and

FIG. 8 is a right side view thereof.

FIG. 9 is a front side perspective view of a dispensing closure for container, with lid being in an opened position, showing my new design.

FIG. 10 is a bottom side perspective view of a dispensing closure for container, with lid being in an opened position, showing my new design.

FIG. 11 is a top view thereof;

FIG. 12 is a bottom view thereof;

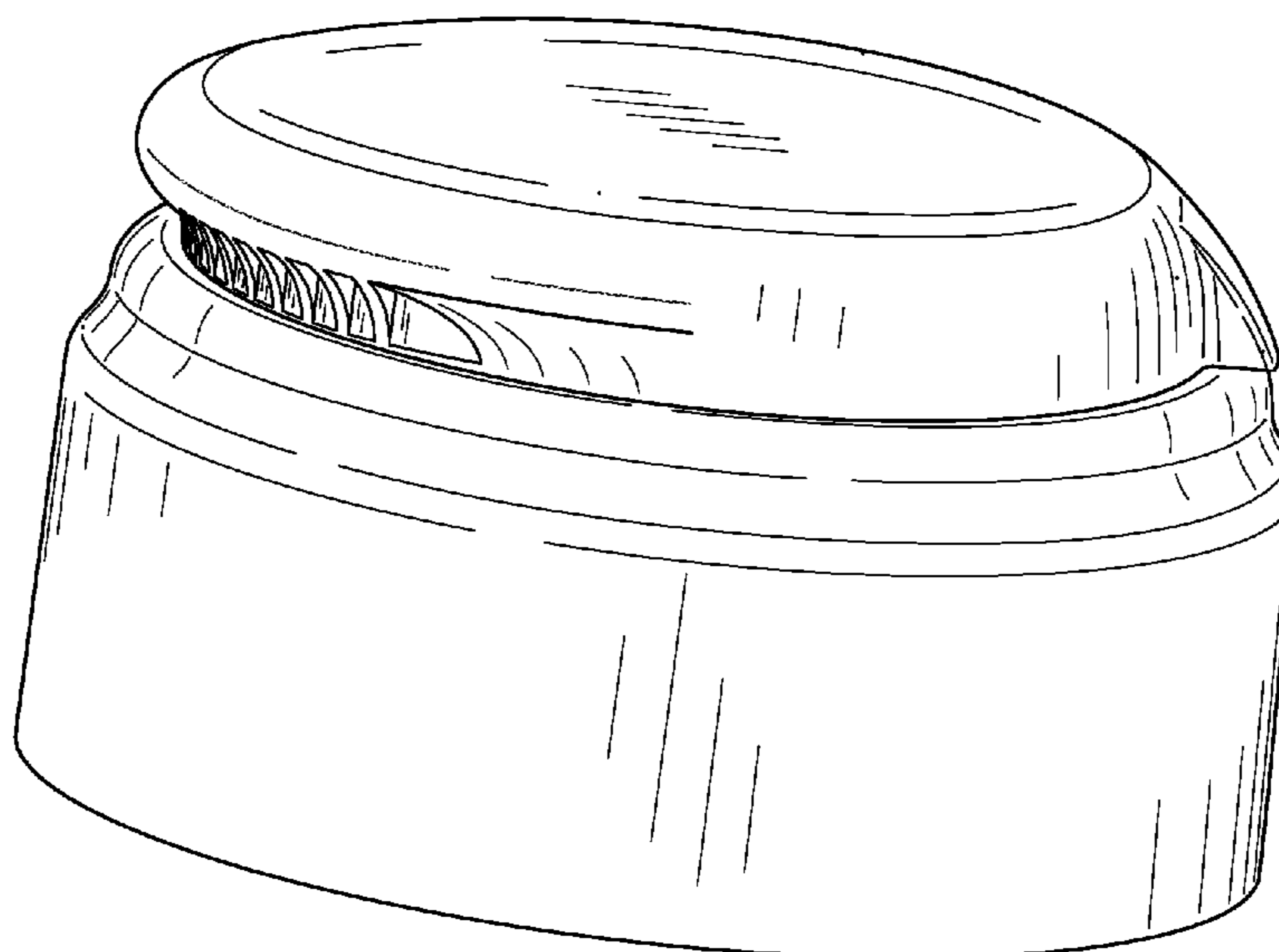
FIG. 13 is a front side view thereof;

FIG. 14 is a rear side view thereof;

FIG. 15 is a left side view thereof; and,

FIG. 16 is a right side view thereof.

1 Claim, 13 Drawing Sheets



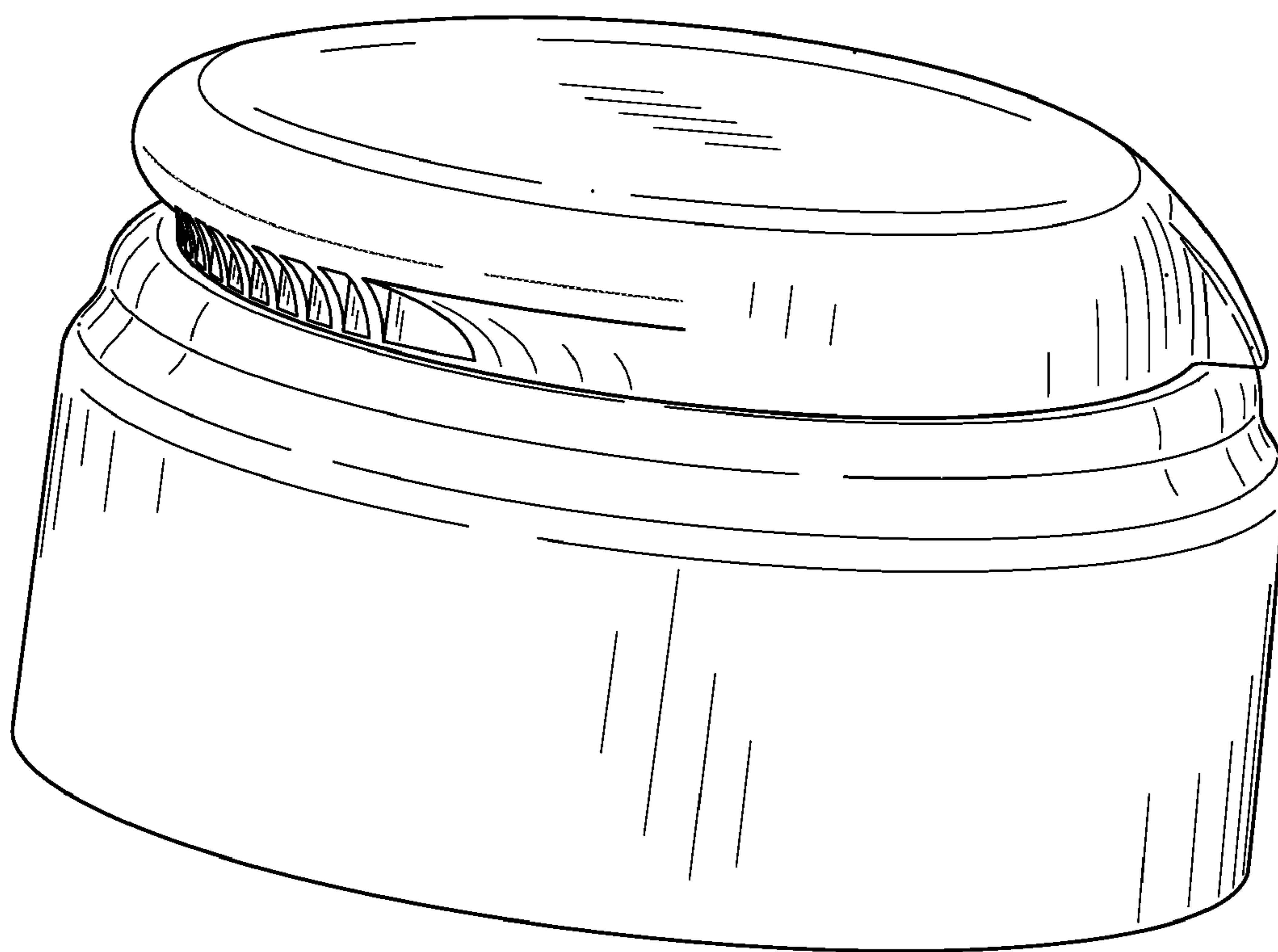


FIG. 1

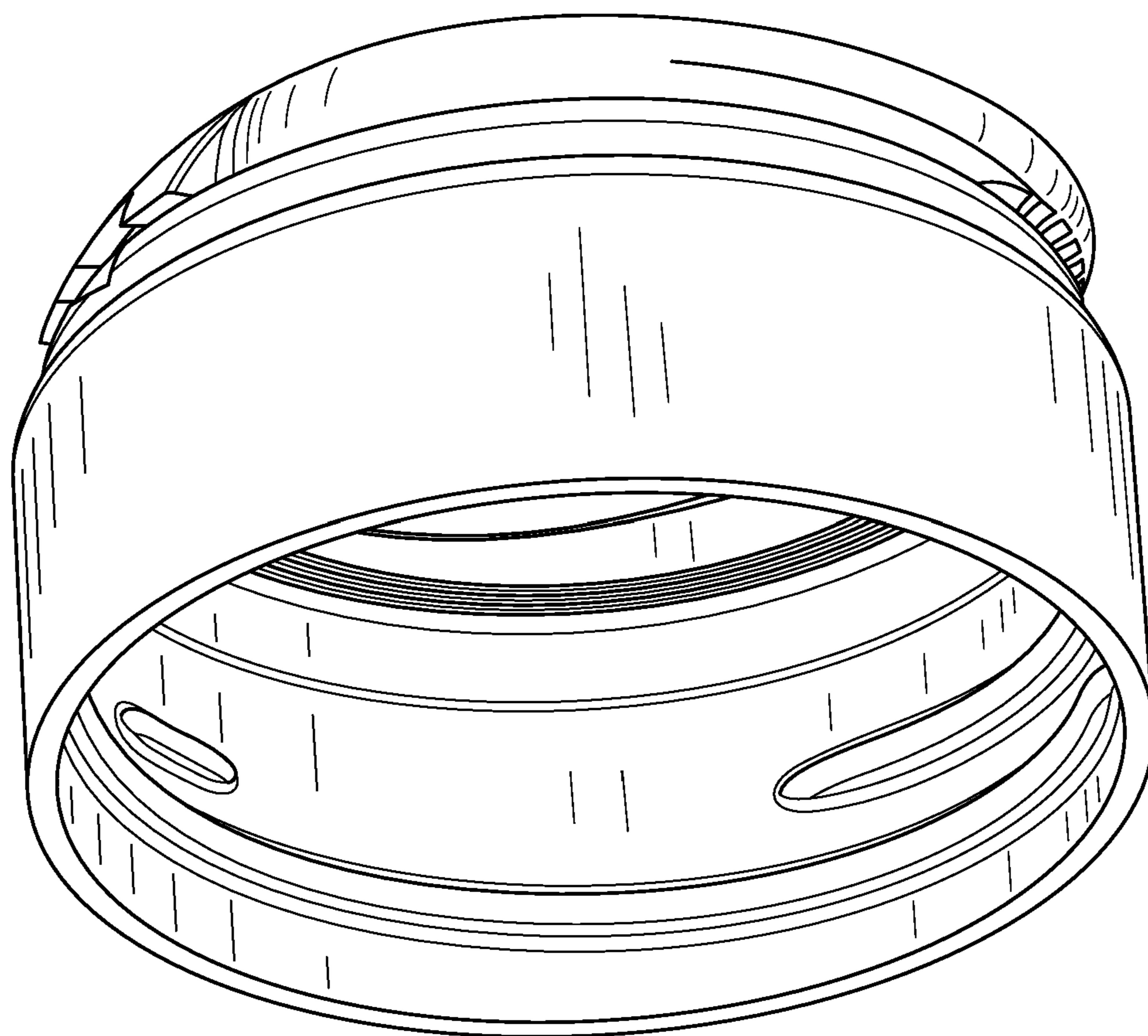


FIG. 2

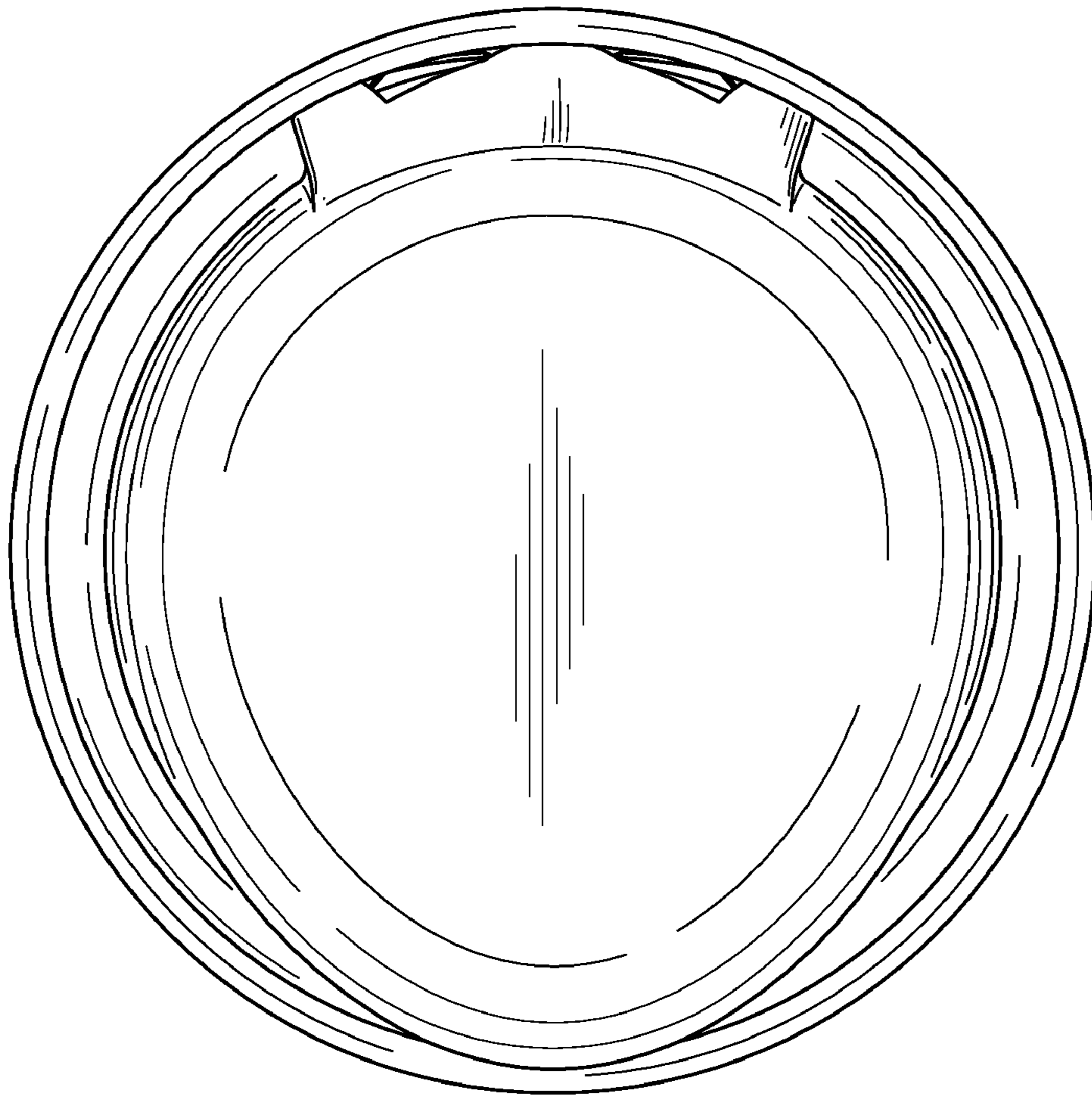


FIG. 3

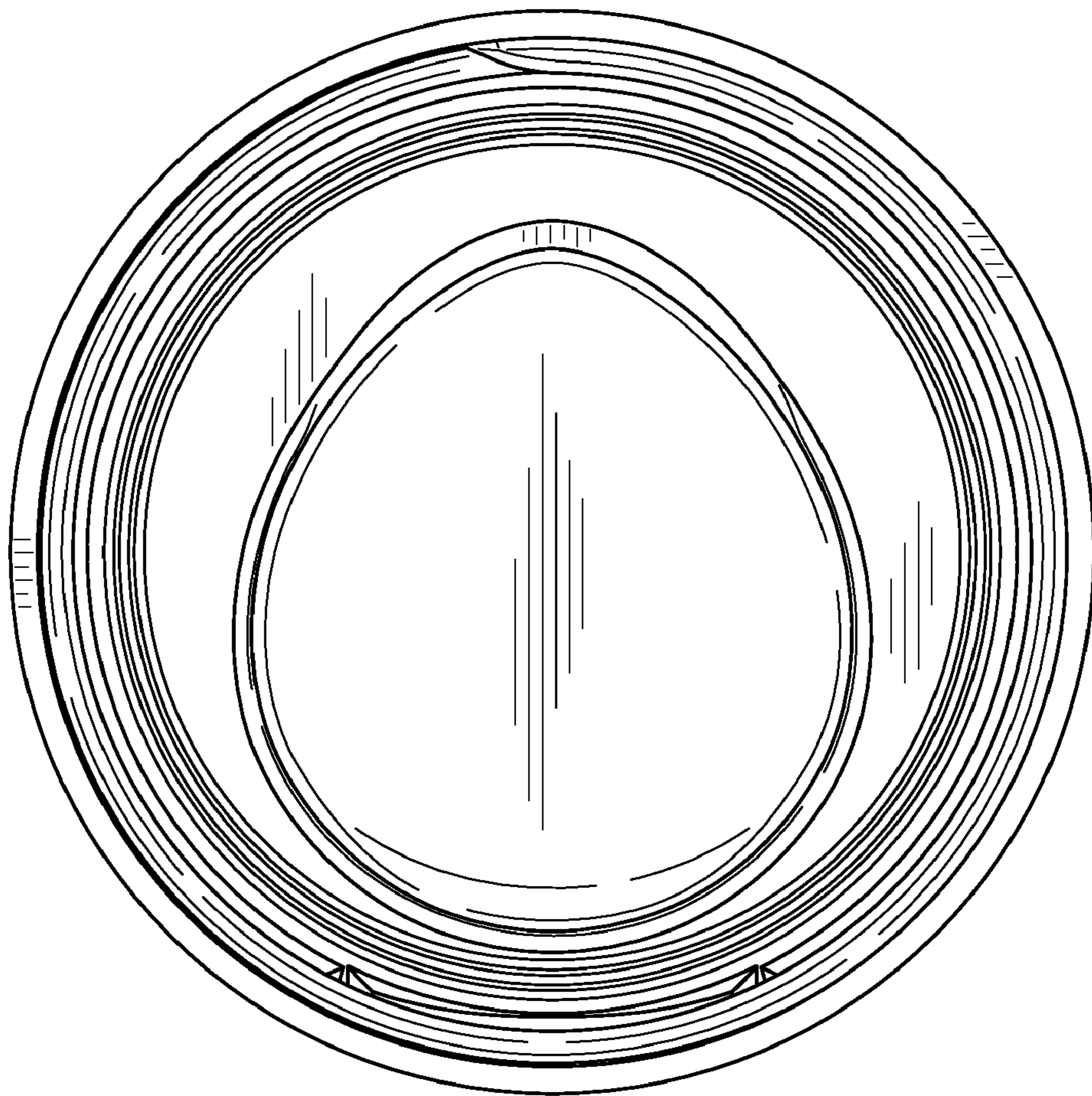


FIG. 4

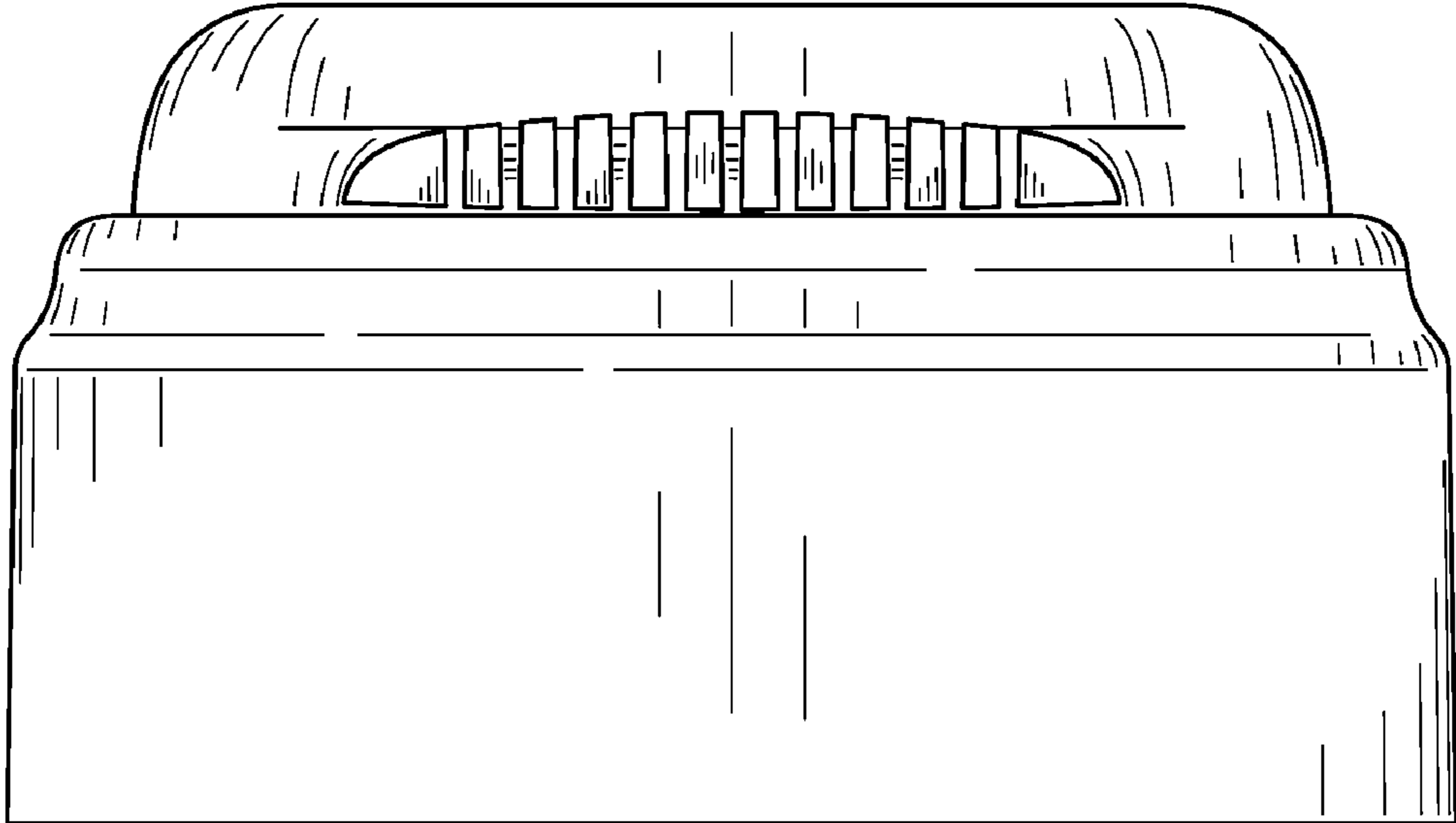


FIG. 5

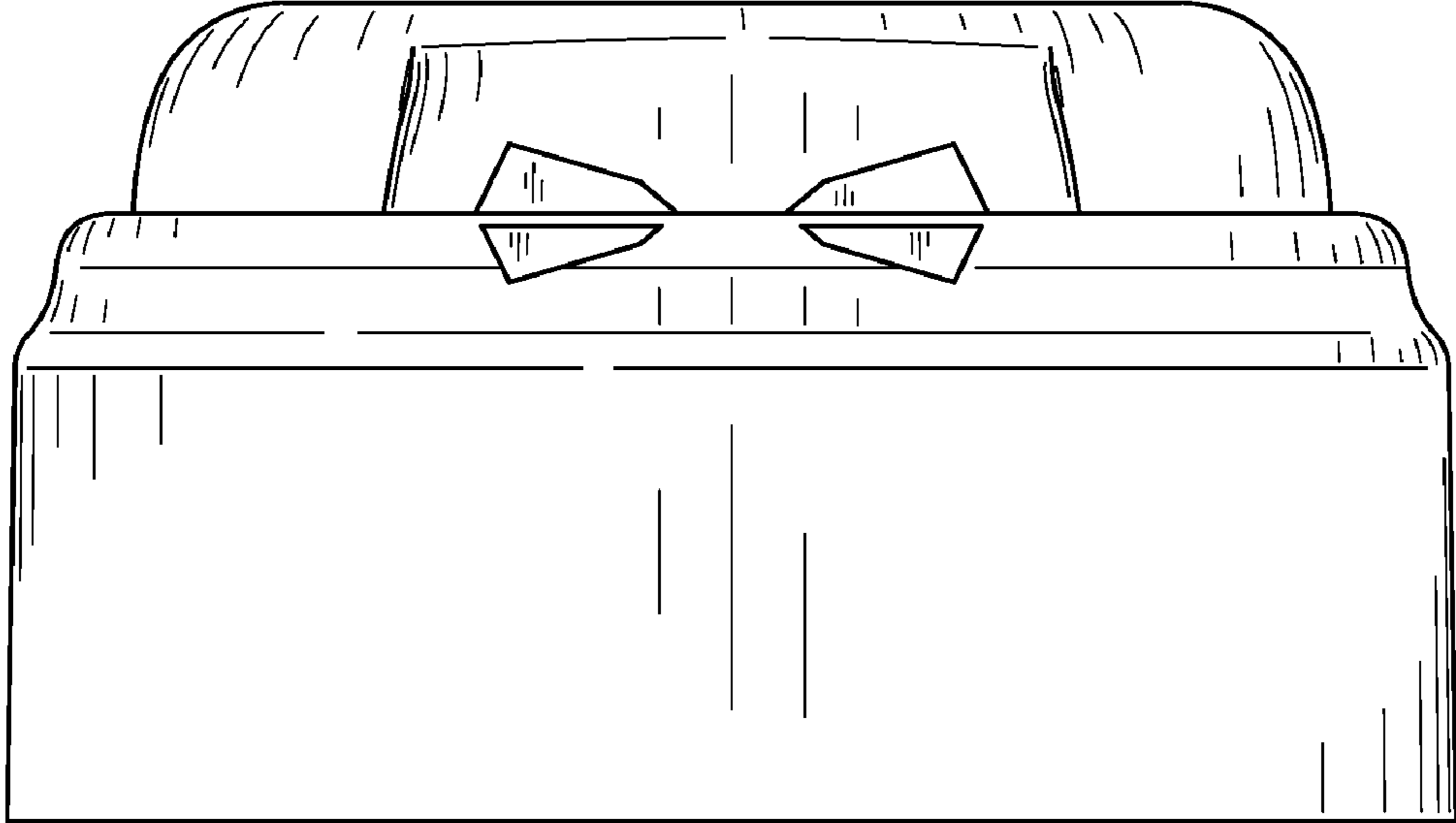


FIG. 6

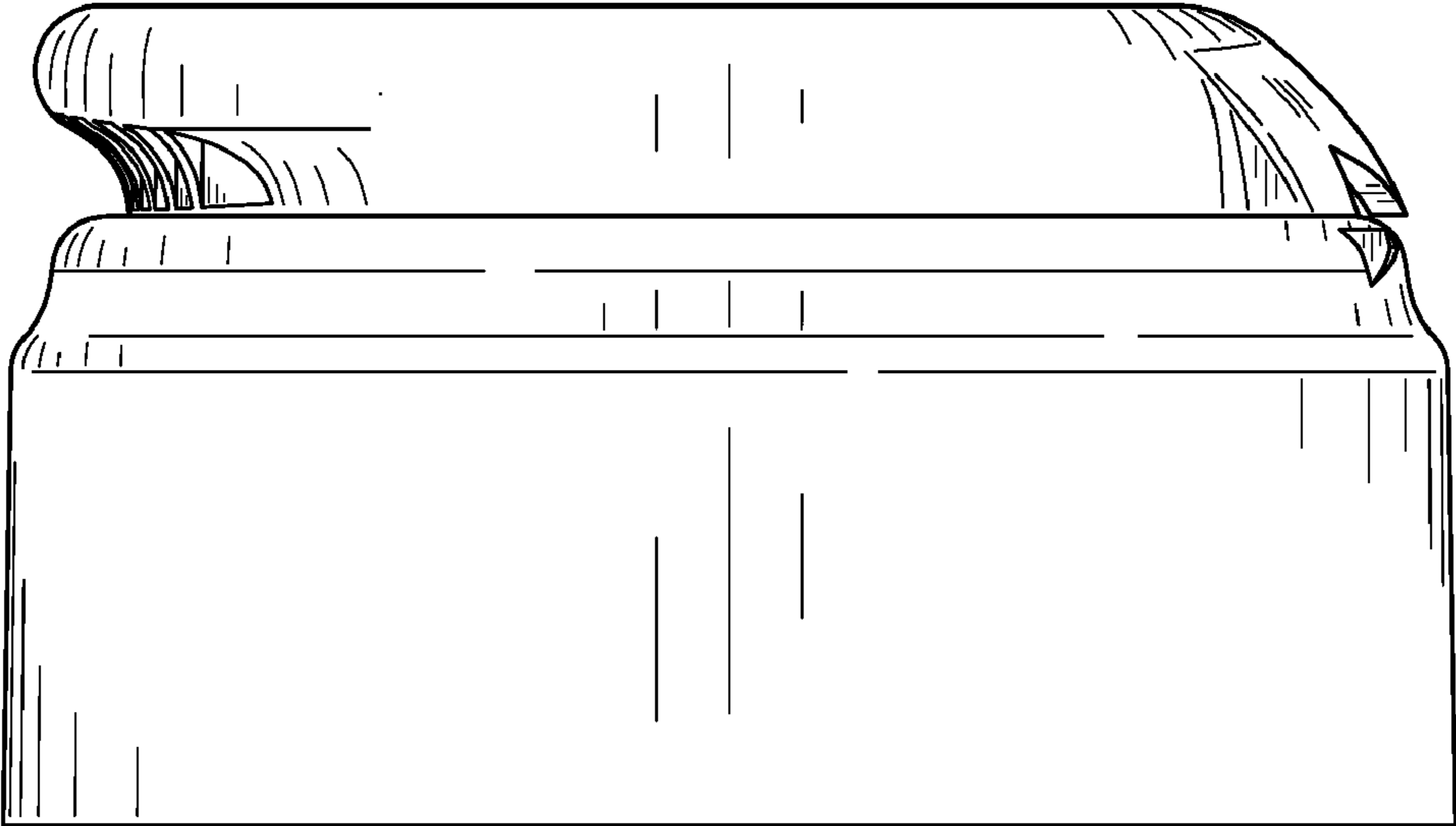


FIG. 7

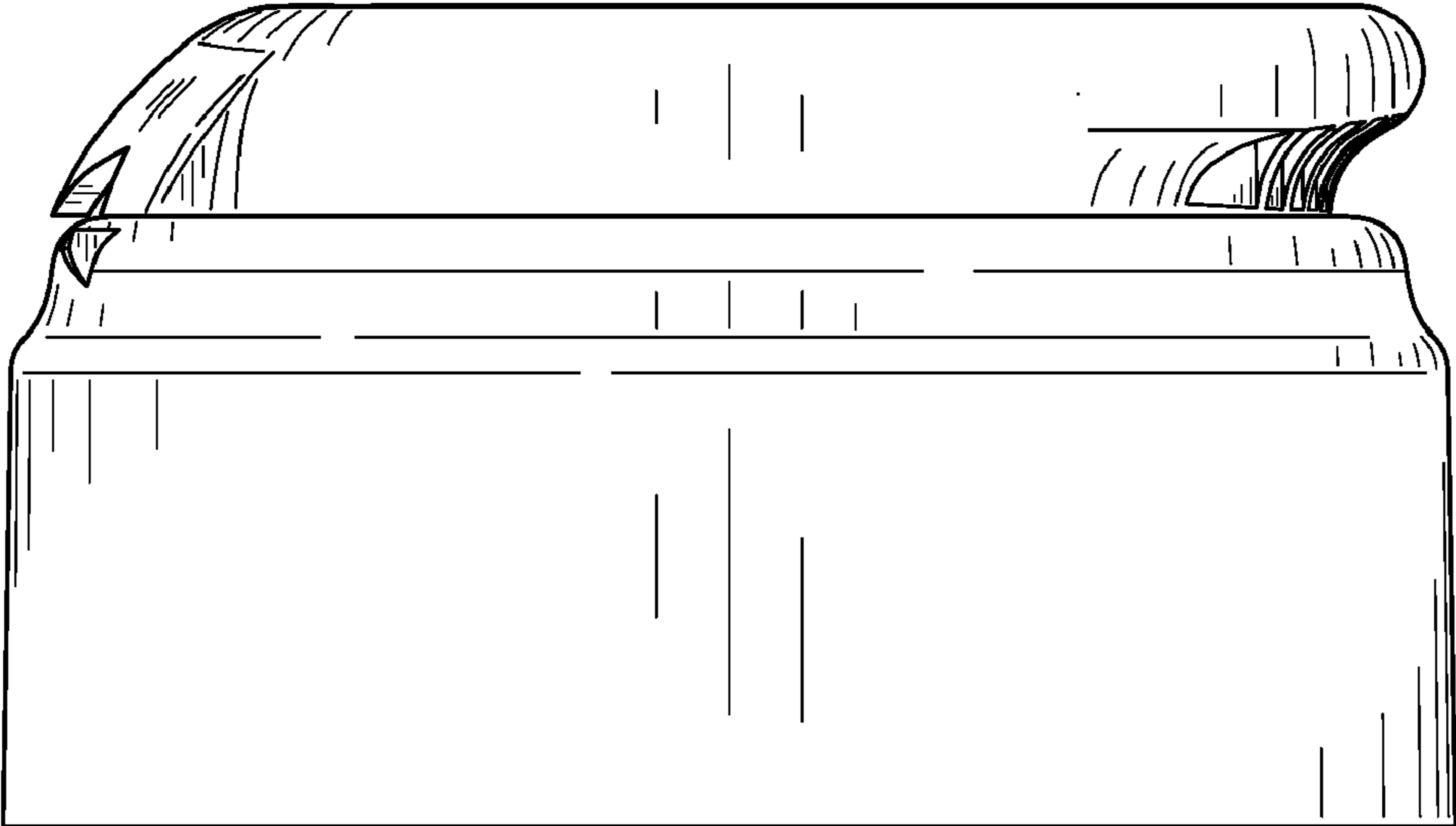


FIG. 8

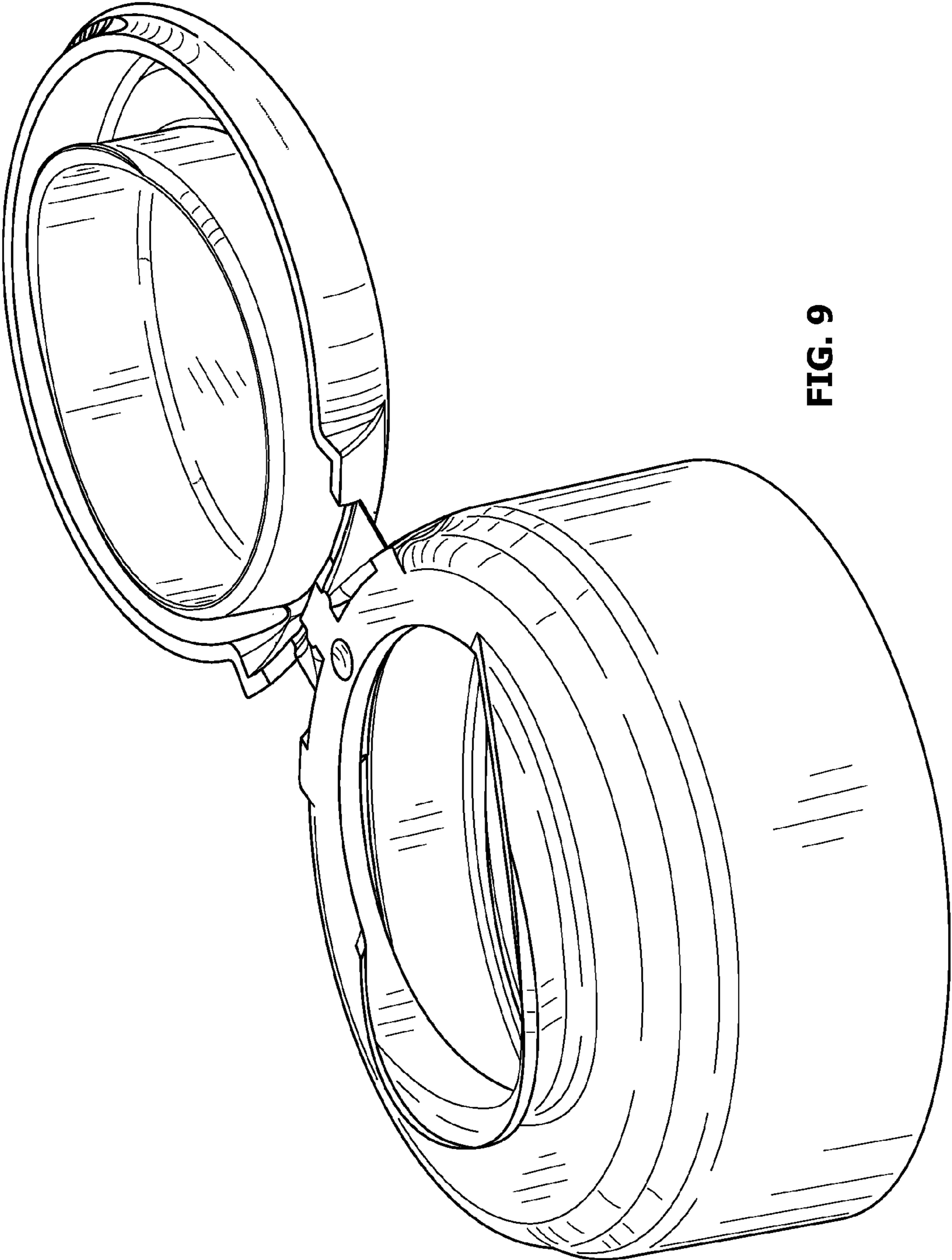


FIG. 9

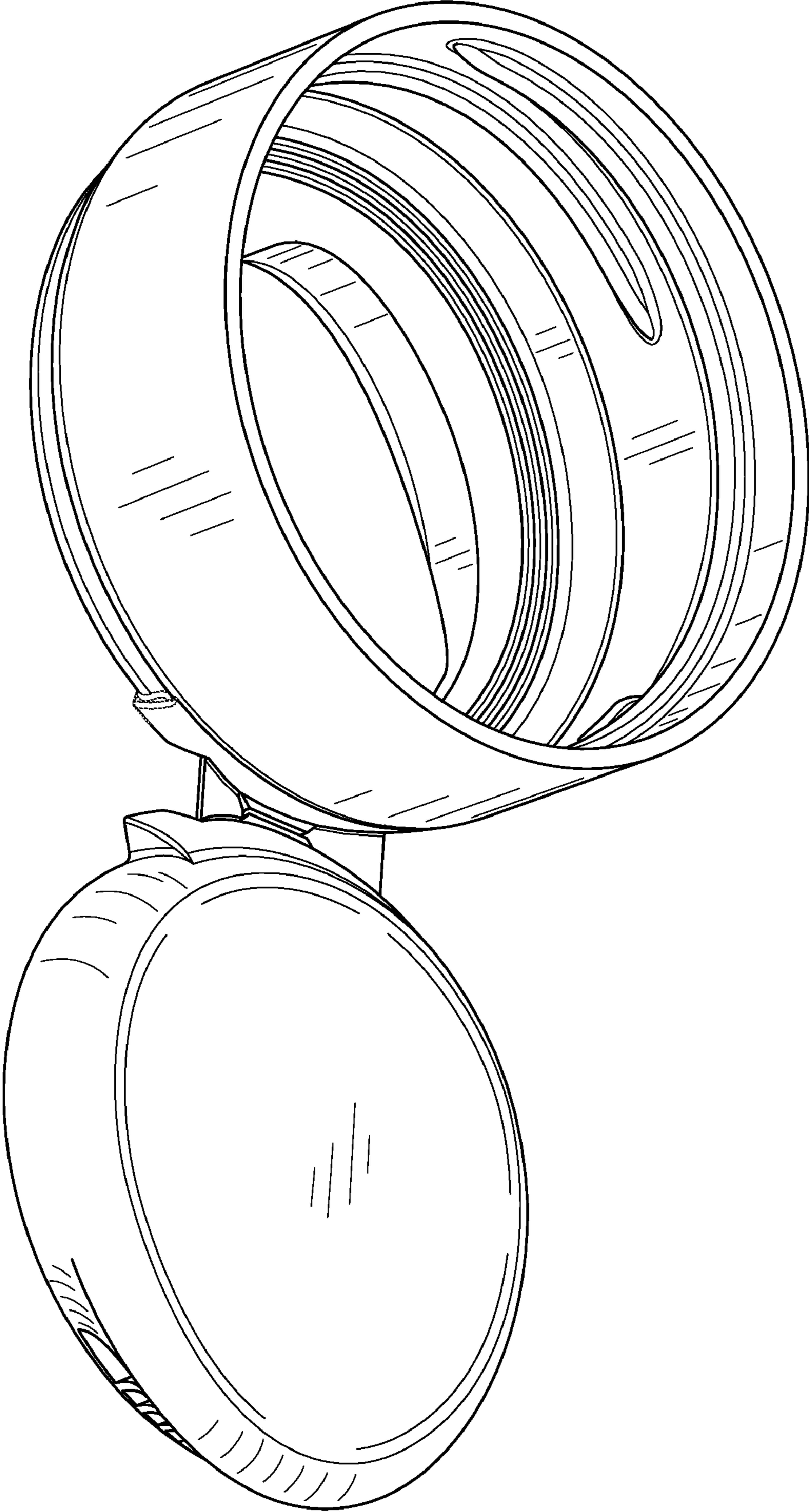


FIG. 10

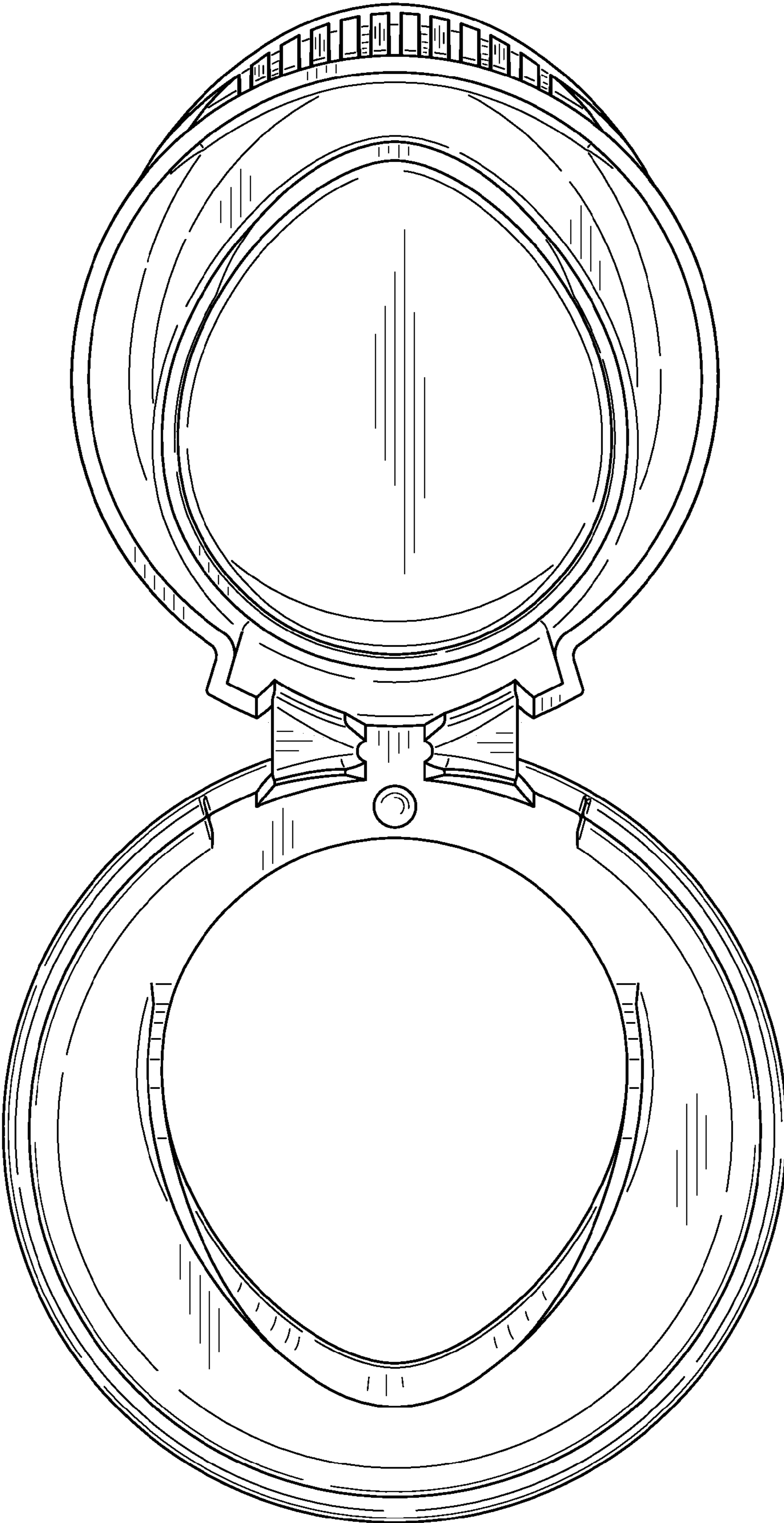


FIG. 11

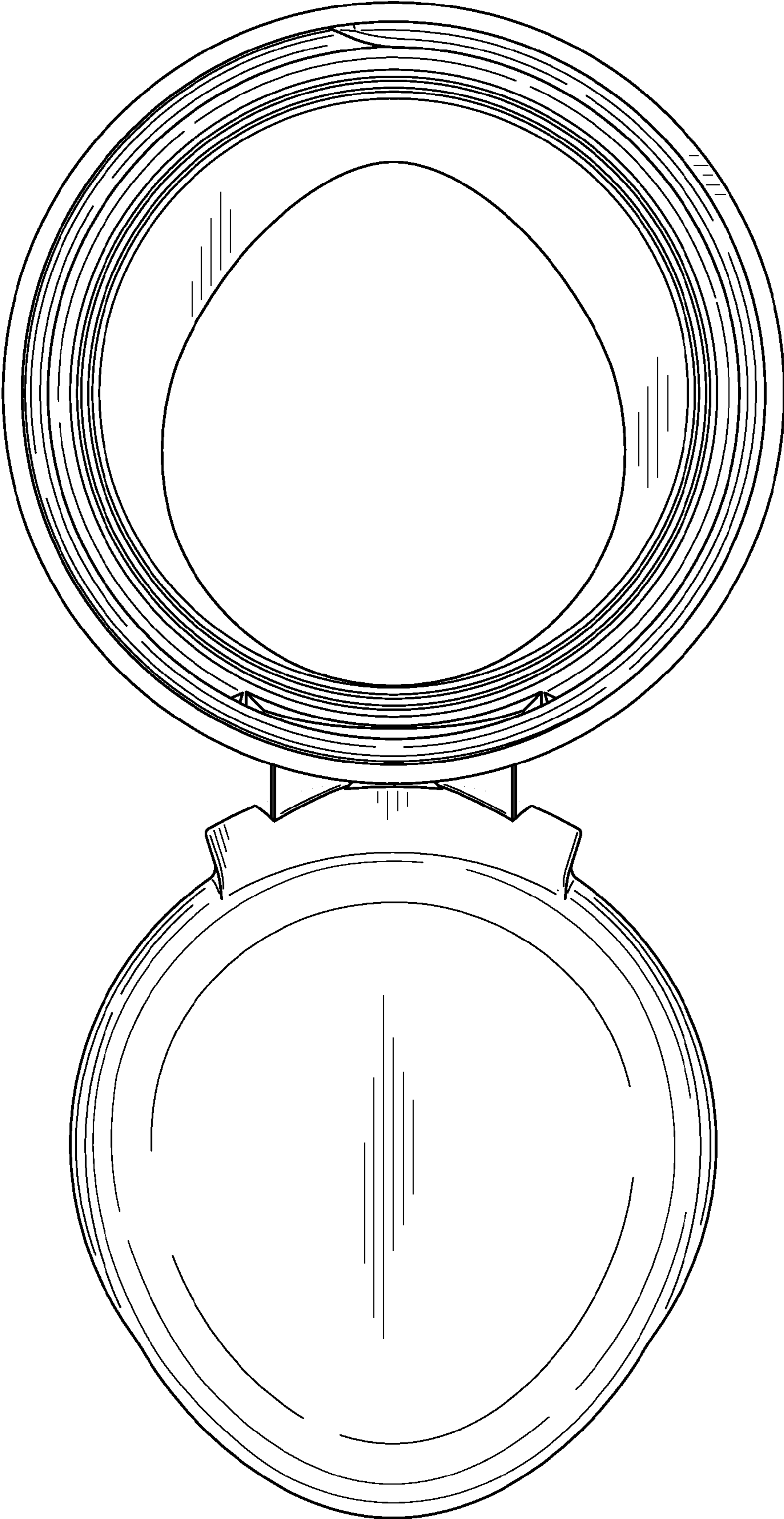


FIG. 12

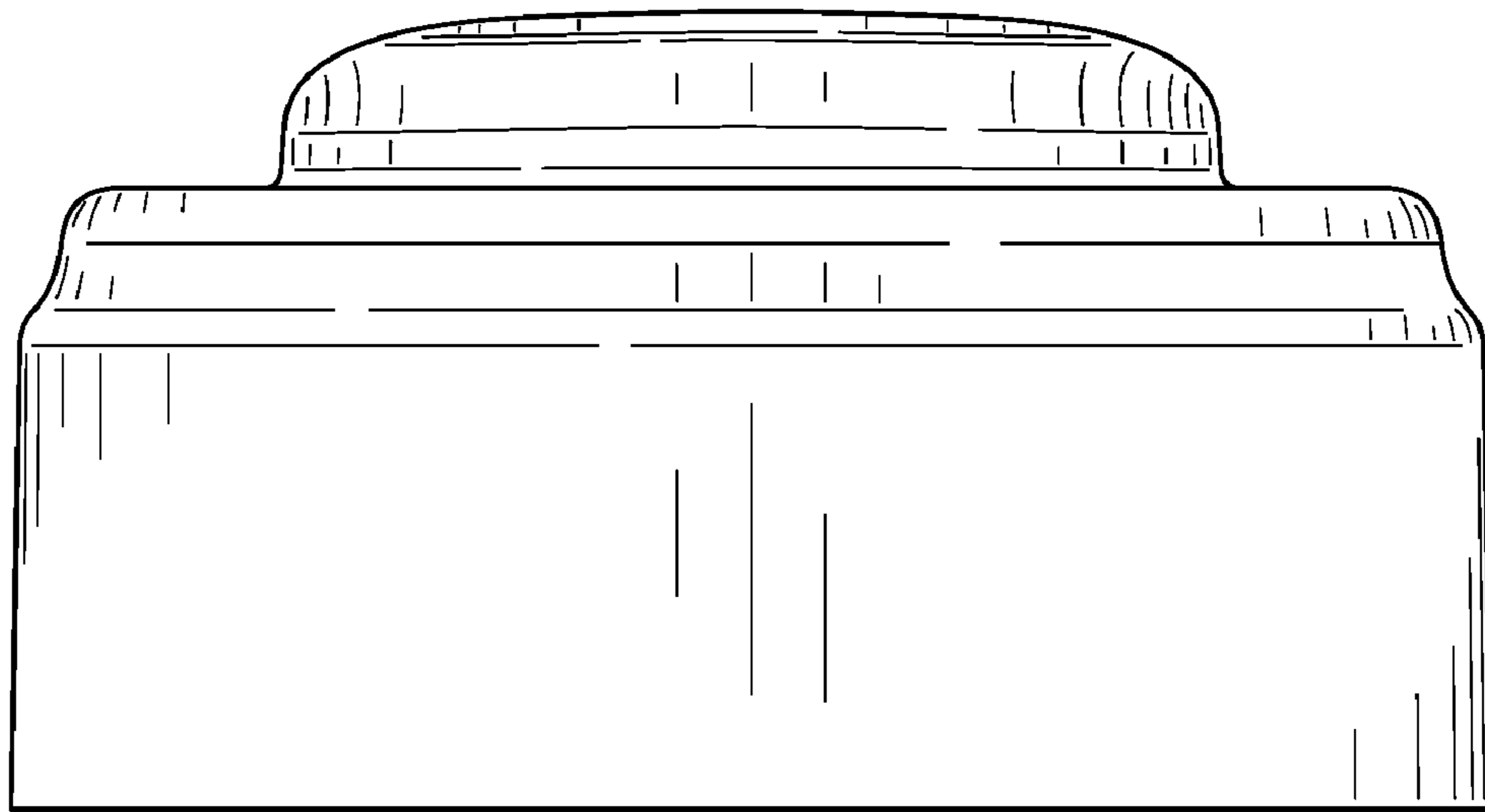


FIG. 13

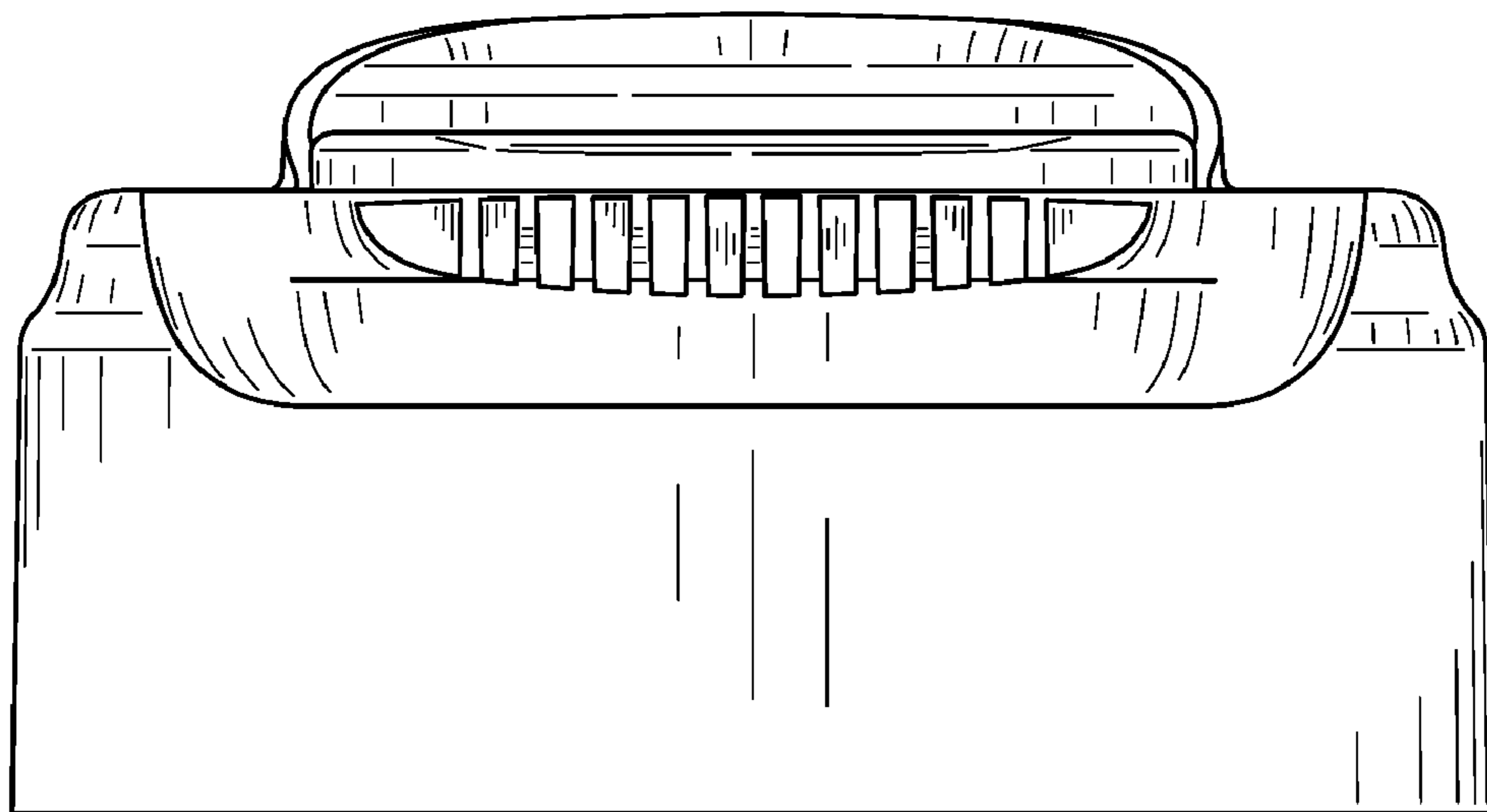


FIG. 14

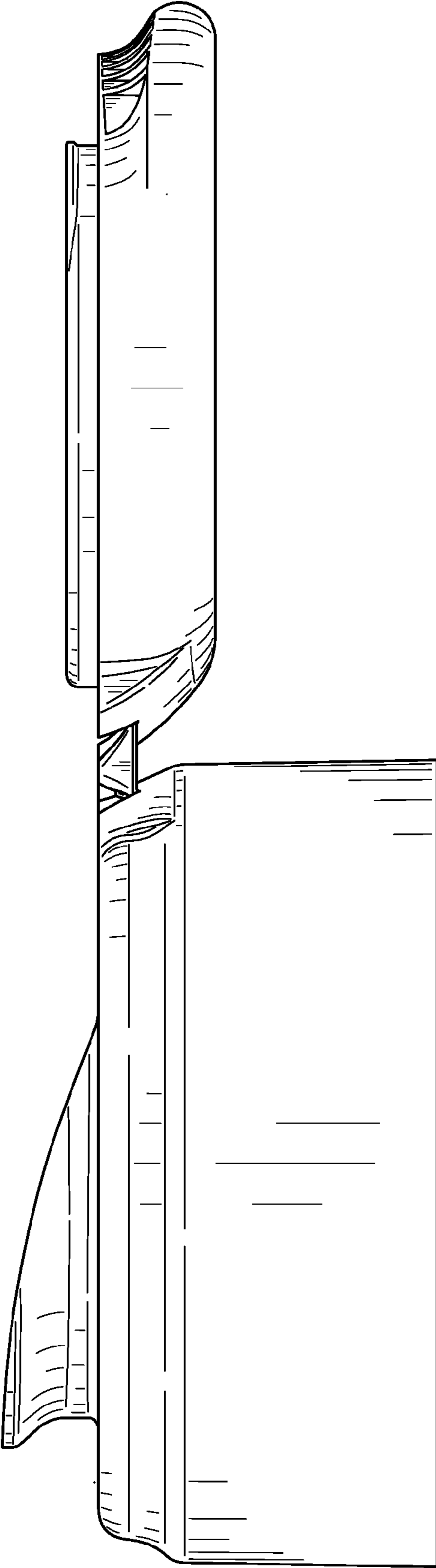


FIG. 15

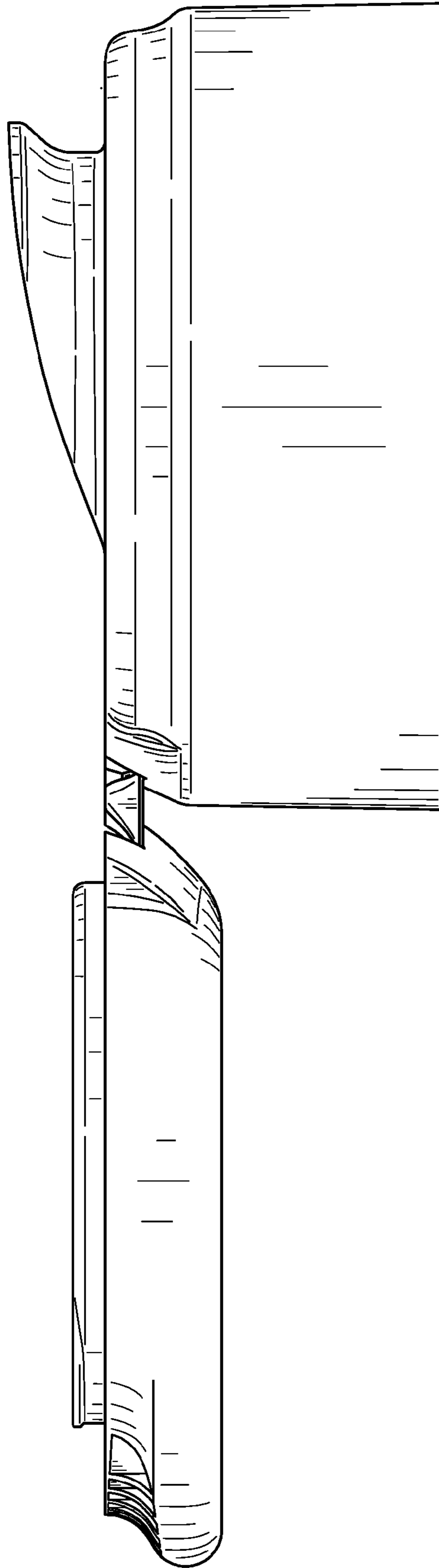


FIG. 16