



US00D608195S

(12) **United States Design Patent**  
**Germann**

(10) **Patent No.:** **US D608,195 S**

(45) **Date of Patent:** **\*\* Jan. 19, 2010**

(54) **BOTTLE CAP**

(75) Inventor: **Andreas Germann**, Schersingen (CH)

(73) Assignee: **Sigg Switzerland AG**, Frauenfeld (CH)

(\*\*) Term: **14 Years**

(21) Appl. No.: **29/326,811**

(22) Filed: **Oct. 24, 2008**

(30) **Foreign Application Priority Data**

Apr. 24, 2008 (CH) ..... 135075

(51) **LOC (9) Cl.** ..... **09-07**

(52) **U.S. Cl.** ..... **D9/443; D9/453**

(58) **Field of Classification Search** ..... D9/772,  
D9/724, 556, 529, 454, 453, 452, 449, 443,  
D9/439; D8/312, 107; D7/392.1; D23/261;  
D14/217; D12/197; 229/123.1; 222/541.2;  
220/288; 215/350, 344, 295, 270, 256, 252,  
215/218, 216, 209, 206

See application file for complete search history.

(56) **References Cited**

**U.S. PATENT DOCUMENTS**

D333,065 S \* 2/1993 Murphy ..... D9/443

D418,757 S \* 1/2000 Reidenbach ..... D9/453

D444,065 S \* 6/2001 Crawford et al. .... D9/453

D479,800 S \* 9/2003 McRae ..... D9/443

D485,757 S \* 1/2004 Roth et al. .... D9/443

D524,909 S \* 7/2006 Bakke et al. .... D23/233

D543,776 S \* 3/2007 Yelland ..... D7/392.1

D568,740 S \* 5/2008 Williams ..... D9/443

D572,585 S \* 7/2008 Perrin et al. .... D9/443

\* cited by examiner

*Primary Examiner*—Susan Bennett Hattan

(74) *Attorney, Agent, or Firm*—Pearne & Gordon LLP

(57) **CLAIM**

The ornamental design for a bottle cap, as shown and described.

**DESCRIPTION**

FIG. 1 is a first perspective view of my new invention;

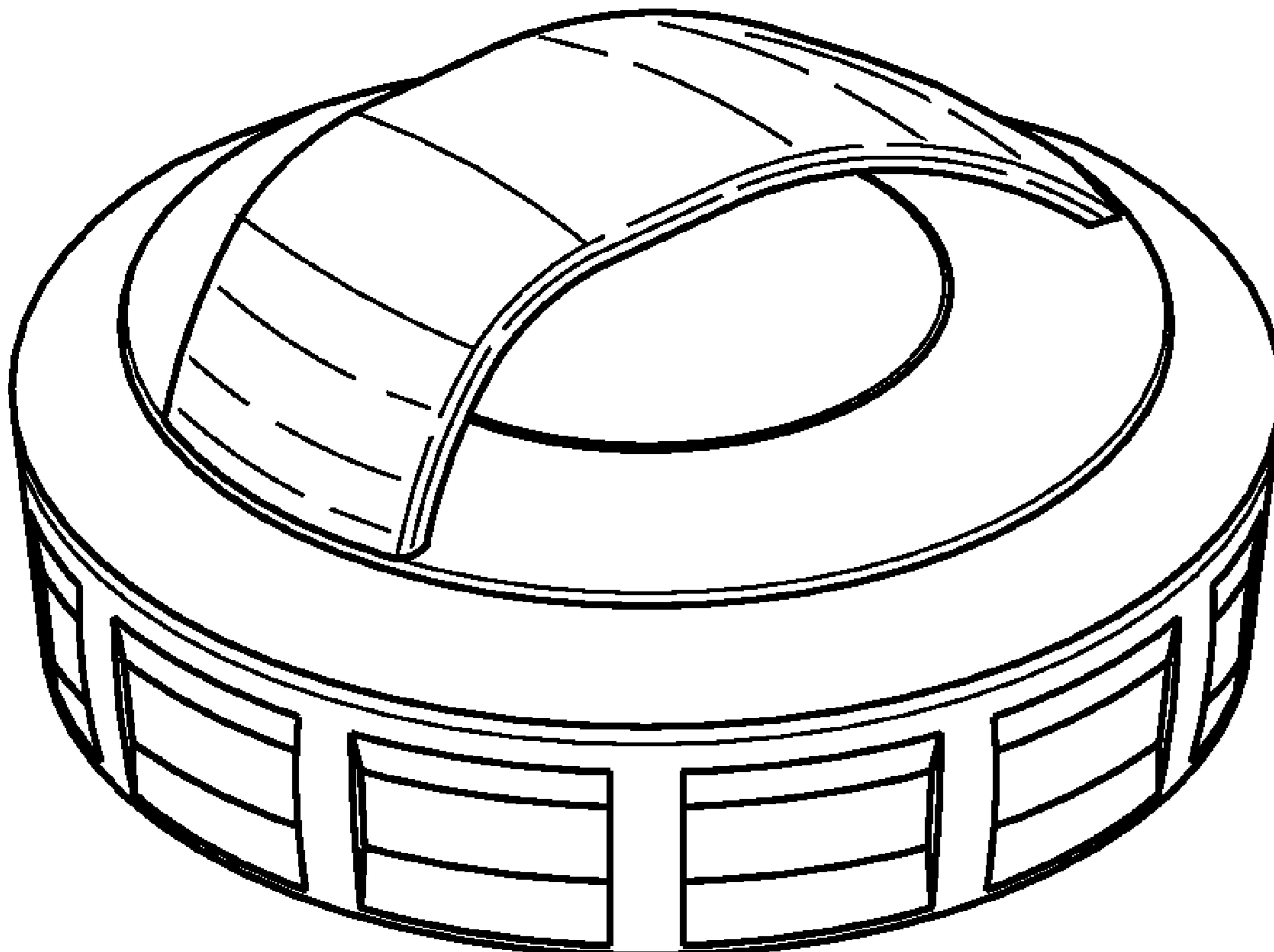
FIG. 2 is a front view thereof, a rear view being a mirror image thereof;

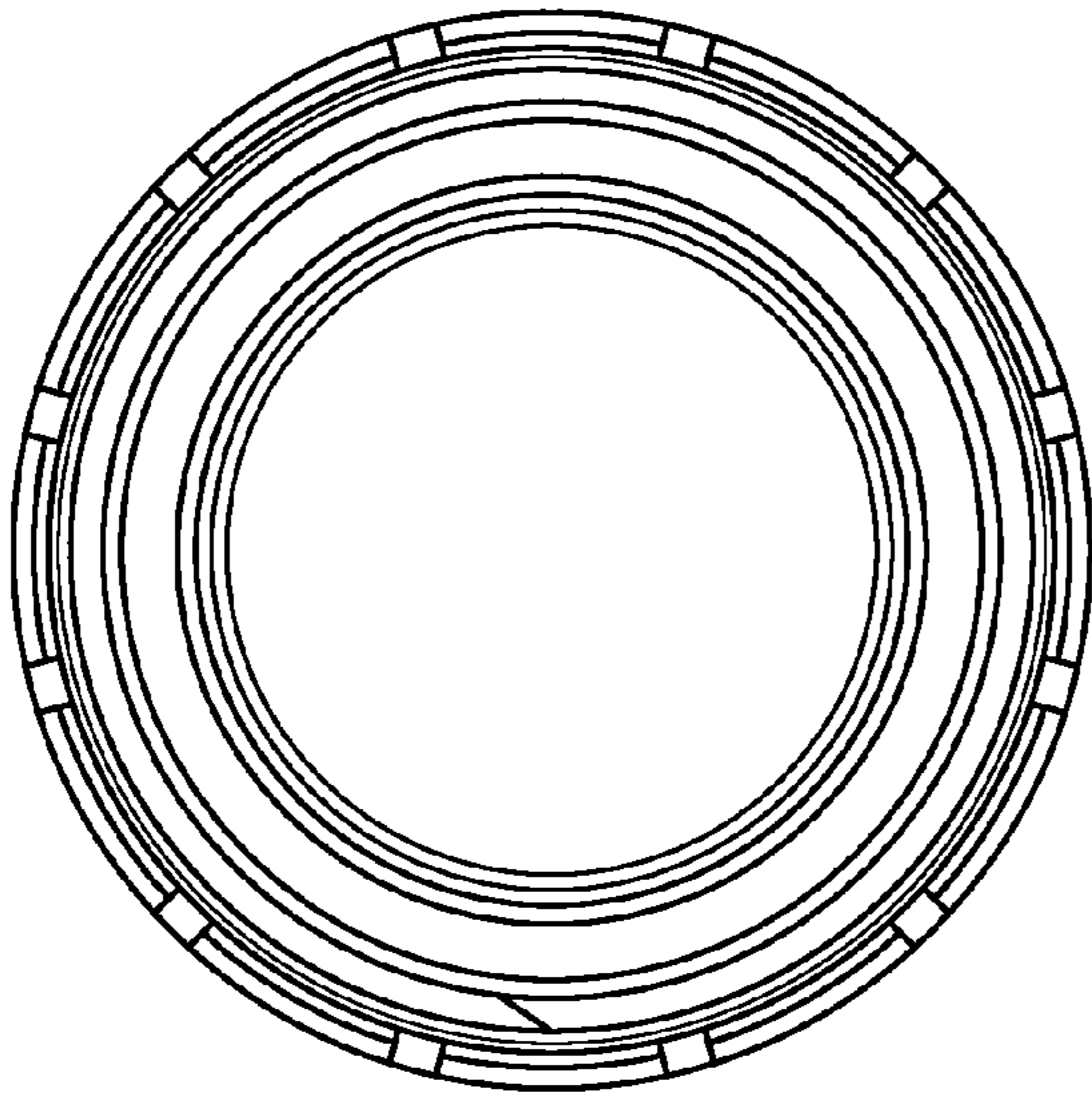
FIG. 3 is a top view thereof;

FIG. 4 is a bottom view thereof; and,

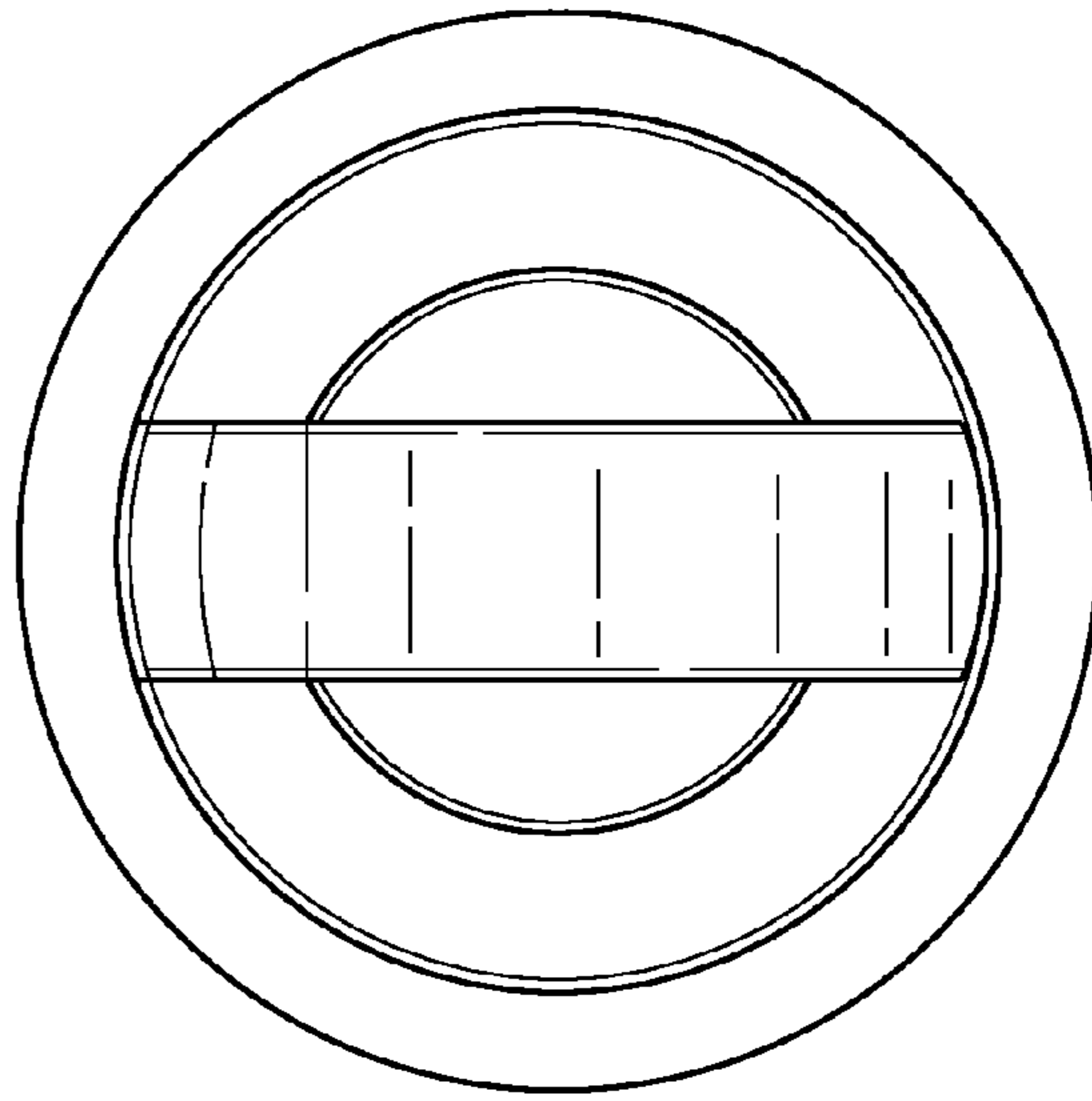
FIG. 5 is a second perspective view thereof.

**1 Claim, 1 Drawing Sheet**

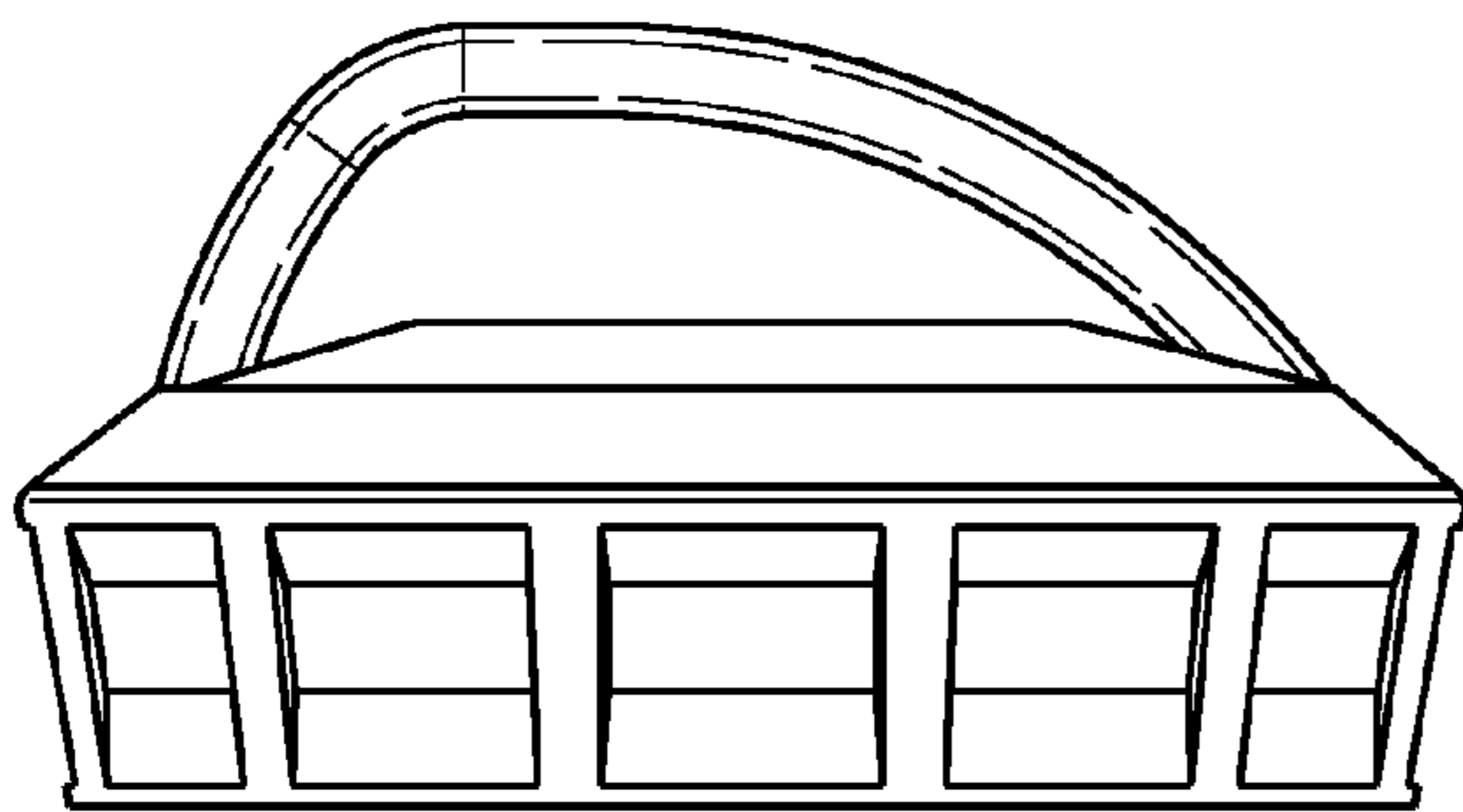




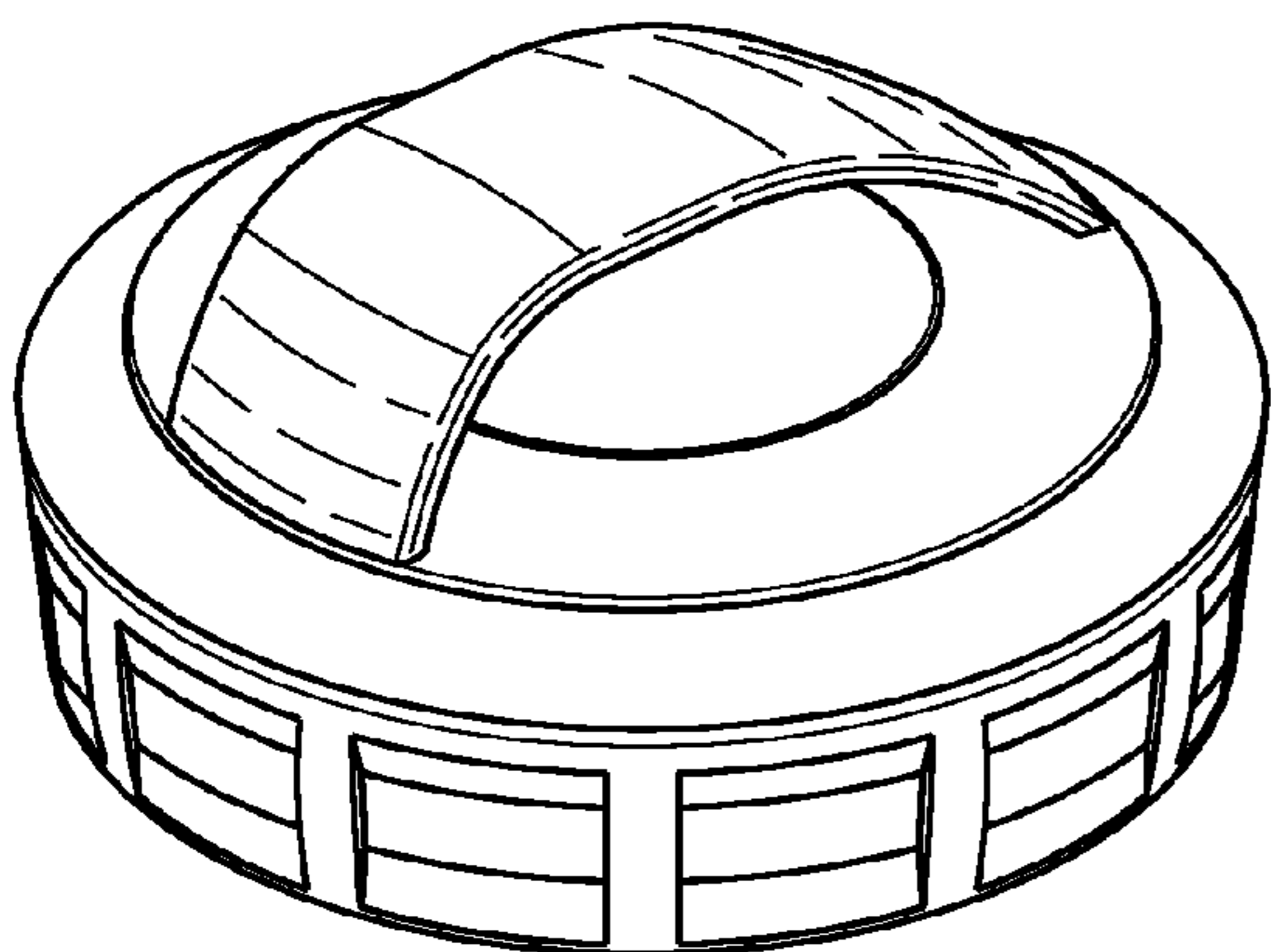
*Fig. 4*



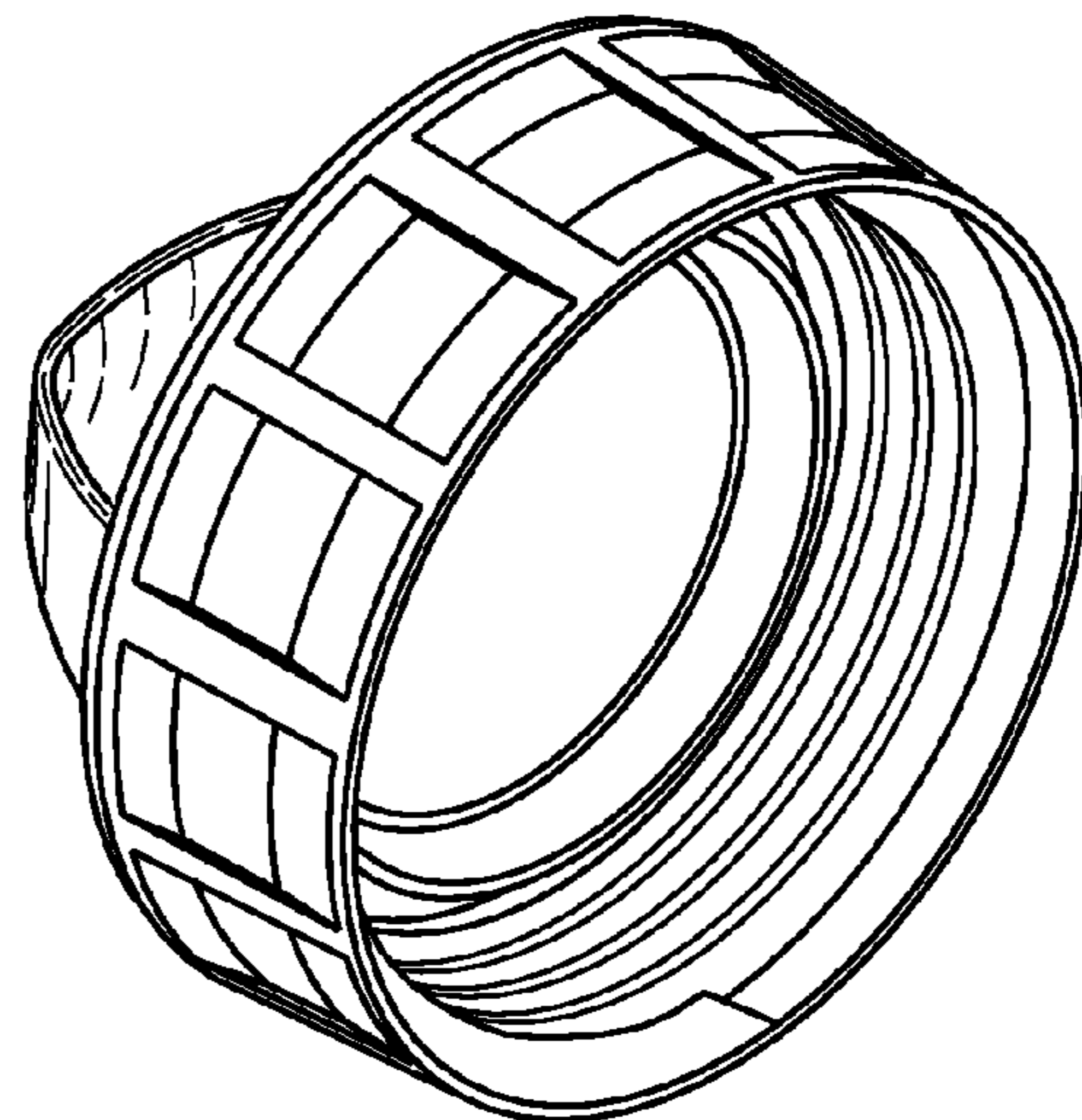
*Fig. 3*



*Fig. 2*



*Fig. 1*



*Fig. 5*