



US00D608193S

(12) **United States Design Patent**
Sanfilippo et al.

(10) **Patent No.:** **US D608,193 S**

(45) **Date of Patent:** **** *Jan. 19, 2010**

(54) **FLEXIBLE CONTAINER AND LID**

(75) Inventors: **John E. Sanfilippo**, Barrington Hills, IL (US); **James J. Sanfilippo**, Barrington Hills, IL (US); **Jeanne M. Skaggs**, Arlington Heights, IL (US); **Roy Speer**, Barrington Hills, IL (US)

(73) Assignee: **Clear Lam Packaging, Inc.**, Elk Grove Village, IL (US)

(**) Term: **14 Years**

(21) Appl. No.: **29/319,848**

(22) Filed: **Jun. 16, 2008**

Related U.S. Application Data

(63) Continuation of application No. 29/295,565, filed on Oct. 1, 2007, now Pat. No. Des. 571,197.

(51) **LOC (9) Cl.** **09-03**

(52) **U.S. Cl.** **D9/420; D9/435**

(58) **Field of Classification Search** D9/420-423, D9/426, 432, 435; D3/257; D7/629; D28/76, D28/77; D34/11; 222/556; 229/225-234, 229/125.09; 206/37, 540, 564, 566; 220/254.3, 220/259.1, 713, 819, 378, 835; 264/250
See application file for complete search history.

(56) **References Cited**

U.S. PATENT DOCUMENTS

2,251,283 A 8/1941 Johnson

(Continued)

FOREIGN PATENT DOCUMENTS

EP	1106508	6/2001
FR	2766794	2/1999
JP	10203560	8/1998
WO	WO-2004/110885	12/2004

OTHER PUBLICATIONS

International Search Report and Written Opinion for International Application No. PCT/US2008/072554 (dated Feb. 23, 2009).

International Search Report and Written Opinion for International Application No. PCT/US2008/082689 (dated Mar. 24, 2009).

Primary Examiner—Daniel D Bui

Assistant Examiner—Thomas J Johannes

(74) *Attorney, Agent, or Firm*—Marshall, Gerstein & Borun LLP

(57) **CLAIM**

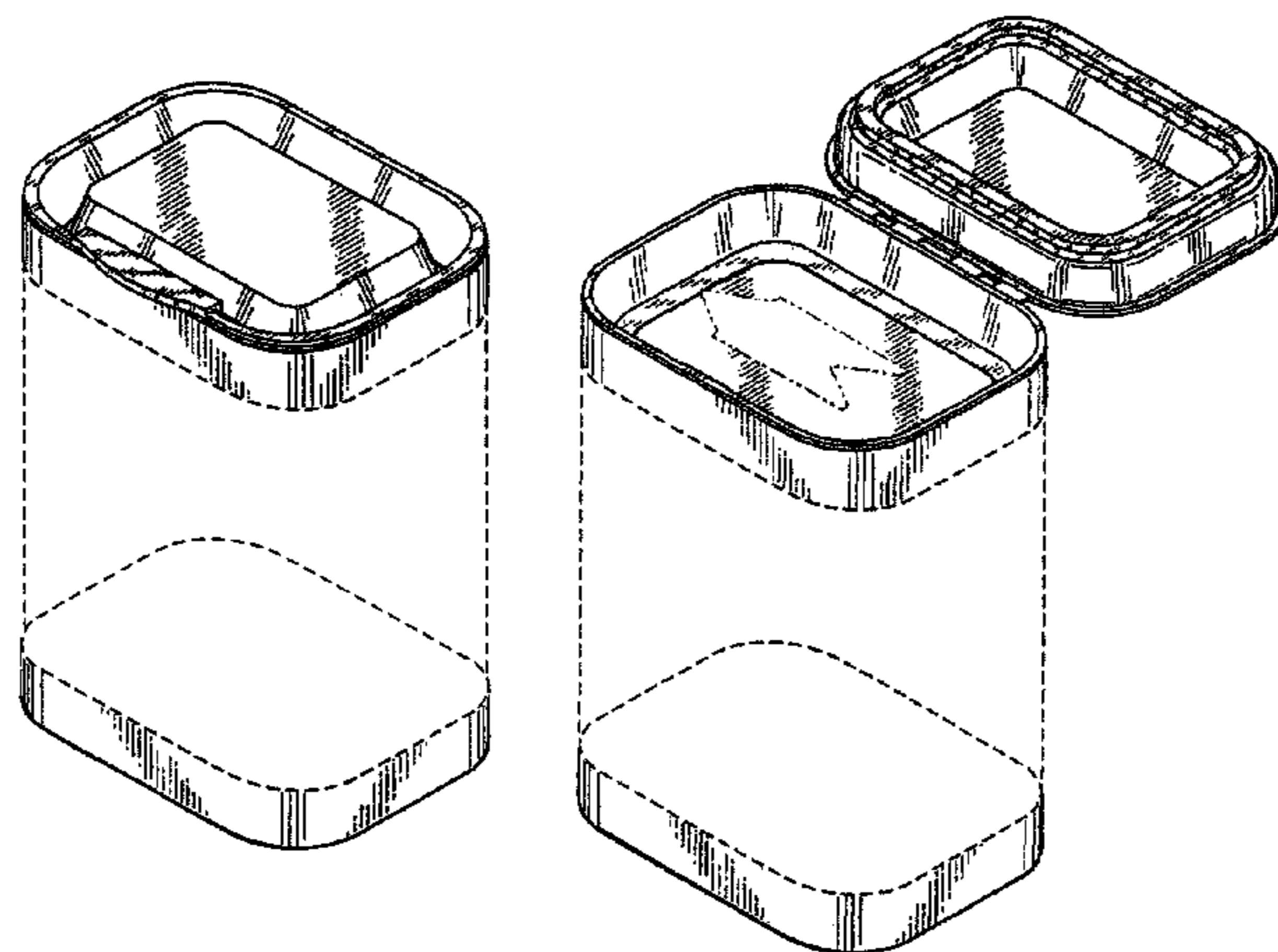
The ornamental design for a “flexible container and lid,” as shown and described.

DESCRIPTION

FIG. 1 is a perspective view of a flexible container and lid;
 FIG. 2 is a front side view of the flexible container and lid;
 FIG. 3 is a back side view of the flexible container and lid;
 FIG. 4 is a right side view of the flexible container and lid;
 FIG. 5 is a left side view of the flexible container and lid;
 FIG. 6 is a top view of the flexible container and lid;
 FIG. 7 is a bottom view of the flexible container and lid;
 FIG. 8 is a perspective view of the flexible container and lid with the lid in an open position;
 FIG. 9 is a front side view of the flexible container and lid with the lid in an open position;
 FIG. 10 is a back side view of the flexible container and lid with the lid in an open position;
 FIG. 11 is a right side view of the flexible container and lid with the lid in an open position;
 FIG. 12 is a left side view of the flexible container and lid with the lid in an open position;
 FIG. 13 is a top view of the flexible container and lid with the lid in an open position; and,
 FIG. 14 is a bottom view of the flexible container and lid with the lid in an open position.

The broken lines in the figures showing sides of the flexible container and a peel tab are for illustrative purposes only and form no part of the claimed design.

1 Claim, 8 Drawing Sheets



US D608,193 S

Page 2

U.S. PATENT DOCUMENTS				
2,416,332 A	2/1947	Lehman	6,430,899 B1	8/2002 Cicha
2,495,807 A	1/1950	Buttery	6,431,434 B1	8/2002 Haughton et al.
2,695,847 A	11/1954	Fisher	D463,276 S	9/2002 Piscopo et al. D9/420
2,750,093 A	6/1956	Moore	D464,884 S	10/2002 Sumpmann et al. D9/432
2,758,775 A	8/1956	Moore	D466,807 S	12/2002 Buck et al.
2,787,419 A	4/1957	Moore	D471,804 S	3/2003 Staples D9/423
3,116,153 A	12/1963	Etal	D473,461 S	4/2003 Joubert D9/423
3,275,214 A	9/1966	Carangelo	D485,461 S	1/2004 Sams et al.
3,423,007 A	1/1969	Christensson	D487,192 S	3/2004 Farnham et al.
3,621,637 A	11/1971	Sternau	D489,530 S	5/2004 Lindsay
3,968,921 A	7/1976	Jewell	6,729,112 B2	5/2004 Kuss et al.
D266,049 S	9/1982	Conti D7/76	6,736,309 B1	5/2004 Westerman et al.
4,798,295 A	1/1989	Rausing	6,761,279 B1	7/2004 Martin et al.
4,804,137 A	2/1989	Harby	D501,134 S	1/2005 Takahashi et al.
5,036,997 A	8/1991	May et al.	D503,336 S	3/2005 Tucker et al.
5,065,887 A	11/1991	Schuh et al. 220/338	D504,622 S	5/2005 Takahashi et al.
D351,090 S	10/1994	Narsutis	6,953,069 B2	10/2005 Galomb
5,353,946 A	10/1994	Behrend	D513,870 S	1/2006 Rosine et al.
D354,436 S	1/1995	Krupa	D531,894 S	11/2006 Ramirez et al.
D364,563 S	11/1995	Miller et al.	7,153,026 B2	12/2006 Galomb
5,505,305 A	4/1996	Scholz et al.	D544,762 S	6/2007 Zimmerman
D374,774 S	10/1996	Cassel	D545,186 S	6/2007 Liebe et al. D9/420
5,611,452 A	3/1997	Bonora et al. 220/378	D548,080 S	8/2007 Brown et al.
5,655,706 A	8/1997	Vandiver	D552,468 S	10/2007 Seum et al. D9/420
D386,001 S	11/1997	Saffran D3/203	D571,146 S	6/2008 Sanfilippo et al.
5,687,848 A	11/1997	Scholz et al.	2002/0144998 A1	10/2002 Lees et al.
5,704,480 A	1/1998	Scholz et al.	2003/0001002 A1	1/2003 Haughton et al.
D394,606 S	5/1998	Zorn et al. D9/432	2003/0111523 A1	6/2003 Haugan
D395,952 S	7/1998	Buczynski et al.	2004/0188457 A1	9/2004 Galomb
5,785,179 A	7/1998	Buczynski et al.	2004/0226625 A1	11/2004 Galomb
D409,484 S	5/1999	Tasker	2004/0251163 A1	12/2004 Conde et al.
D412,439 S	8/1999	Cormack	2004/0262322 A1	12/2004 Middleton et al.
D421,901 S	3/2000	Hill	2005/0011906 A1	1/2005 Buck et al.
D421,902 S	3/2000	Hill	2005/0139645 A1	6/2005 Shean et al.
D437,686 S	2/2001	Balzar et al.	2005/0150785 A1	7/2005 Julius et al.
6,182,887 B1	2/2001	Ljunstrom et al.	2005/0189367 A1	9/2005 Chasid et al.
6,253,993 B1	7/2001	Lloyd et al.	2005/0265636 A1	12/2005 Michalsky
D446,014 S	8/2001	Adkins	2005/0276525 A1	12/2005 Hebert et al.
D450,960 S	11/2001	Boyea et al.	2006/0016865 A1	1/2006 Berglin et al.
D452,374 S	12/2001	Kim	2006/0076352 A1	4/2006 Peterson et al. 220/254.3
6,354,062 B1	3/2002	Haughton et al.	2006/0283750 A1	12/2006 Villars et al.
D461,403 S	8/2002	Chomik et al.	2007/0082096 A1	4/2007 Dougherty et al.

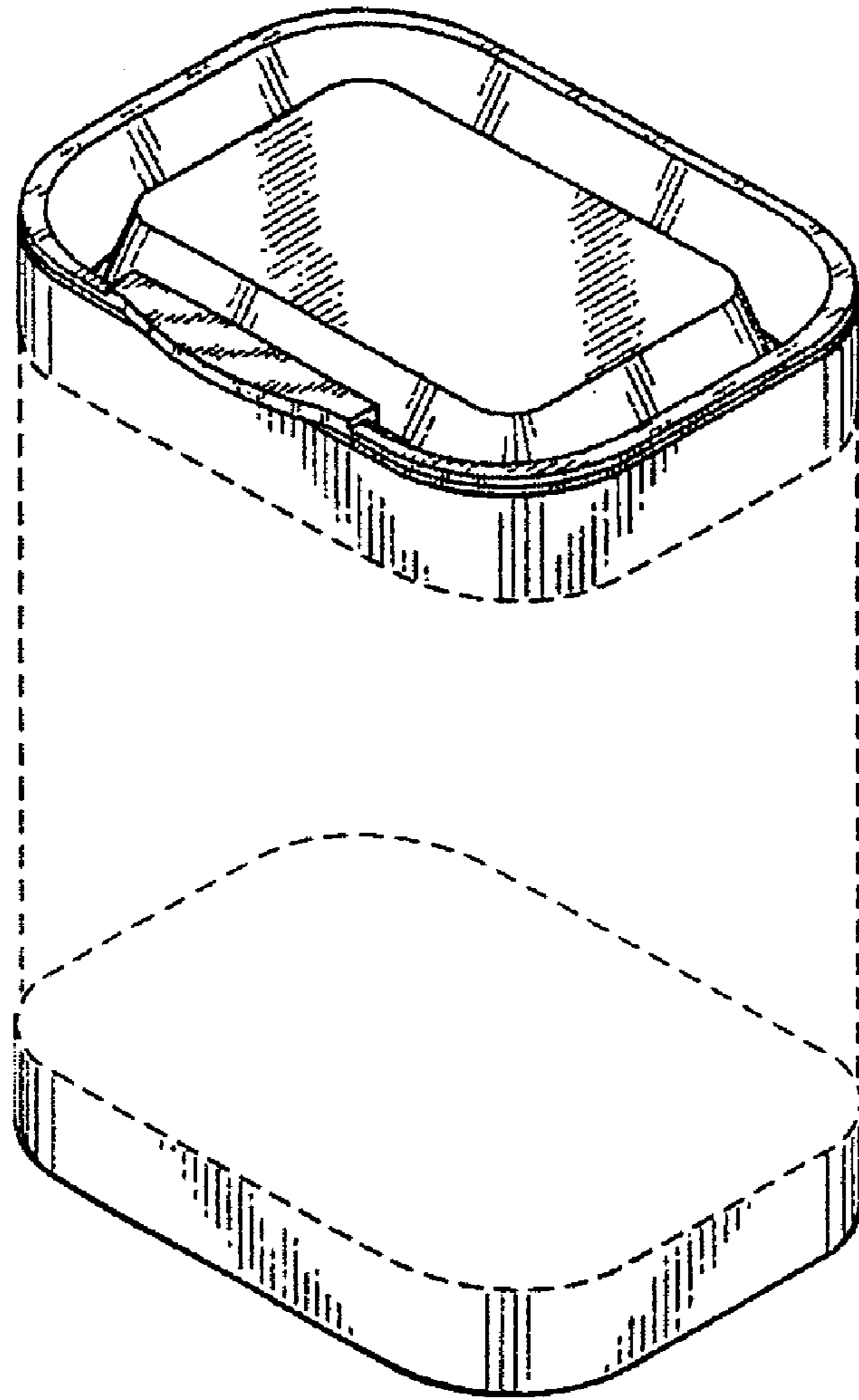


FIG. 1

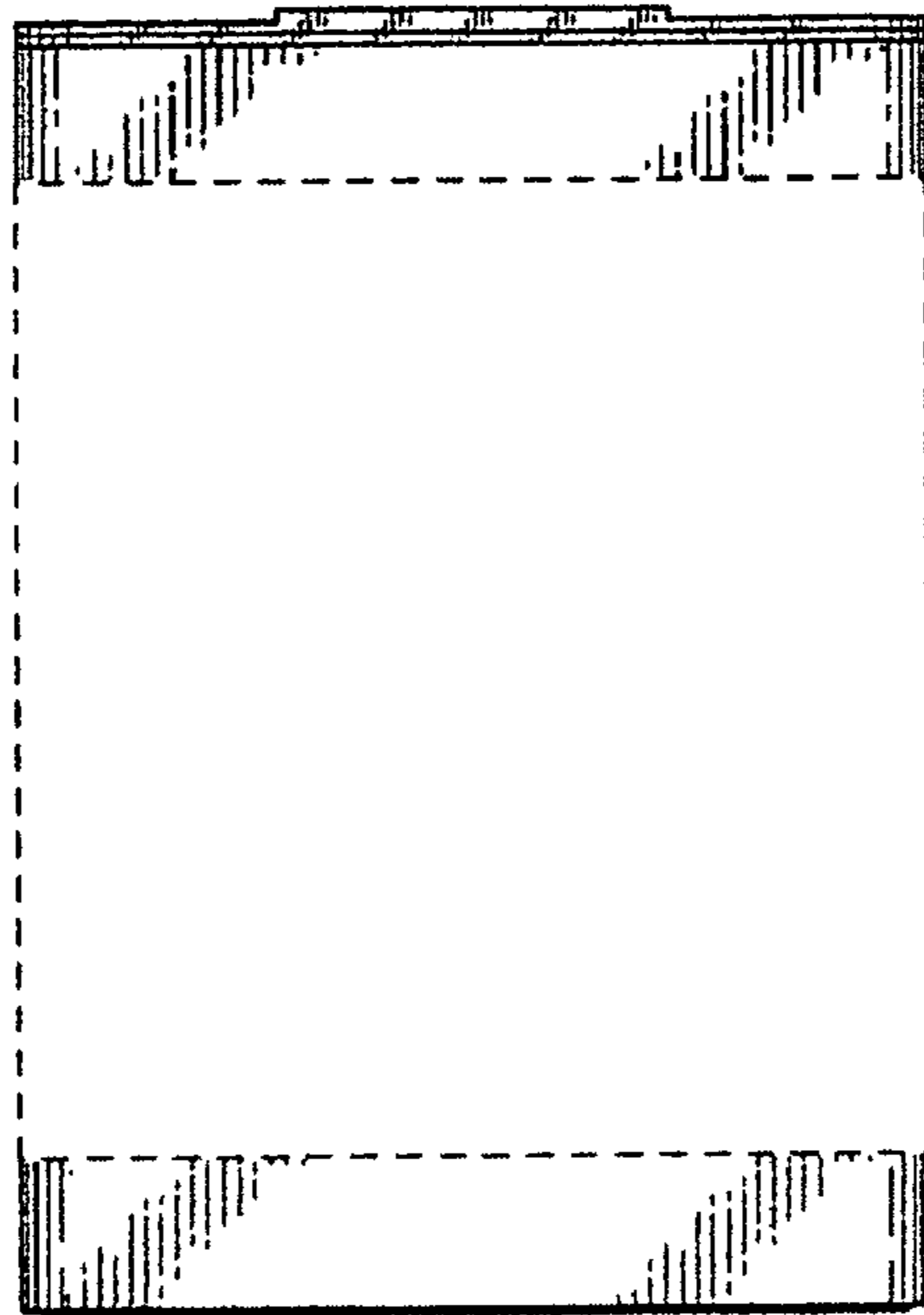


FIG. 2

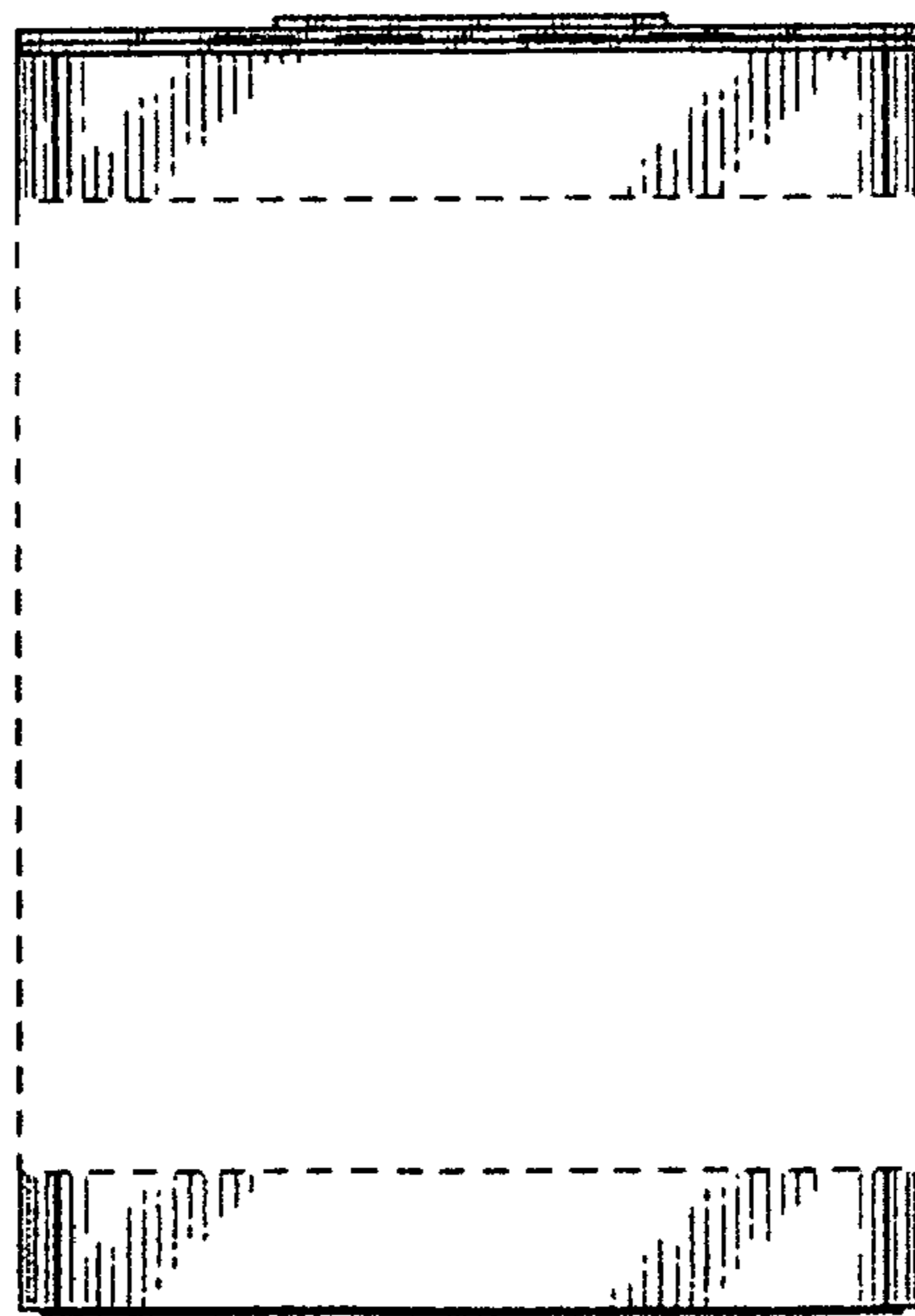


FIG. 3

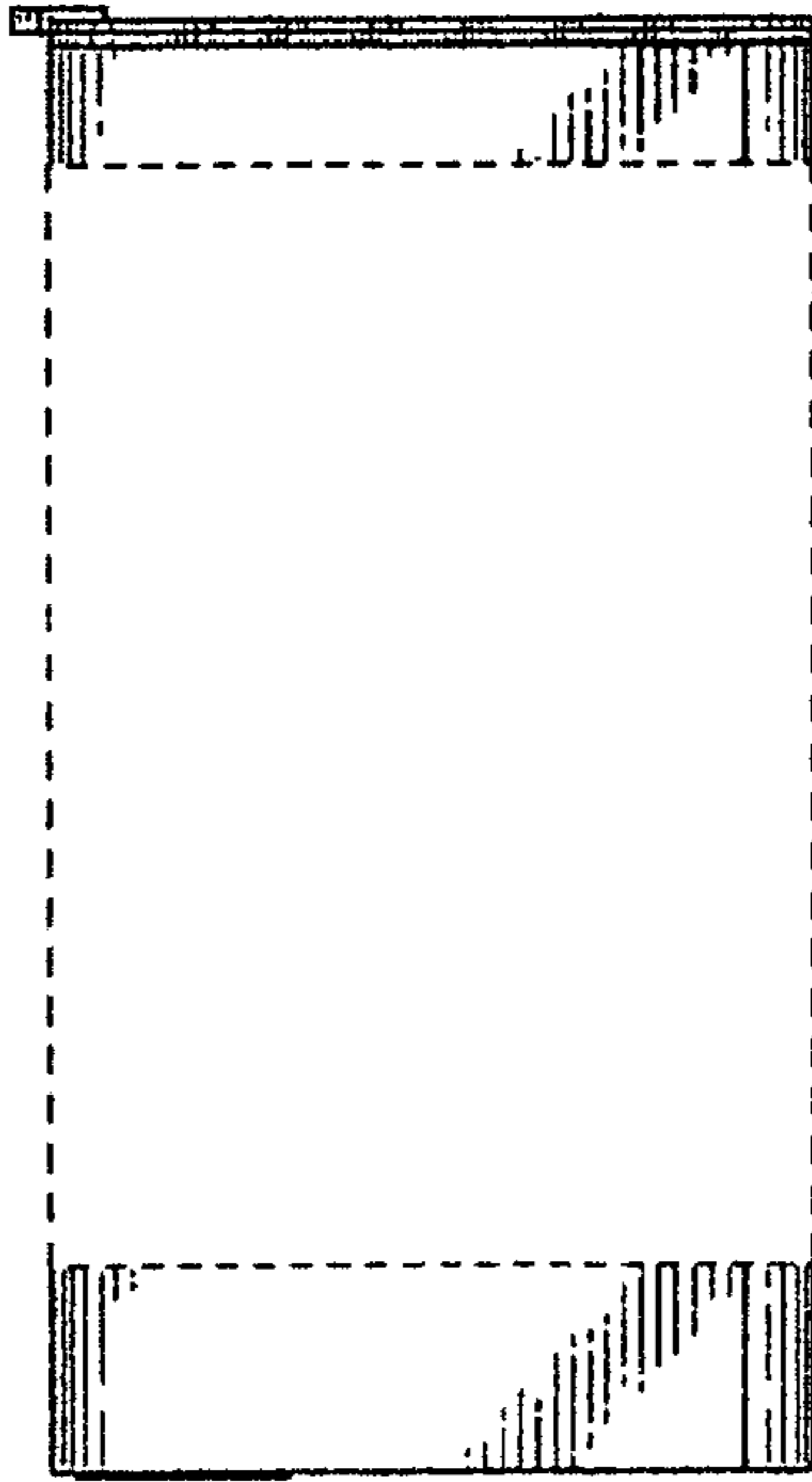


FIG. 4

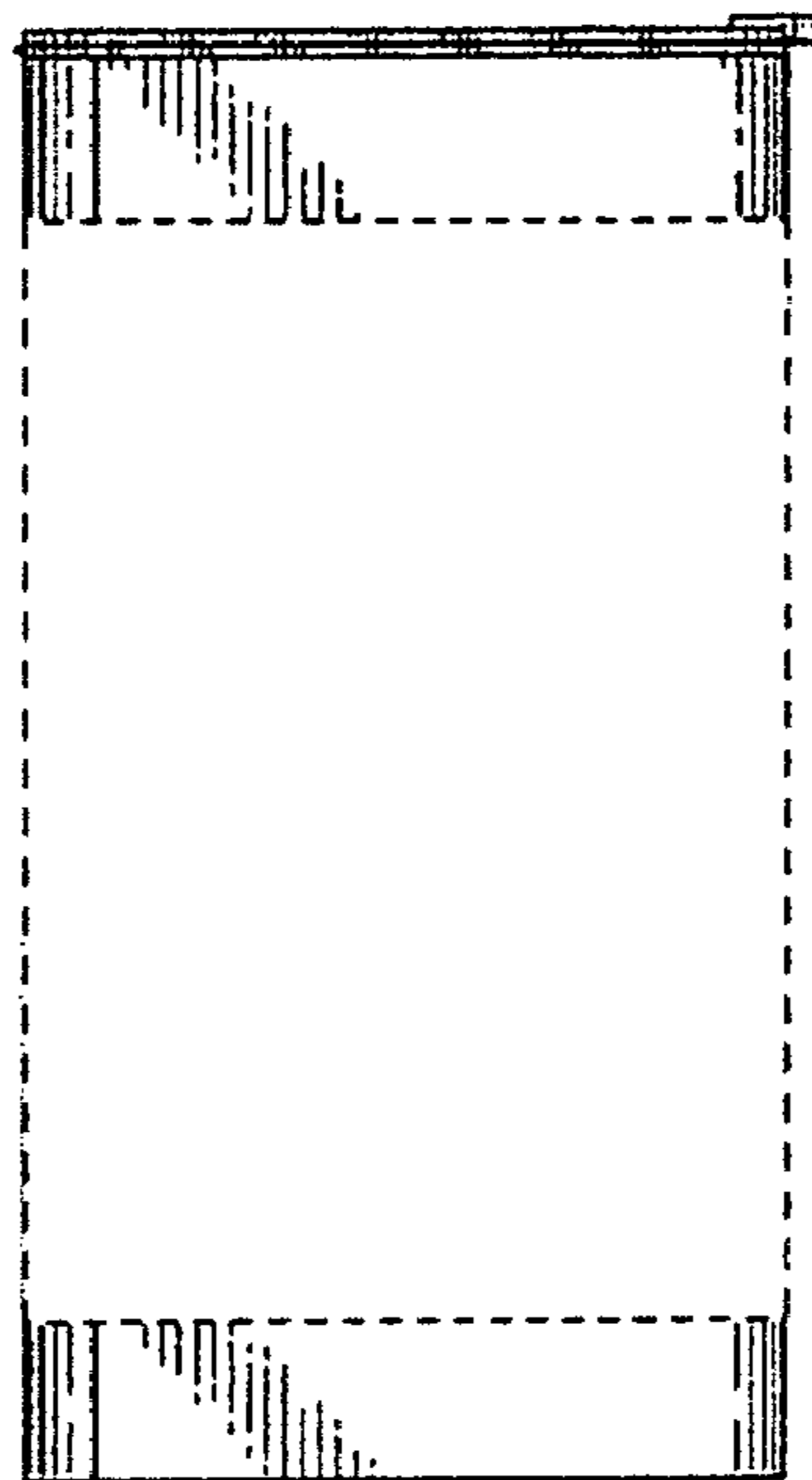


FIG. 5

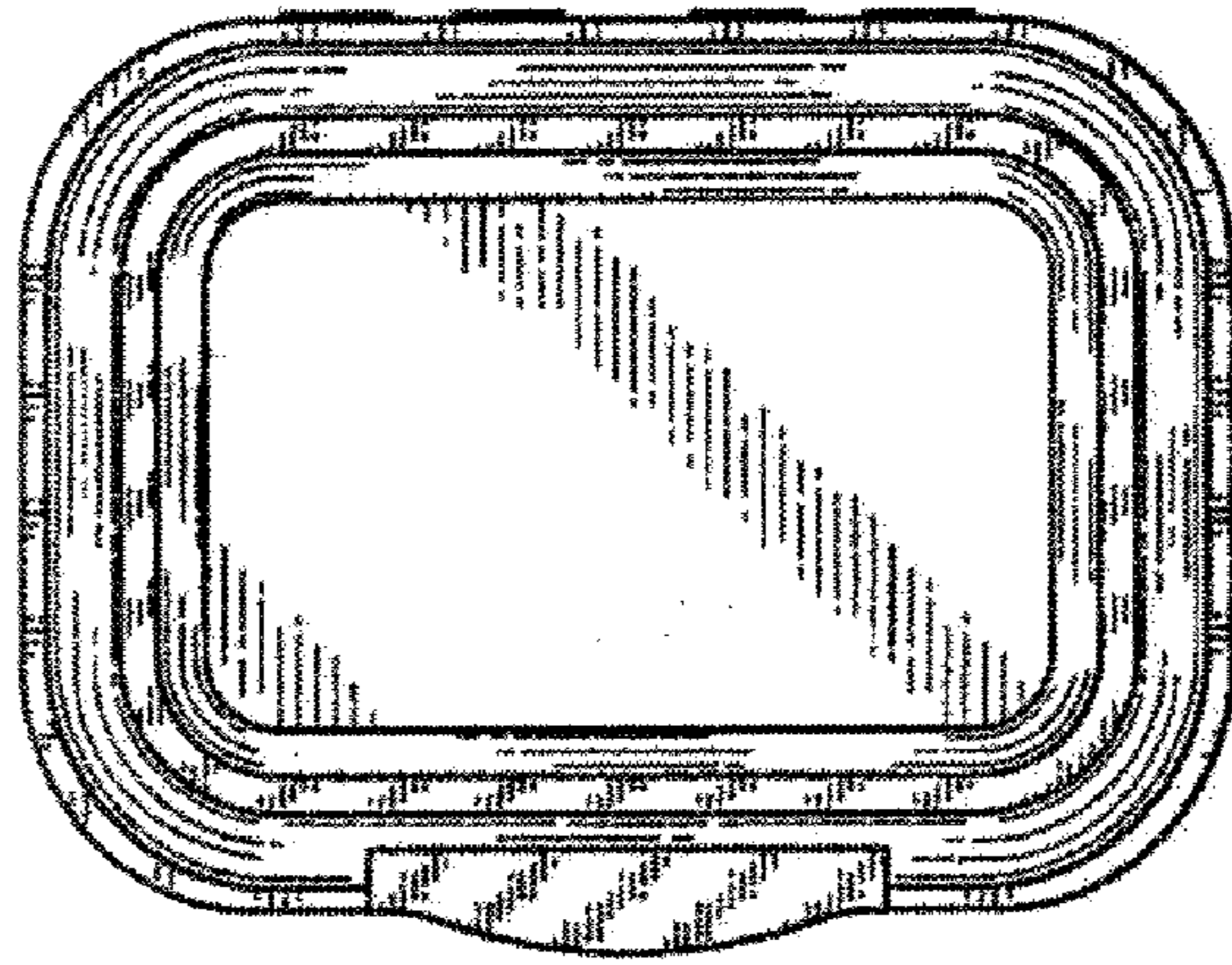


FIG. 6

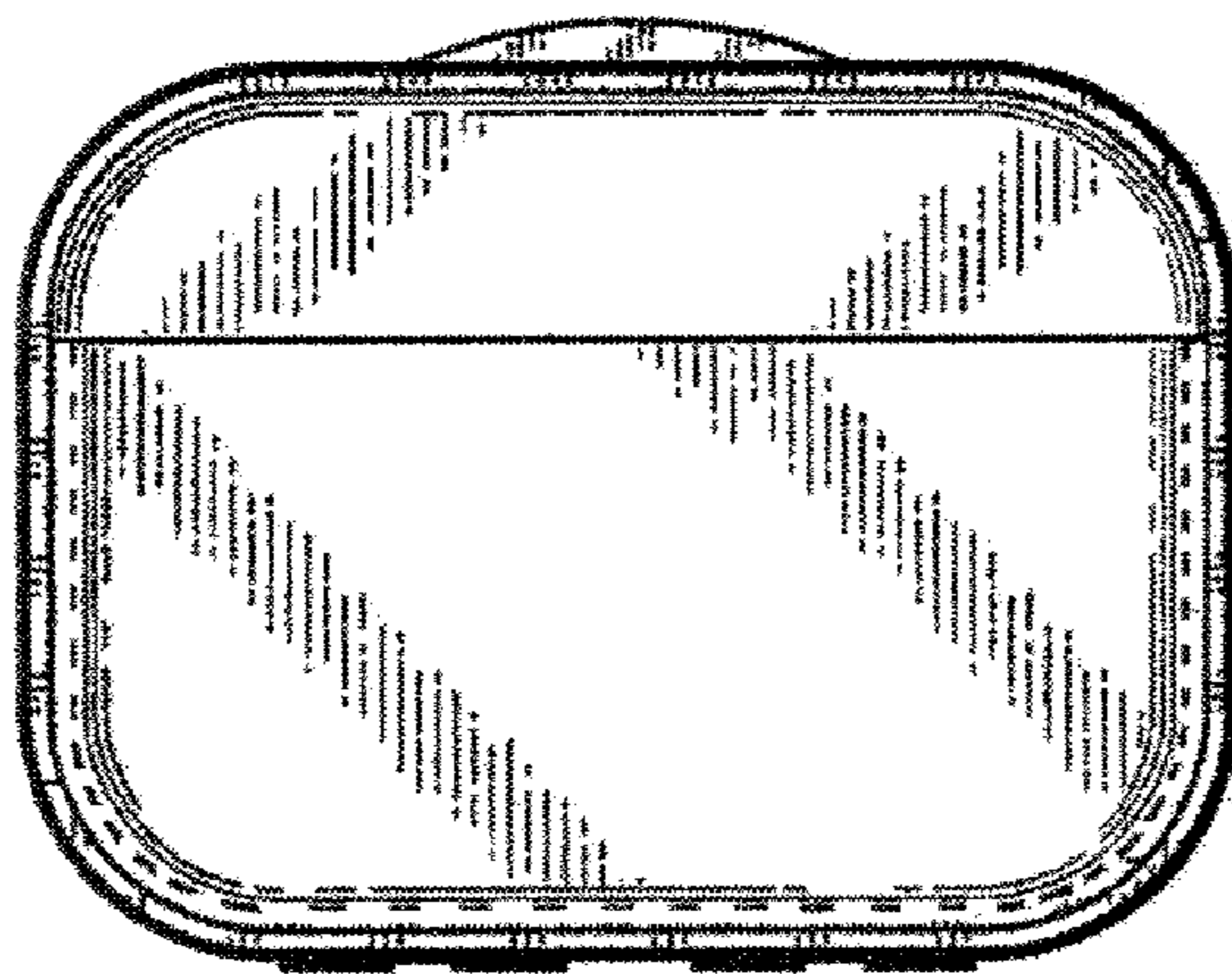


FIG. 7

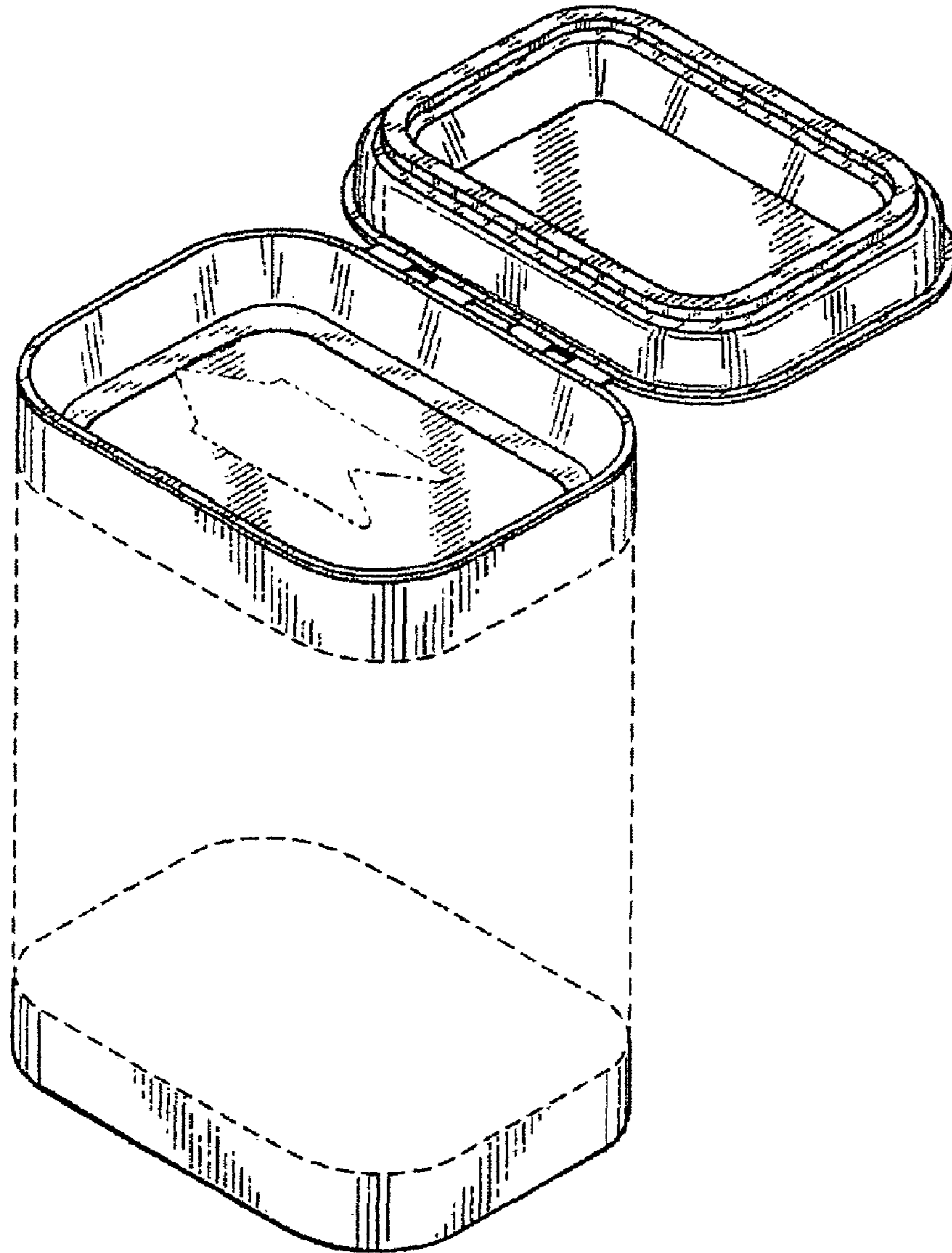


FIG. 8

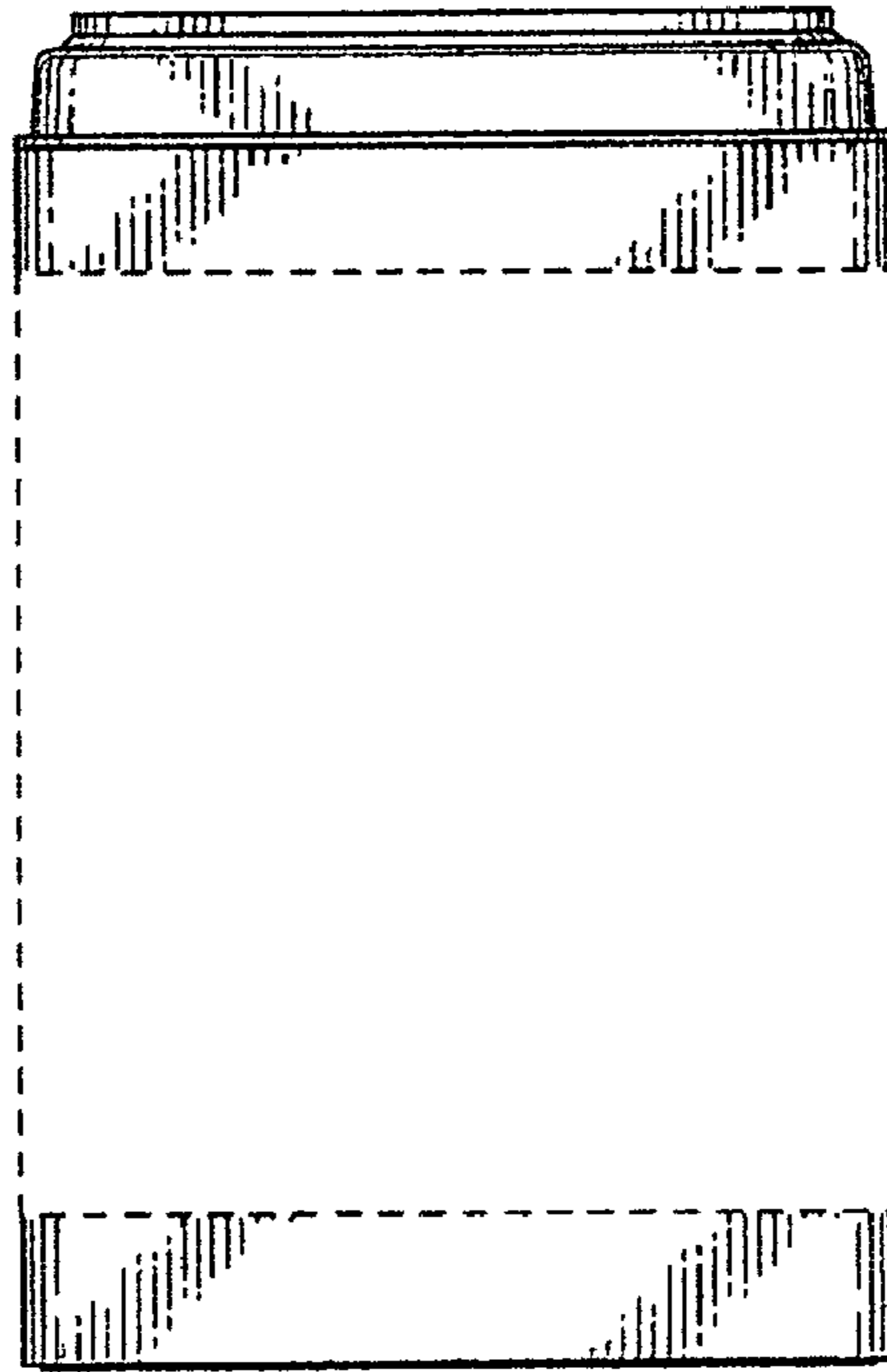


FIG. 9

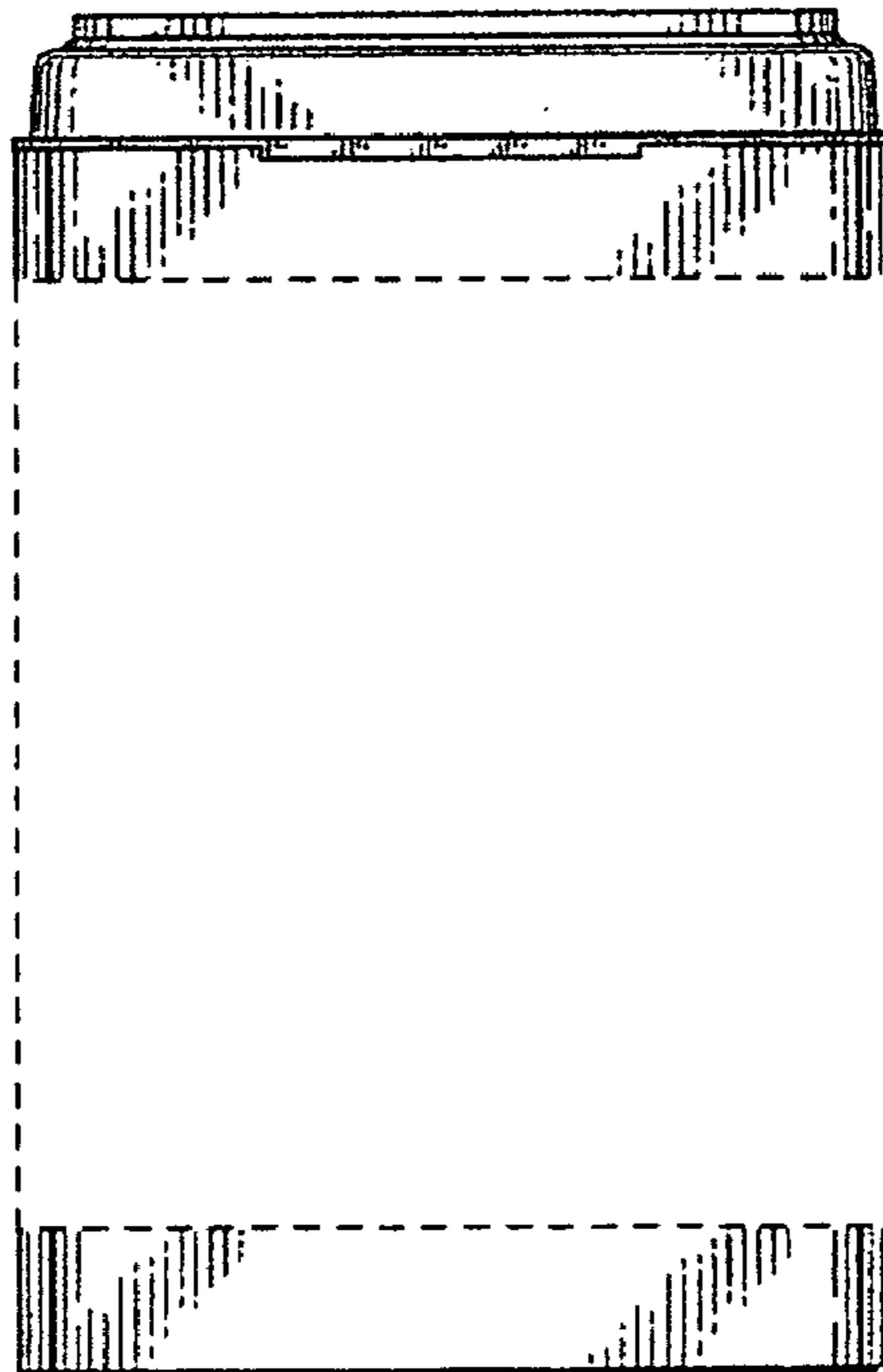


FIG. 10

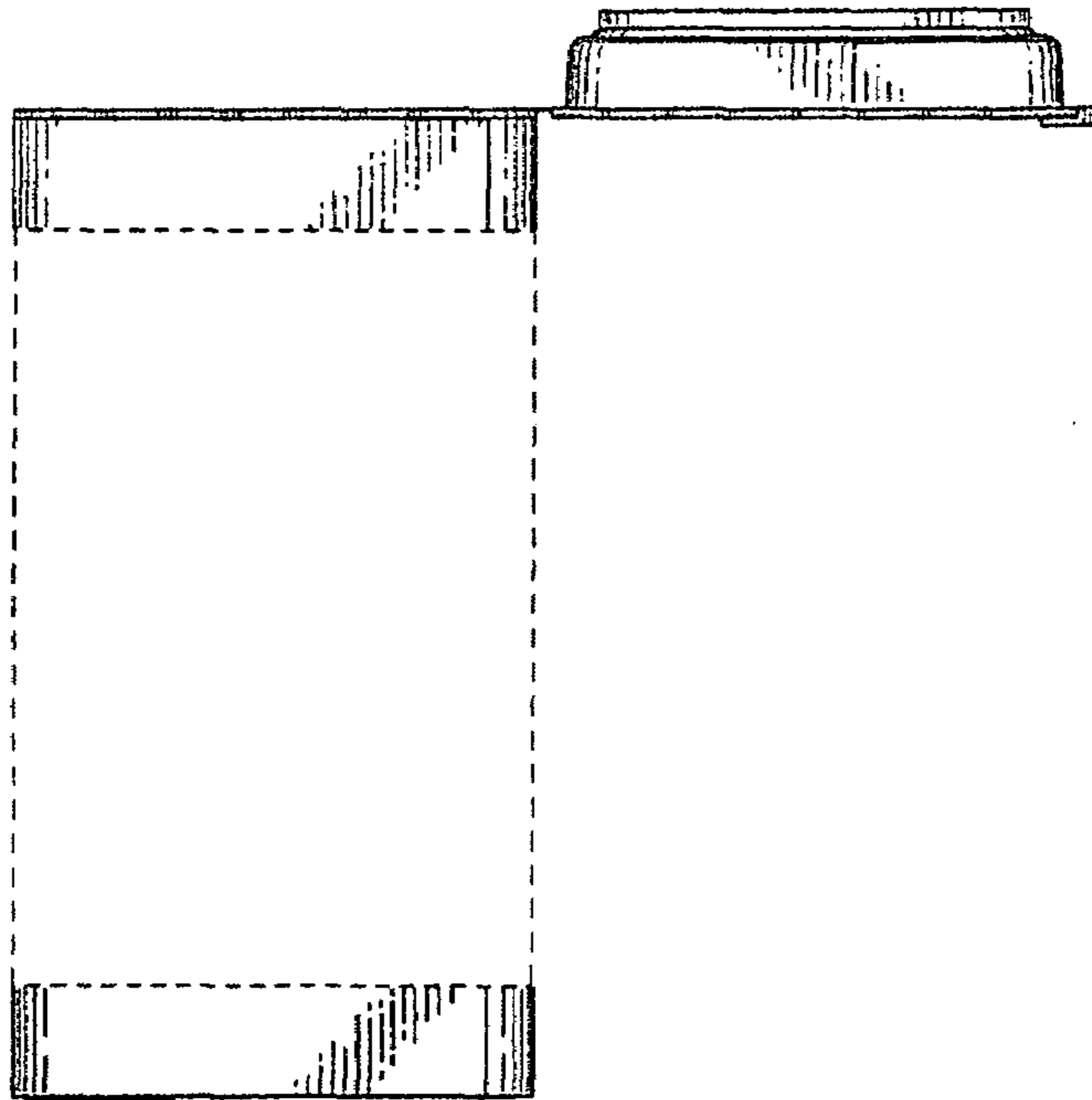


FIG. 11

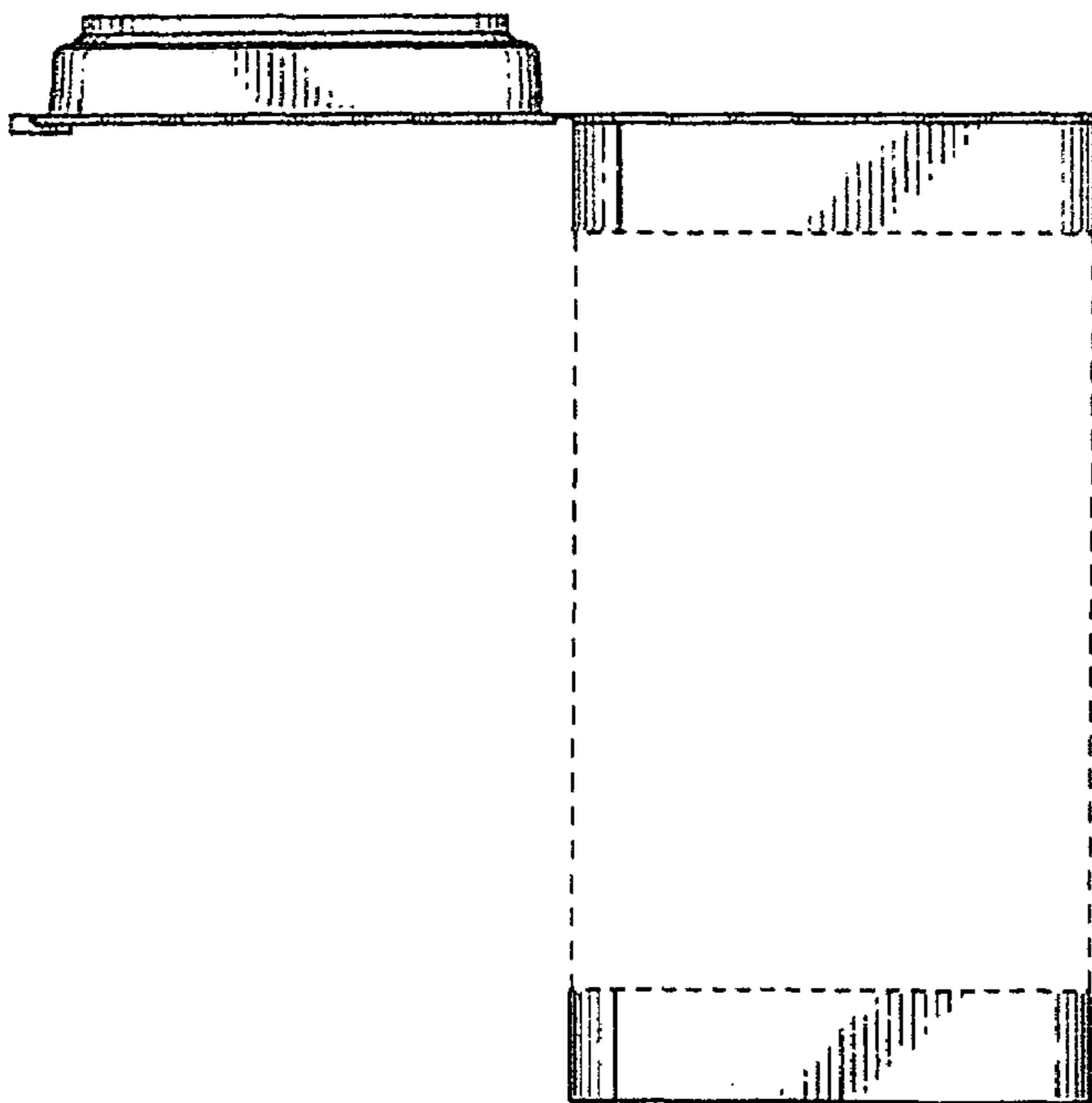


FIG. 12

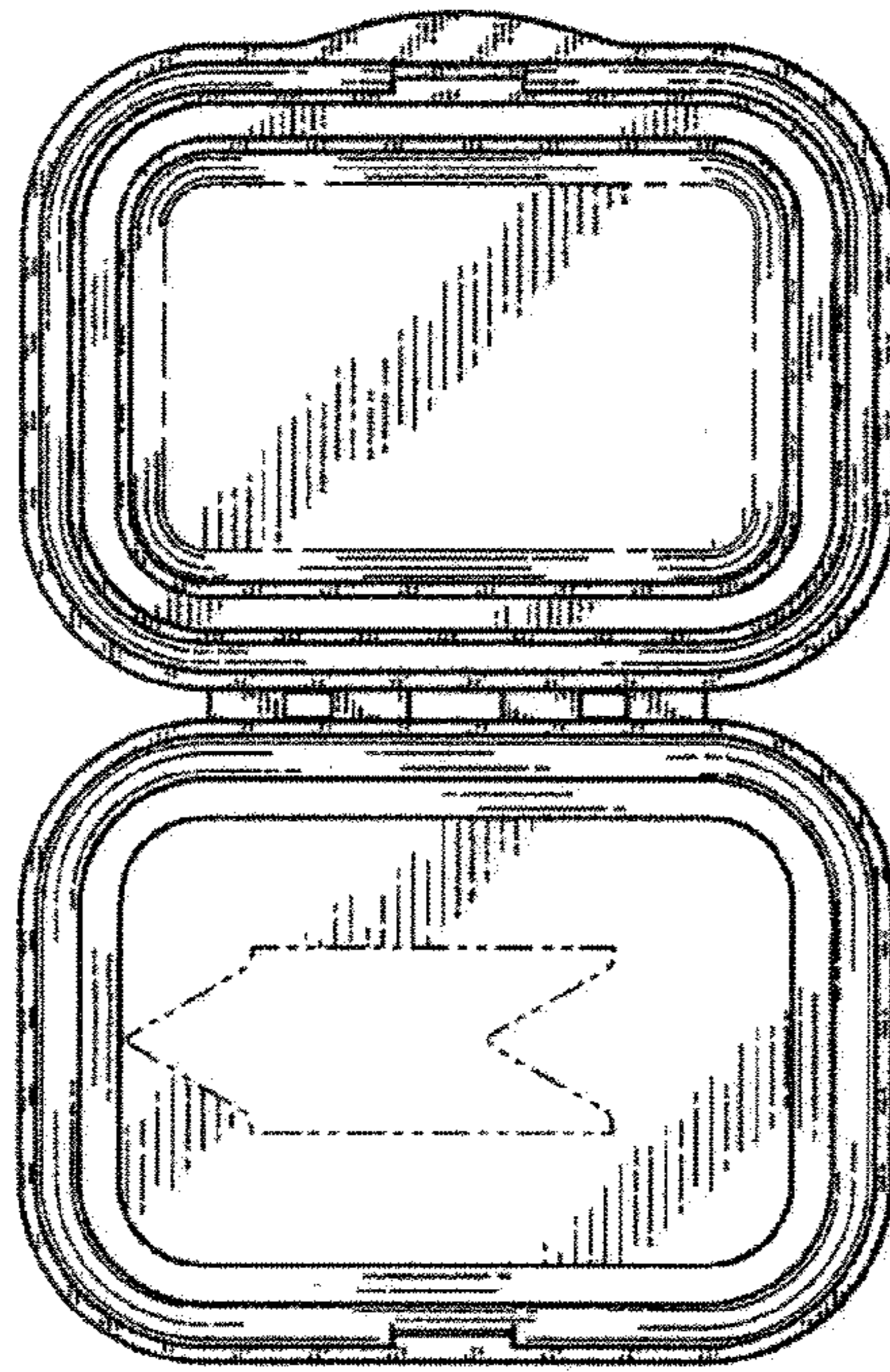


FIG. 13

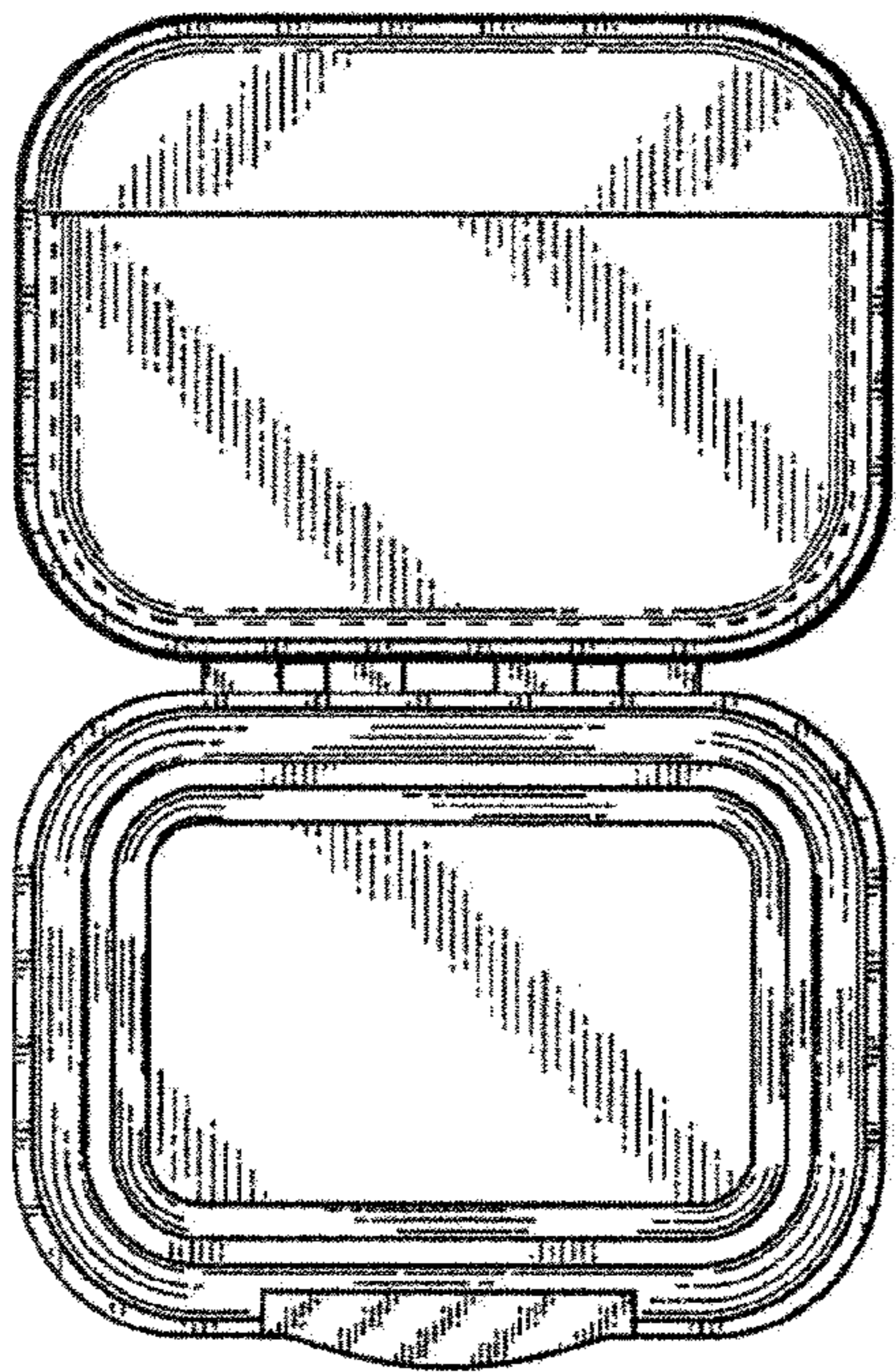


FIG. 14