



US00D608191S

(12) **United States Design Patent**
Radle et al.

(10) **Patent No.:** **US D608,191 S**
(45) **Date of Patent:** **** Jan. 19, 2010**

(54) **CLASP**

(75) Inventors: **Patrick J. Radle**, Mequon, WI (US);
David J. Prince, Eau Claire, WI (US);
Christopher L. Peterson, Chippewa Falls, WI (US); **Joseph M. Hillary**, Eden Prairie, MN (US)

(73) Assignee: **Actuant Corporation**, Butler, WI (US)

(**) Term: **14 Years**

(21) Appl. No.: **29/332,230**

(22) Filed: **Feb. 11, 2009**

(51) **LOC (9) Cl.** **08-08**

(52) **U.S. Cl.** **D8/396**

(58) **Field of Classification Search** D8/356,
D8/383, 394–396, 307; 24/16 PB, 17 AP,
24/30.5 P, 30.5 S, 300–302, 339, DIG. 16;
248/58, 60, 74.3; 294/166

See application file for complete search history.

(56) **References Cited**

U.S. PATENT DOCUMENTS

1,401,854	A *	12/1921	Almedia	383/13
D377,444	S *	1/1997	Lin	D8/107
5,729,872	A *	3/1998	Ginocchio	24/16 R
6,101,684	A *	8/2000	Ginocchio	24/16 R
6,151,998	A *	11/2000	Fu-Hui	81/177.4

D448,633	S *	10/2001	Langlois	D8/14
D454,045	S *	3/2002	Rinner et al.	D8/107
6,742,223	B1 *	6/2004	Chang	24/16 R
D521,366	S *	5/2006	Polak et al.	D8/383
D557,584	S *	12/2007	Gao	D8/107
D580,748	S *	11/2008	Polak et al.	D8/394

* cited by examiner

Primary Examiner—T. Chase Nelson
Assistant Examiner—John Windmuller

(74) *Attorney, Agent, or Firm*—Quarles & Brady LLP

(57) **CLAIM**

The ornamental design for a clasp, as shown and described.

DESCRIPTION

FIG. 1 is a perspective view of a clasp showing our new design;

FIG. 2 is a front side elevational view thereof;

FIG. 3 is a rear side elevational view thereof;

FIG. 4 is a left side elevational view thereof;

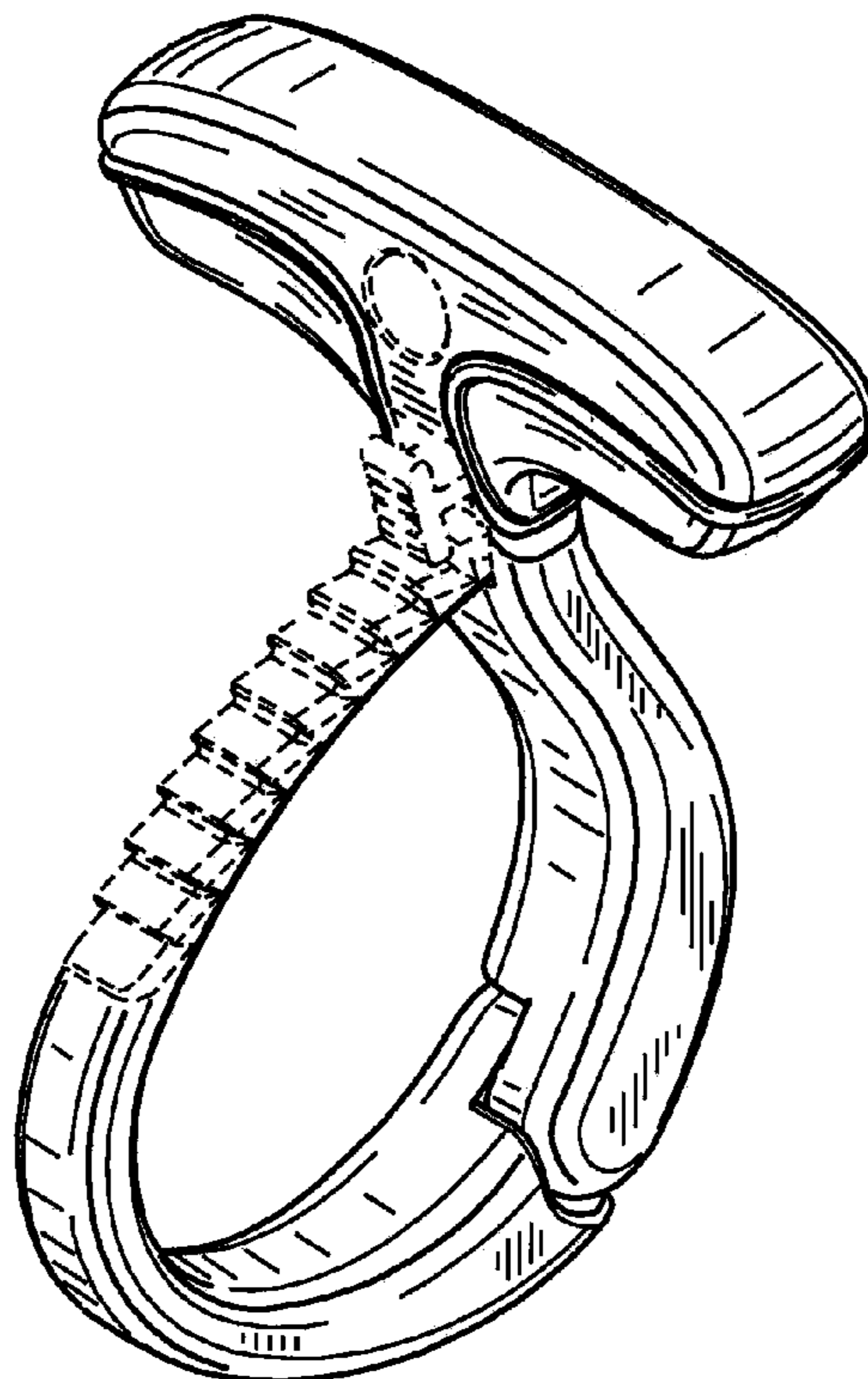
FIG. 5 is a right side elevational view thereof;

FIG. 6 is a top elevational view thereof; and,

FIG. 7 is a bottom elevational view thereof.

The broken lines in the figures depict portions of the clasp that form no part of the claimed design.

1 Claim, 4 Drawing Sheets



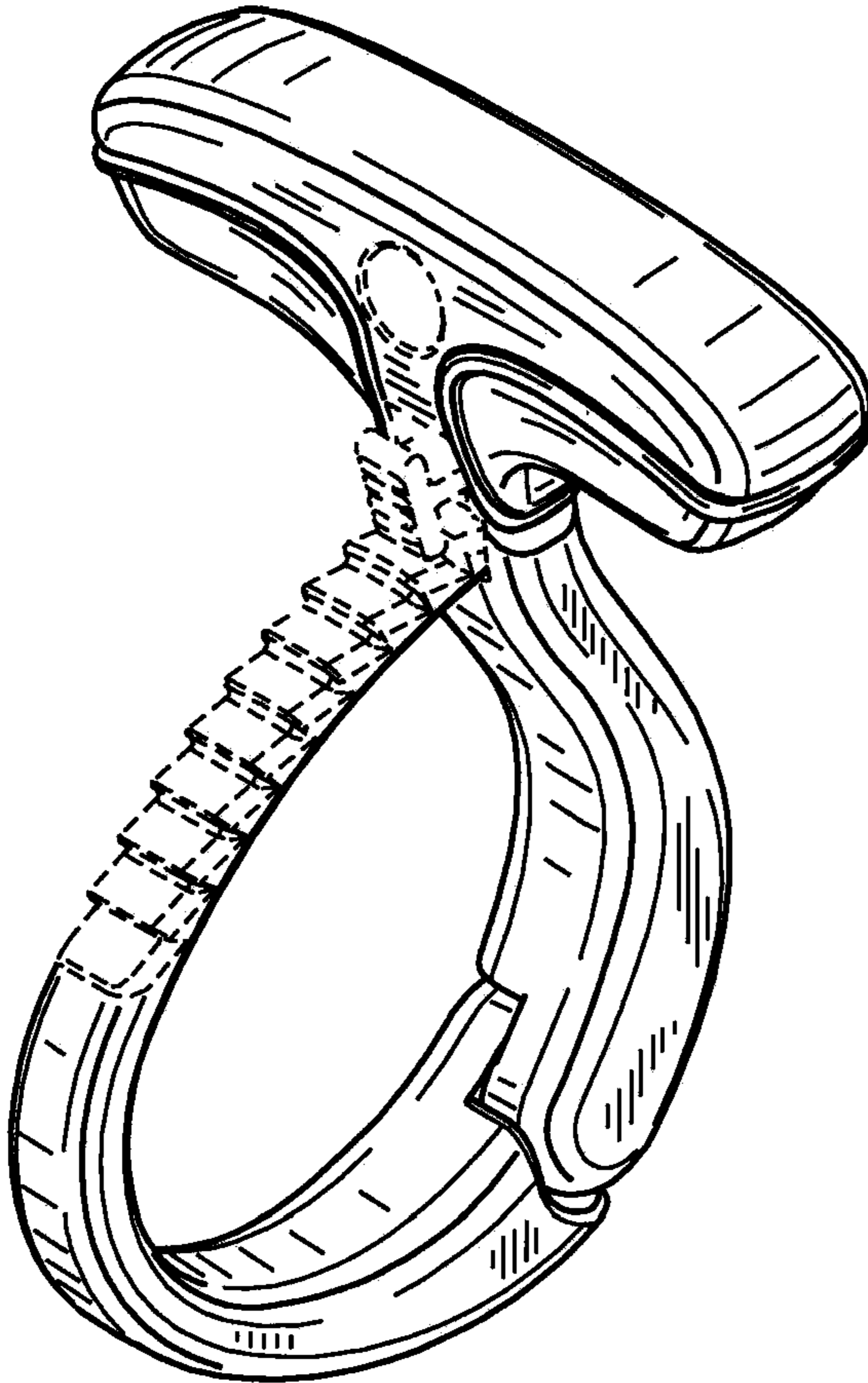


FIG. 1

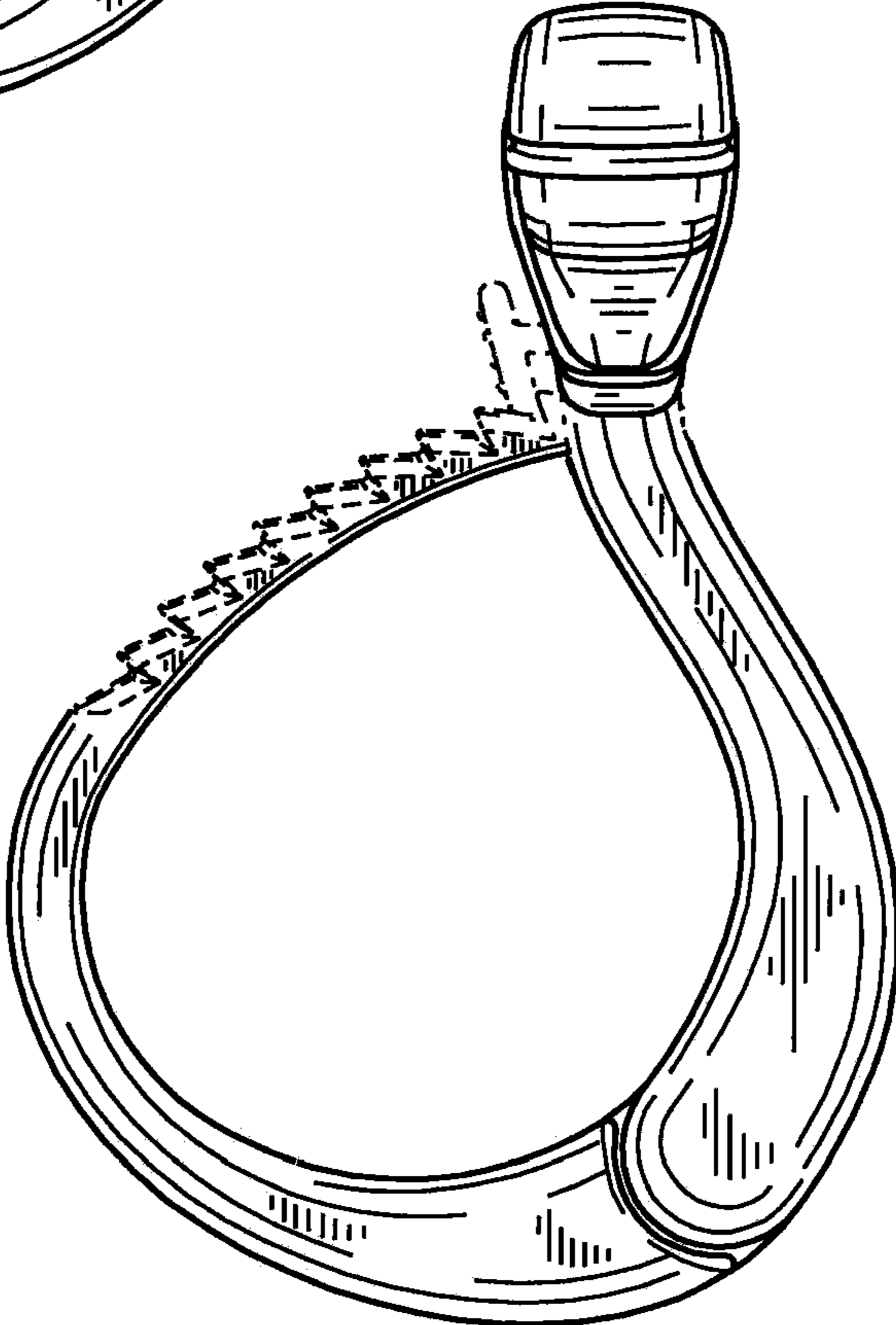


FIG. 2

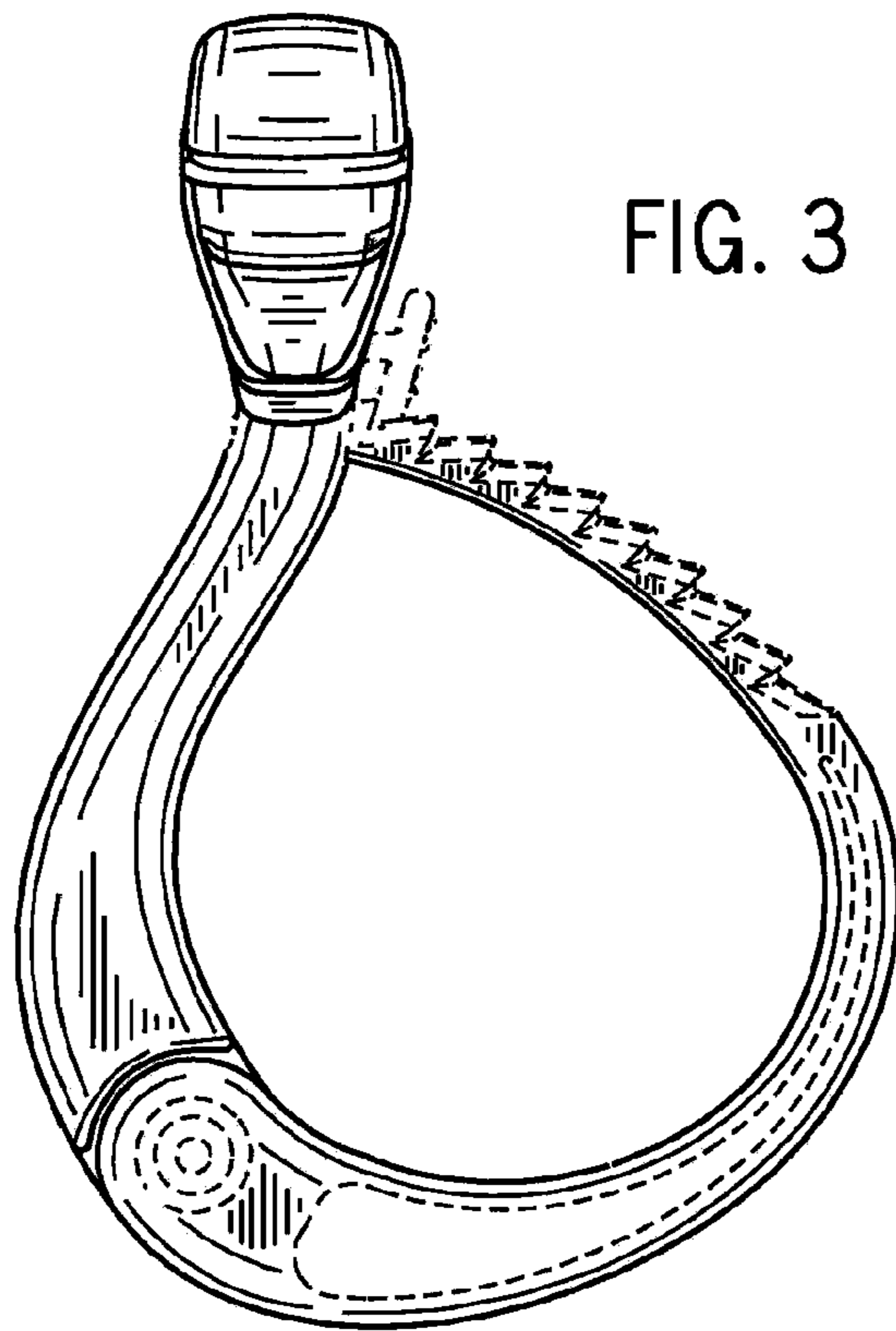


FIG. 3

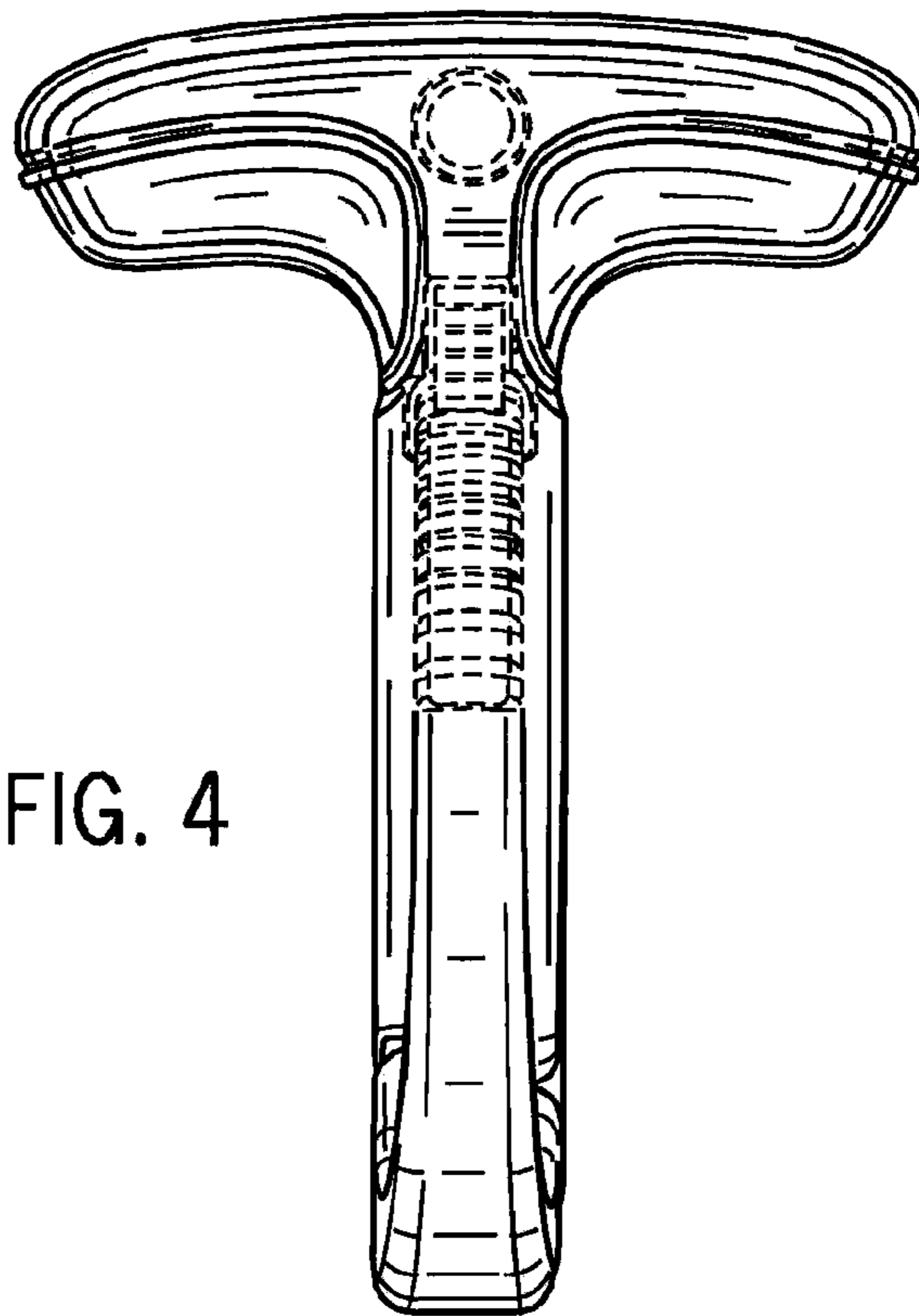


FIG. 4

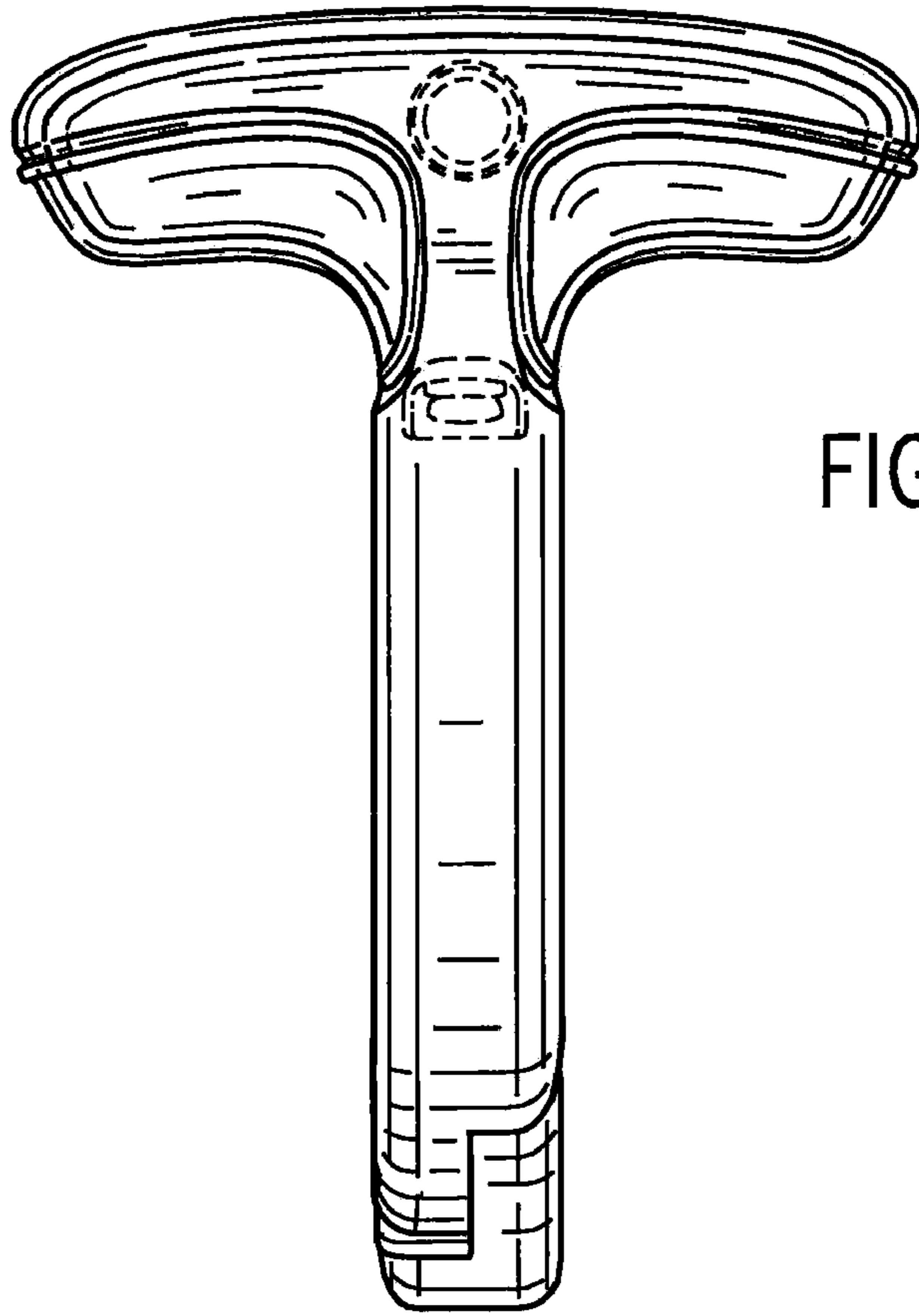


FIG. 5

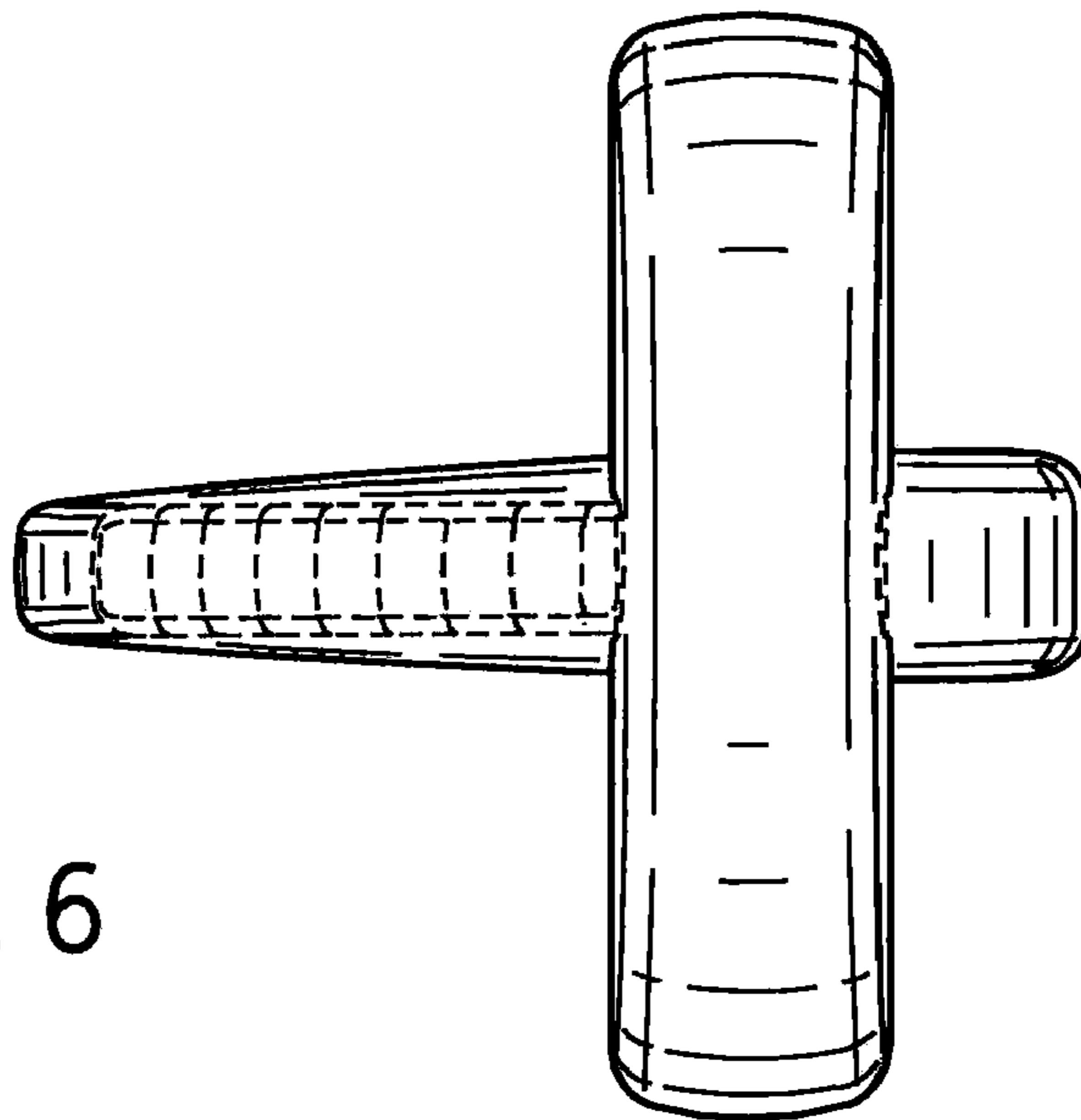


FIG. 6

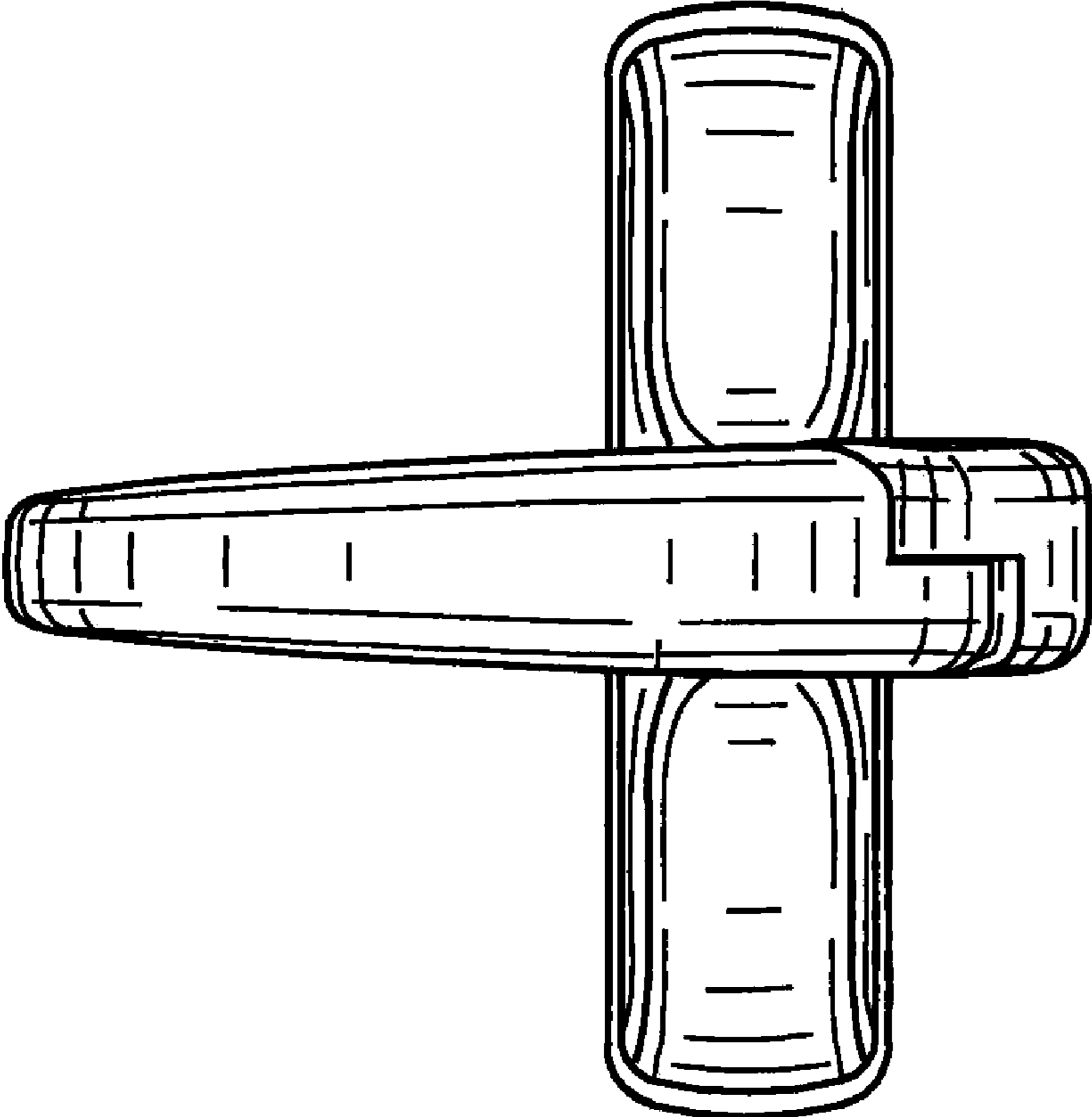


FIG. 7