

US00D608190S

(12) **United States Design Patent**
Jimenez

(10) **Patent No.:** **US D608,190 S**
(45) **Date of Patent:** **** Jan. 19, 2010**

(54) **MOUNTING CLIP**

(75) Inventor: **Jorge Jimenez**, Downers Grove, IL (US)

(73) Assignee: **Control Solutions LLC**, Aurora, IL (US)

(**) Term: **14 Years**

(21) Appl. No.: **29/335,225**

(22) Filed: **Apr. 10, 2009**

Related U.S. Application Data

(63) Continuation-in-part of application No. 12/197,058, filed on Aug. 22, 2008, and a continuation-in-part of application No. 12/197,126, filed on Aug. 22, 2008.

(51) **LOC (9) Cl.** **08-08**

(52) **U.S. Cl.** **D8/395; D8/396**

(58) **Field of Classification Search** D8/356, D8/371, 394-396; 24/570, 546, 563, 571; 248/74.2, 215, 227.1, 49, 300, 301, 316.7, 248/51, 489; D19/65, 56; 296/146.4
See application file for complete search history.

(56) **References Cited**

U.S. PATENT DOCUMENTS

1,313,191 A	8/1919	Karitzky	
1,419,932 A *	6/1922	Karitzky	248/69
1,496,388 A *	6/1924	Stern	248/231.81
1,808,328 A	6/1931	Thomson	
2,588,251 A *	3/1952	Kost	411/529
2,641,808 A *	6/1953	Tinnerman	24/18
3,154,275 A	10/1964	Stewart	
3,454,249 A	7/1969	Geisinger	
3,581,349 A	6/1971	Verspieren	
3,632,070 A	1/1972	Thayer	
3,913,876 A	10/1975	McSherry	
3,971,105 A	7/1976	Caveney	
4,033,079 A *	7/1977	Cross, Jr.	52/99

D250,876 S	1/1979	Lindblom	
4,397,435 A	8/1983	Fisher et al.	
D290,931 S *	7/1987	Powell	D8/373
4,766,651 A	8/1988	Kobayashi et al.	

(Continued)

Primary Examiner—T. Chase Nelson
Assistant Examiner—John Windmuller
(74) *Attorney, Agent, or Firm*—Wildman, Harrold, Allen & Dixon LLP

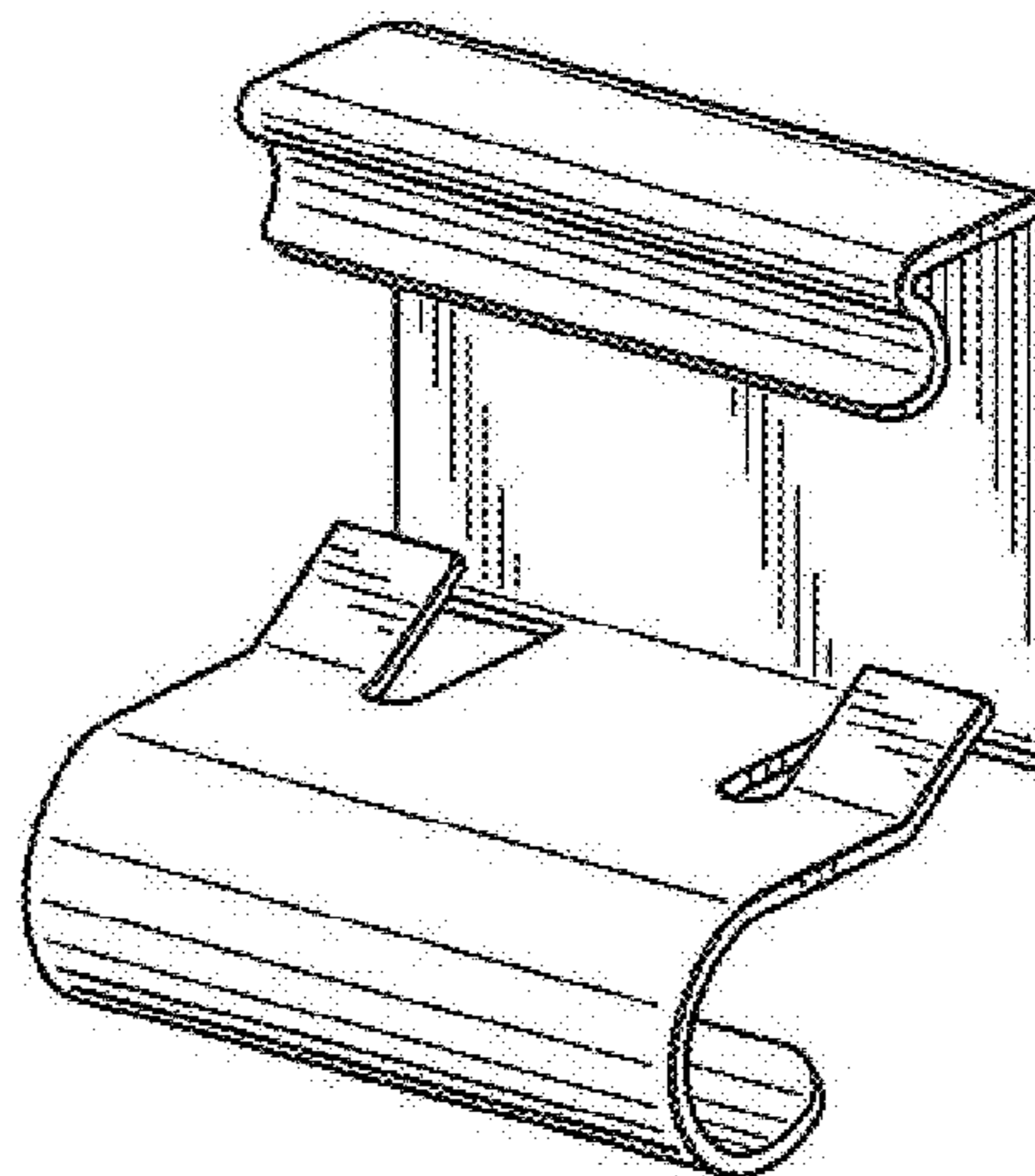
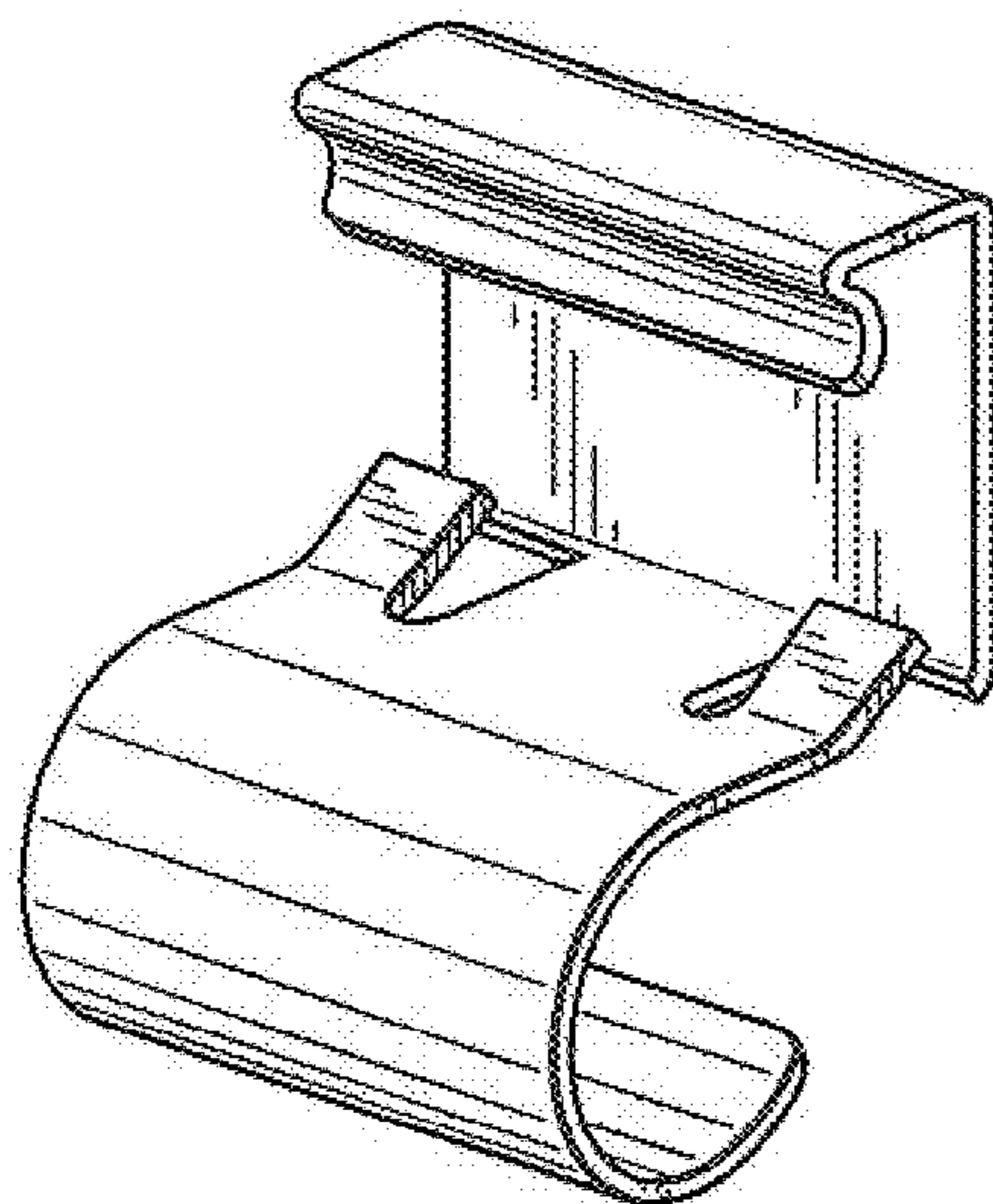
(57) **CLAIM**

The ornamental design for a mounting clip, as shown and described.

DESCRIPTION

FIG. 1 is a perspective front view of a mounting clip;
FIG. 2 is a perspective back view thereof;
FIG. 3 is a top view thereof;
FIG. 4 is an elevated back view thereof;
FIG. 5 is an elevated side view thereof;
FIG. 6 is an elevated front view thereof;
FIG. 7 is a bottom view thereof;
FIG. 8 of another embodiment is a perspective front view thereof;
FIG. 9 is a perspective front view thereof;
FIG. 10 is a top view thereof;
FIG. 11 is an elevated front view thereof;
FIG. 12 is an elevated side view thereof;
FIG. 13 is an elevated back view thereof; and,
FIG. 14 is a bottom view thereof.
A left side elevational view is provided of which the right side elevational view is identical.

1 Claim, 2 Drawing Sheets



US D608,190 S

Page 2

U.S. PATENT DOCUMENTS

4,805,856	A	2/1989	Nicoli et al.				
D305,977	S	2/1990	Ono				
D312,706	S	* 12/1990	Janesko	D26/138			
4,991,801	A	* 2/1991	Trumbull	248/74.2			
D331,358	S	* 12/1992	Sachs	D8/356			
5,330,140	A	7/1994	Cseri				
5,332,179	A	7/1994	Kuffel et al.				
D352,647	S	* 11/1994	Stevens	D8/72			
5,362,018	A	11/1994	Darr et al.				
5,639,049	A	* 6/1997	Jennings et al.	248/74.2			
D389,035	S	* 1/1998	Smiley et al.	D8/363			
5,725,185	A	3/1998	Auclair				
5,910,351	A	* 6/1999	Davis et al.	428/100			
6,079,674	A	6/2000	Snyder				
6,129,317	A	10/2000	Rodrigues et al.				
6,149,109	A	11/2000	Stankowski				
D491,442	S	* 6/2004	Cordero et al.	D8/354			
7,083,152	B2	8/2006	Carullo et al.				
7,150,437	B1	12/2006	Teeters				
D539,638	S	* 4/2007	Franks, Jr.	D8/395			
7,221,832	B2	5/2007	Tinuucci				
7,306,755	B2	12/2007	Morello				
7,440,669	B2	10/2008	Tinuucci				
2008/0098571	A1	5/2008	Morris				

* cited by examiner

Fig. 1

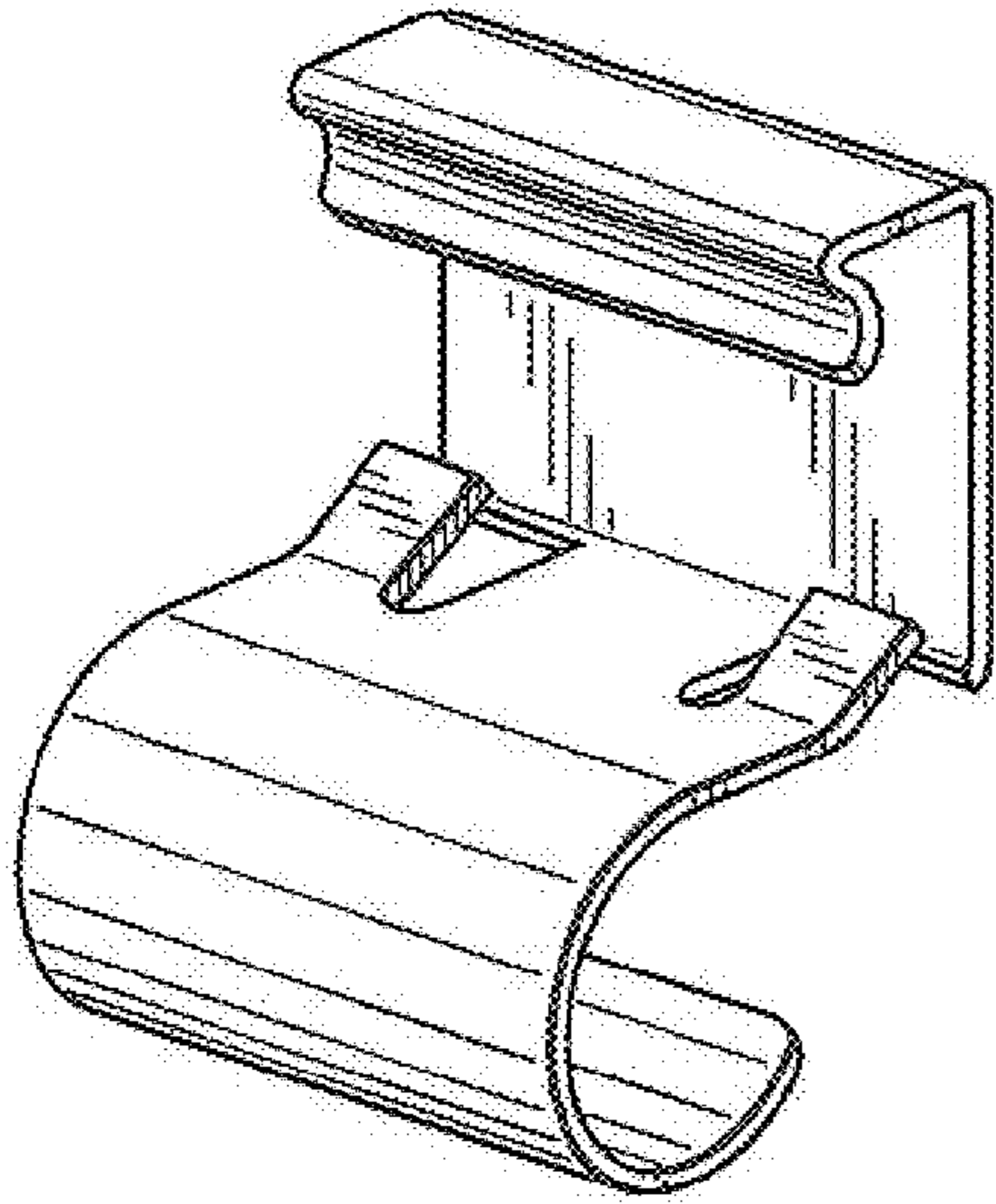


Fig. 2

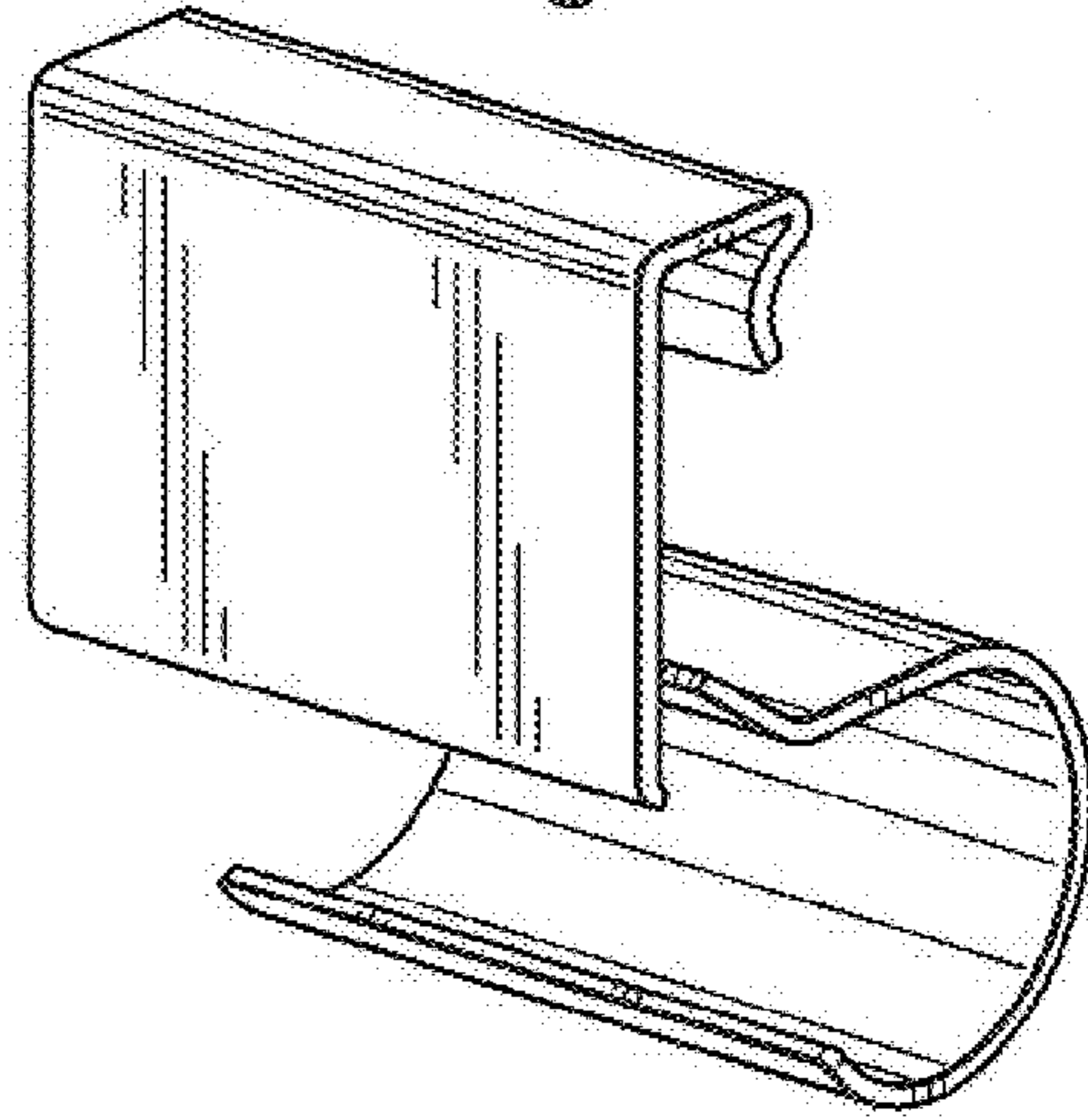


Fig. 3

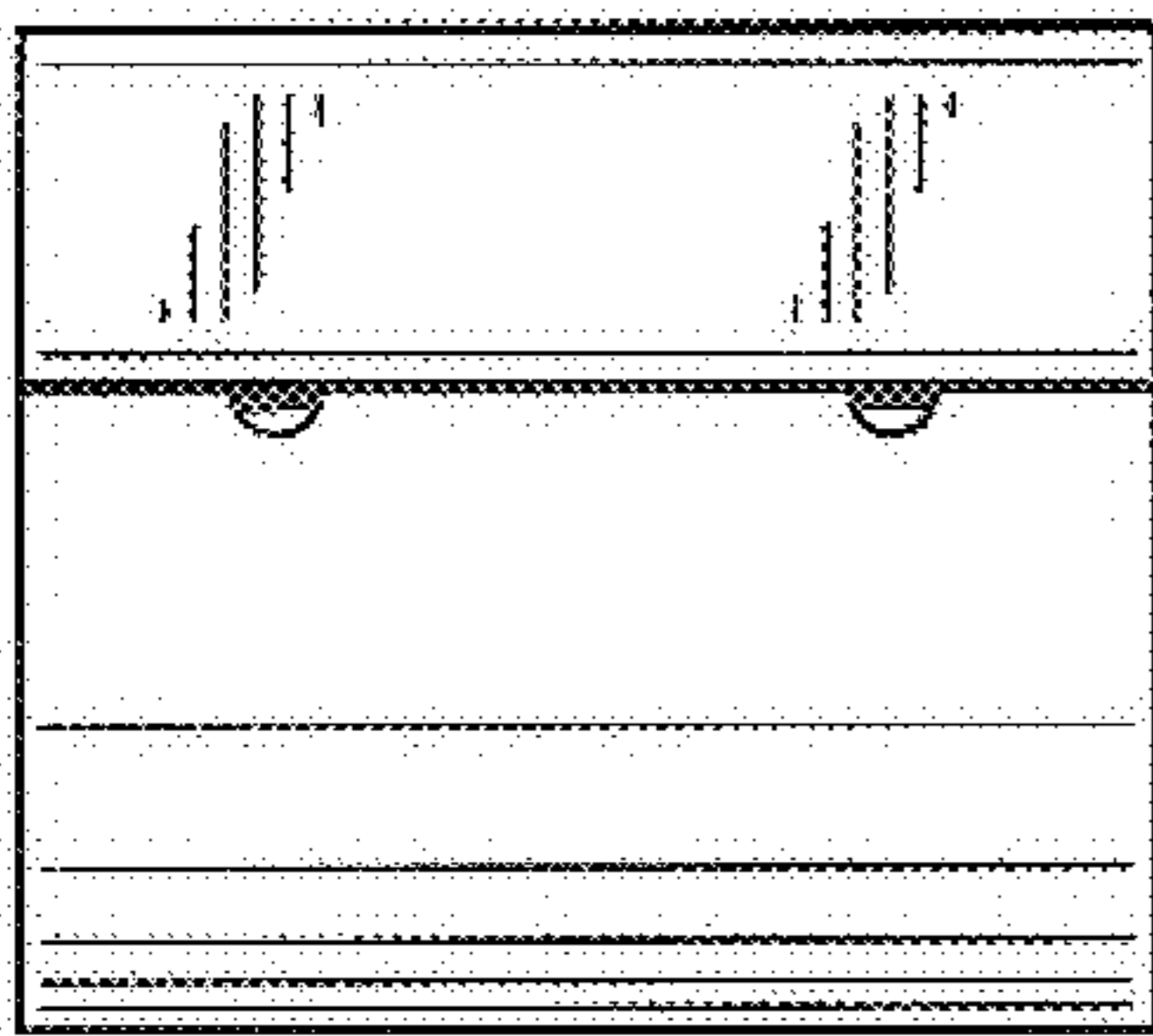


Fig. 4

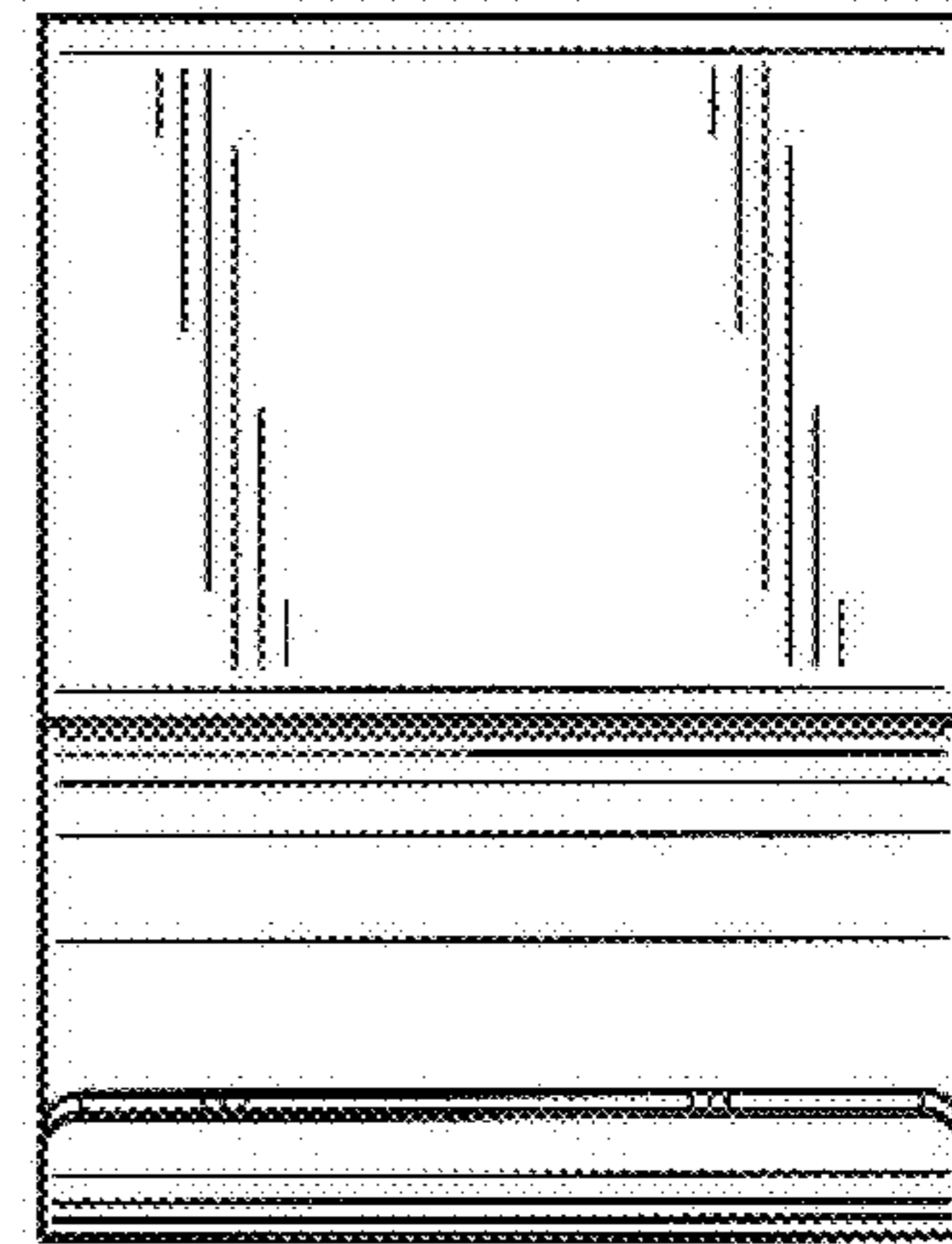


Fig. 6

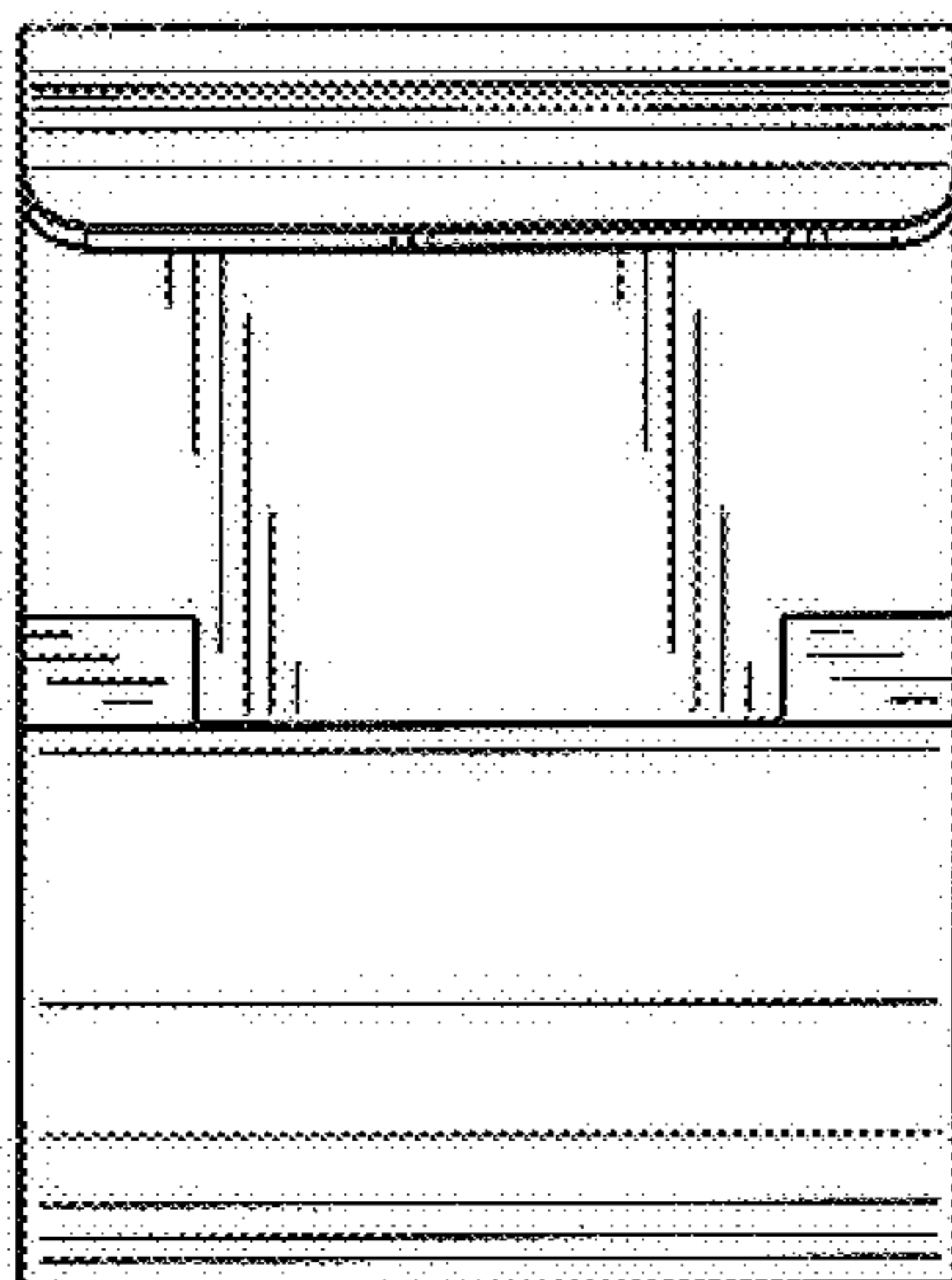


Fig. 5

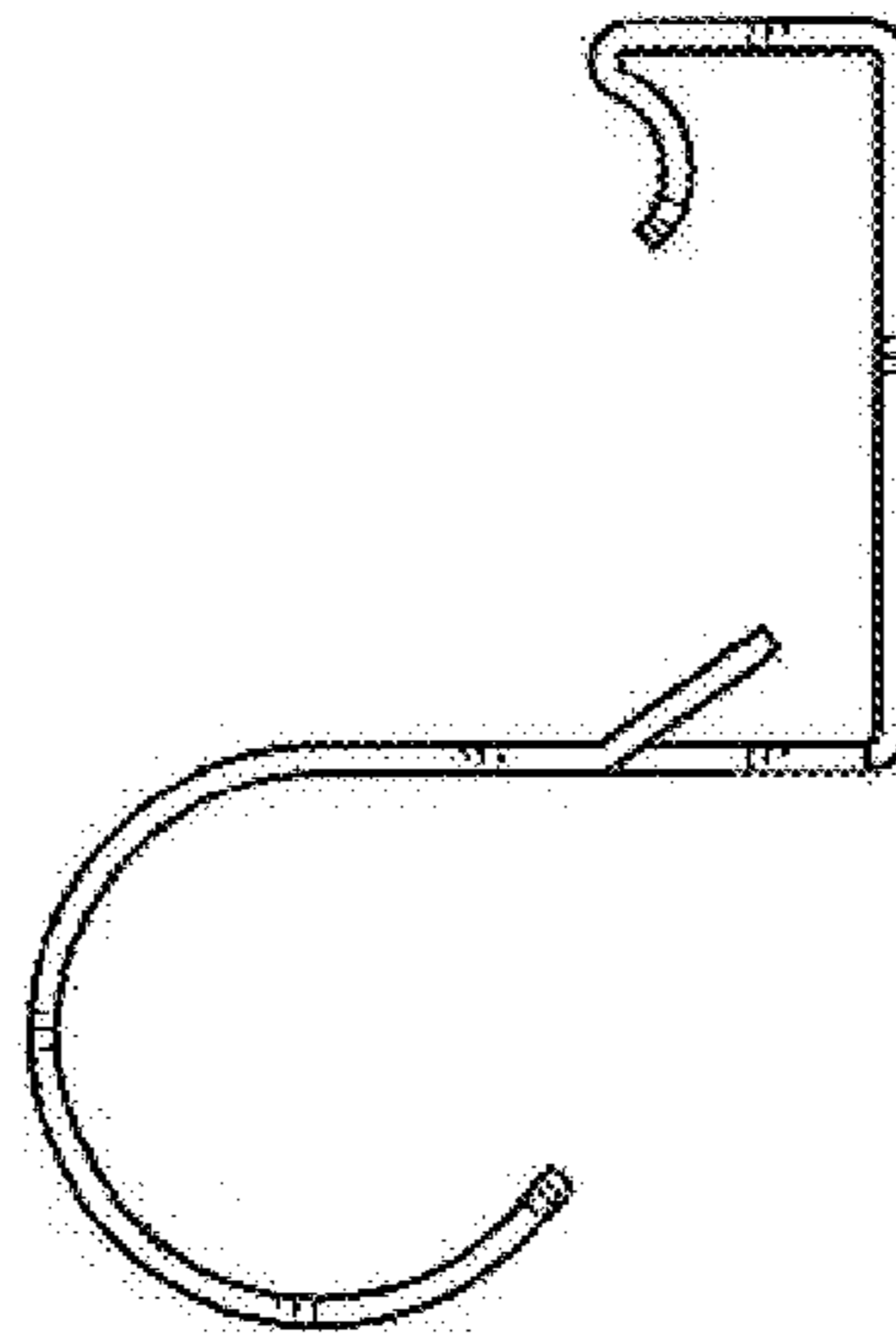


Fig. 7

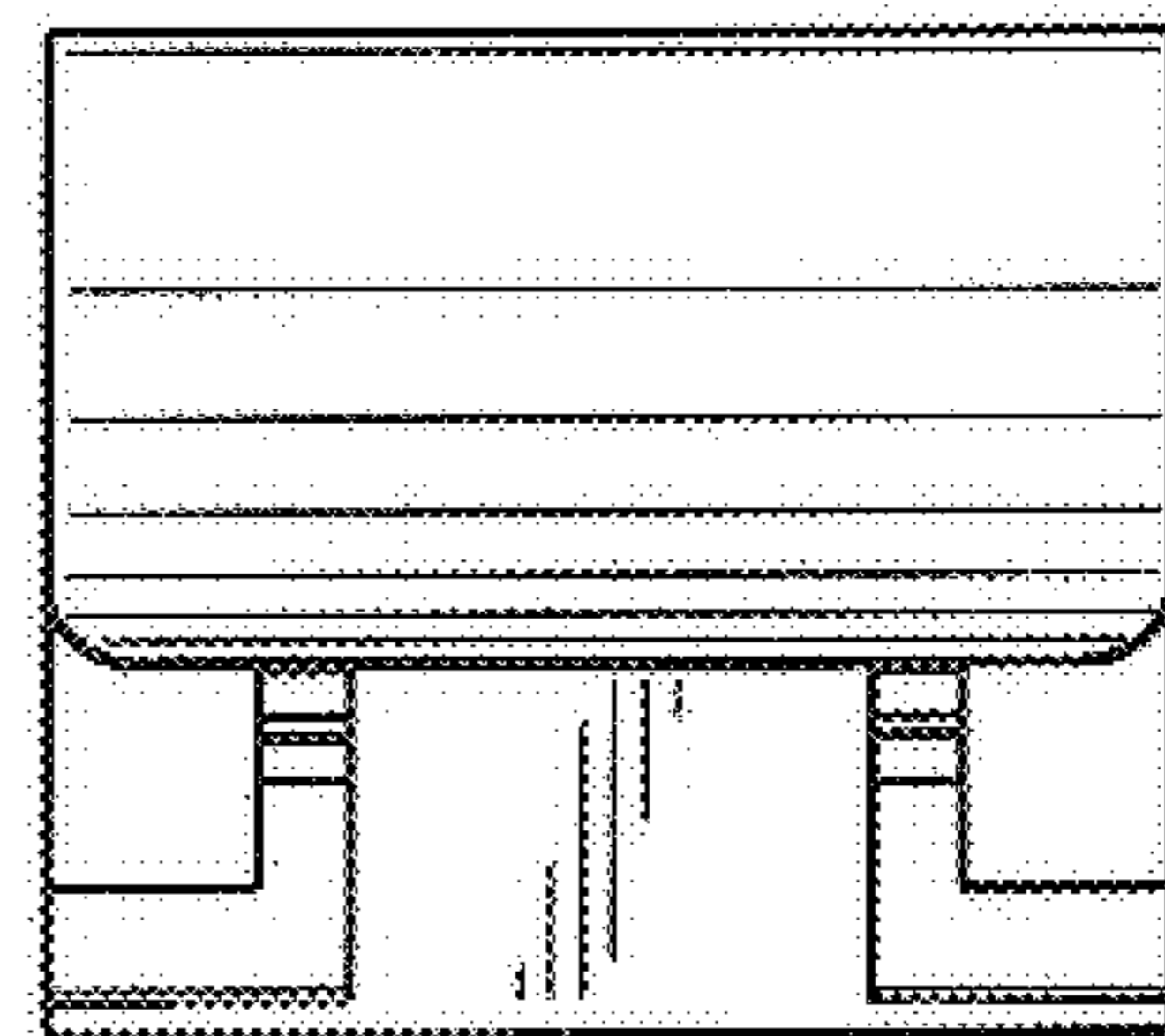


Fig. 8

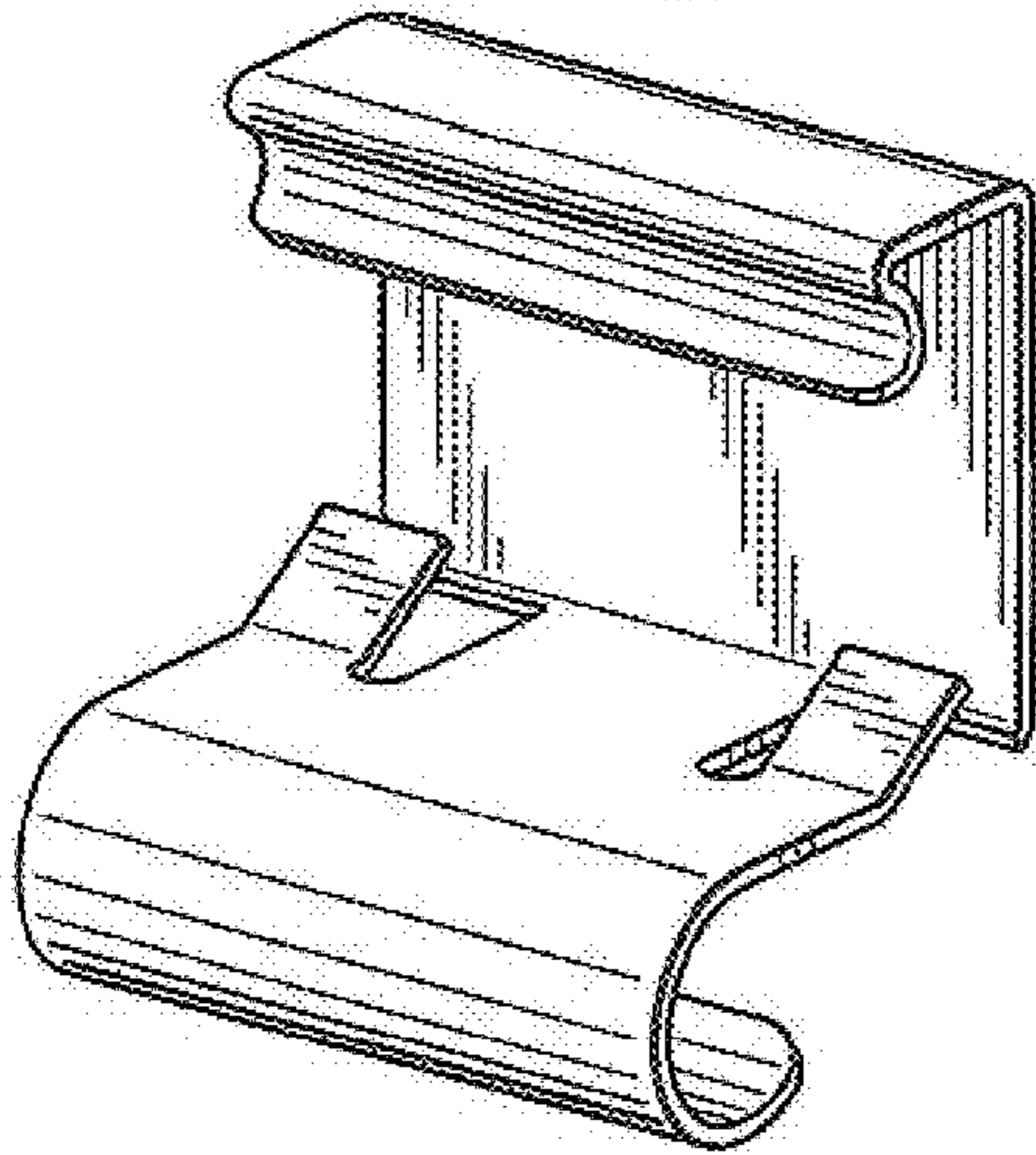


Fig. 9

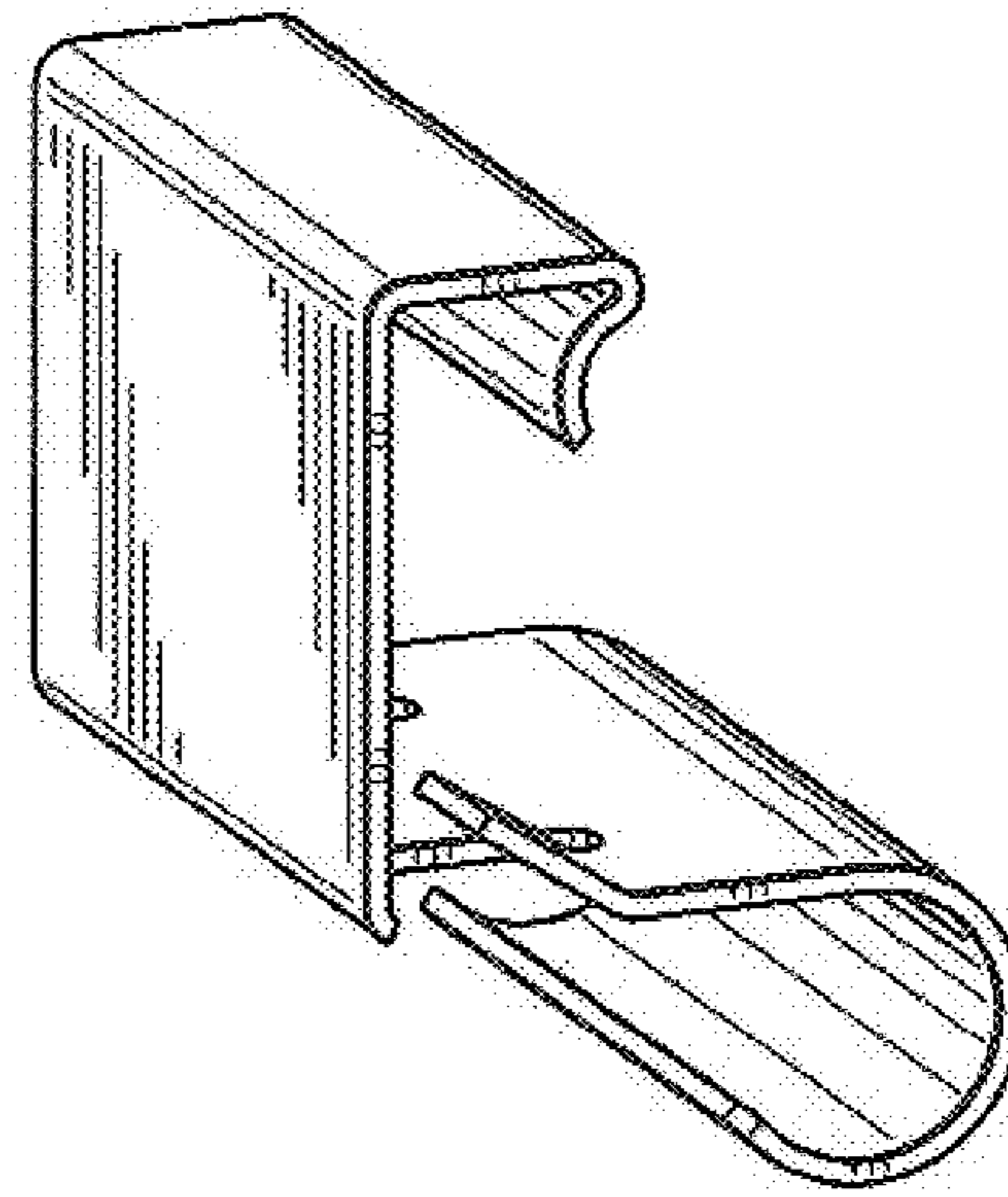


Fig. 10

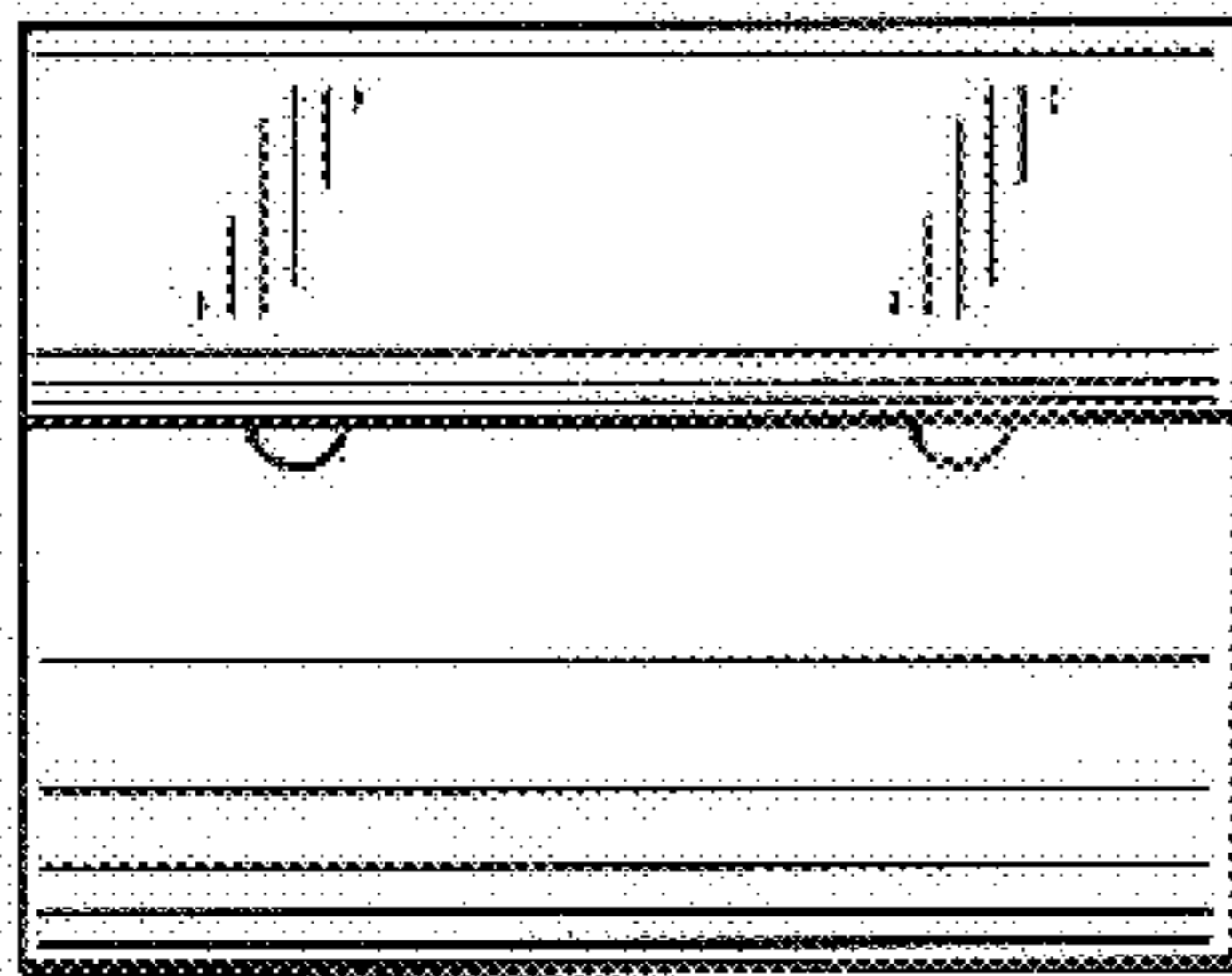


Fig. 13

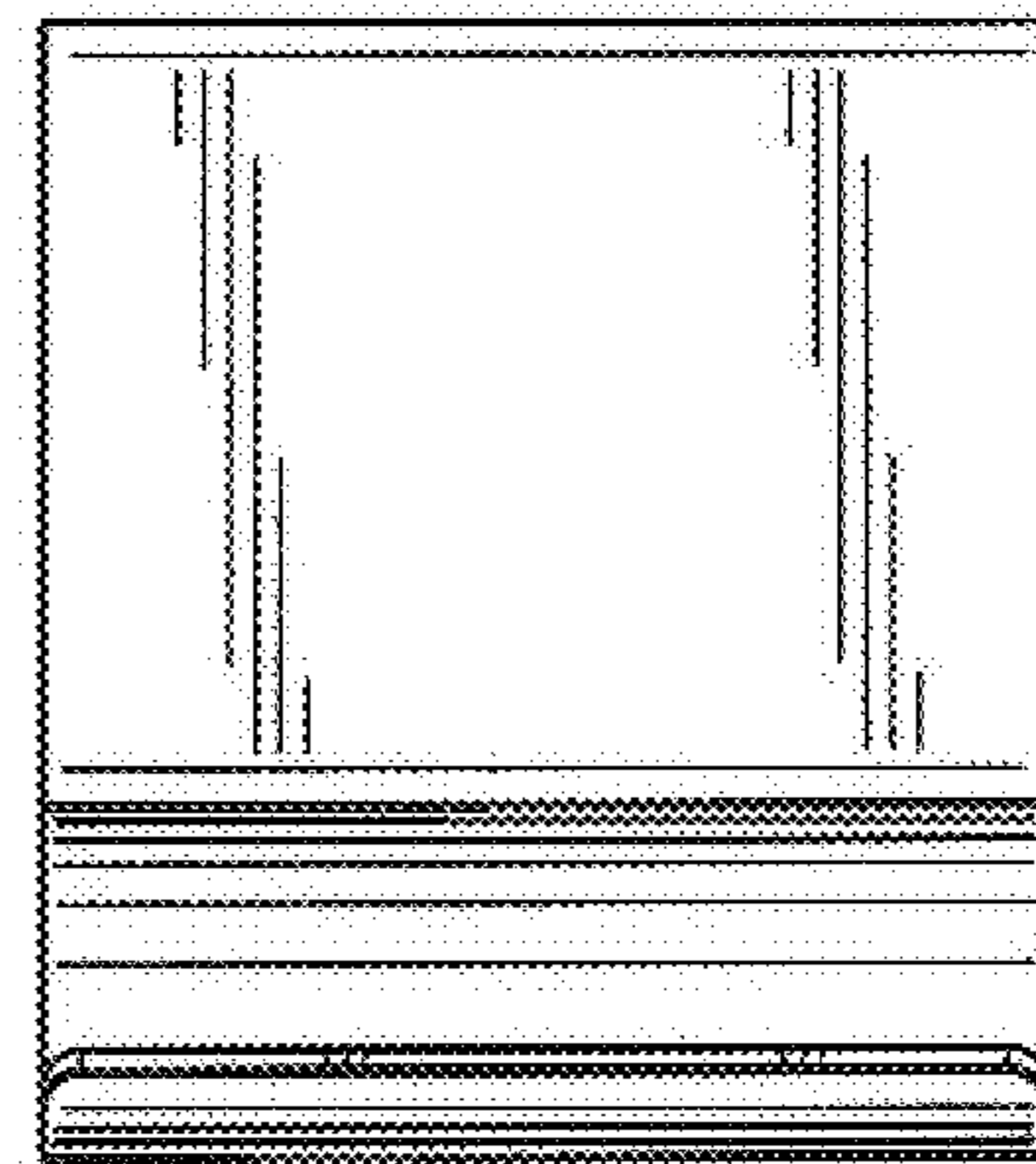


Fig. 11

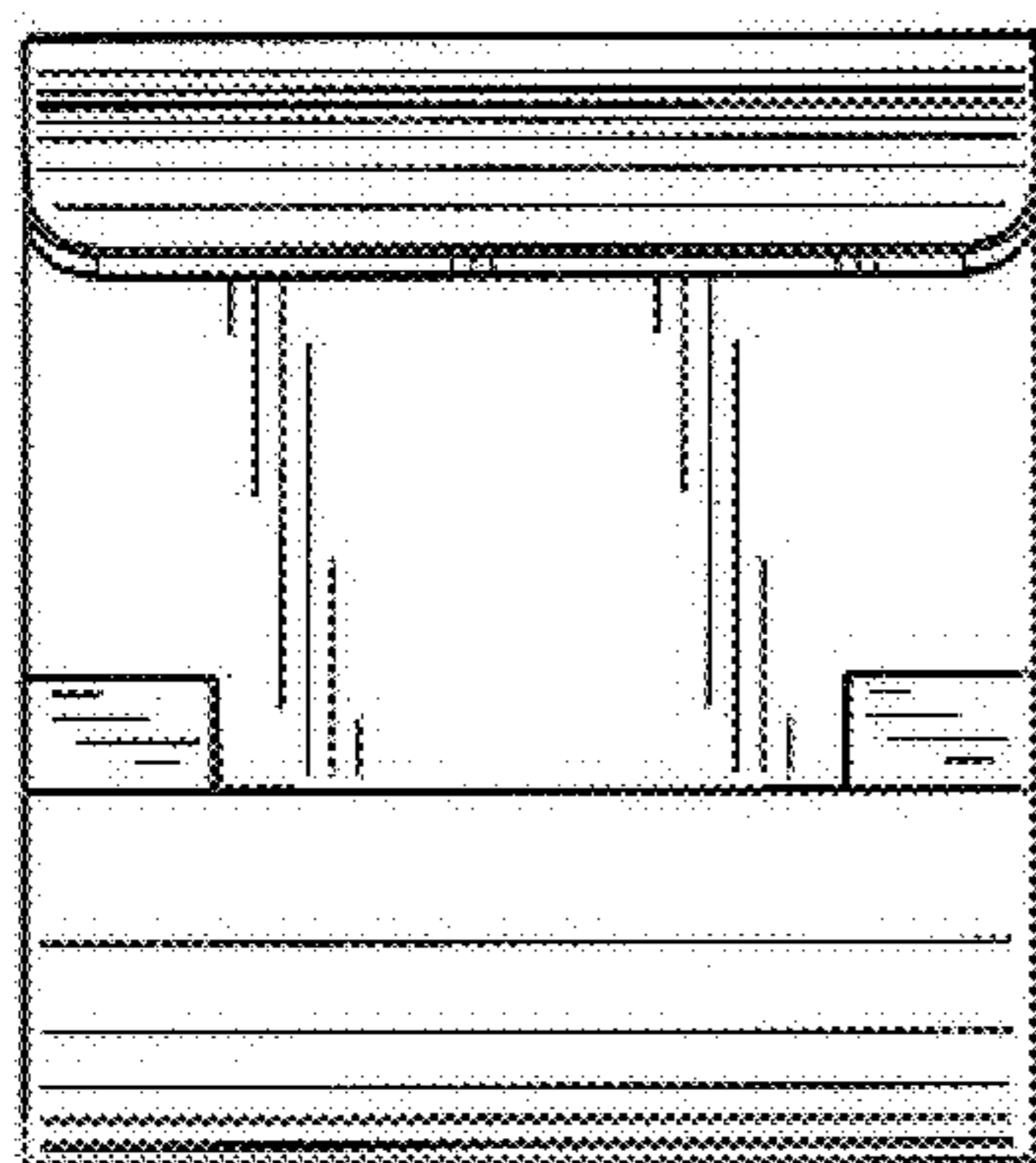


Fig. 12

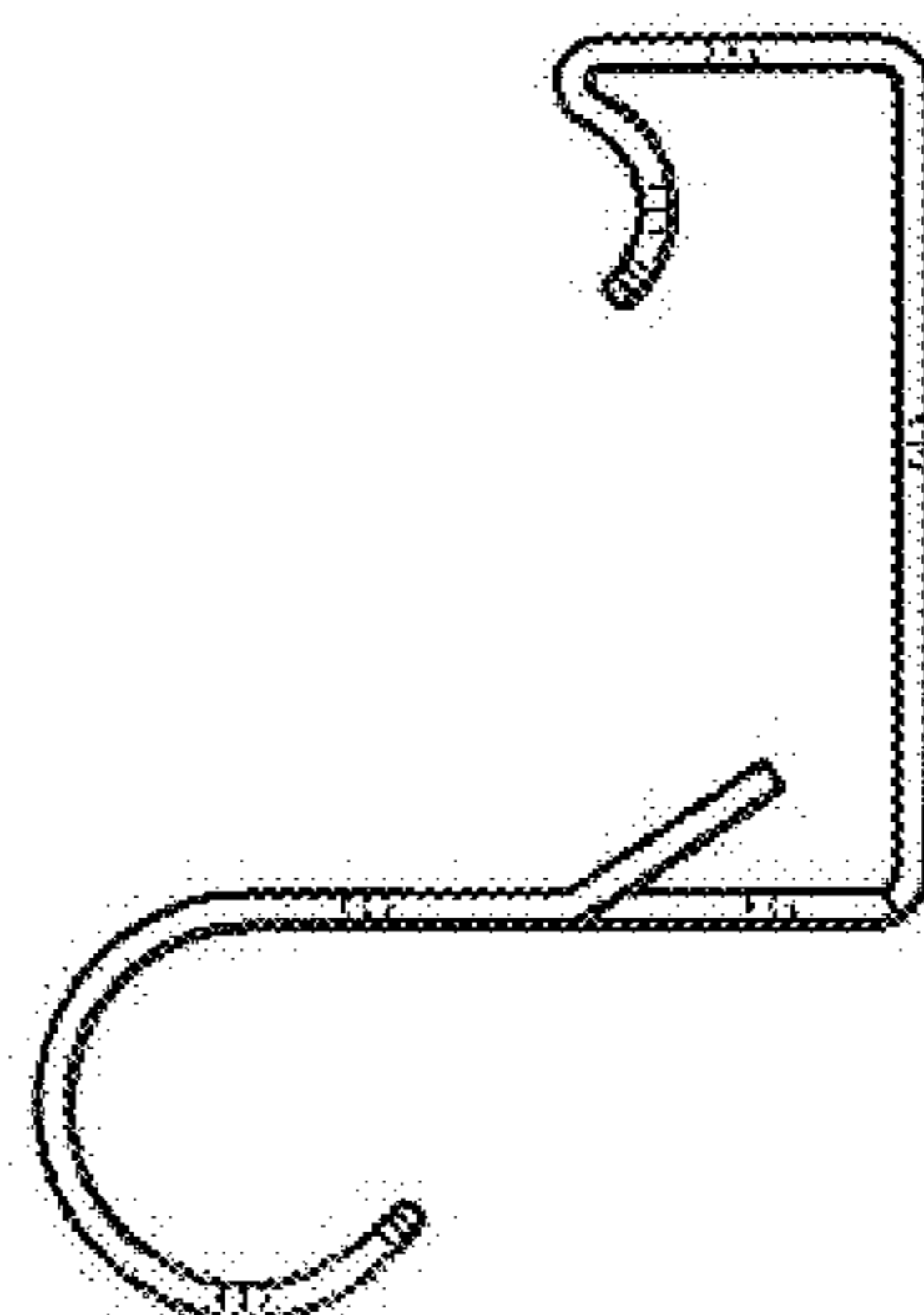


Fig. 14

