

US00D608188S

(12) **United States Design Patent**
Berkowitz

(10) **Patent No.:** **US D608,188 S**
(45) **Date of Patent:** **** Jan. 19, 2010**

(54) **HOOK**

(75) Inventor: **Adam Berkowitz**, Toronto (CA)

(73) Assignee: **Trimtag Trading Inc.**, Richmond Hill (CA)

(**) Term: **14 Years**

(21) Appl. No.: **29/335,003**

(22) Filed: **Apr. 7, 2009**

(51) **LOC (9) Cl.** **08-05**

(52) **U.S. Cl.** **D8/367**

(58) **Field of Classification Search** D8/367,
D8/371, 373; D30/138; 2/338; 24/129 A,
24/129 R, 323, 598.1, 599.4, 601.7, 618,
24/689, 691, 695; 52/582.2; 40/1.6; 220/326;
224/676; 402/80 R; 450/1; 294/82.1, 82.2;
248/301, 339, 340, 489, 493; D11/200, 218;
D9/719; D25/199; D6/323, 466
See application file for complete search history.

(56) **References Cited**

U.S. PATENT DOCUMENTS

D275,621 S *	9/1984	Kanzaka	D11/200
D275,716 S *	10/1984	Kanzaka	D11/218
D533,076 S *	12/2006	Awbrey et al.	D9/719
D558,365 S *	12/2007	Thompson	D25/199
D559,561 S *	1/2008	Jackson	D6/323
D567,638 S *	4/2008	Rieder	D8/371
D587,041 S *	2/2009	Winsor	D6/466

D598,276 S * 8/2009 Rhee D8/367

* cited by examiner

Primary Examiner—Robert M Spear

Assistant Examiner—Barbara B Lohr

(74) *Attorney, Agent, or Firm*—John R. S. Orange; Blake, Cassels & Graydon LLP

(57) **CLAIM**

The ornamental design of a hook, as shown and described.

DESCRIPTION

FIG. 1 is a front perspective view.

FIG. 2 is a front elevation.

FIG. 3 is a plan view.

FIG. 4 is a side view.

FIG. 5 is a bottom view.

FIG. 6 is an opposite side view.

FIG. 7 is a rear view.

FIG. 8 is a front perspective view of a variant.

FIG. 9 is a front elevation of a variant.

FIG. 10 is a plan view of a variant.

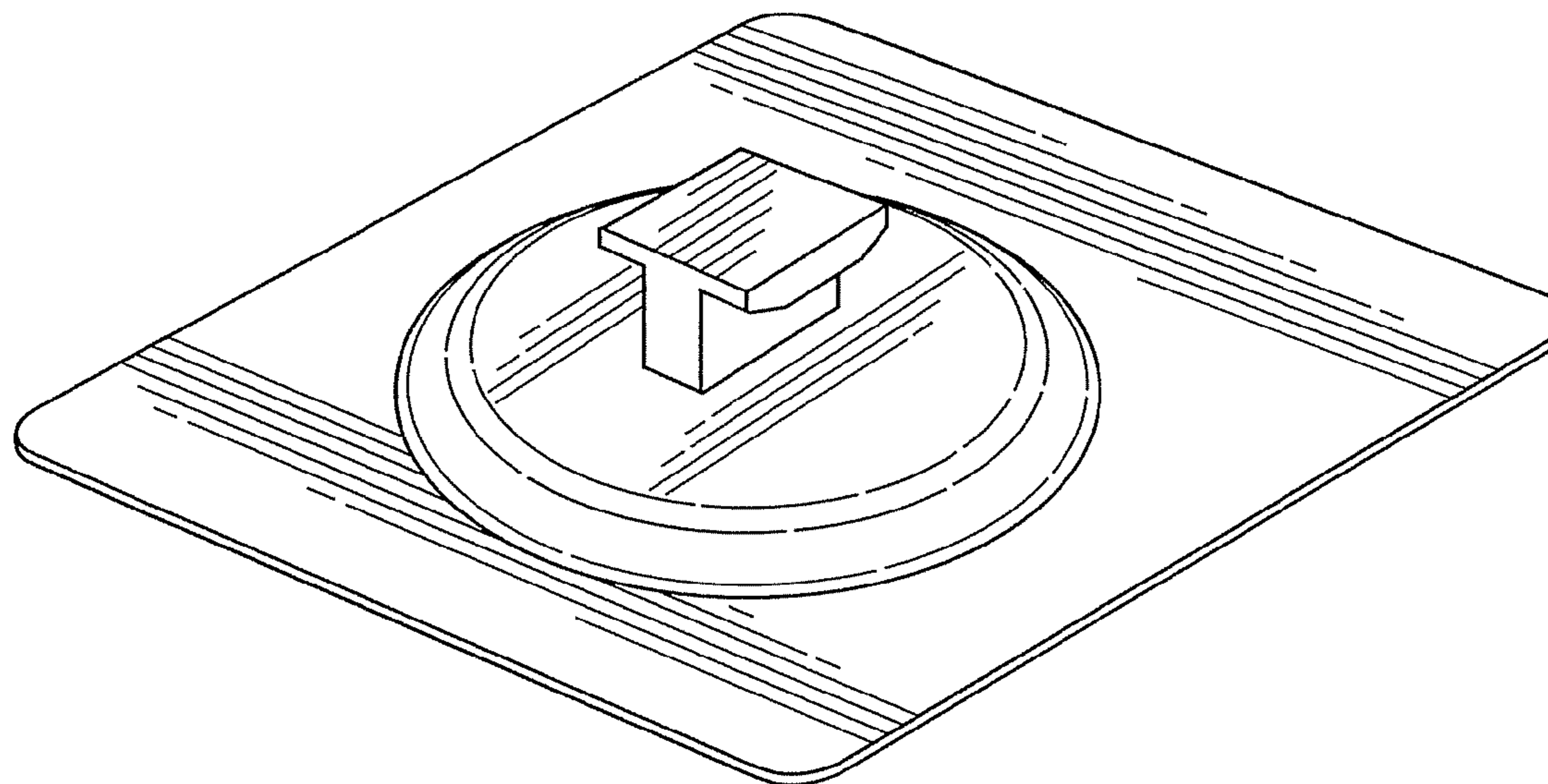
FIG. 11 is a side view of a variant.

FIG. 12 is a bottom view of a variant.

FIG. 13 is an opposite side view of a variant; and,

FIG. 14 is a rear view of a variant.

1 Claim, 6 Drawing Sheets



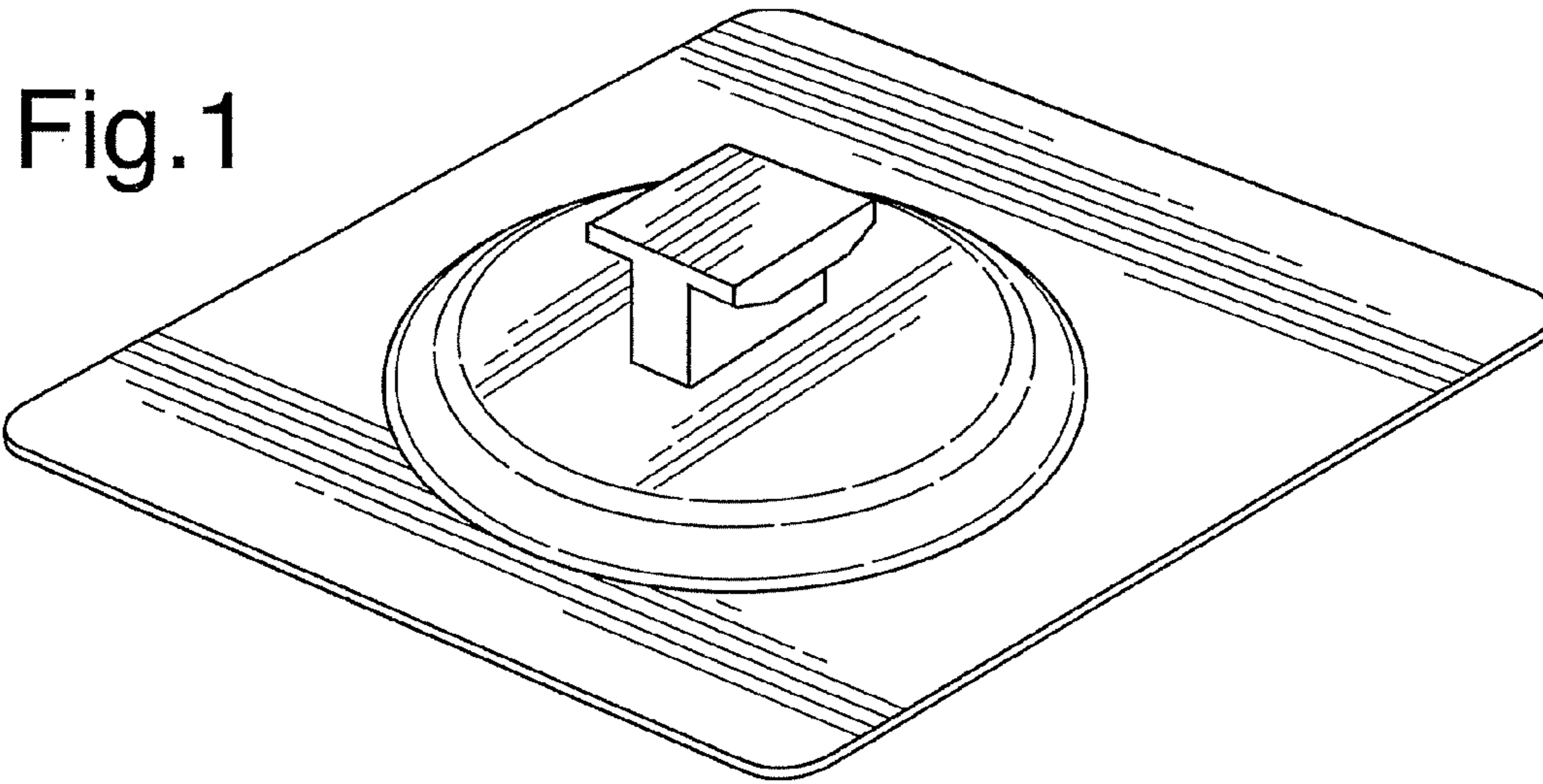


Fig. 2

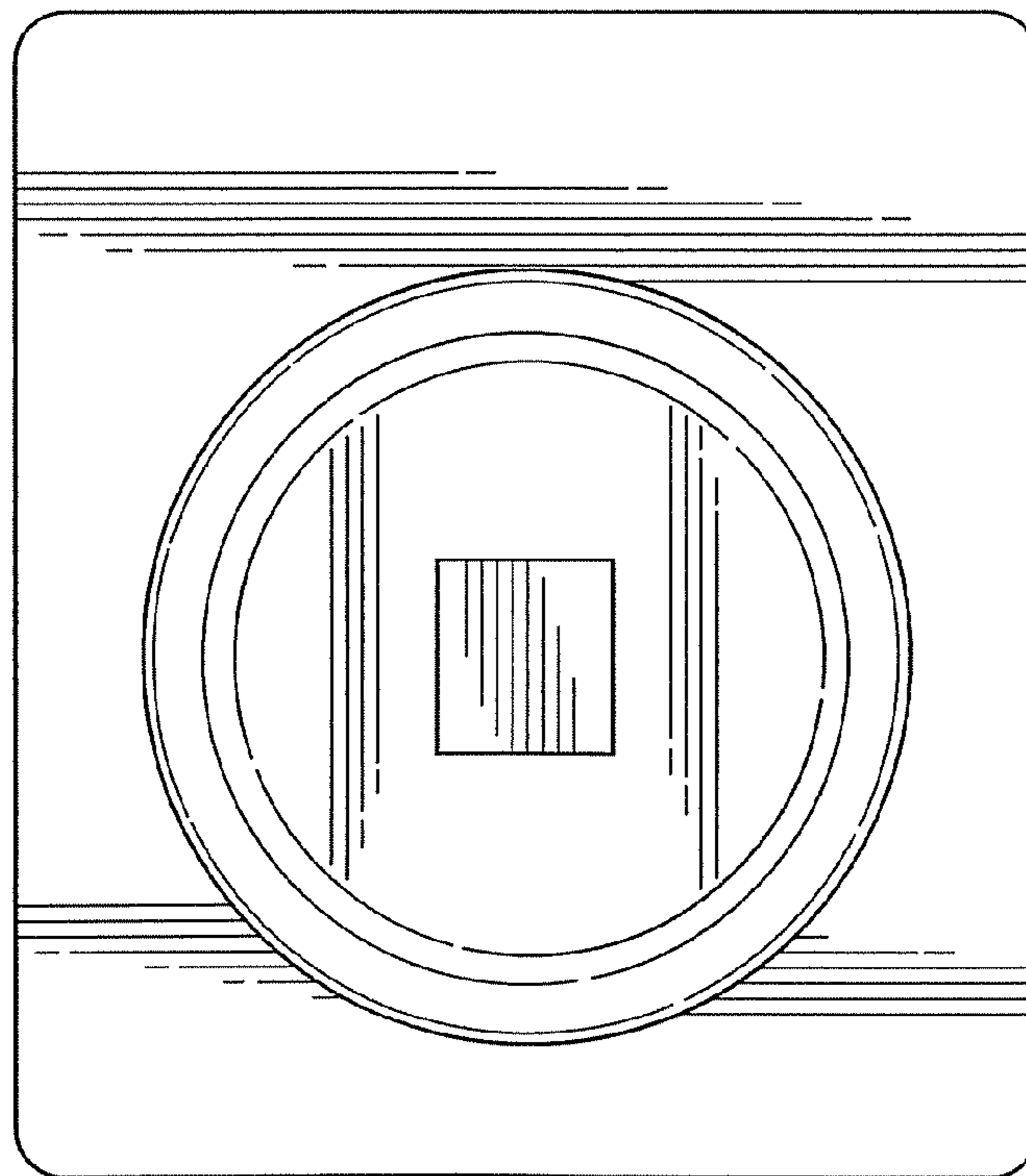


Fig.3

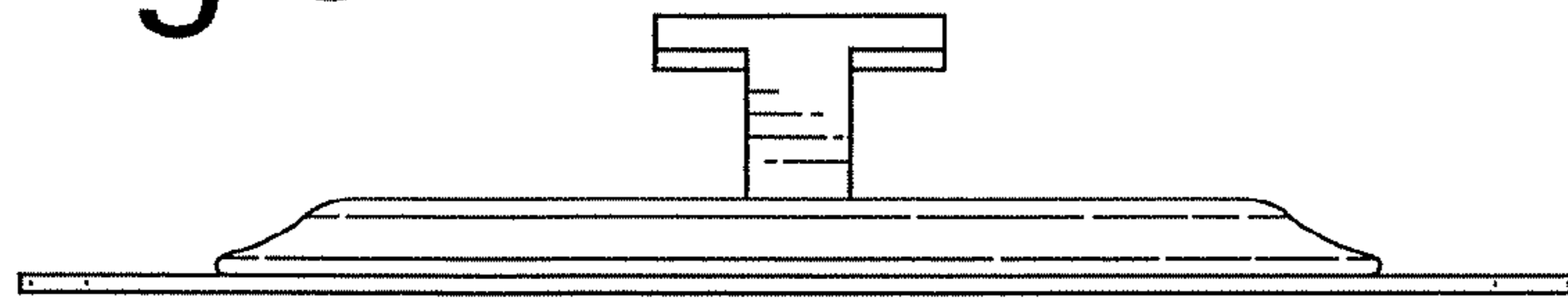


Fig.4

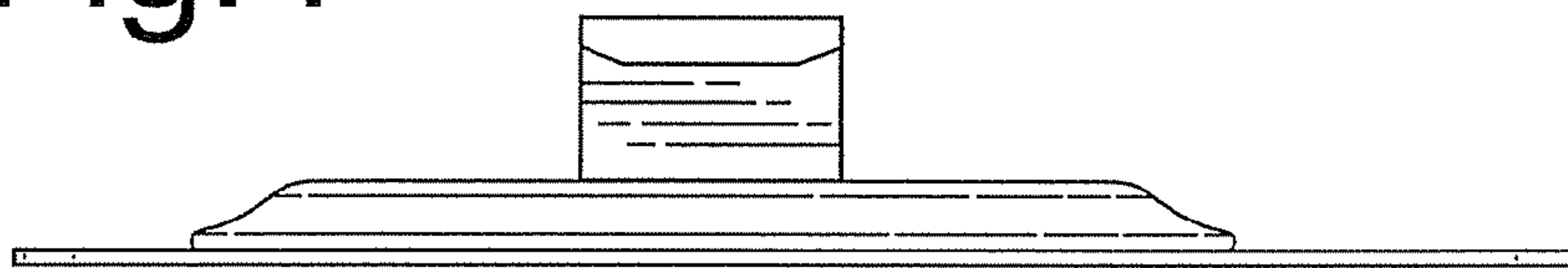


Fig.5

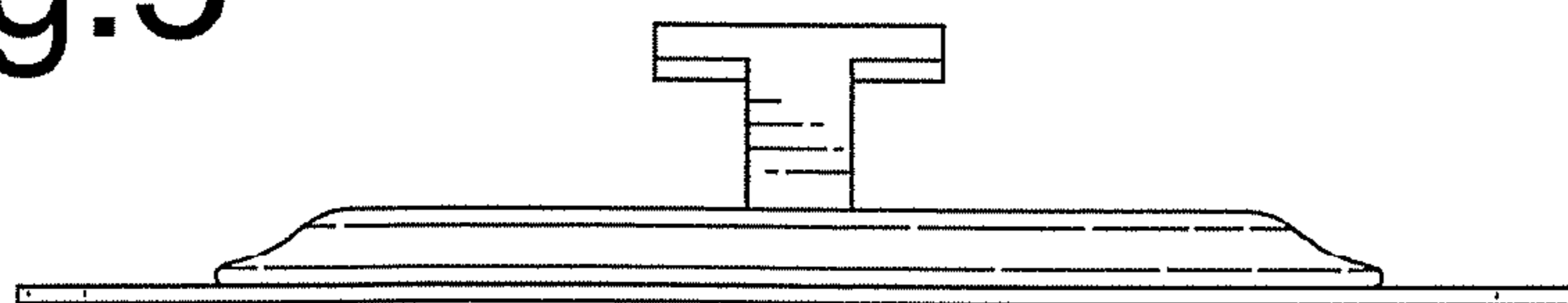


Fig.6

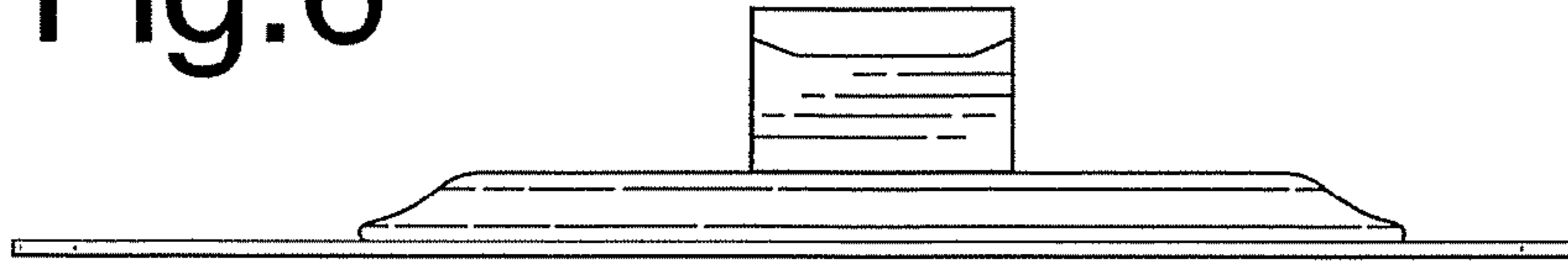


Fig.7

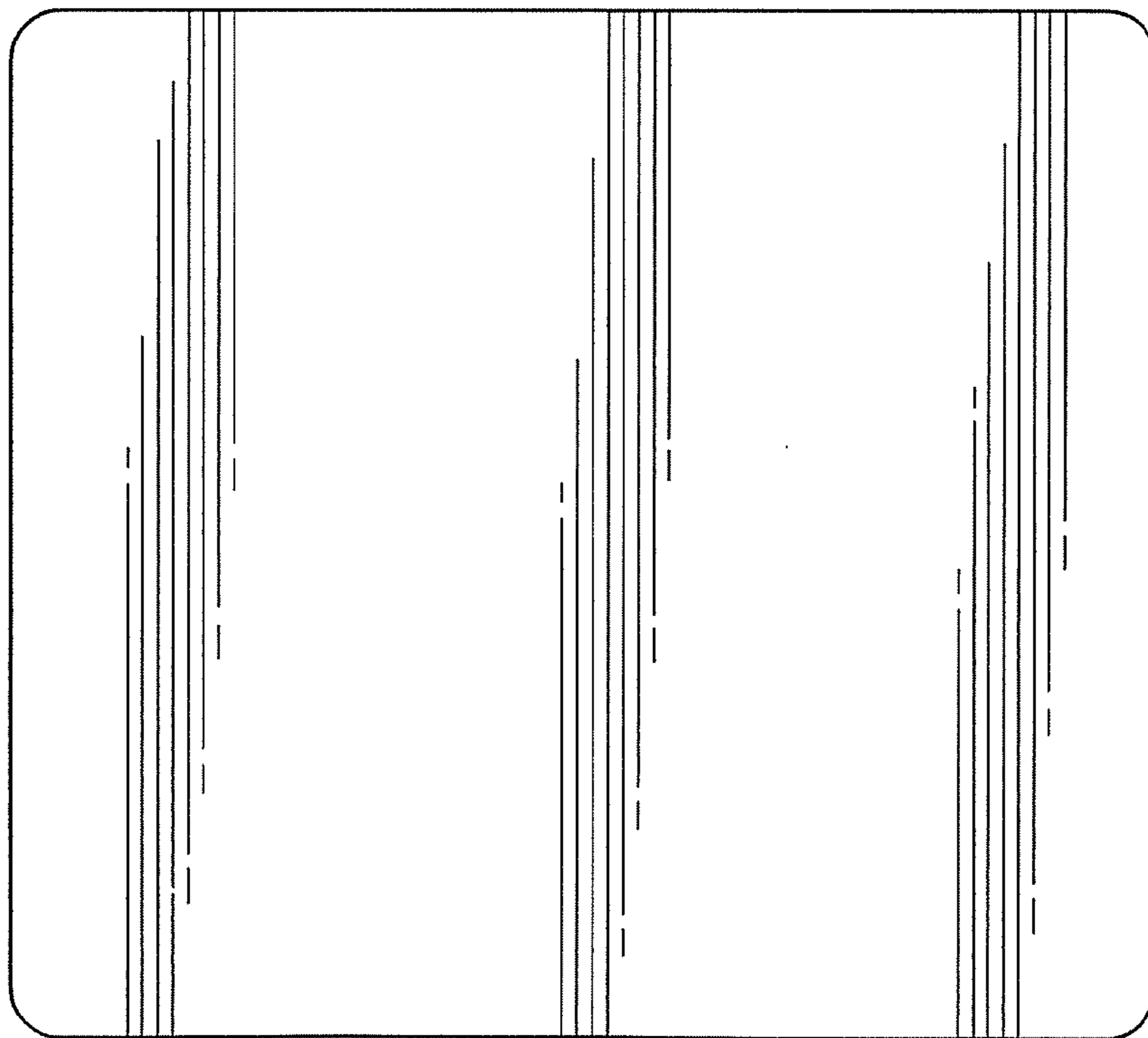


Fig.8

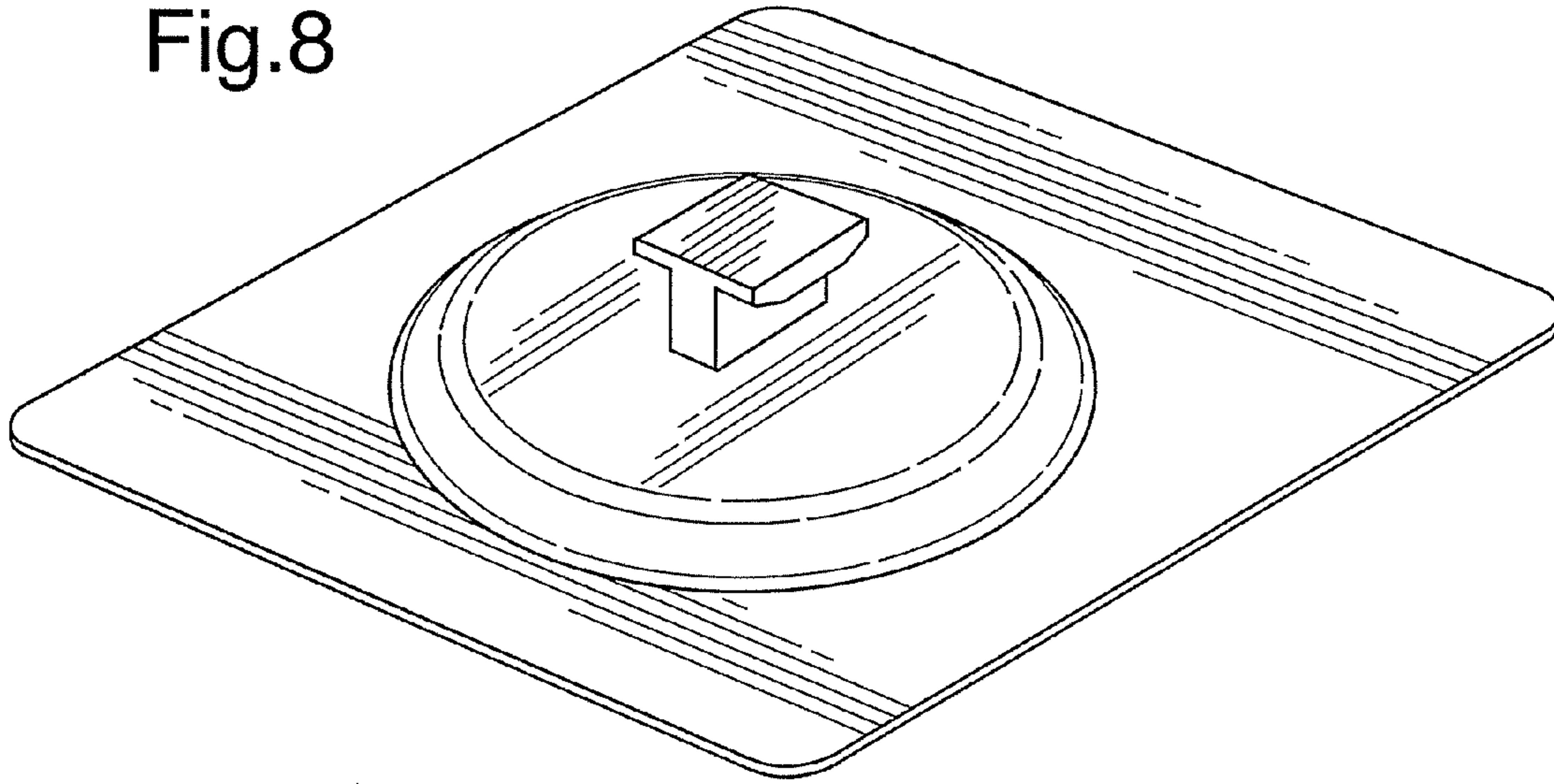


Fig.9

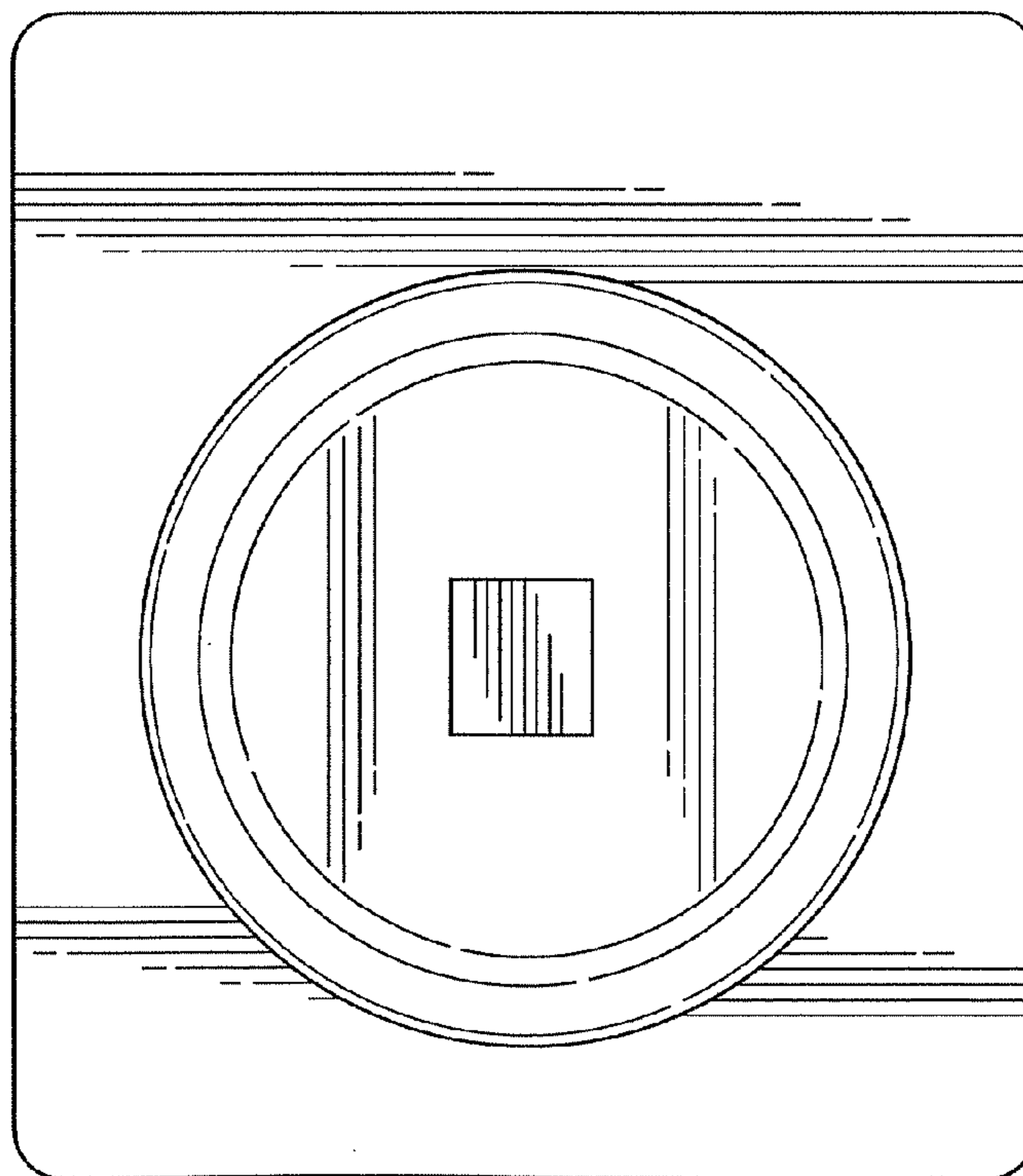


Fig.10

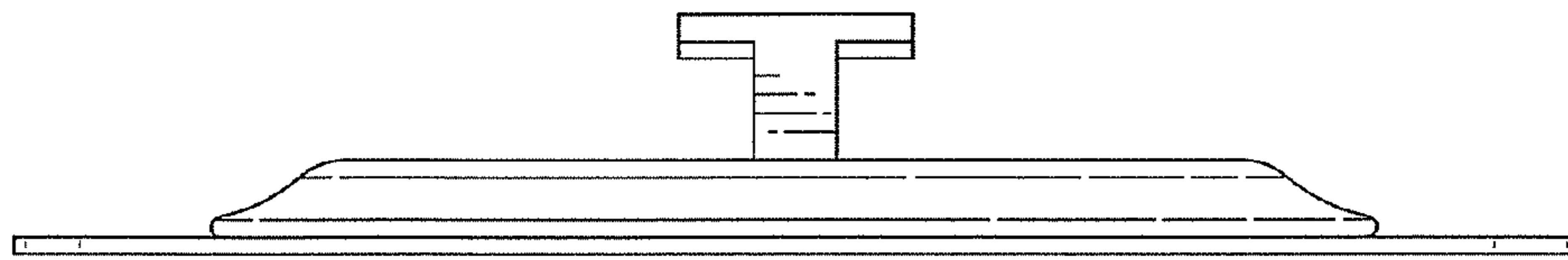


Fig.11

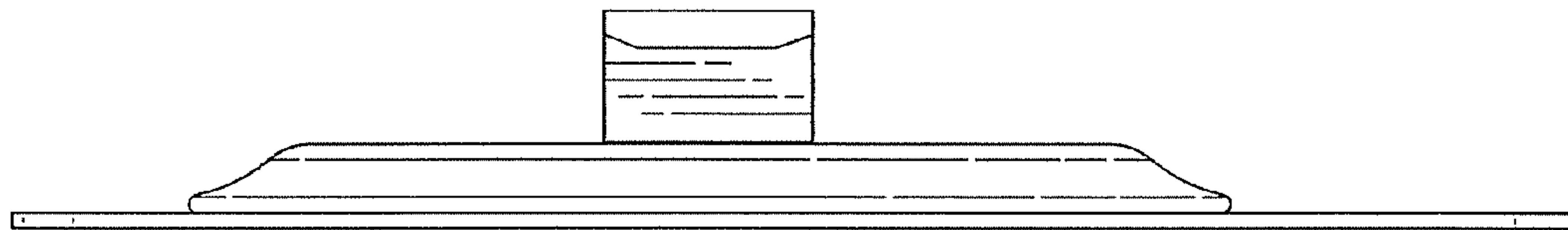


Fig.12

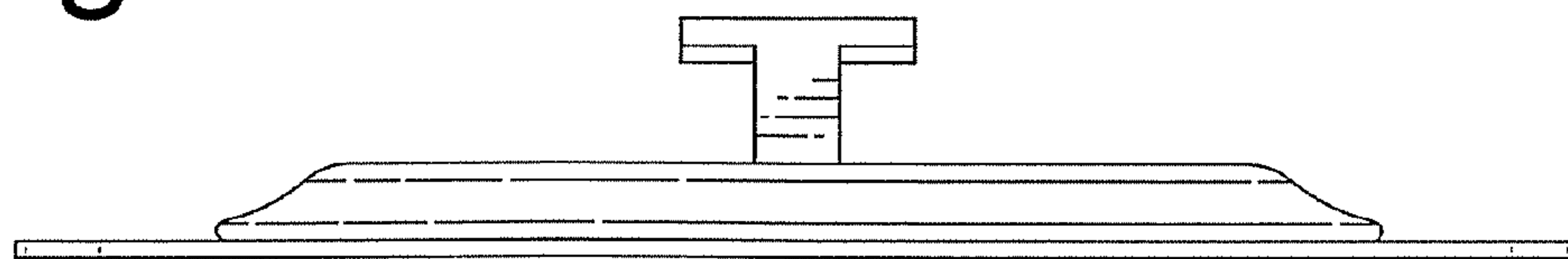


Fig.13

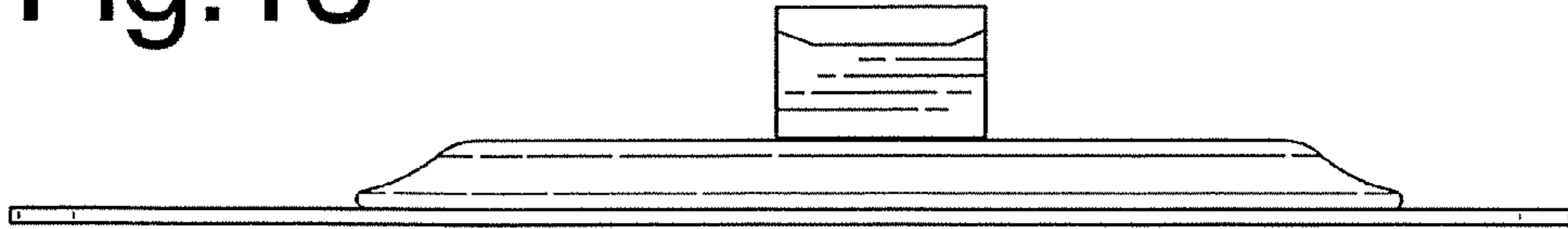


Fig.14

