



US00D608185S

(12) **United States Design Patent**
Gomez

(10) **Patent No.:** **US D608,185 S**
(45) **Date of Patent:** **** Jan. 19, 2010**

(54) **COMBINATION HOOK AND PIN**

DESCRIPTION

(76) Inventor: **Leonard Gomez**, 2628 E. Rose Ave.,
Orange, CA (US) 92867

(**) Term: **14 Years**

(21) Appl. No.: **29/284,433**

(22) Filed: **Sep. 7, 2007**

(51) **LOC (9) Cl.** **08-05**

(52) **U.S. Cl.** **D8/367**

(58) **Field of Classification Search** D8/367,
D8/373; 248/302-303

See application file for complete search history.

(56) **References Cited**

U.S. PATENT DOCUMENTS

D249,019 S *	8/1978	Fredriksson	D8/367
D410,378 S *	6/1999	Aganian	D8/367
D505,315 S *	5/2005	Snell	D8/367
D525,861 S *	8/2006	Mackey et al.	D8/367

* cited by examiner

Primary Examiner—Holly H Baynham

(74) *Attorney, Agent, or Firm*—QuickPatents, Inc.; Kevin Prince

(57) **CLAIM**

I claim the ornamental design for a combination hook and pin,
as shown and described.

FIG. 1 is a perspective view of a combination hook and pin,
illustrating a non-opaque embodiment, showing my new
design;

FIG. 2 is a front elevational view of the invention, illustrating
the non-opaque embodiment;

FIG. 3 is a rear elevational view of the invention, illustrating
the non-opaque embodiment;

FIG. 4 is a left-side elevational view of the invention, illus-
trating the non-opaque embodiment, the right-side eleva-
tional view being a mirror image thereof;

FIG. 5 is a top plan view of the invention, illustrating the
non-opaque embodiment;

FIG. 6 is a bottom plan view of the invention, illustrating the
non-opaque embodiment;

FIG. 7 is a perspective view of the invention, illustrating an
opaque embodiment;

FIG. 8 is a front elevational view of the invention, illustrating
the opaque embodiment;

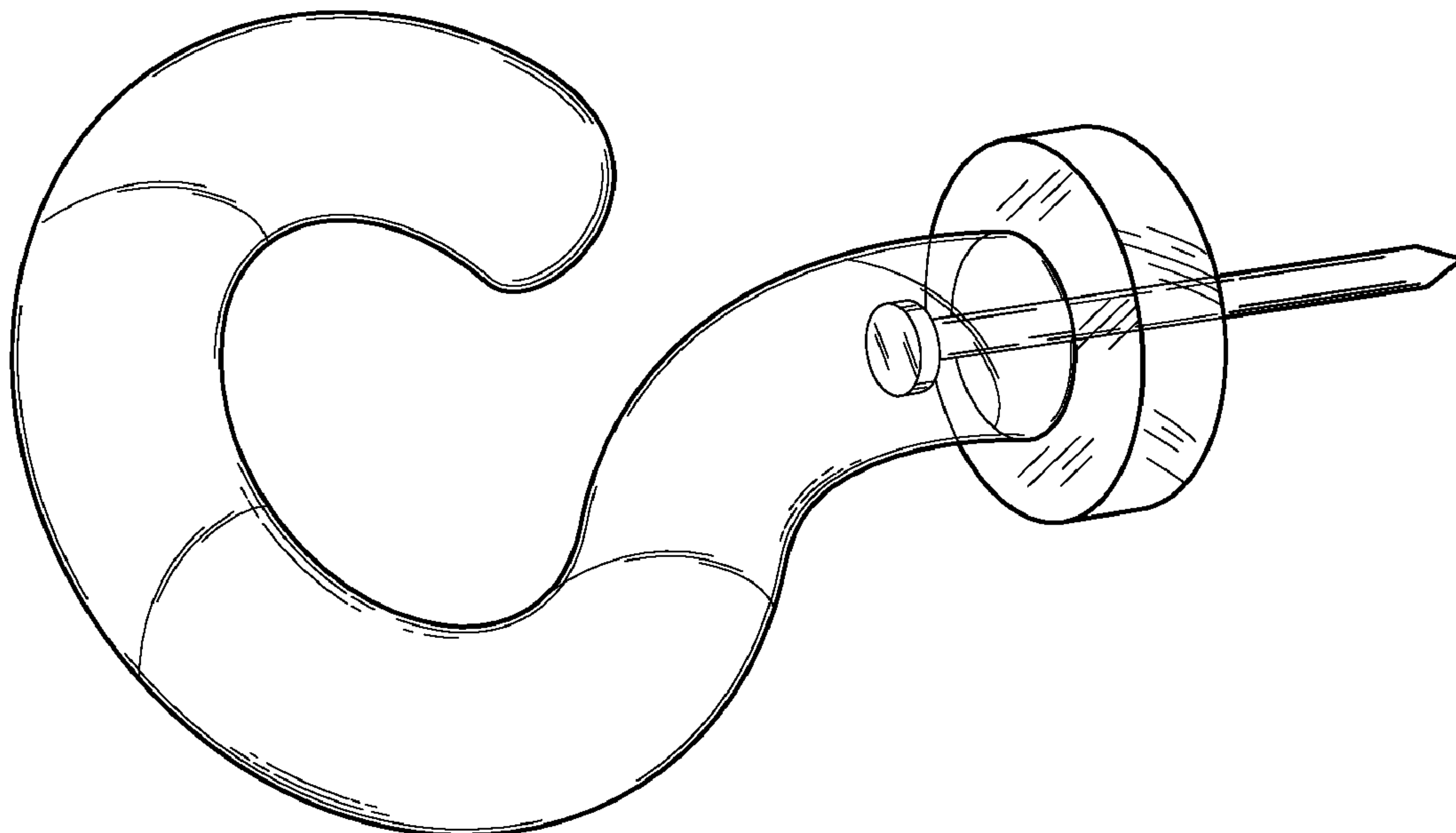
FIG. 9 is a rear elevational view of the invention, illustrating
the opaque embodiment;

FIG. 10 is a left-side elevational view of the invention, illus-
trating the opaque embodiment, the right-side elevational
view being a mirror image thereof;

FIG. 11 is a top plan view of the invention, illustrating the
opaque embodiment; and,

FIG. 12 is a bottom plan view of the invention, illustrating the
opaque embodiment.

1 Claim, 4 Drawing Sheets



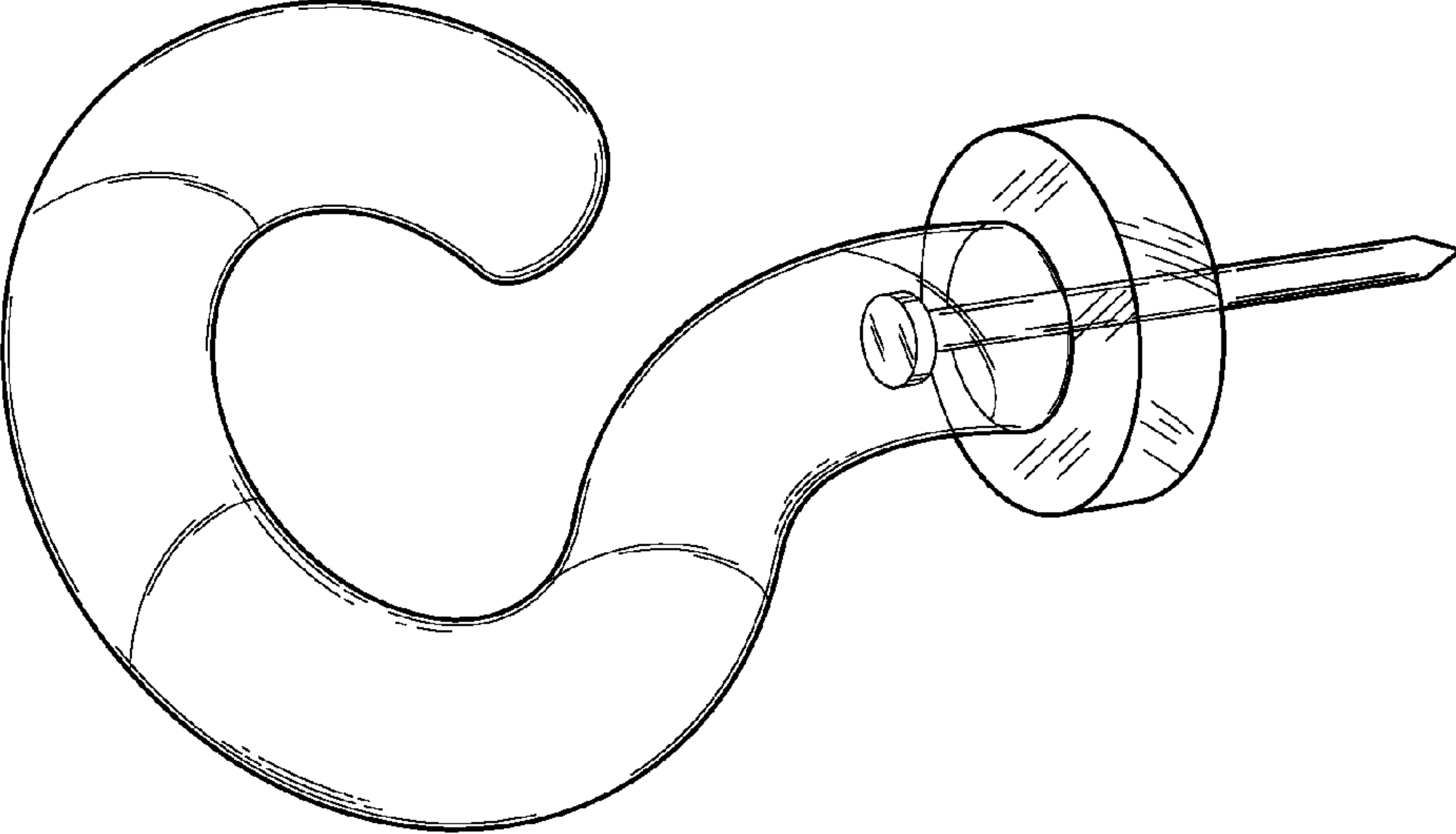


FIG. 1

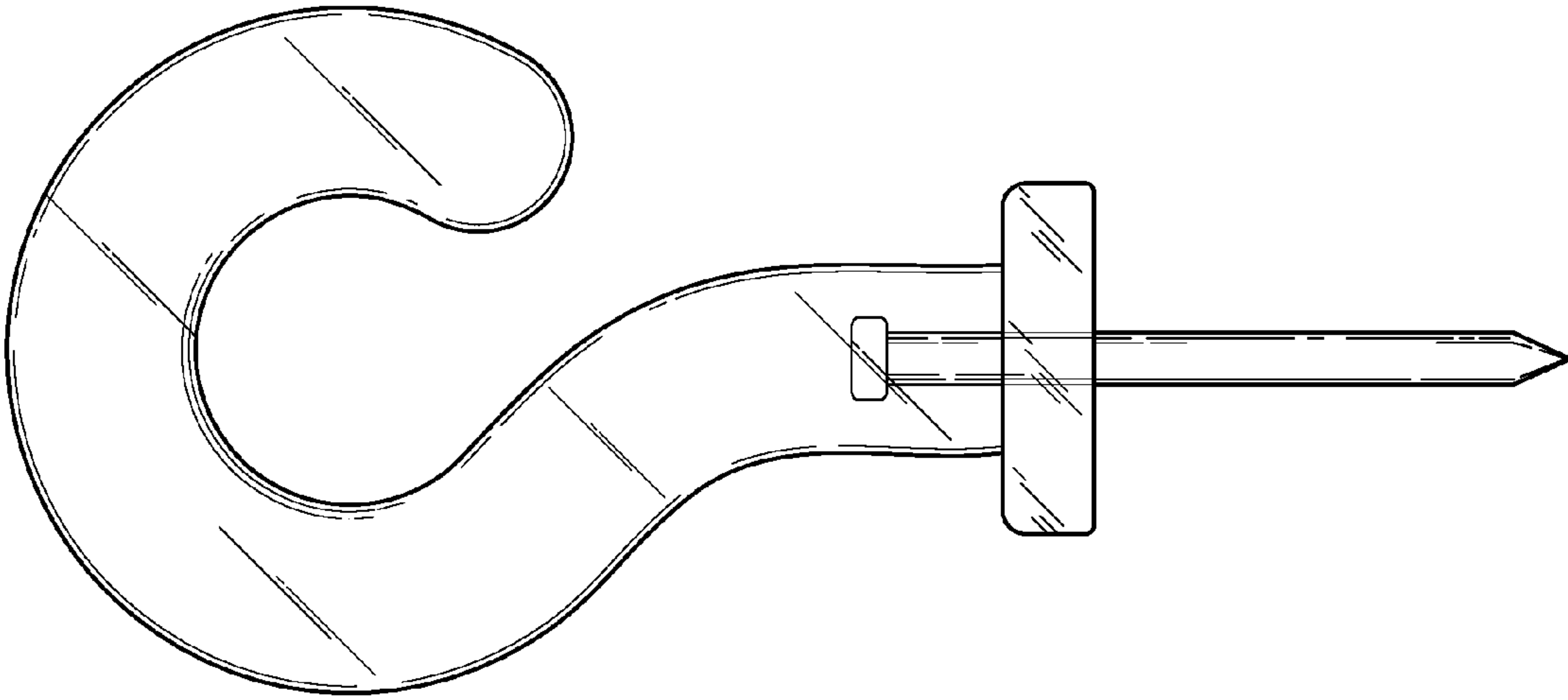


FIG. 2

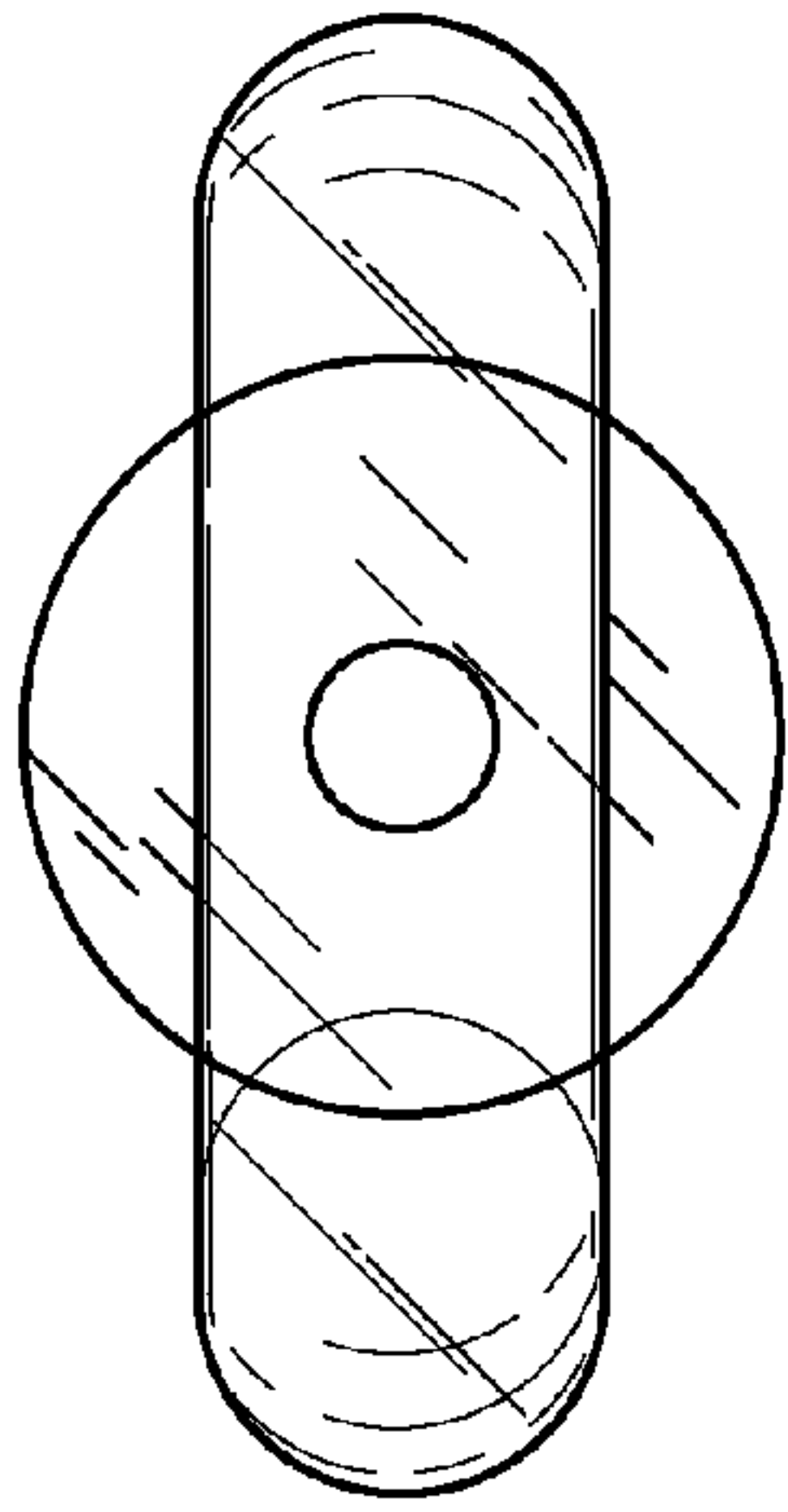


FIG. 3

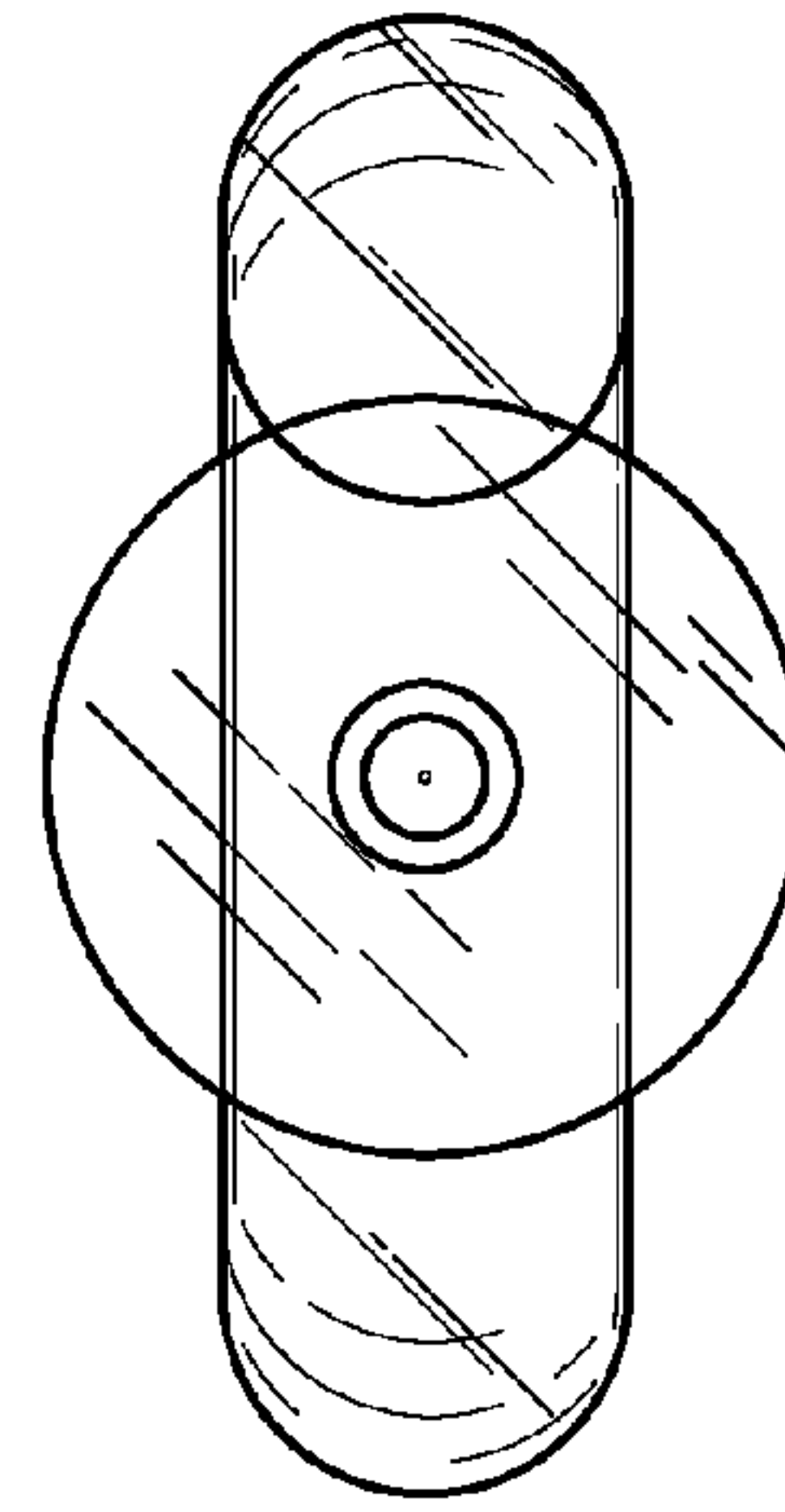


FIG. 4

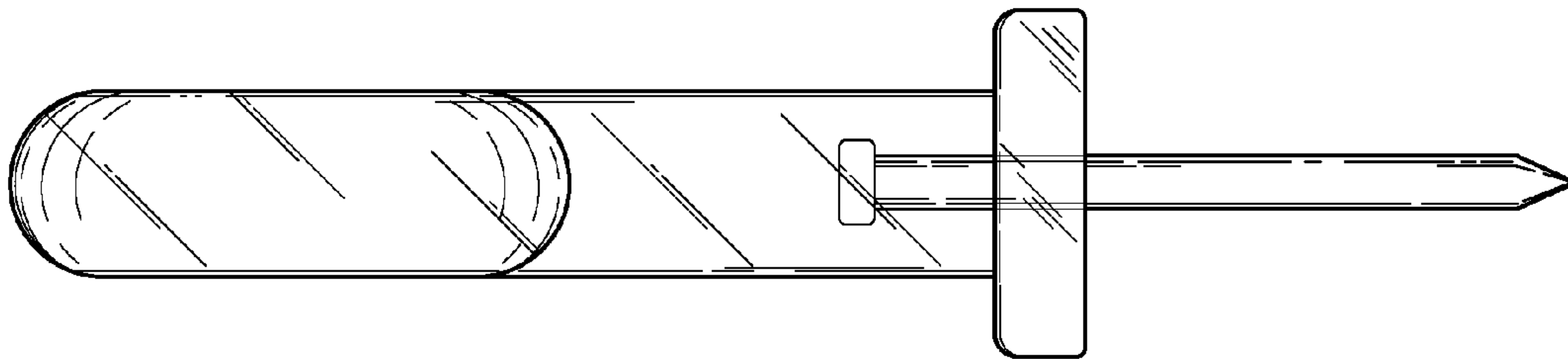


FIG. 5

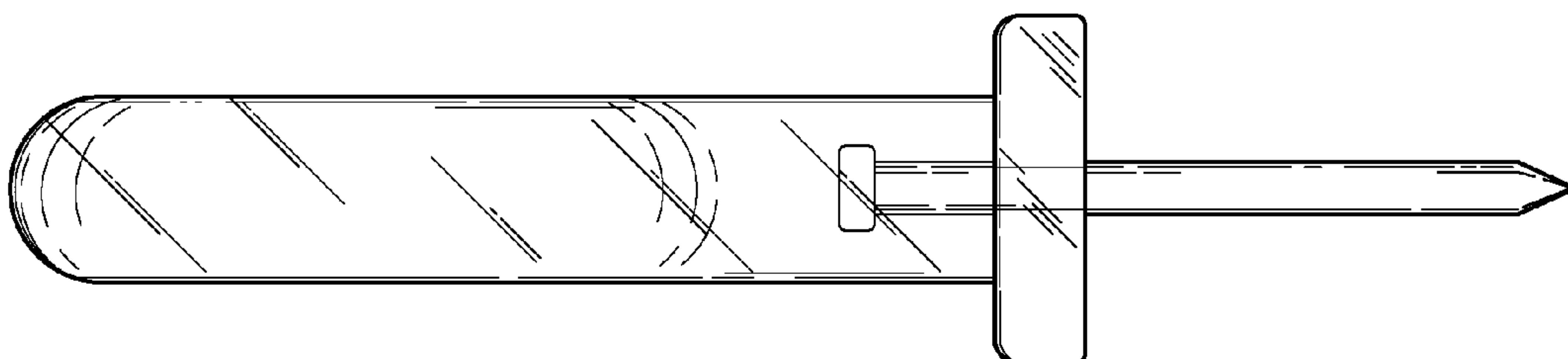


FIG. 6

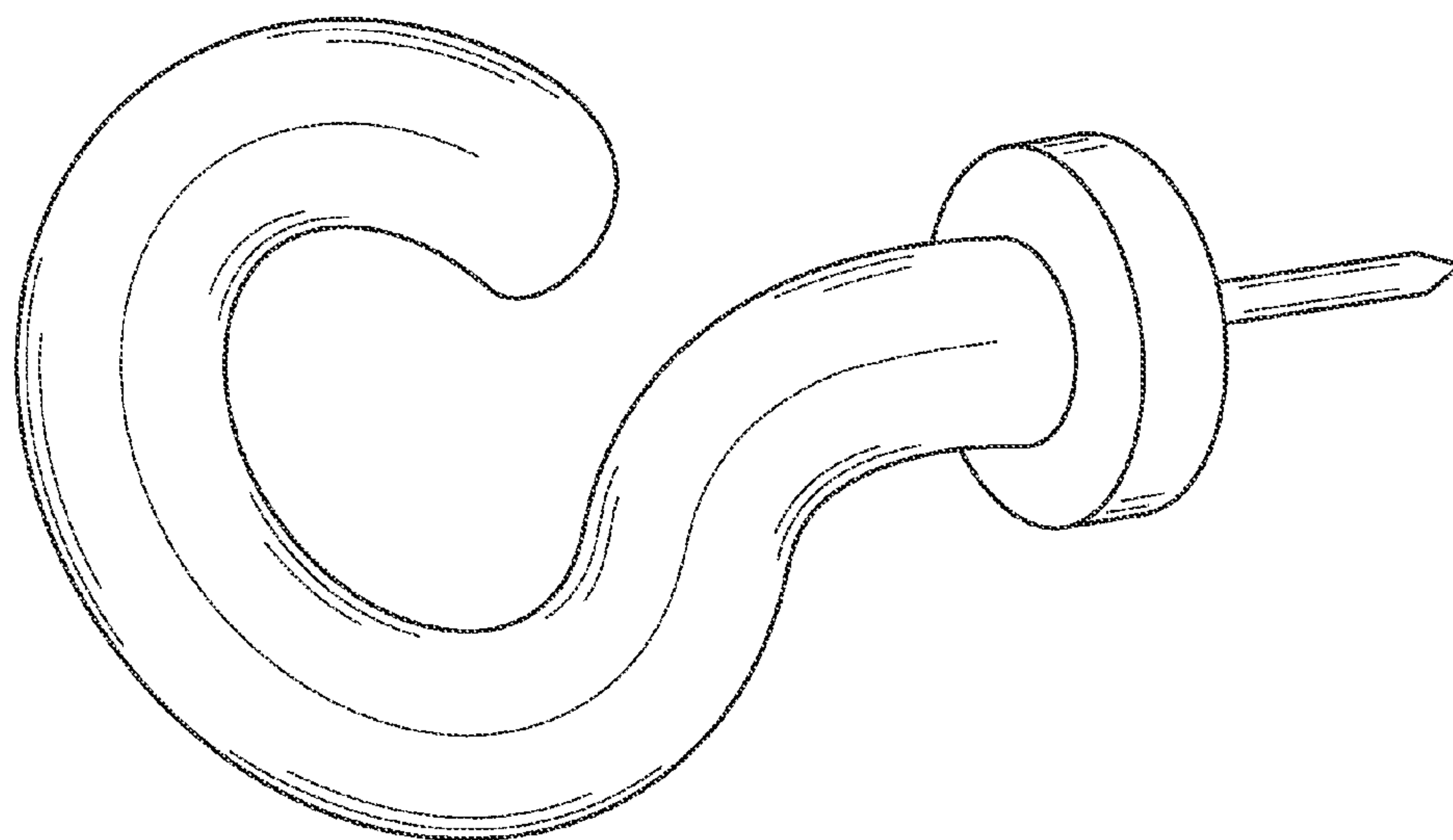


FIG. 7

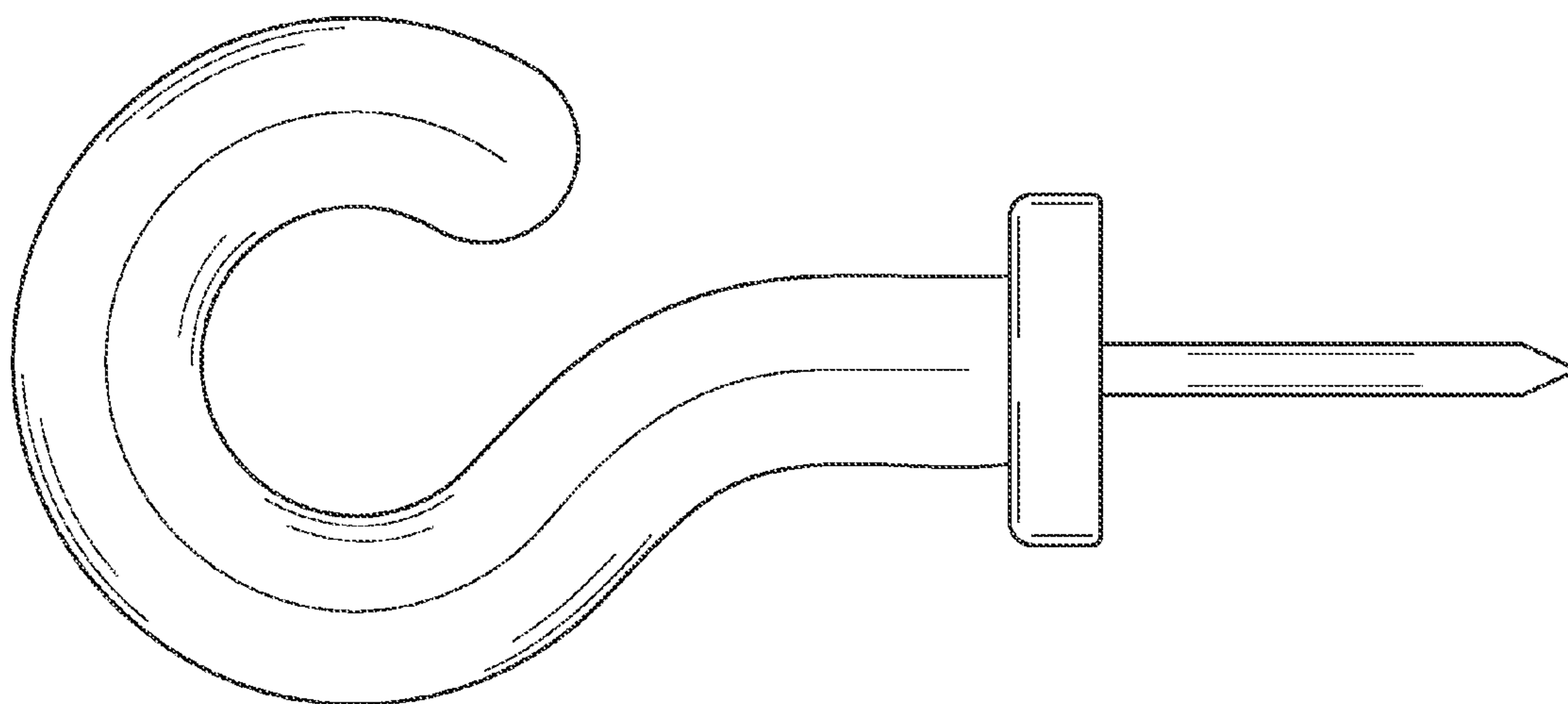


FIG. 8

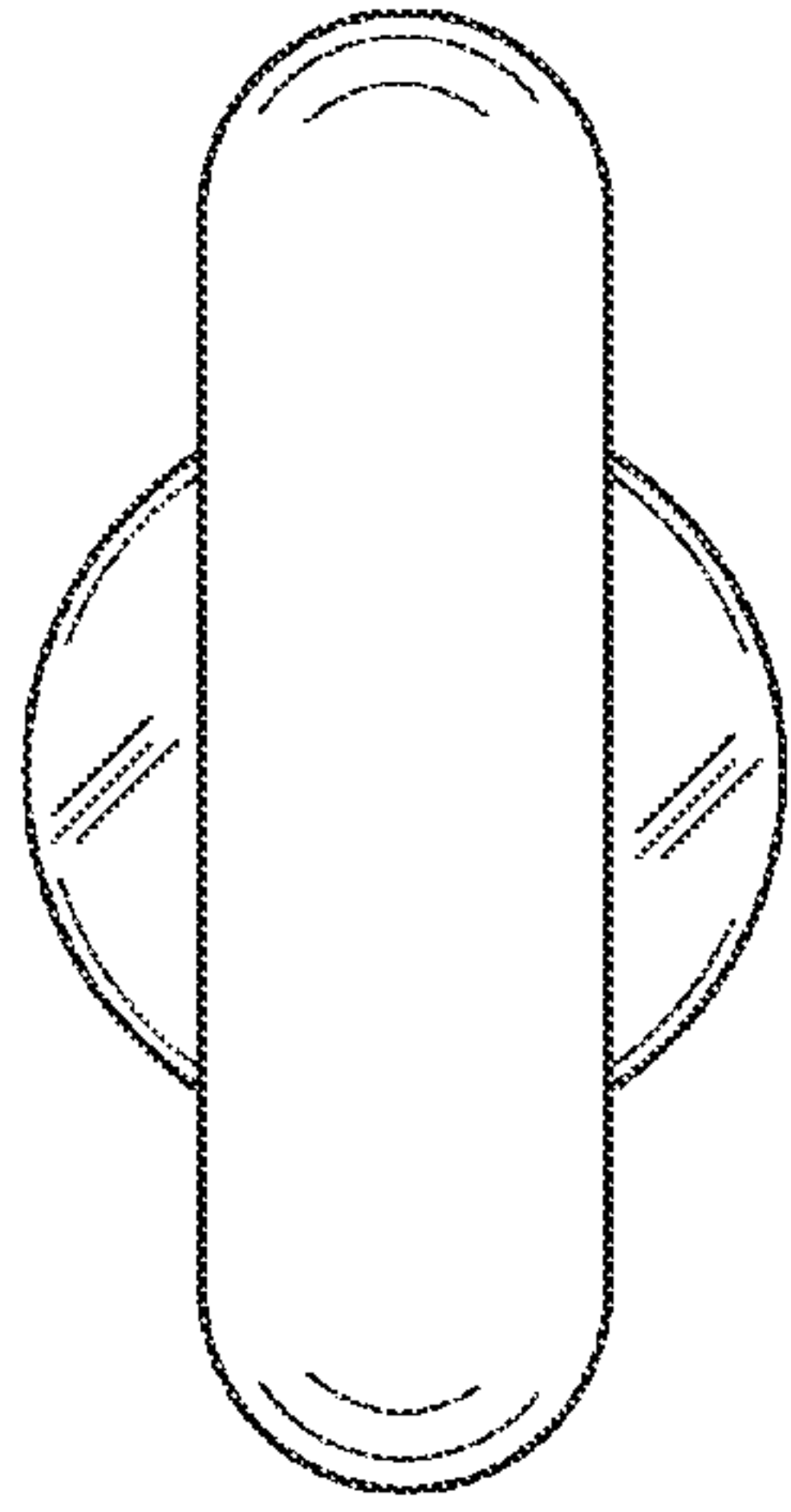


FIG. 9

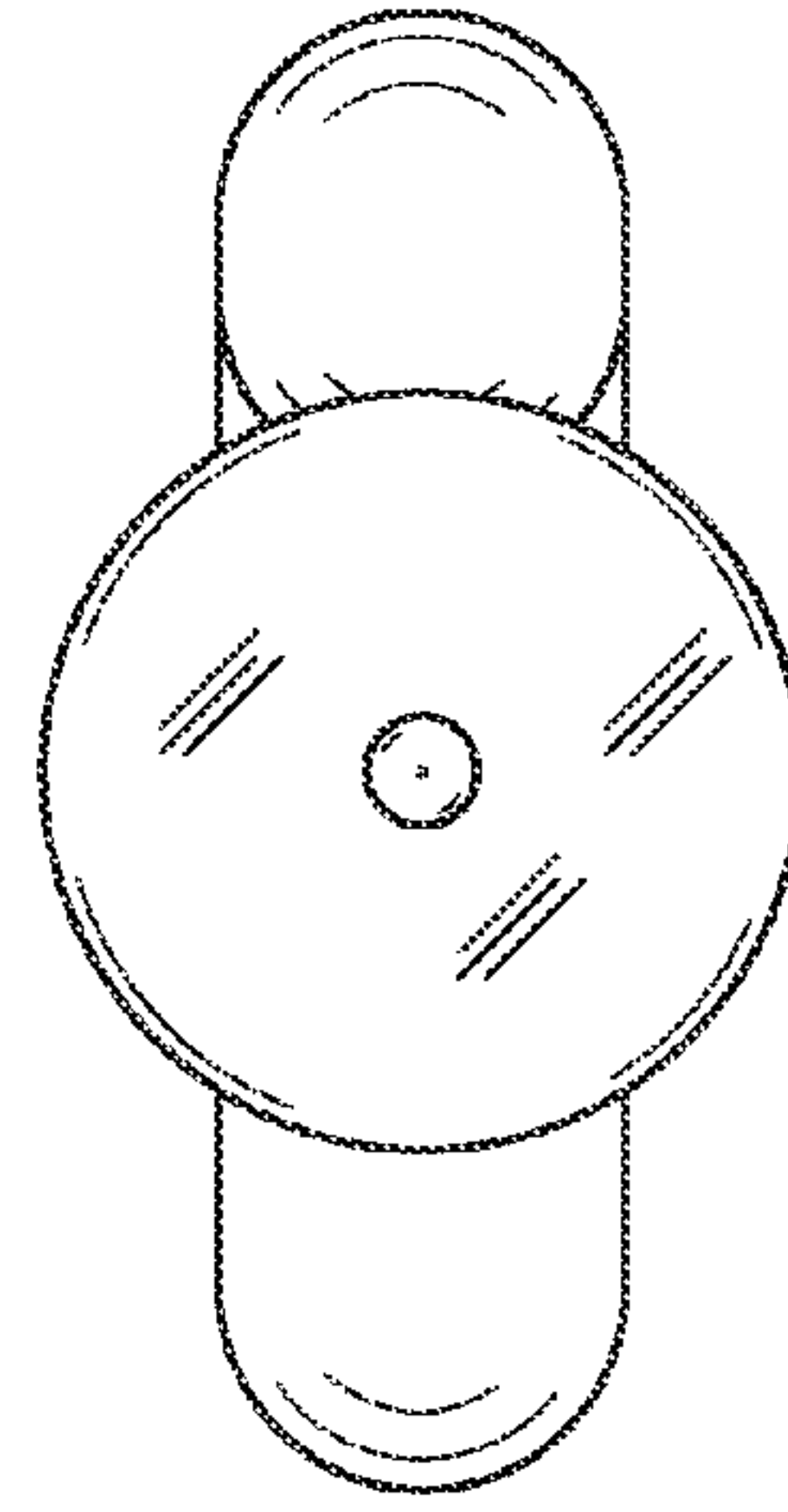


FIG. 10

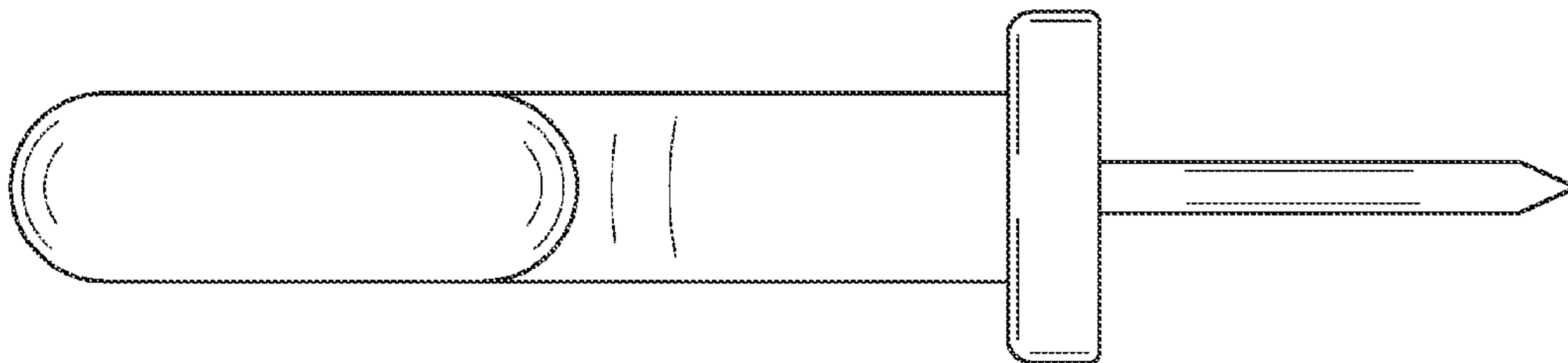


FIG. 11

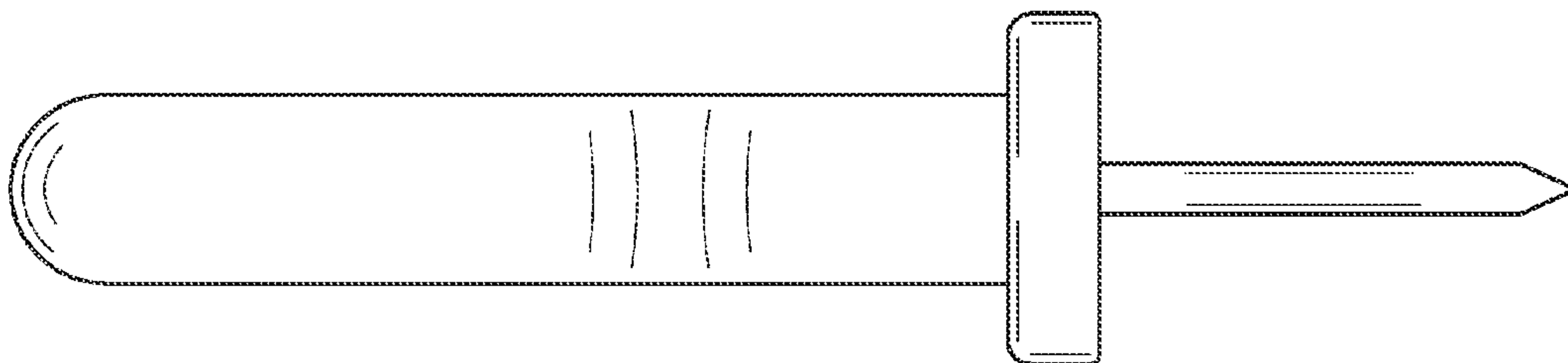


FIG. 12