



US00D608184S

(12) **United States Design Patent**  
**Kelleghan**

(10) **Patent No.:** **US D608,184 S**

(45) **Date of Patent:** **\*\* \*Jan. 19, 2010**

(54) **CARABINER**

FOREIGN PATENT DOCUMENTS

(75) Inventor: **Brian James Kelleghan**, Longmont, CO (US)

EP 0345 176 A1 12/1989

(Continued)

(73) Assignee: **Bison Designs, LLC**, Longmont, CO (US)

OTHER PUBLICATIONS

(\*\*) Term: **14 Years**

U. S. Appl. No. 29/302,639 filed Jan. 21, 2008; Inventor: Brian James Kelleghan. Copy not provided as application is available in IFW system per 37 CFR 1.98(a)(2)(iii).

(21) Appl. No.: **29/338,367**

(22) Filed: **Jun. 10, 2009**

(Continued)

**Related U.S. Application Data**

(62) Division of application No. 29/321,706, filed on Jul. 22, 2008, now Pat. No. Des. 595,119.

*Primary Examiner*—Robert M Spear

*Assistant Examiner*—Karen Acker

(74) *Attorney, Agent, or Firm*—Margaret Polson; Oppedahl Patent Law Firm LLC

(51) **LOC (9) Cl.** ..... **08-08**

(52) **U.S. Cl.** ..... **D8/356**

(58) **Field of Classification Search** ..... D8/105,  
D8/107, 333, 349, 356, 358, 357, 373, 383;  
D11/200, 215; 24/573.11, 579.09, 579.11,  
24/592.11, 599.1, 599.9, 600.1; 182/5

See application file for complete search history.

(57) **CLAIM**

The ornamental design for a carabiner, as shown and described.

**DESCRIPTION**

FIG. 1 is a top plan view of my new design for a carabiner.

FIG. 2 is a bottom plan view of FIG. 1.

FIG. 3 is a left side elevation view of FIG. 1.

FIG. 4 is a right side elevation view of FIG. 1.

FIG. 5 is a front side elevation view of FIG. 1.

FIG. 6 is rear side elevation view of FIG. 1; and,

FIG. 7 is a top perspective view of FIG. 1.

The dotted lines representing a gate and key ring are included to show the carabiner in a position of use only and are not part of the claimed design.

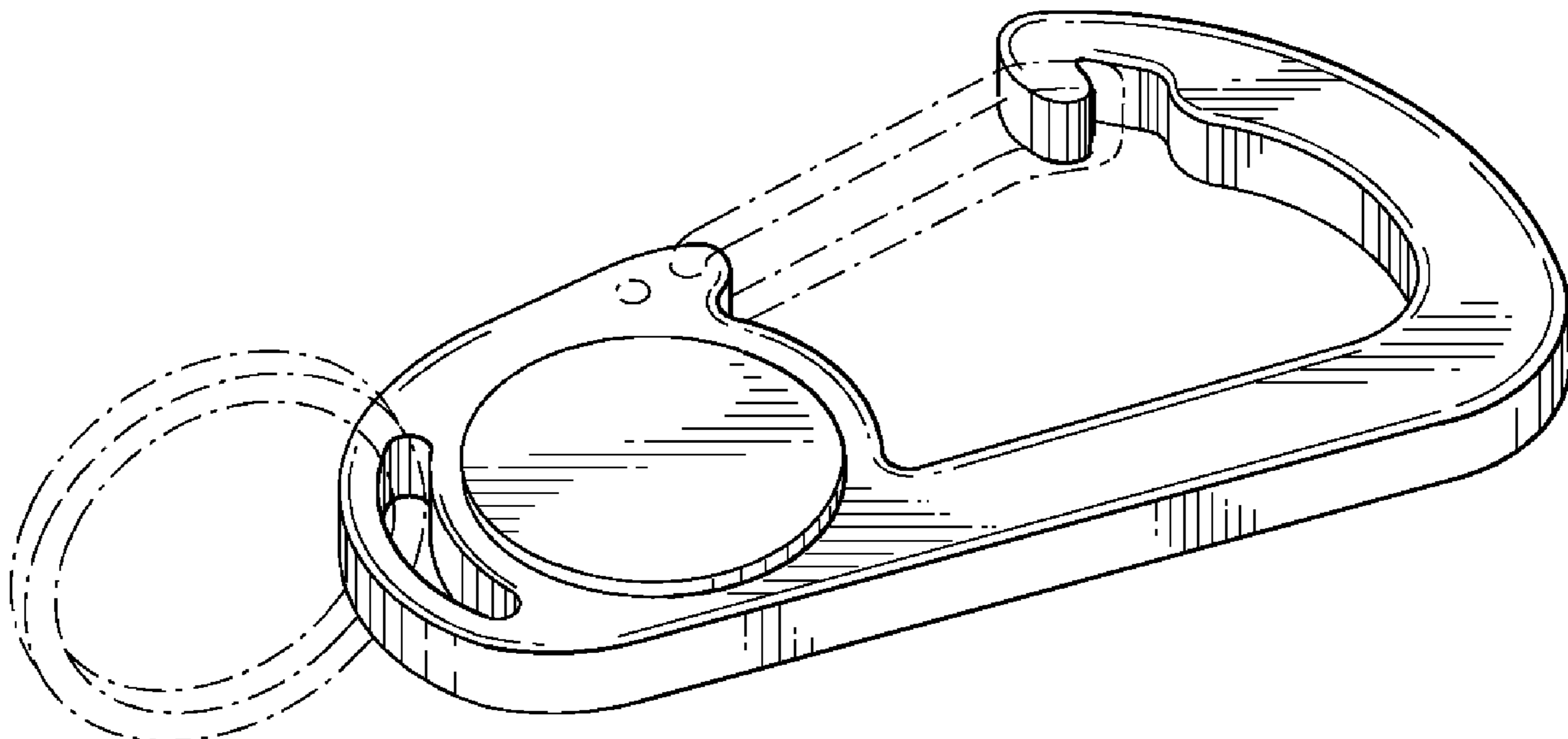
(56) **References Cited**

U.S. PATENT DOCUMENTS

0,048,100	A	6/1865	Saladee	
0,195,909	A	10/1877	Walker	
0,751,643	A	2/1904	Hentgen	
0,947,764	A	1/1910	Schartow	
0,976,636	A	11/1910	Coffman	
1,253,647	A	1/1918	Torrey	
D055,819	S	7/1920	Roebuck	
1,709,235	A	4/1929	Shaffer	
2,357,478	A *	9/1944	Koch	24/600.9

(Continued)

**1 Claim, 2 Drawing Sheets**



# US D608,184 S

Page 2

## U.S. PATENT DOCUMENTS

D271,465 S 11/1983 Boissonnet  
D272,392 S 1/1984 Bigelow  
D273,273 S \* 4/1984 Faidide ..... D8/367  
D282,904 S \* 3/1986 Faidide ..... D8/367  
5,187,844 A 2/1993 Simond  
5,287,645 A \* 2/1994 Gois ..... 43/14  
D348,214 S \* 6/1994 Girardin ..... D8/367  
D354,676 S \* 1/1995 Izumi et al. .... D8/367  
5,384,943 A 1/1995 LeFebvre et al.  
D364,552 S 11/1995 Mathiassen  
D391,473 S 3/1998 Striebel  
D407,297 S \* 3/1999 Mihailovic ..... D8/367  
5,878,834 A 3/1999 Brainerd et al.  
D432,027 S \* 10/2000 Fox et al. .... D10/31  
D443,370 S 6/2001 Yu  
D455,642 S \* 4/2002 Kelleghan ..... D8/367  
D461,312 S 8/2002 Proot et al.  
D466,791 S 12/2002 Kelleghan  
D467,156 S \* 12/2002 Bishop ..... D8/356  
D468,997 S 1/2003 Chang  
D469,023 S 1/2003 Mah  
6,527,434 B1 3/2003 Fox et al.  
D475,591 S 6/2003 Luquire  
D475,605 S 6/2003 Kelleghan  
D478,823 S \* 8/2003 Kelleghan ..... D10/68  
D485,431 S 1/2004 Hsu  
D504,306 S \* 4/2005 Chisolm ..... D8/356  
D520,345 S \* 5/2006 Kelleghan ..... D8/356  
D521,362 S \* 5/2006 Kelleghan ..... D8/356

D521,587 S \* 5/2006 Smith ..... D21/789  
D530,184 S \* 10/2006 Oas ..... D8/333  
D537,369 S \* 2/2007 Bao ..... D10/31  
D546,159 S 7/2007 Kushner  
D551,788 S \* 9/2007 Bao ..... D26/38  
D553,480 S 10/2007 Kelleghan  
D564,341 S \* 3/2008 Kelleghan ..... D8/356  
7,353,571 B2 4/2008 Goldberg  
D568,127 S 5/2008 Oas  
D570,420 S 6/2008 Brookins  
D577,283 S 9/2008 Nishida et al.  
D590,699 S \* 4/2009 Szymanski et al. .... D8/356  
D591,584 S \* 5/2009 Kelleghan ..... D8/356  
2005/0172461 A1 \* 8/2005 Hall ..... 24/599.9  
2006/0179784 A1 8/2006 Chen  
2008/0016659 A1 1/2008 Peterson  
2008/0127465 A1 \* 6/2008 Lin ..... 24/600.1  
2008/0302311 A1 12/2008 Blocker  
2008/0306496 A1 12/2008 Regner  
2009/0178250 A1 \* 7/2009 Brown et al. .... 24/600.1

## FOREIGN PATENT DOCUMENTS

FR 2668560 A1 \* 4/1992  
JP 2008-232154 10/2008

## OTHER PUBLICATIONS

U. S. Appl. No. 29/325,172 filed Sep. 26, 2008; Inventor: Brian James Kelleghan. Copy not provided as application is available in IFW system per 37 CFR 1.98(a)(2)(iii).

\* cited by examiner

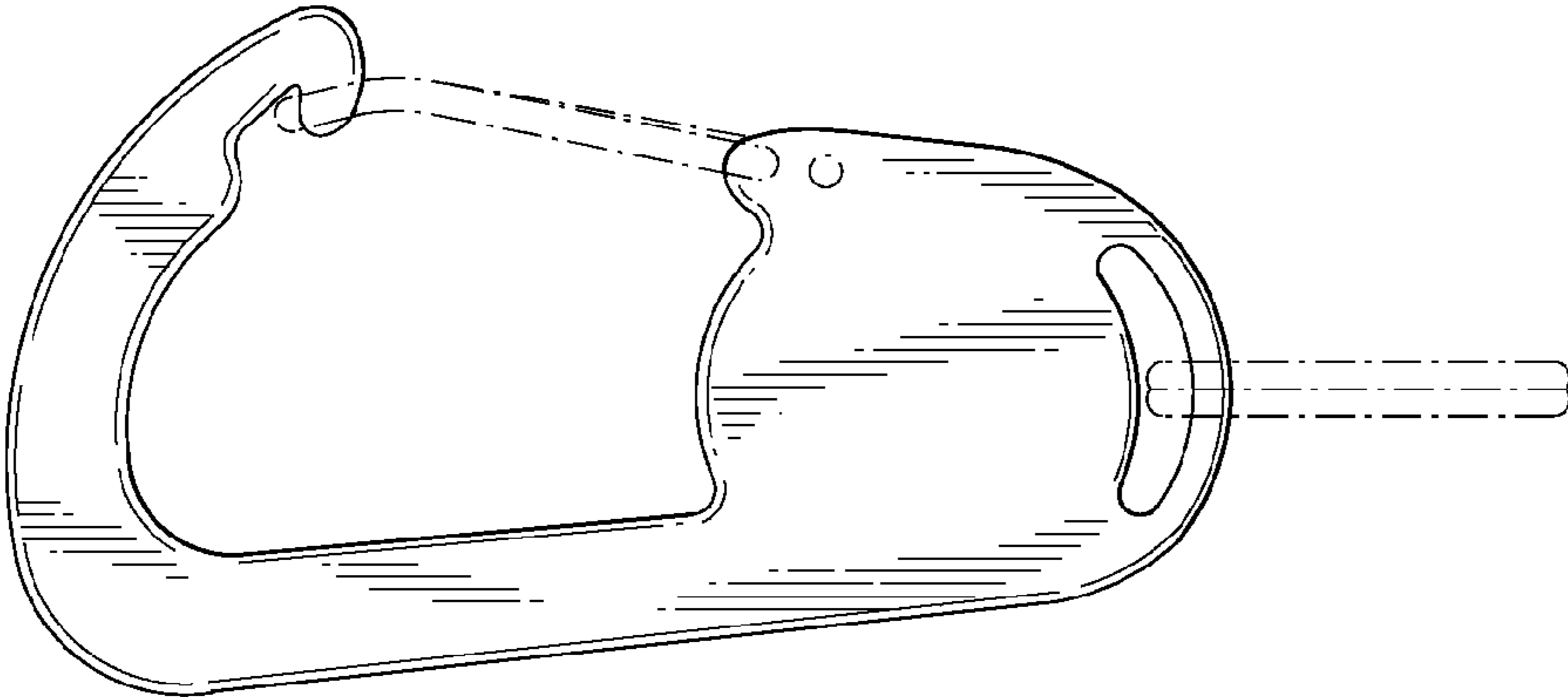


FIG. 2

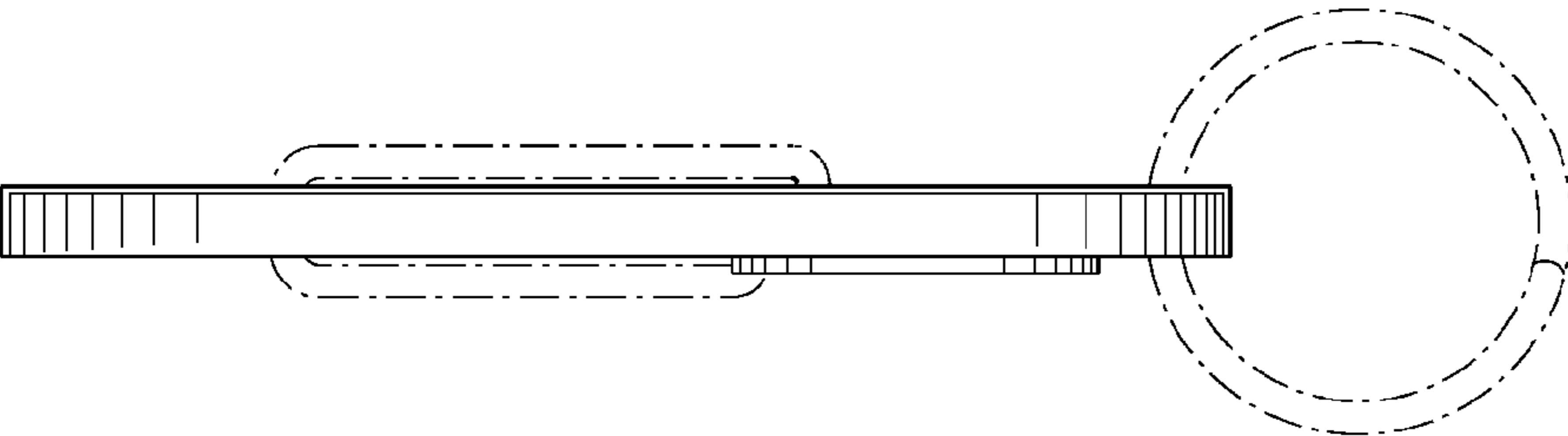


FIG. 4

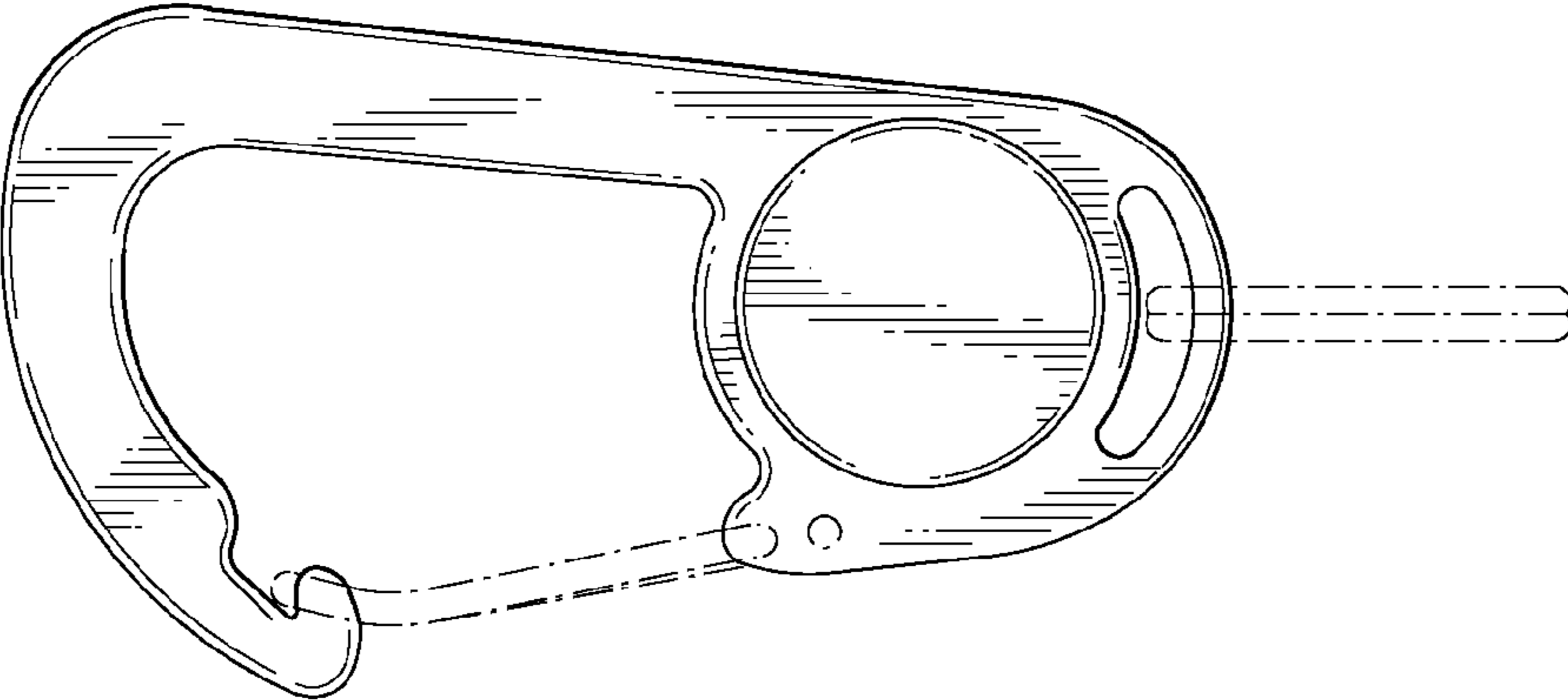


FIG. 1

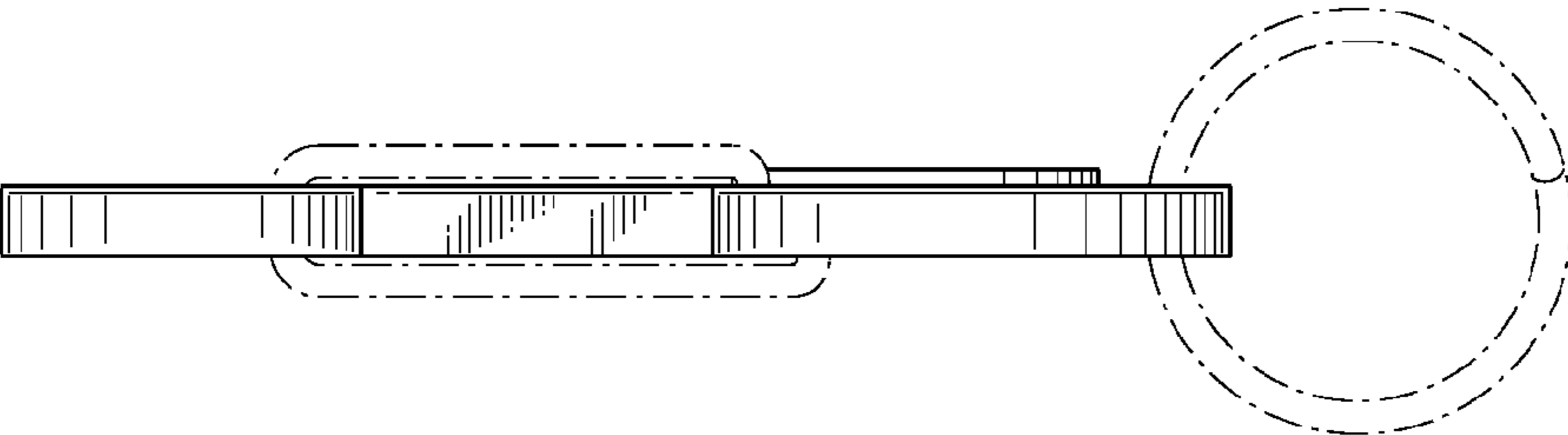


FIG. 3

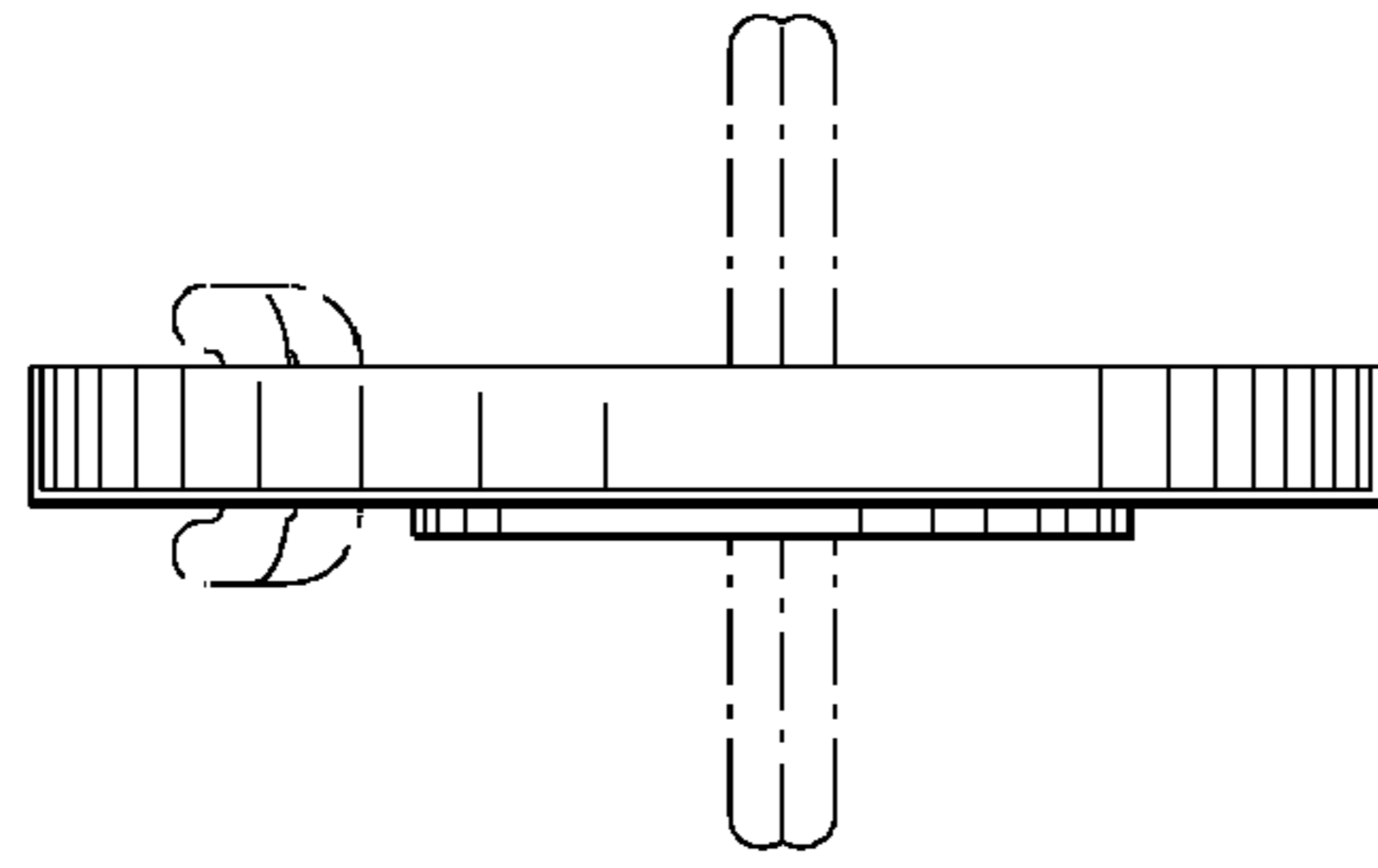


FIG. 5

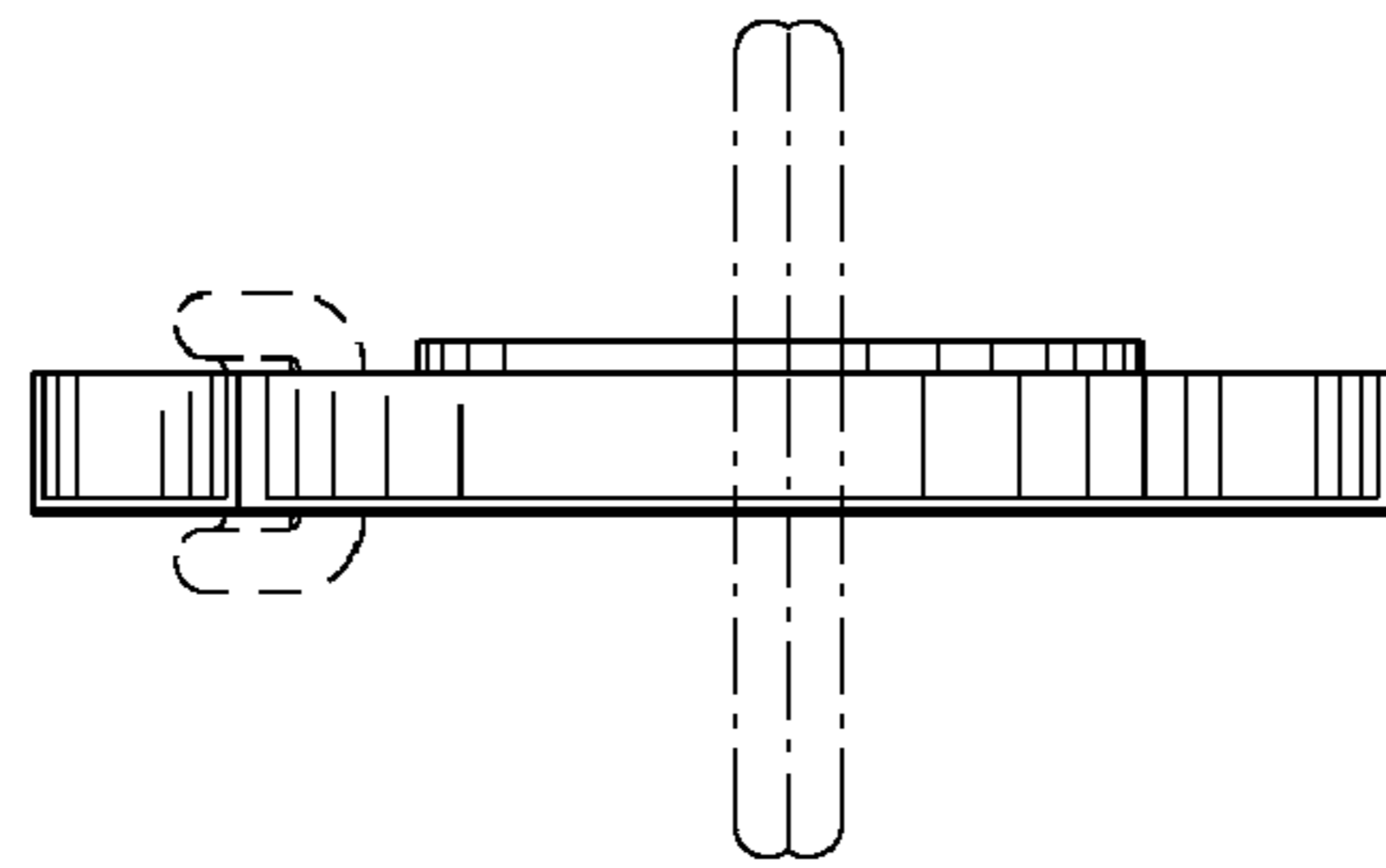


FIG. 6

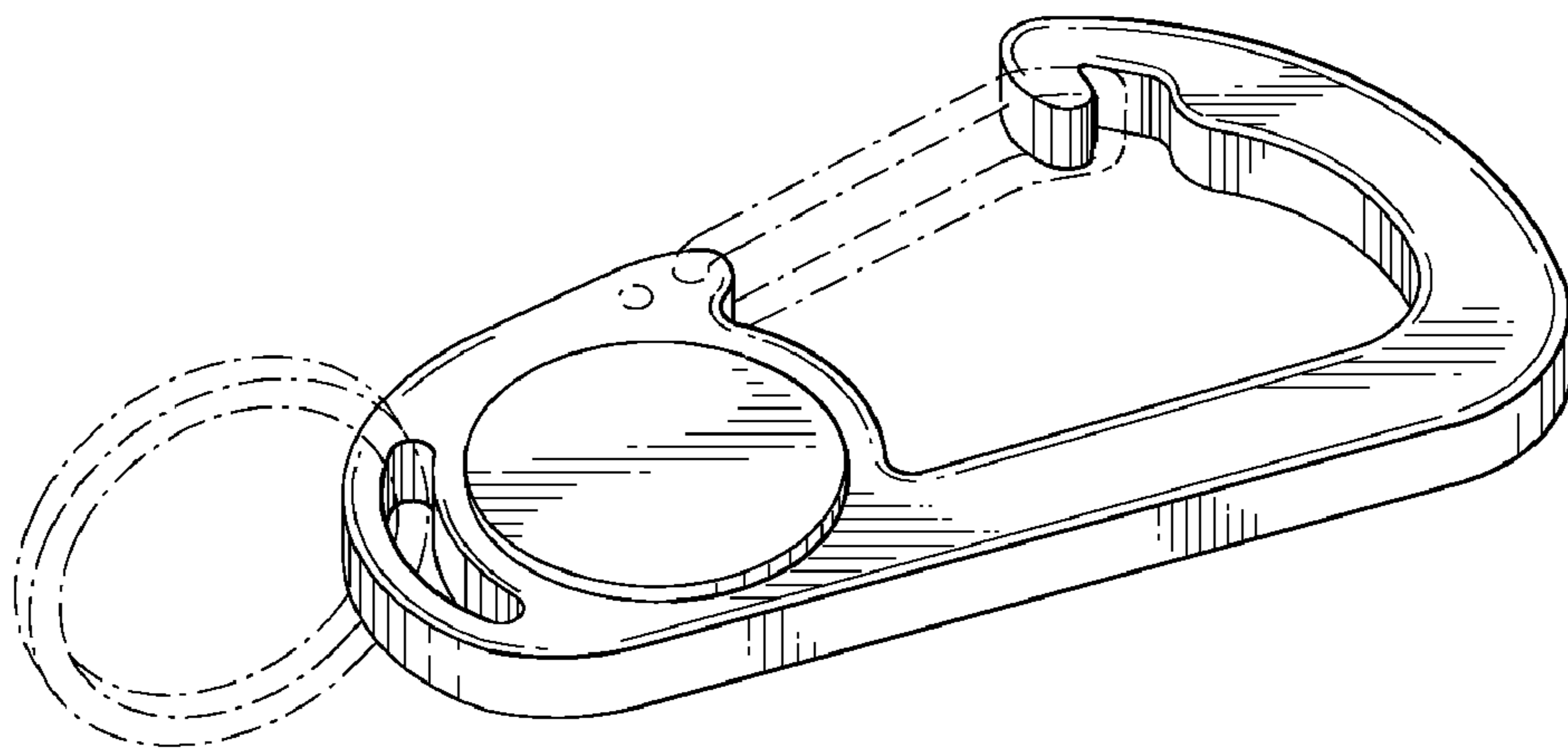


FIG. 7