



US00D608182S

(12) **United States Design Patent**
Banks

(10) **Patent No.:** **US D608,182 S**
(45) **Date of Patent:** **** Jan. 19, 2010**

(54) **SPACER FOR CONCRETE REINFORCEMENT WIRE**

(75) Inventor: **Robert S. Banks**, Cannon Falls, MN (US)

(73) Assignee: **Strike Tool, Inc.**, Cannon Falls, MN (US)

(**) Term: **14 Years**

(21) Appl. No.: **29/325,379**

(22) Filed: **Sep. 30, 2008**

(51) **LOC (9) Cl.** **08-05**

(52) **U.S. Cl.** **D8/354**

(58) **Field of Classification Search** D8/349, D8/354-357, 373, 380, 382; D25/199; 52/414, 52/426, 677, 685, 687, 740.1; 249/187.1, 249/188, 193, 205, 207, 216

See application file for complete search history.

(56) **References Cited**

U.S. PATENT DOCUMENTS

D245,145 S *	7/1977	Berry	D8/356
D253,090 S *	10/1979	Sharley	D8/354
D292,872 S *	11/1987	Takahashi	D8/354
D293,880 S *	1/1988	Takahashi	D8/354
D295,369 S *	4/1988	Niwa	D8/354
D319,173 S *	8/1991	Morita	D8/354
D324,168 S *	2/1992	Fujioka	D8/354
D326,605 S *	6/1992	Nakanura	D8/382
D354,673 S *	1/1995	Gavin	D8/354
D392,544 S *	3/1998	Nakamura	D8/354
D392,545 S *	3/1998	Nakamura	D8/354
D431,175 S *	9/2000	Lodi	D8/354
D468,188 S *	1/2003	Foster, Jr.	D8/354
D489,245 S *	5/2004	Brazier et al.	D8/354
D543,835 S *	6/2007	Geiger	D8/354

D548,053 S *	8/2007	Erickson et al.	D8/354
D548,055 S *	8/2007	Erickson et al.	D8/354
7,506,482 B2 *	3/2009	Sorkin	52/685

* cited by examiner

Primary Examiner—Holly H Baynham

Assistant Examiner—Cynthia M Chin

(74) *Attorney, Agent, or Firm*—Z. Peter Sawicki; Westman, Champlin & Kelly, P.A.

(57) **CLAIM**

The ornamental design for a spacer for concrete reinforcement wire, as shown and described.

DESCRIPTION

FIG. 1 is a perspective view of the present invention.

FIG. 2 is a left side view thereof.

FIG. 3 is a right side view thereof.

FIG. 4 is a backside view thereof.

FIG. 5 is a front side view thereof.

FIG. 6 is a top view thereof.

FIG. 7 is a bottom view thereof.

FIG. 8 is a perspective view of another embodiment of the present invention.

FIG. 9 is a right side view thereof.

FIG. 10 is a left side view thereof.

FIG. 11 is a front view thereof.

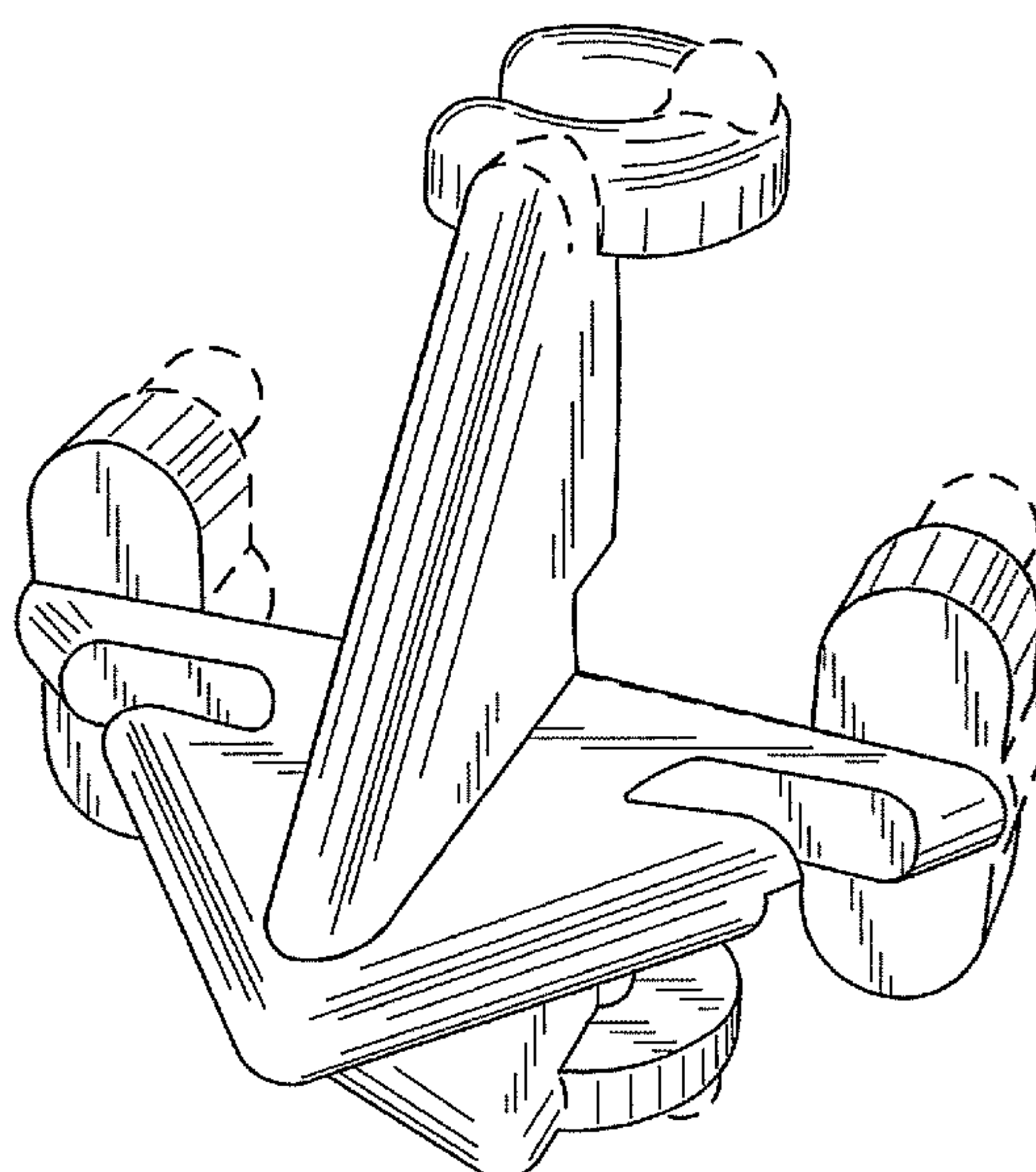
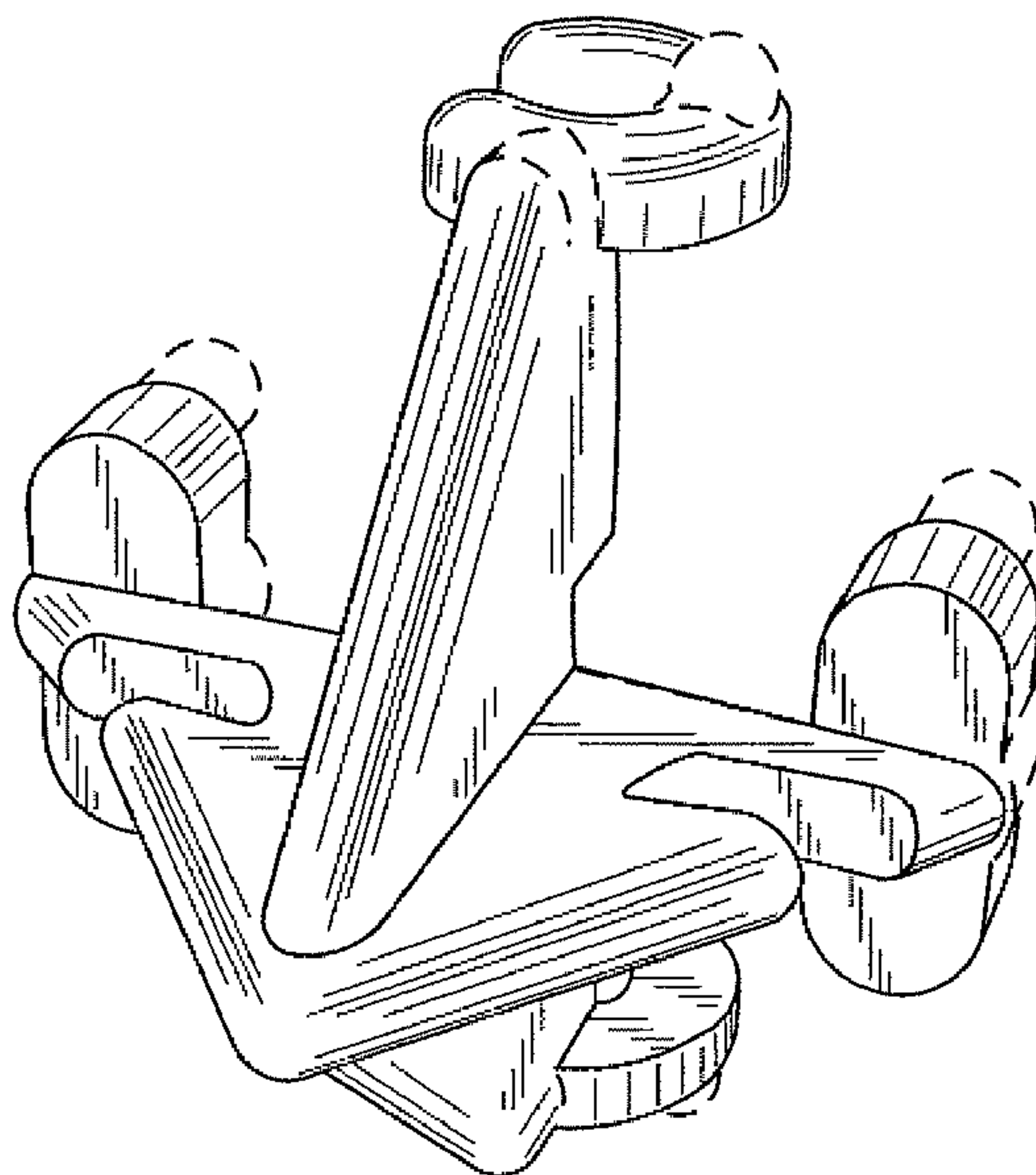
FIG. 12 is a rear view thereof.

FIG. 13 is a bottom view thereof; and,

FIG. 14 is a top view thereof.

The broken lines represent portions of the design that form no part of the claim.

1 Claim, 8 Drawing Sheets



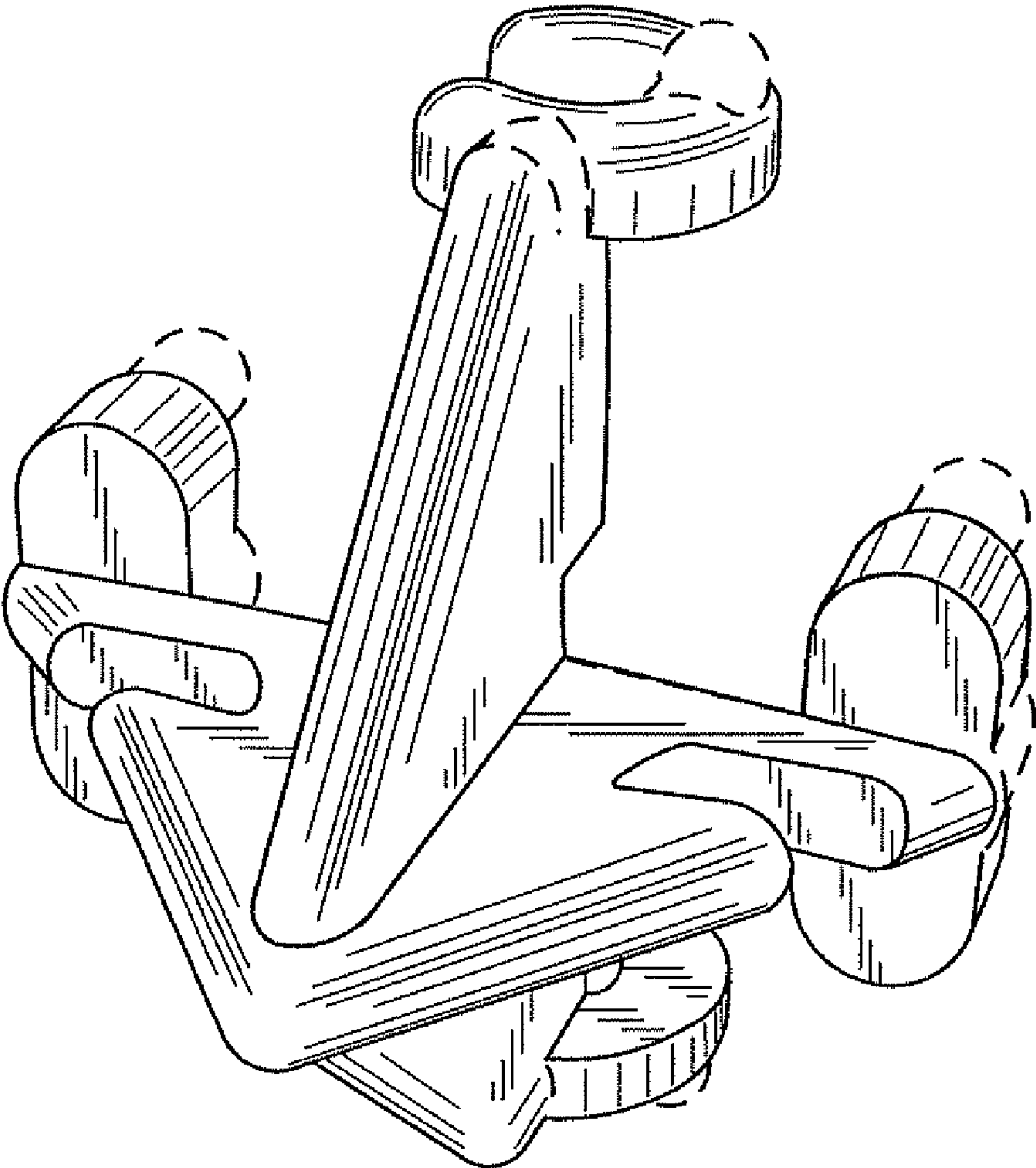


Fig. 1

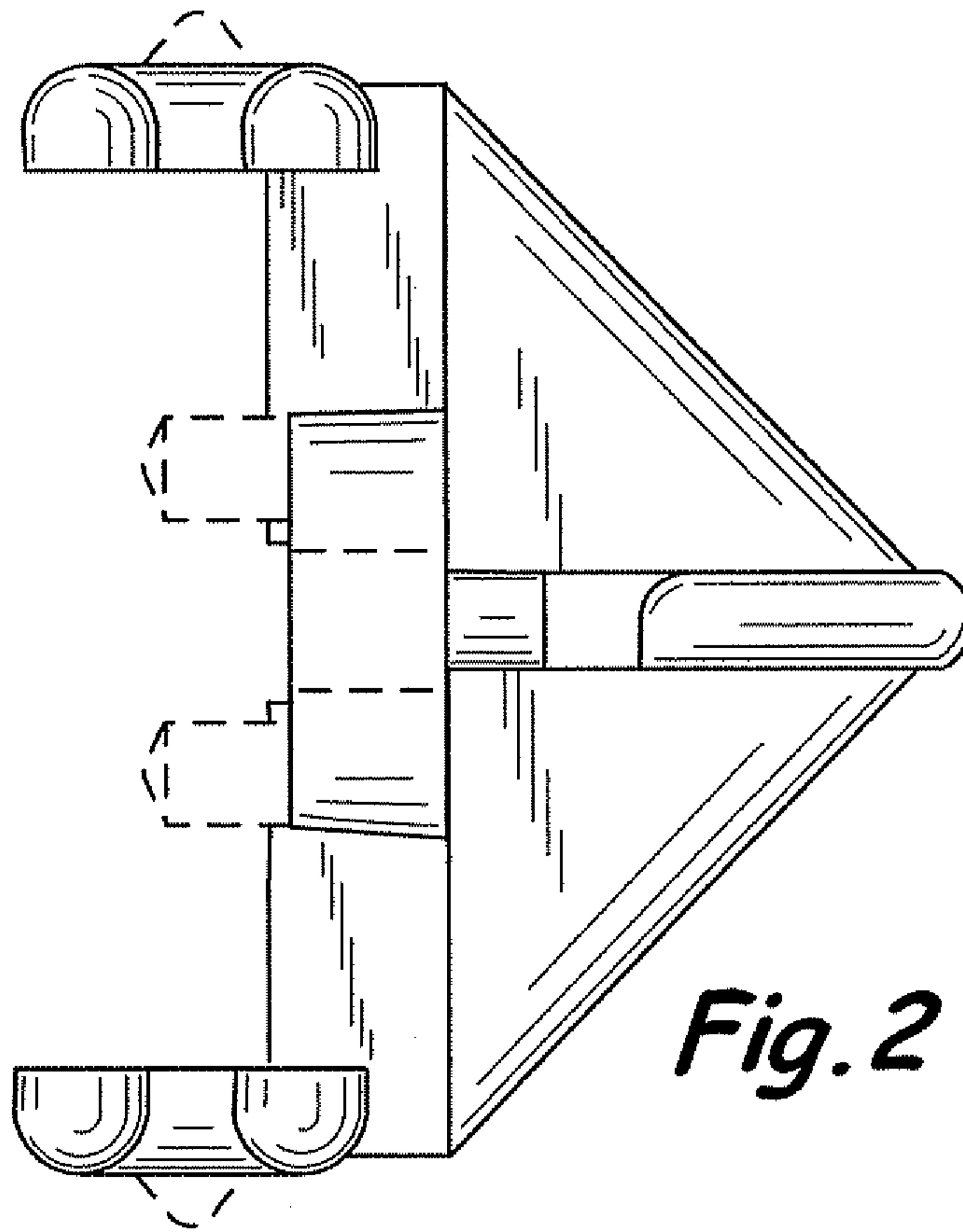


Fig. 2

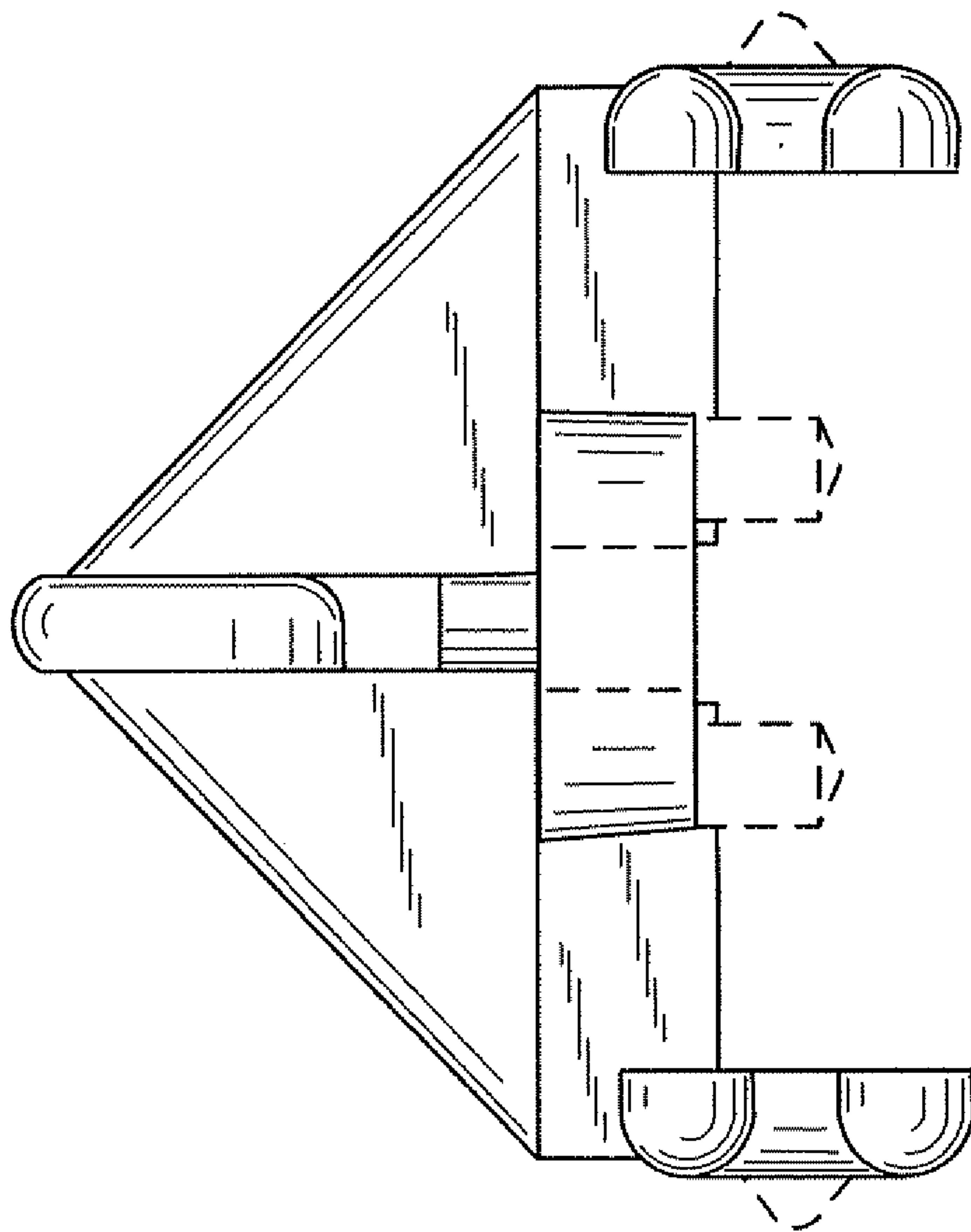


Fig. 3

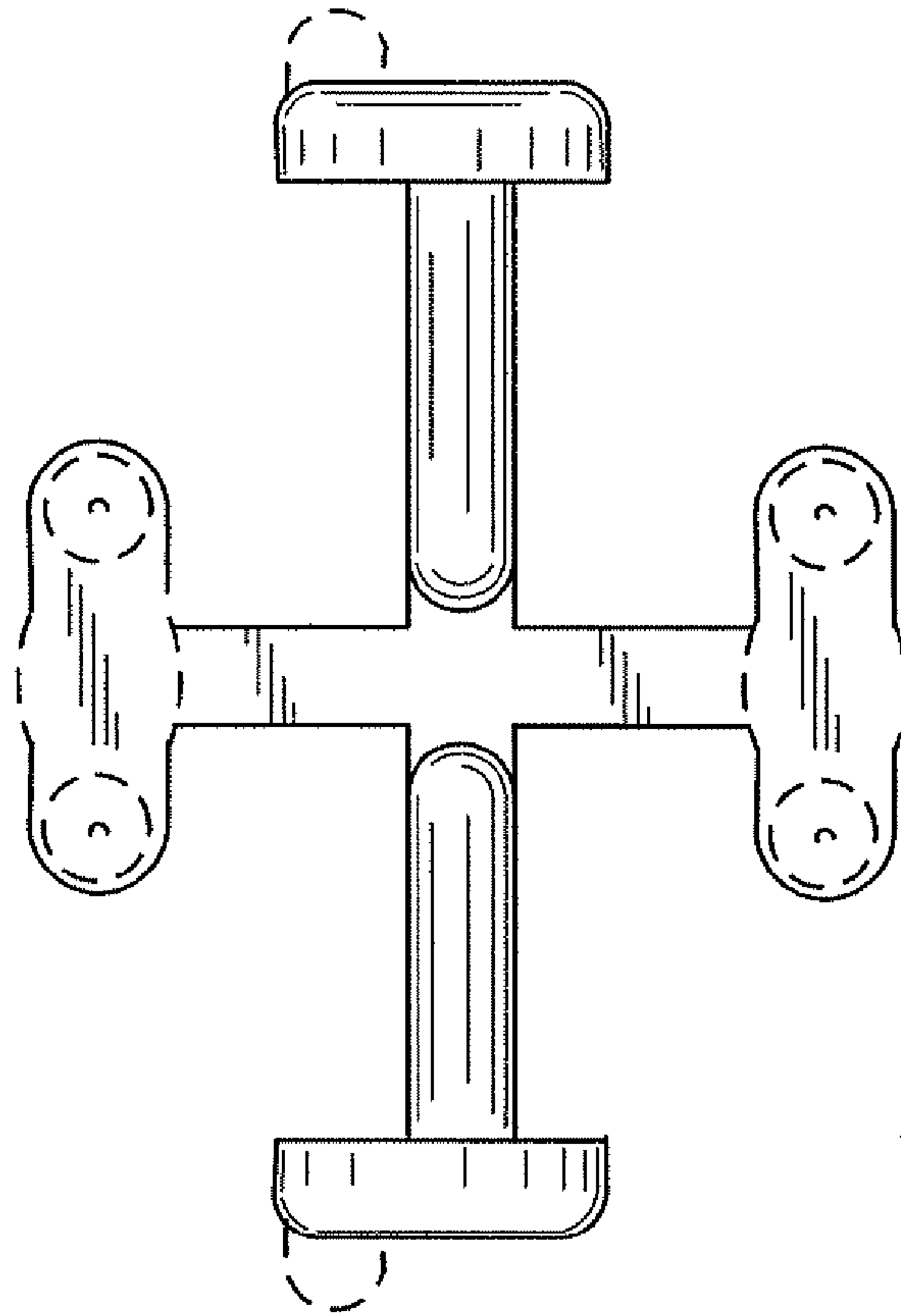


Fig. 4

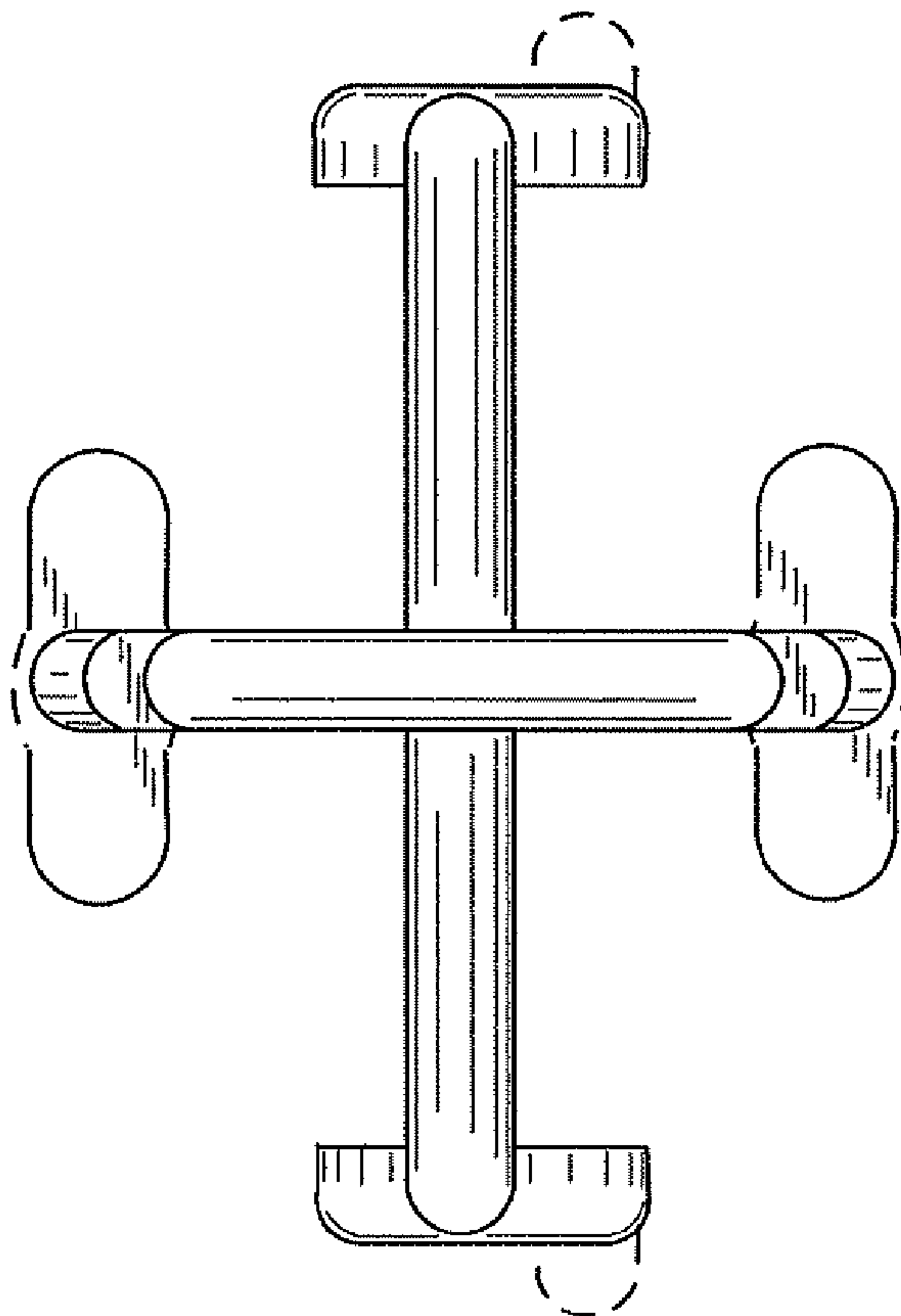


Fig. 5

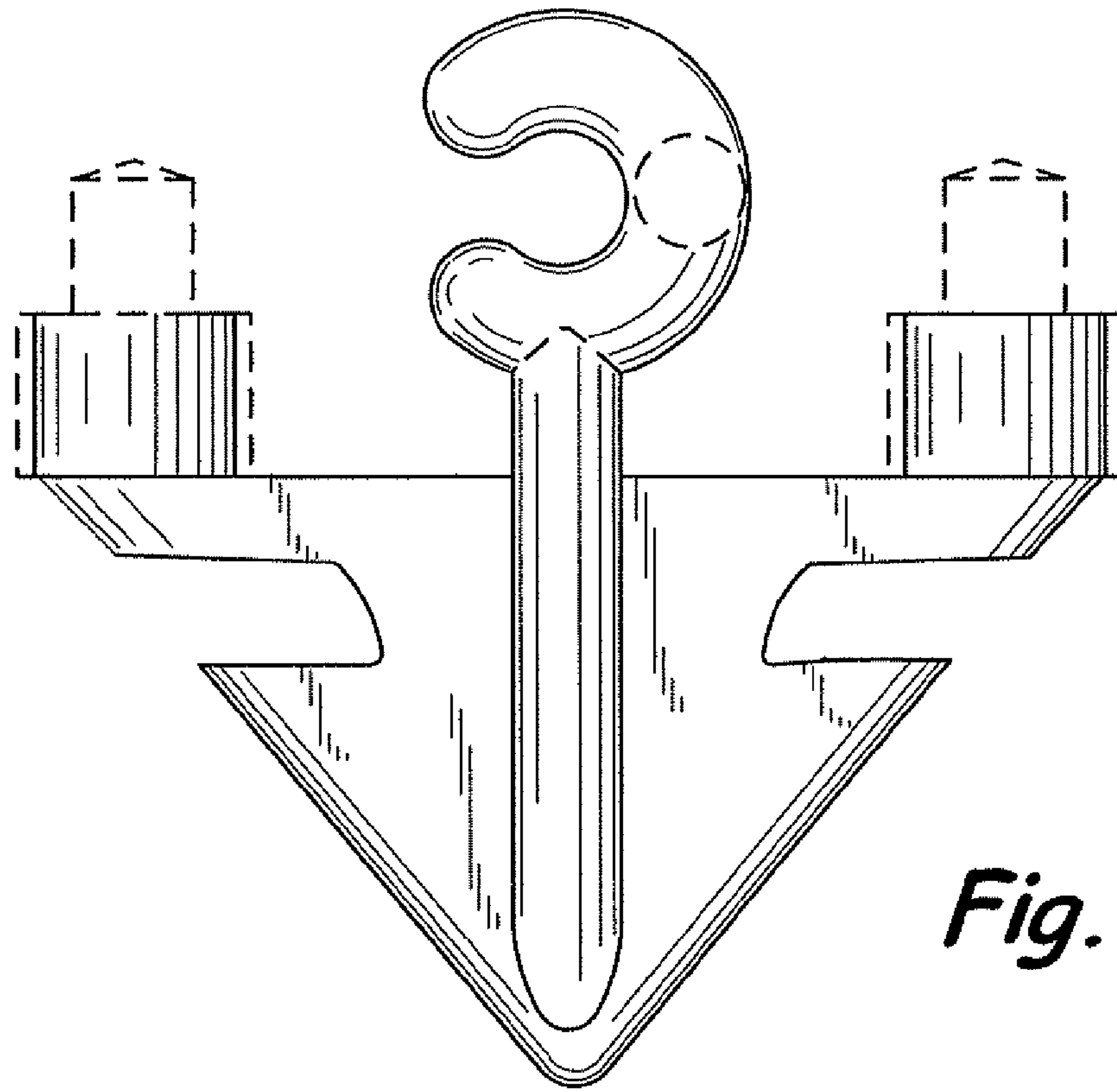


Fig. 6

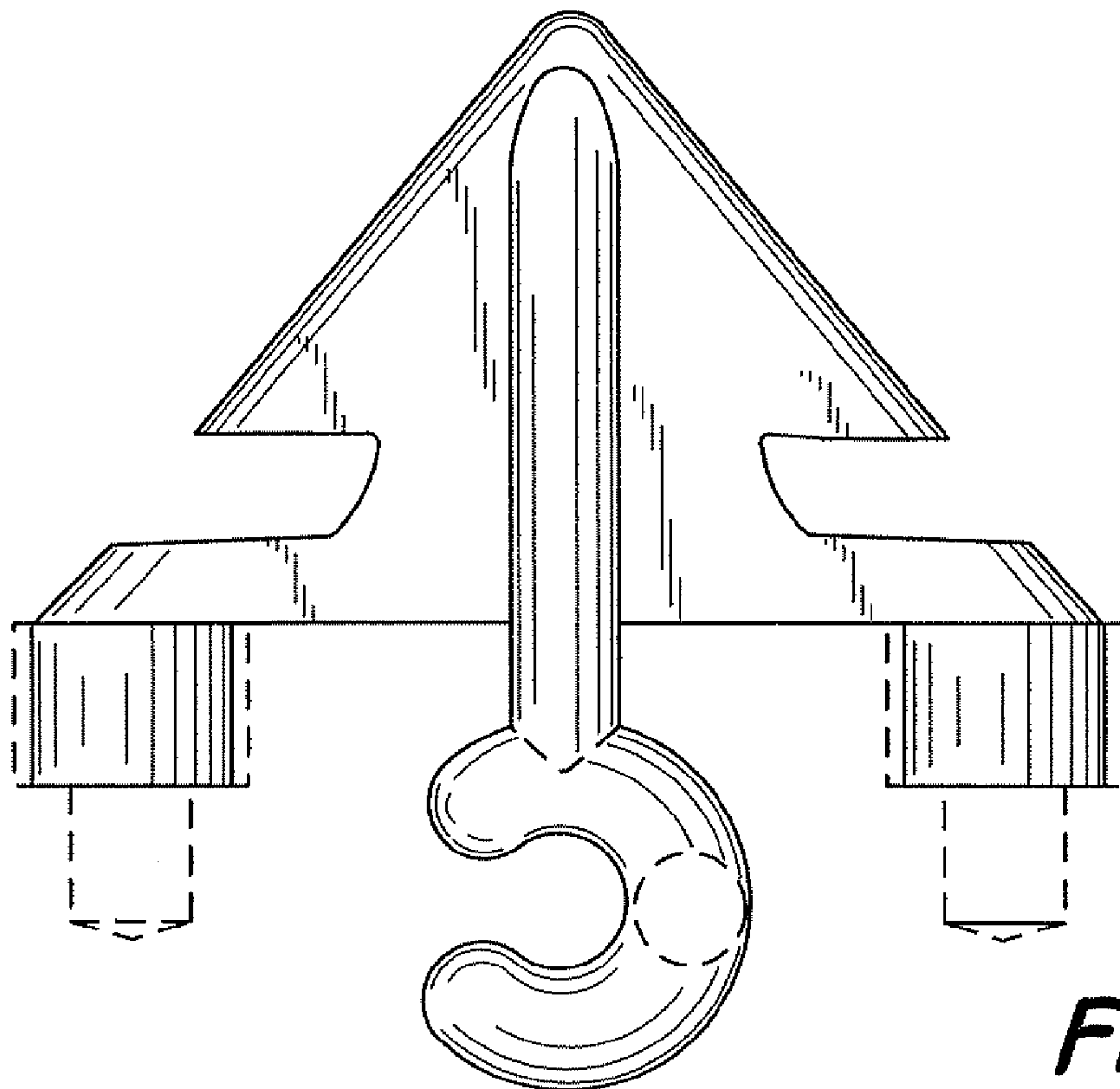


Fig. 7

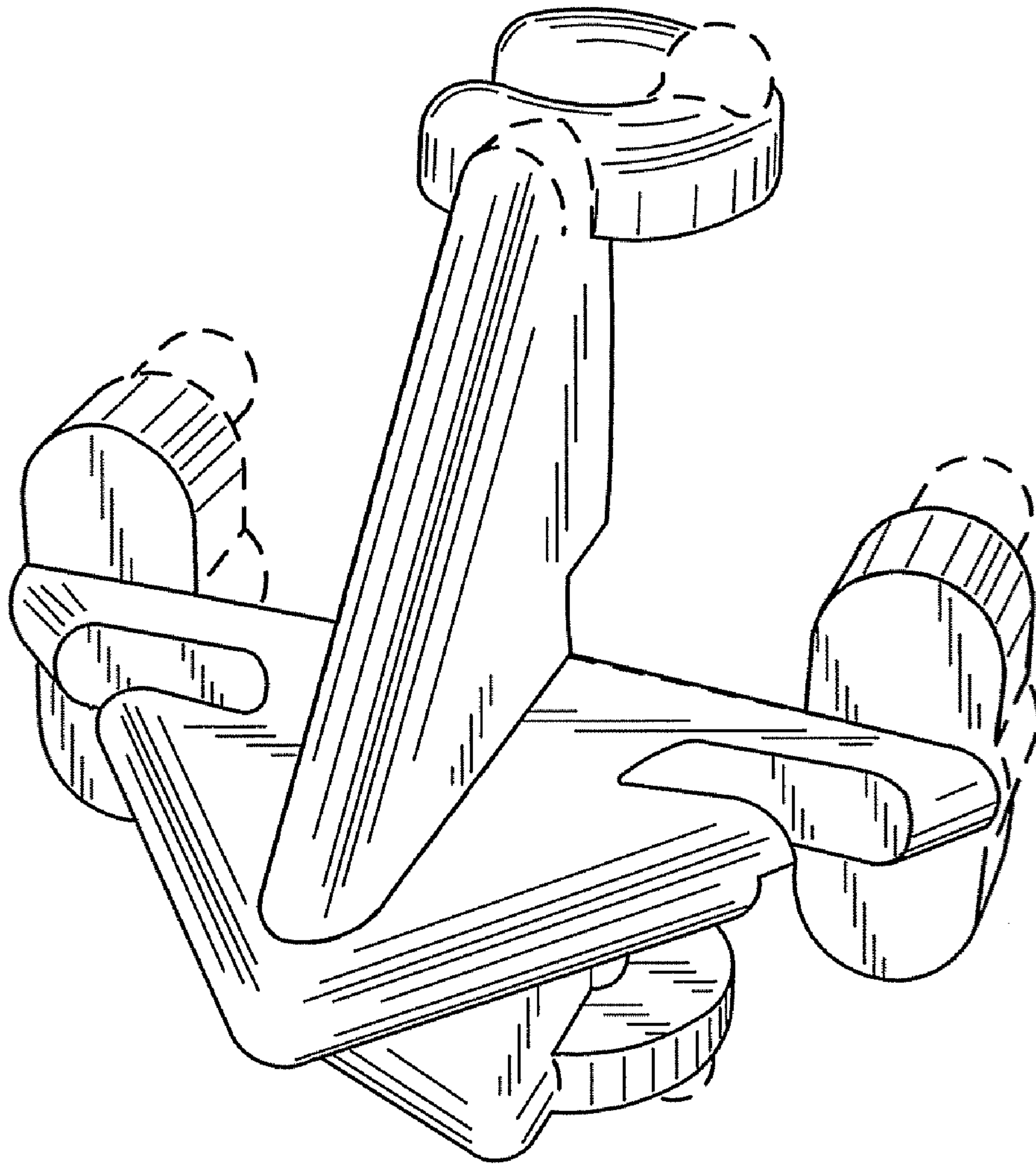


Fig. 8

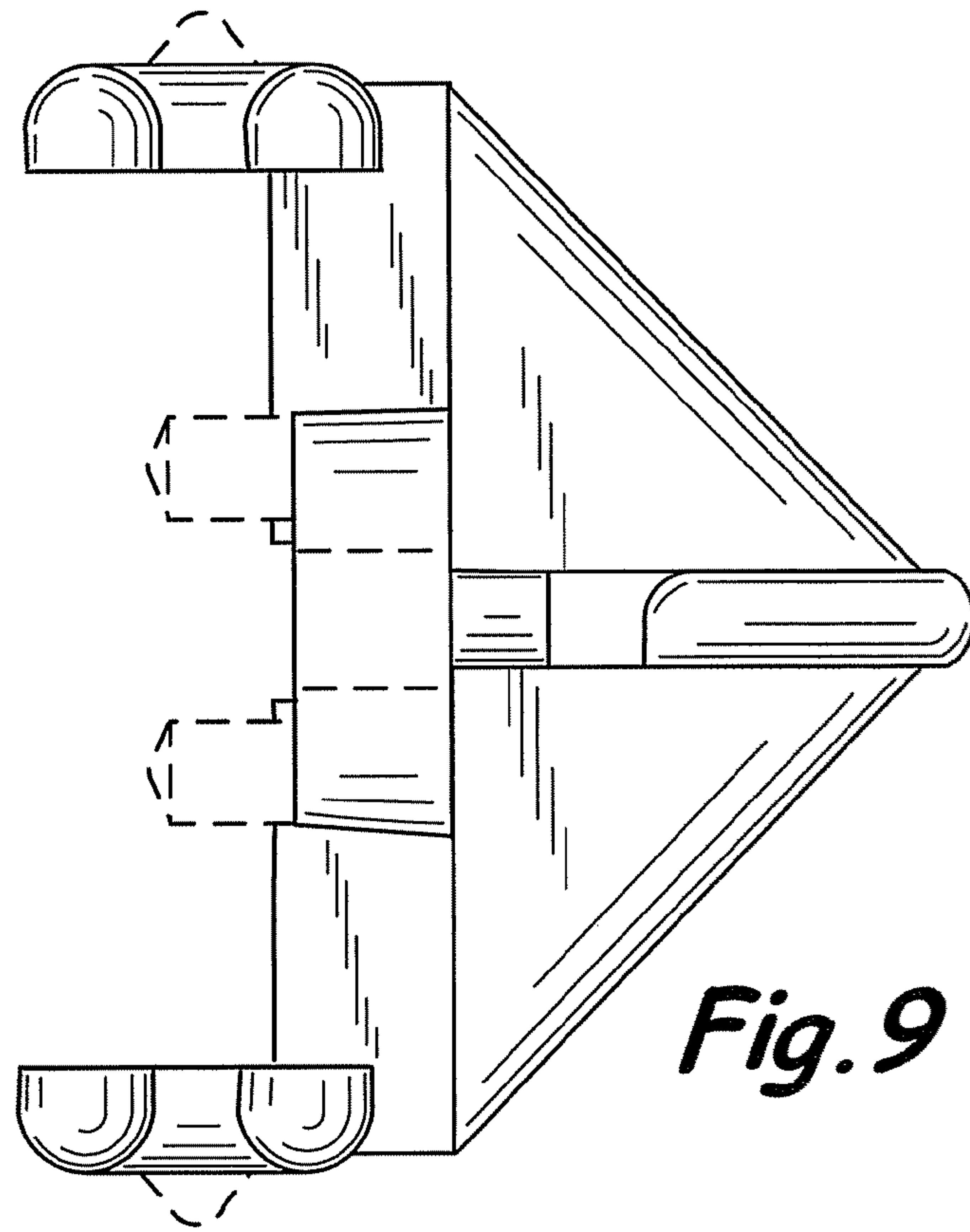


Fig. 9

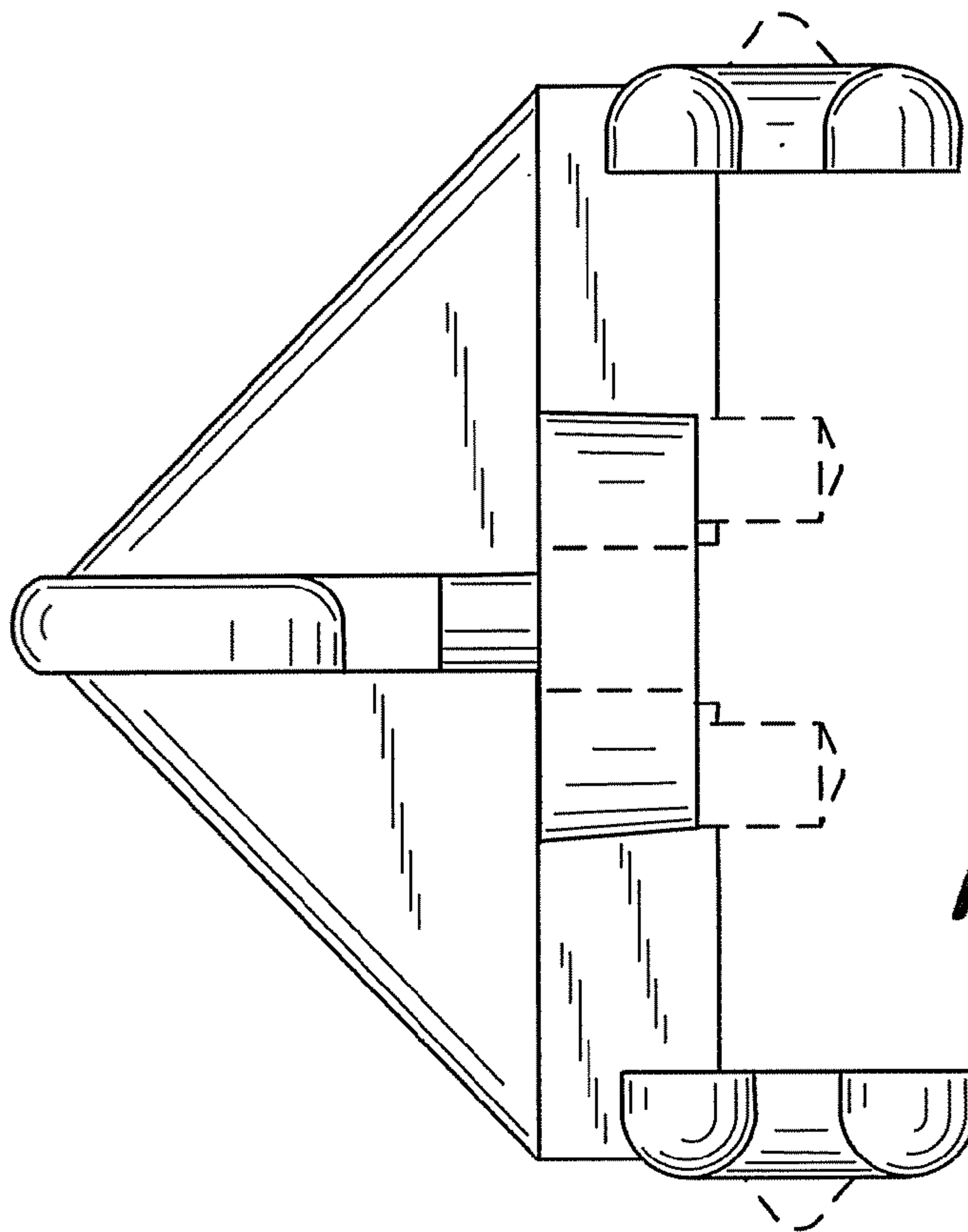


Fig. 10

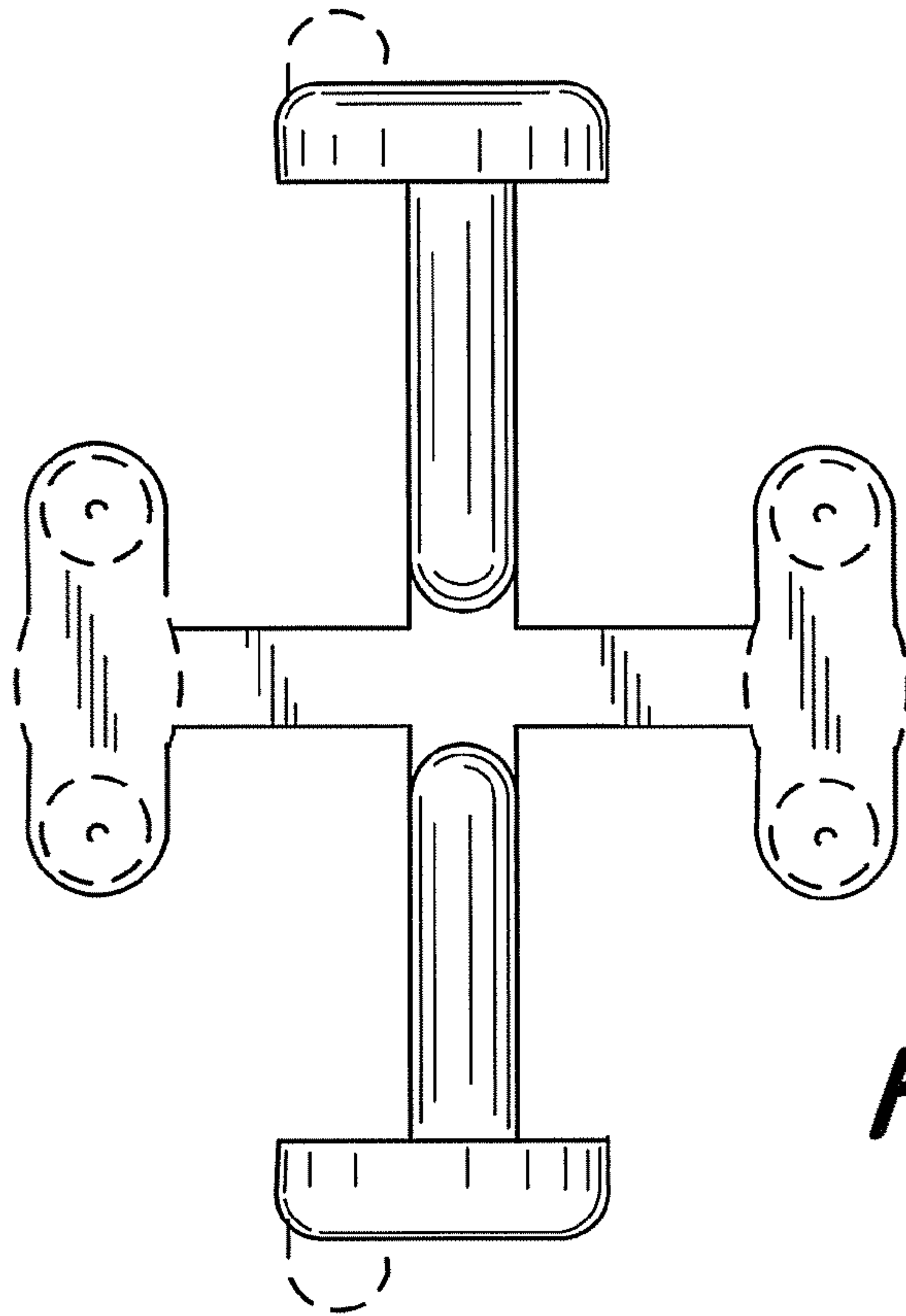


Fig. 11

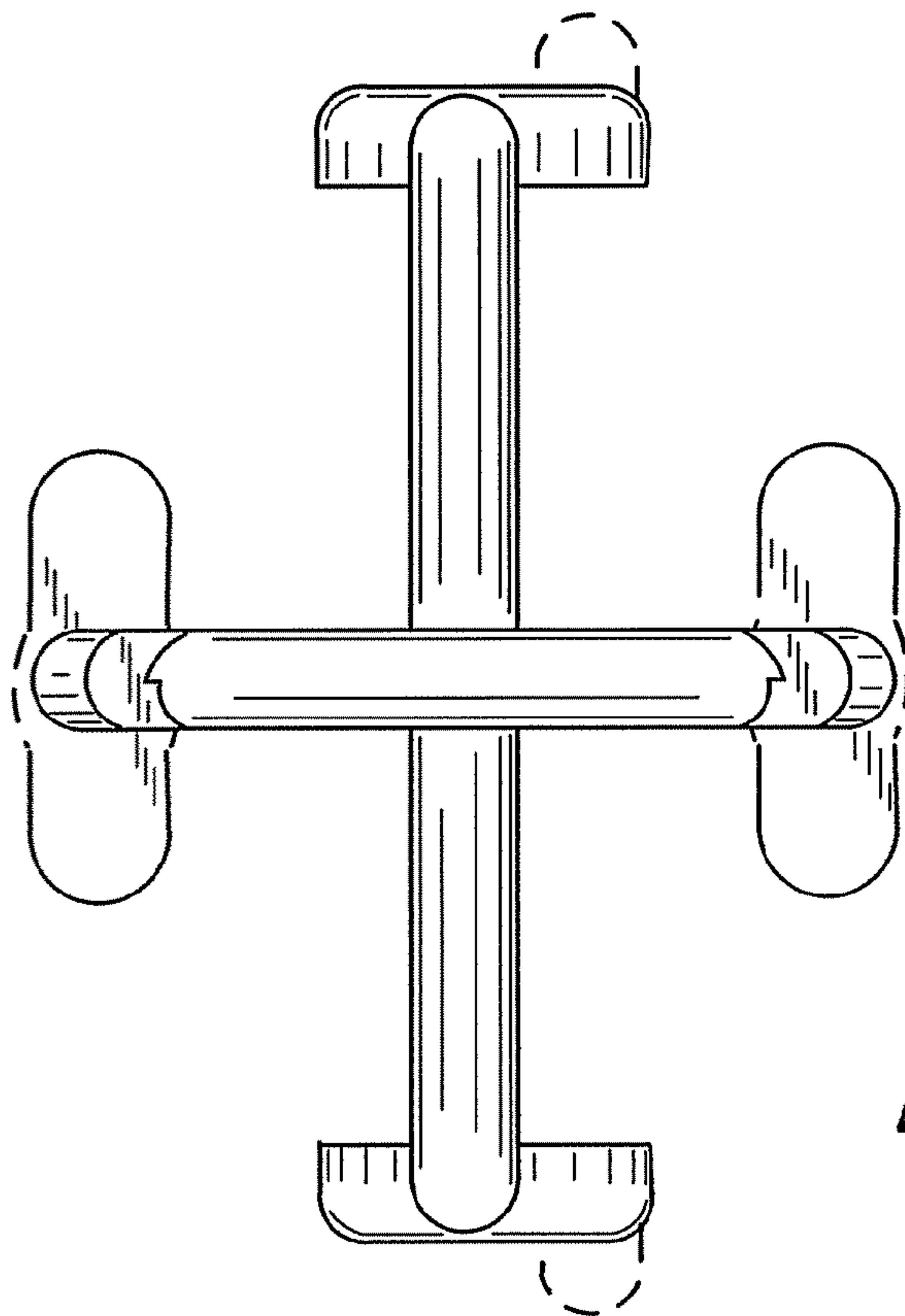


Fig. 12

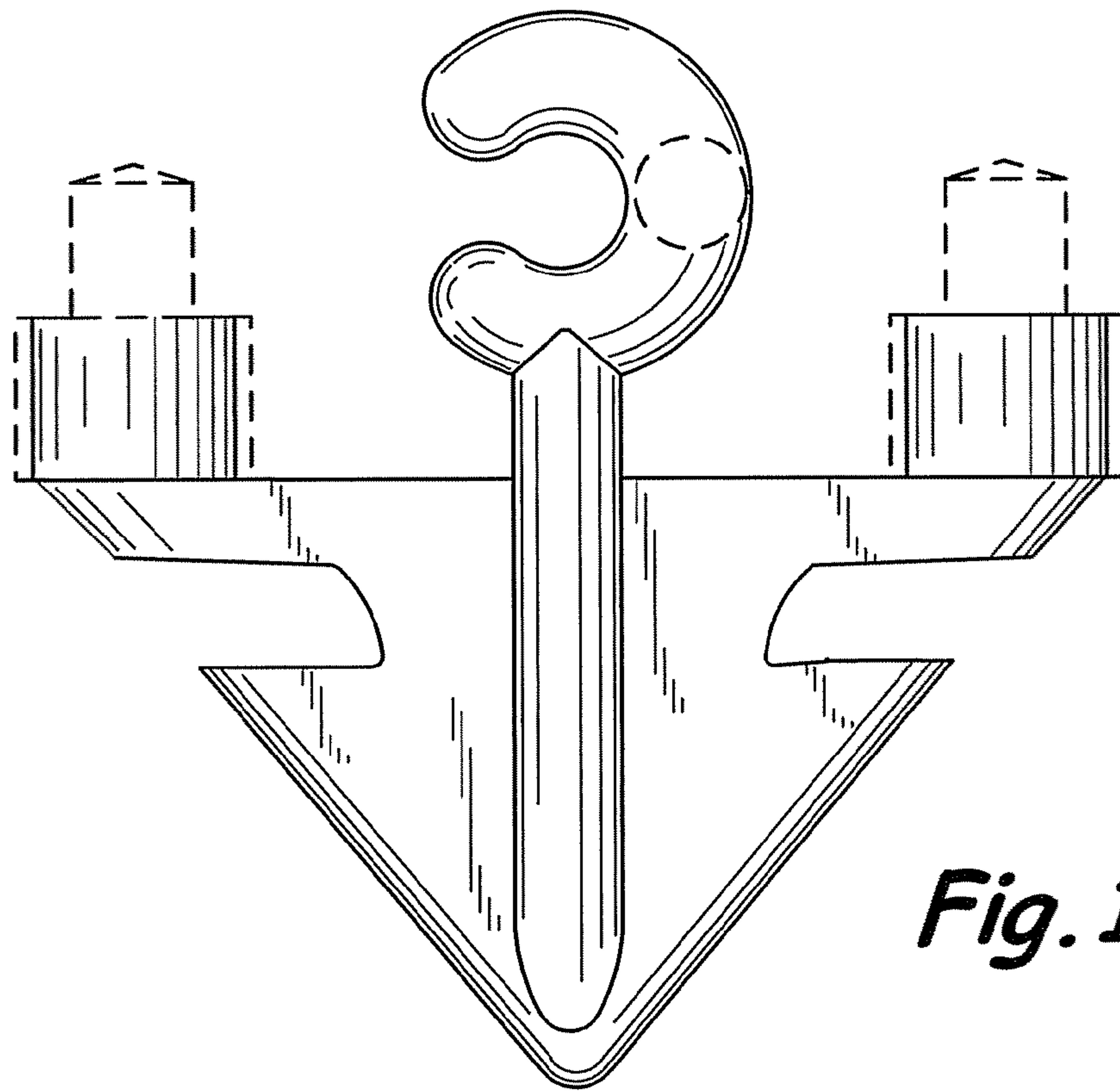


Fig. 13

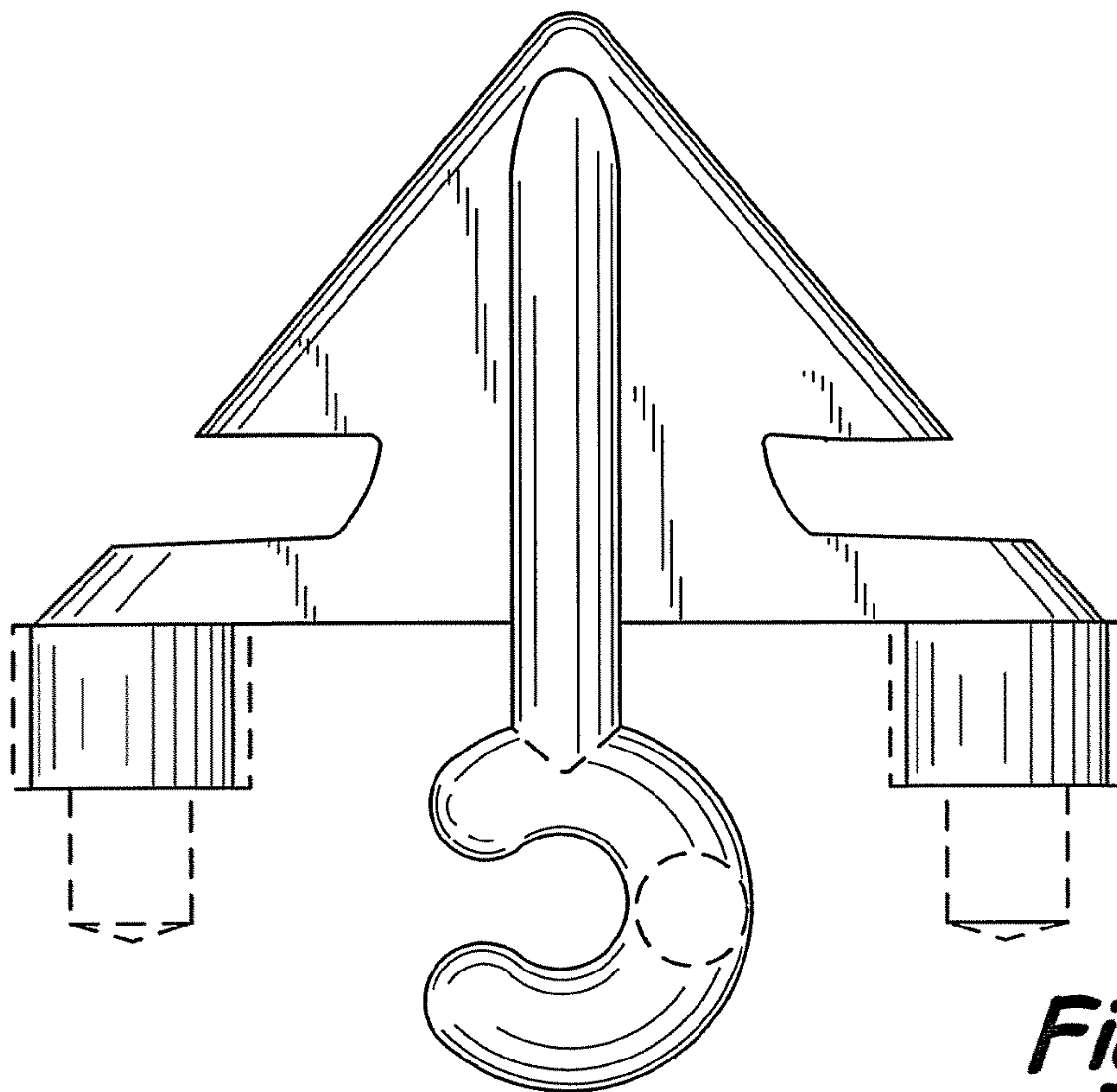


Fig. 14