



US00D608179S

(12) **United States Design Patent**  
**Tejszerski**

(10) **Patent No.:** **US D608,179 S**

(45) **Date of Patent:** **\*\* Jan. 19, 2010**

(54) **HINGE**

(75) Inventor: **Filip Tejszerski**, Newport (AU)

(73) Assignee: **D & D Group Pty Ltd**, Frenchs Forest (AU)

(\*\*) Term: **14 Years**

(21) Appl. No.: **29/327,656**

(22) Filed: **Nov. 11, 2008**

(51) **LOC (9) Cl.** ..... **08-06**

(52) **U.S. Cl.** ..... **D8/327**

(58) **Field of Classification Search** ..... D8/323,  
D8/330, 327, 328, 499; D3/324; 16/334,  
16/263, 312, 285, 380, 382, 392, 356, 225,  
16/229, 355, 326, 391; 105/280; 126/194;  
606/130; 399/57; 200/61.7; 439/31; 455/575.3;  
74/469

See application file for complete search history.

(56) **References Cited**

**U.S. PATENT DOCUMENTS**

D23,506 S \* 7/1894 Hart ..... D8/327  
527,975 A \* 10/1894 Hart ..... 16/387  
929,646 A \* 8/1909 Andersonj ..... 16/337  
D42,055 S \* 12/1911 McKinney ..... D8/328

1,832,902 A \* 11/1931 Holbrook ..... 16/392  
D154,132 S \* 6/1949 Lounsbury ..... D8/329  
D174,177 S \* 3/1955 Grodt ..... D8/327  
D292,551 S \* 11/1987 Thomson ..... D8/327  
4,761,852 A \* 8/1988 Sauber ..... 16/237  
D348,209 S \* 6/1994 Chen ..... D8/331  
6,401,298 B1 \* 6/2002 Lenz ..... 16/335

\* cited by examiner

*Primary Examiner*—Robert M Spear

*Assistant Examiner*—Cynthia Underwood

(74) *Attorney, Agent, or Firm*—Kelly Lowry & Kelley, LLP

(57) **CLAIM**

The ornamental design for a hinge, as shown.

**DESCRIPTION**

FIG. 1 is a front isometric view of a hinge embodying my new design;

FIG. 2 is a plan view thereof;

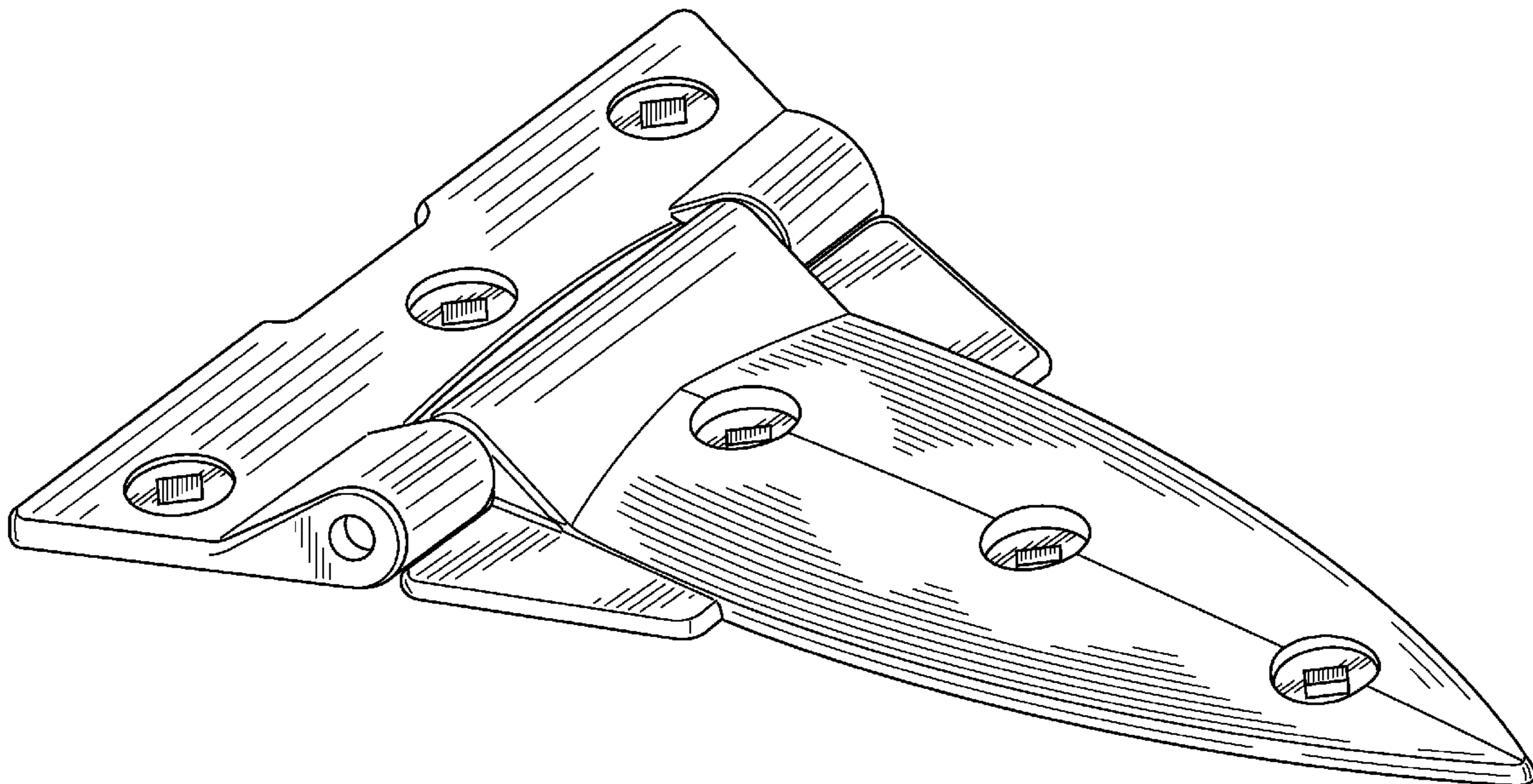
FIG. 3 is an inverted plan view thereof;

FIG. 4 is a side view thereof;

FIG. 5 is an end view from the hinge end; and,

FIG. 6 is an end view from the opposite end.

**1 Claim, 5 Drawing Sheets**



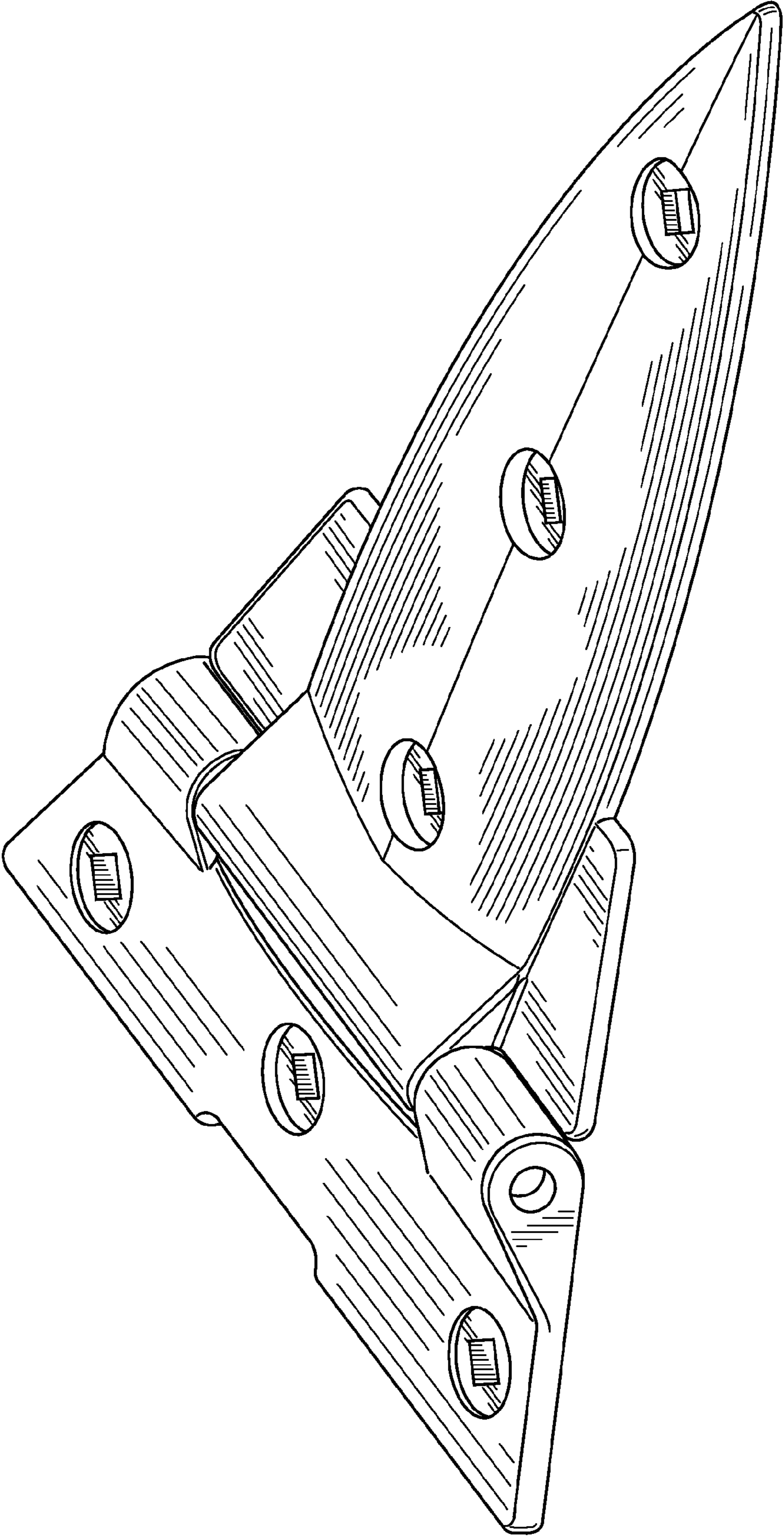


FIG. 1

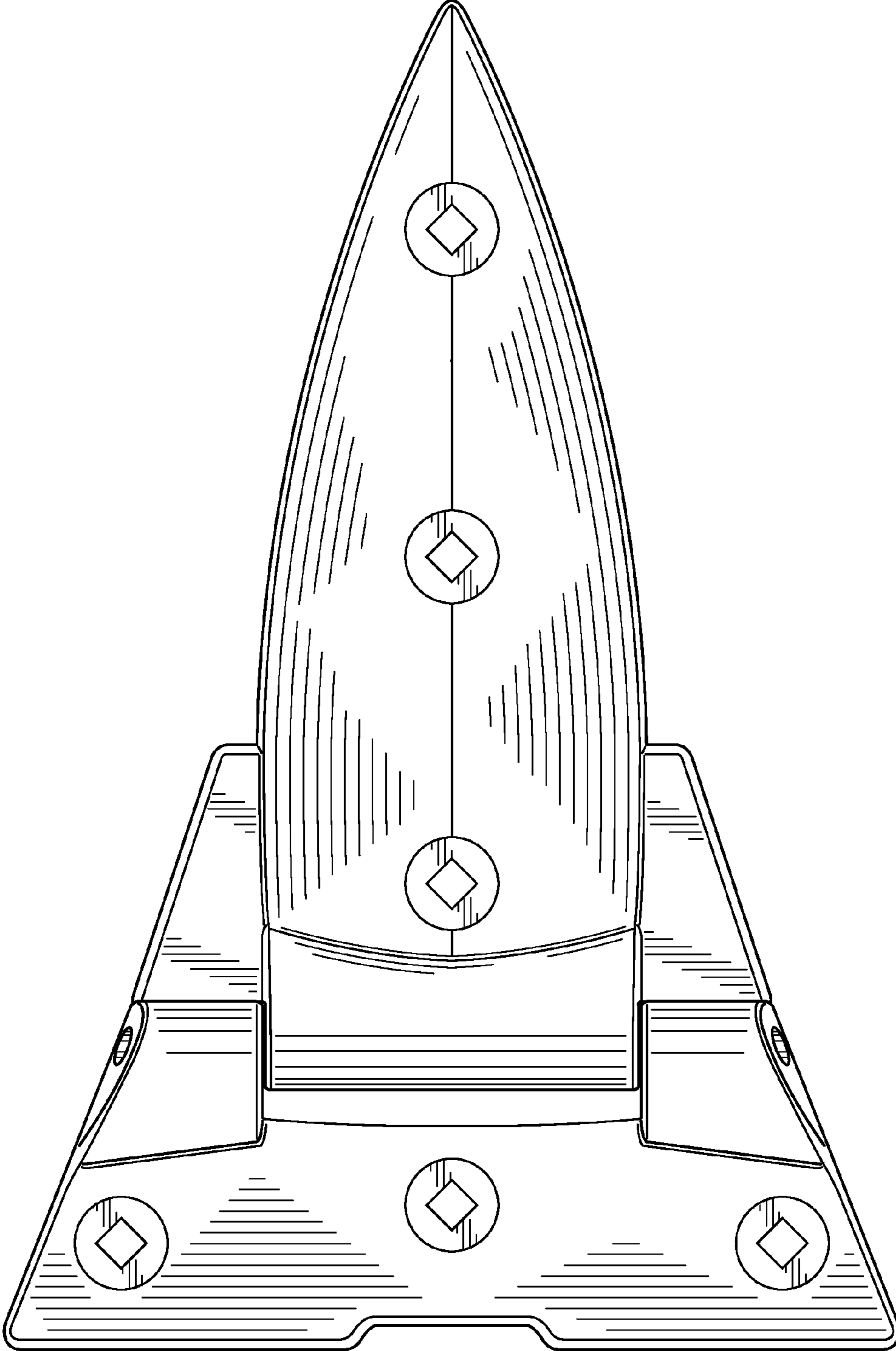


FIG. 2

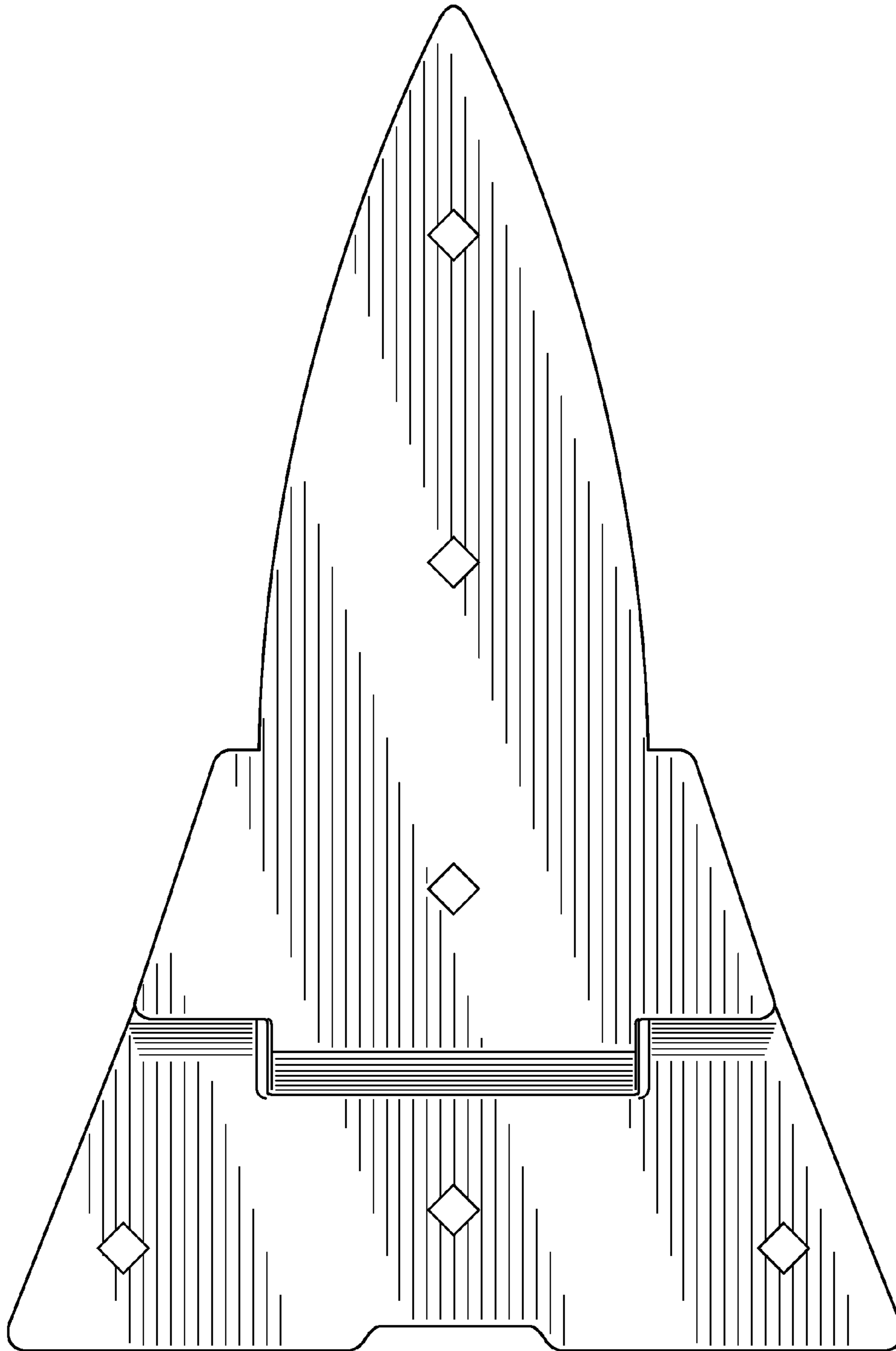


FIG. 3

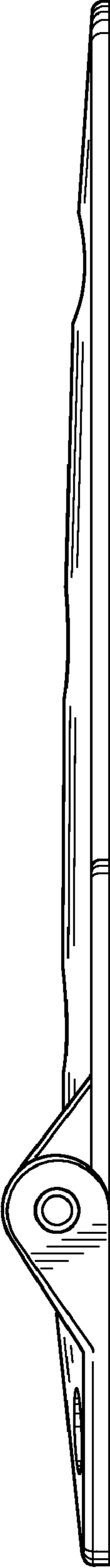


FIG. 4

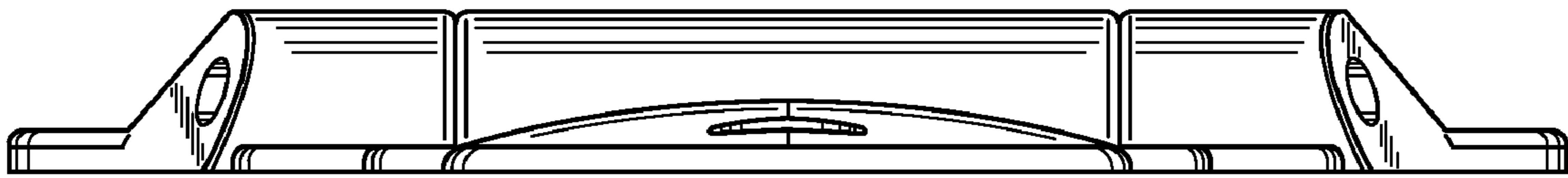


FIG. 5

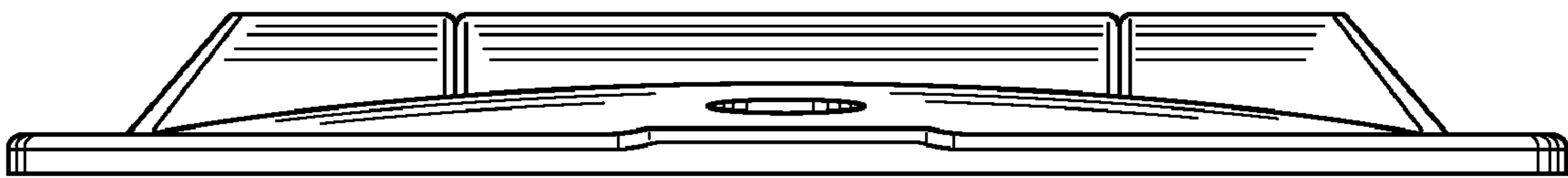


FIG. 6