



US00D608177S

(12) **United States Design Patent**
Perlman

(10) **Patent No.:** **US D608,177 S**
(45) **Date of Patent:** **** Jan. 19, 2010**

(54) **TOOL HANDLE FOR SURFACE-PREPARATION TOOL**

(75) Inventor: **Eric H. Perlman**, Weymouth, MA (US)

(73) Assignee: **Hyde Manufacturing Company**, Southbridge, MA (US)

(**) Term: **14 Years**

(21) Appl. No.: **29/315,409**

(22) Filed: **Jun. 23, 2009**

(51) **LOC (9) Cl.** **08-05**

(52) **U.S. Cl.** **D8/107**

(58) **Field of Classification Search** D8/20–29, D8/55, 61, 93, 98–100, 102–107, 300, 301, D8/303, 307, 310, 312, 319–320, 376–378, D8/400–499; D4/132–138; D7/393, 395, D7/401.1, 401.2, 649, 695; D22/104, 118, D22/207; D24/207; D6/524; D26/154; D9/443; 15/143.1, 159.1, 160, 168, 175, 15/194.1, 192; 81/177.1–177.9, 489, 3.2, 81/436, 439–440, 60–63.2, 477, 479, 52; 16/427, 422, 436, 110.1, 421, 430–431, 429, 16/441, 124.6, 414, 417, DIG. 12, DIG. 18, 16/DIG. 19; 73/862.23; 30/164.5, 151–162; 211/87.01; 428/28

See application file for complete search history.

(56) **References Cited**

U.S. PATENT DOCUMENTS

5,956,799 A * 9/1999 Panaccione et al. 15/236.01
D462,251 S * 9/2002 Collins et al. D8/107

(Continued)

Primary Examiner—Cathron C Brooks

Assistant Examiner—Barbara Fox

(74) *Attorney, Agent, or Firm*—Louis J. Franco; Law Office of Louis J. Franco

(57) **CLAIM**

The ornamental design for a tool handle for surface-preparation tool, as shown and described.

DESCRIPTION

FIG. 1 is a right and front side perspective view of a first embodiment of a tool handle for surface-preparation tool showing the new design, the left and right sides being mirror images of one another and the front and back sides being mirror images of one another;

FIG. 2 is a right side elevational view of the tool handle for surface-preparation tool of FIG. 1;

FIG. 3 is a front side view of the tool handle for surface-preparation tool of FIG. 1, the front and back sides being mirror images of one another;

FIG. 4 is a front end view of the tool handle for surface-preparation tool of FIG. 1;

FIG. 5 is rear end view of the tool handle for surface-preparation tool of FIG. 1;

FIG. 6 is a right and front side perspective view of a second embodiment of a tool handle for surface-preparation tool showing the new design, the left and right sides being mirror images of one another and the front and back sides being mirror images of one another;

FIG. 7 is a right side elevational view of the tool handle for surface-preparation tool of FIG. 6;

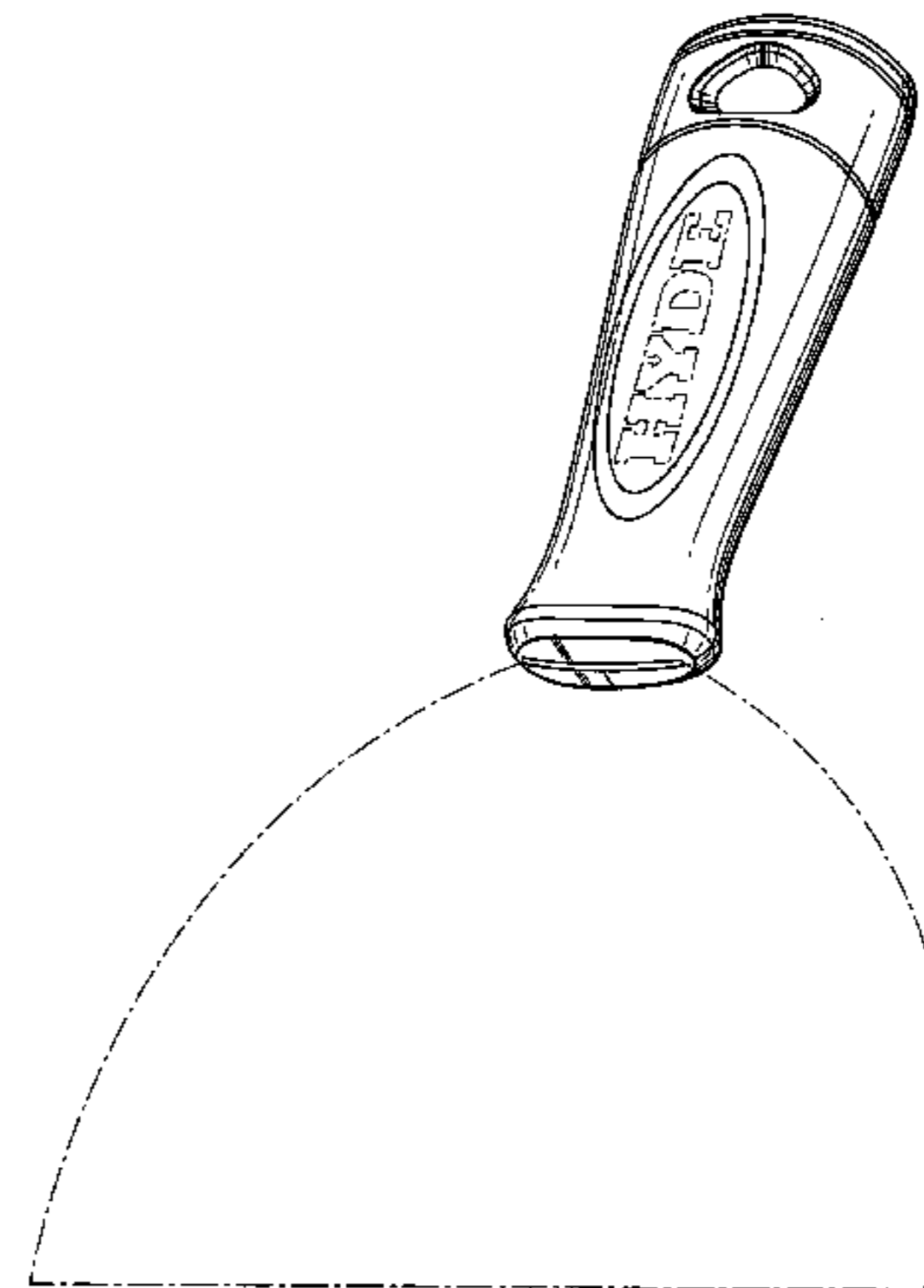
FIG. 8 is a front side view of the tool handle for surface-preparation tool of FIG. 6, the front and back sides being mirror images of one another;

FIG. 9 is a front end view of the tool handle for surface-preparation tool of FIG. 6; and,

FIG. 10 is rear end view of the tool handle for surface-preparation tool of FIG. 6.

The broken lines shown in the drawings are for the purpose of illustrating unclaimed portions of the tool handle for surface-preparation tool and form no part of the claimed design.

1 Claim, 8 Drawing Sheets



US D608,177 S

Page 2

U.S. PATENT DOCUMENTS

D486,046 S *	2/2004	Norton	D8/45	D569,215 S *	5/2008	Chiu	D8/107
D526,881 S *	8/2006	Holby	D8/107	D573,863 S *	7/2008	Arvinte et al.	D8/87
D535,541 S *	1/2007	Holby	D8/107	D575,131 S *	8/2008	Cheng	D8/107
D551,053 S *	9/2007	Bruno et al.	D8/107	7,509,893 B2 *	3/2009	Wu	81/177.8
D551,925 S *	10/2007	Liao	D8/25	2005/0279194 A1 *	12/2005	Chen	81/177.4
D562,652 S *	2/2008	Liao	D8/25	2007/0113710 A1 *	5/2007	Chen	81/60

* cited by examiner

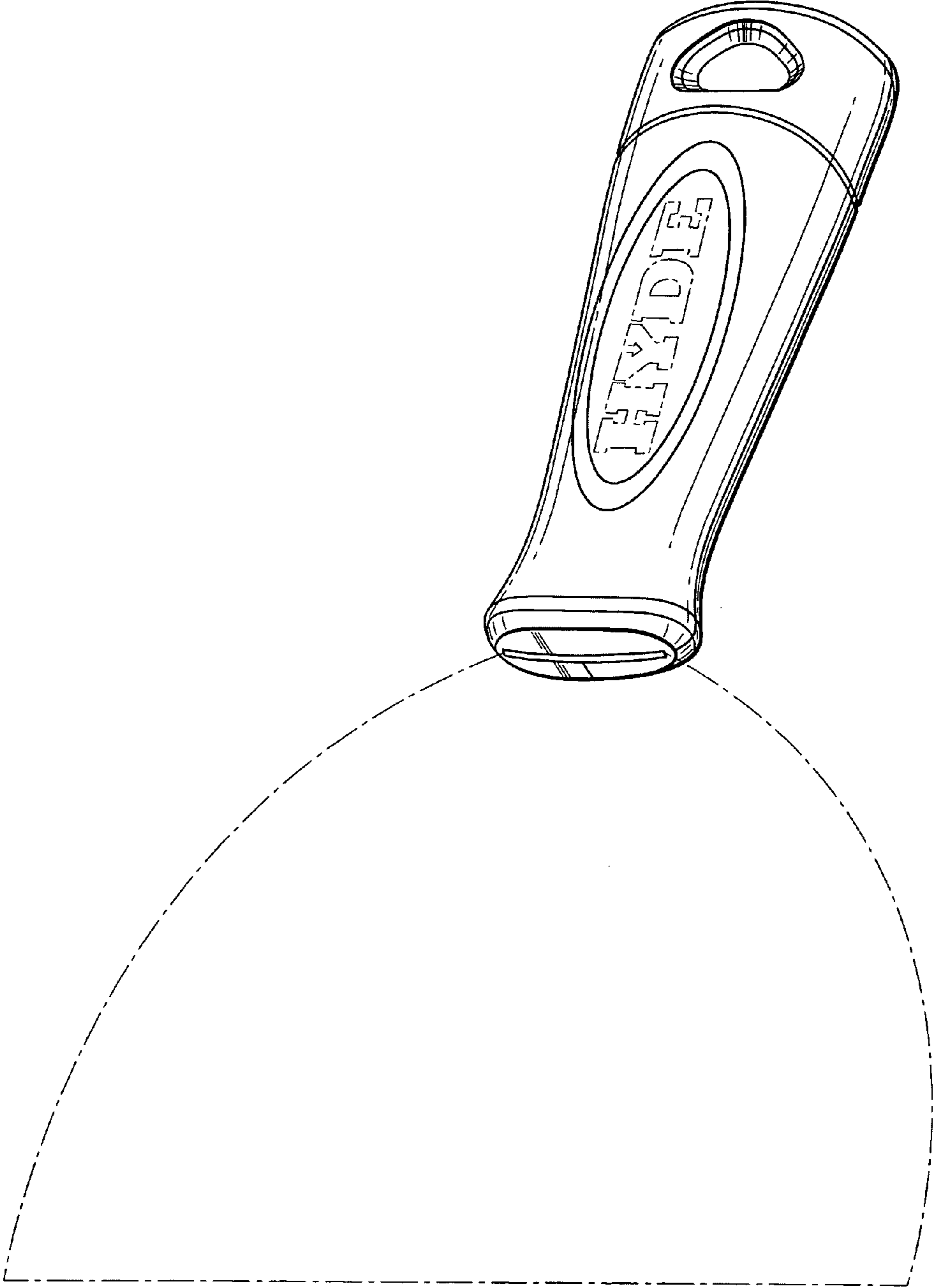


FIG. 1

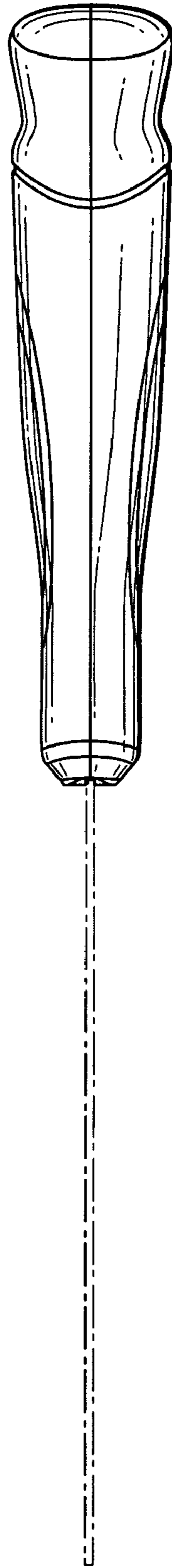


FIG. 2

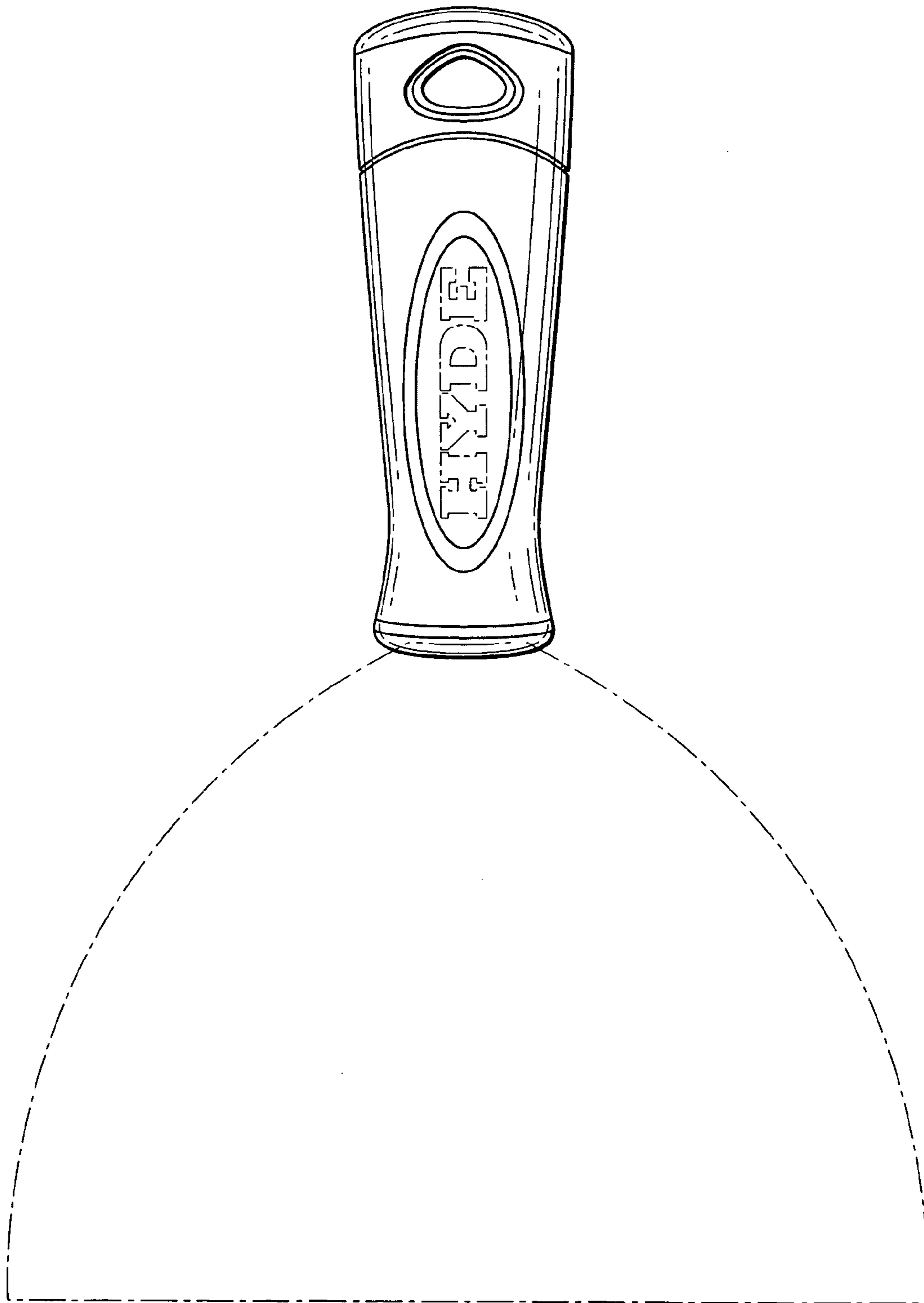


FIG. 3

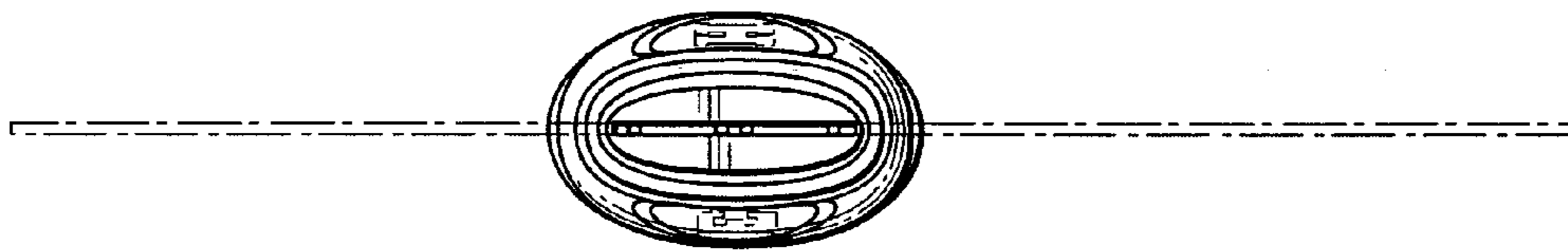


FIG. 4

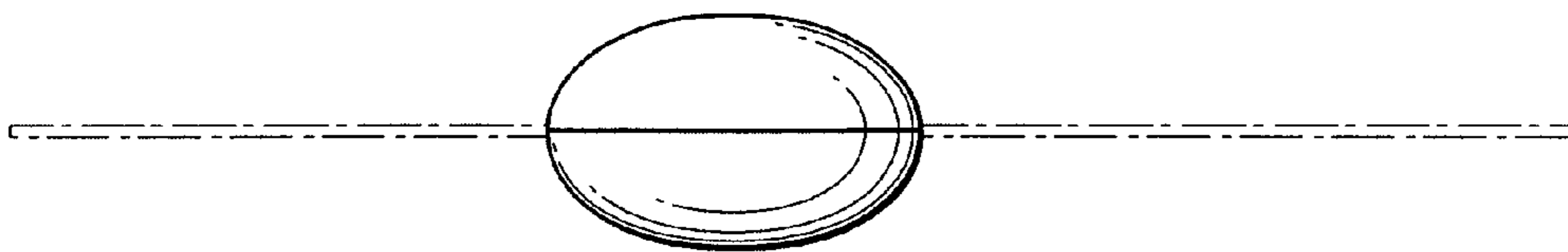


FIG. 5

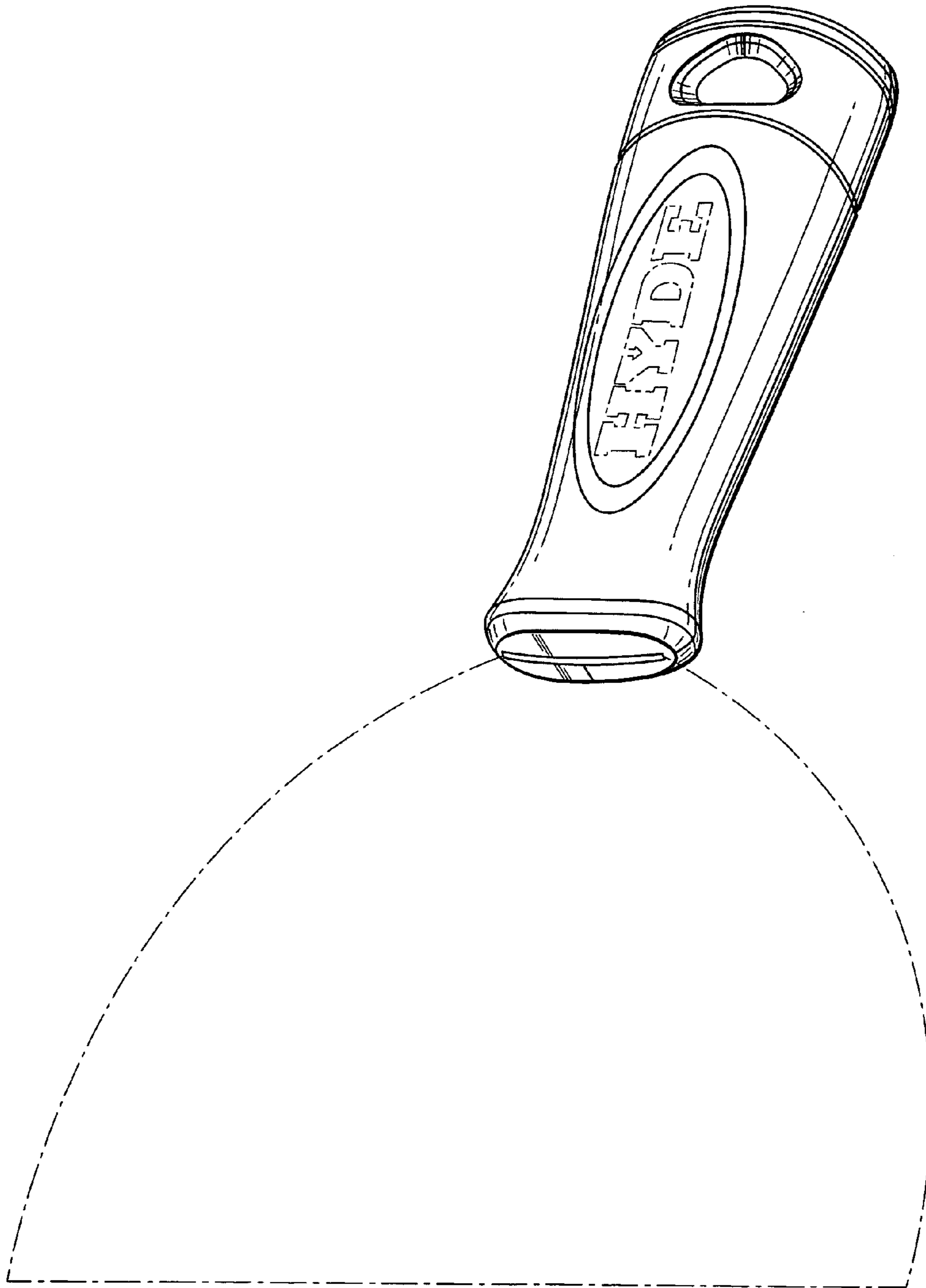


FIG. 6

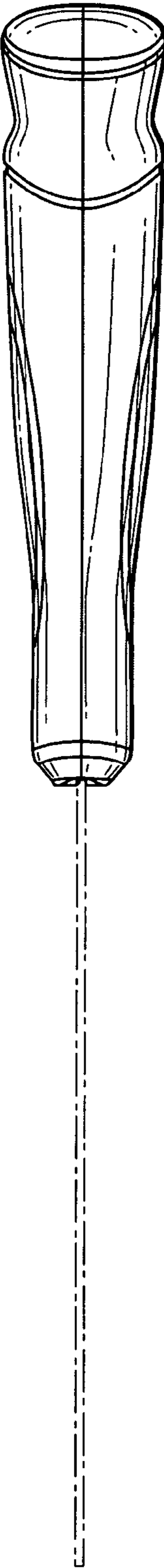


FIG. 7

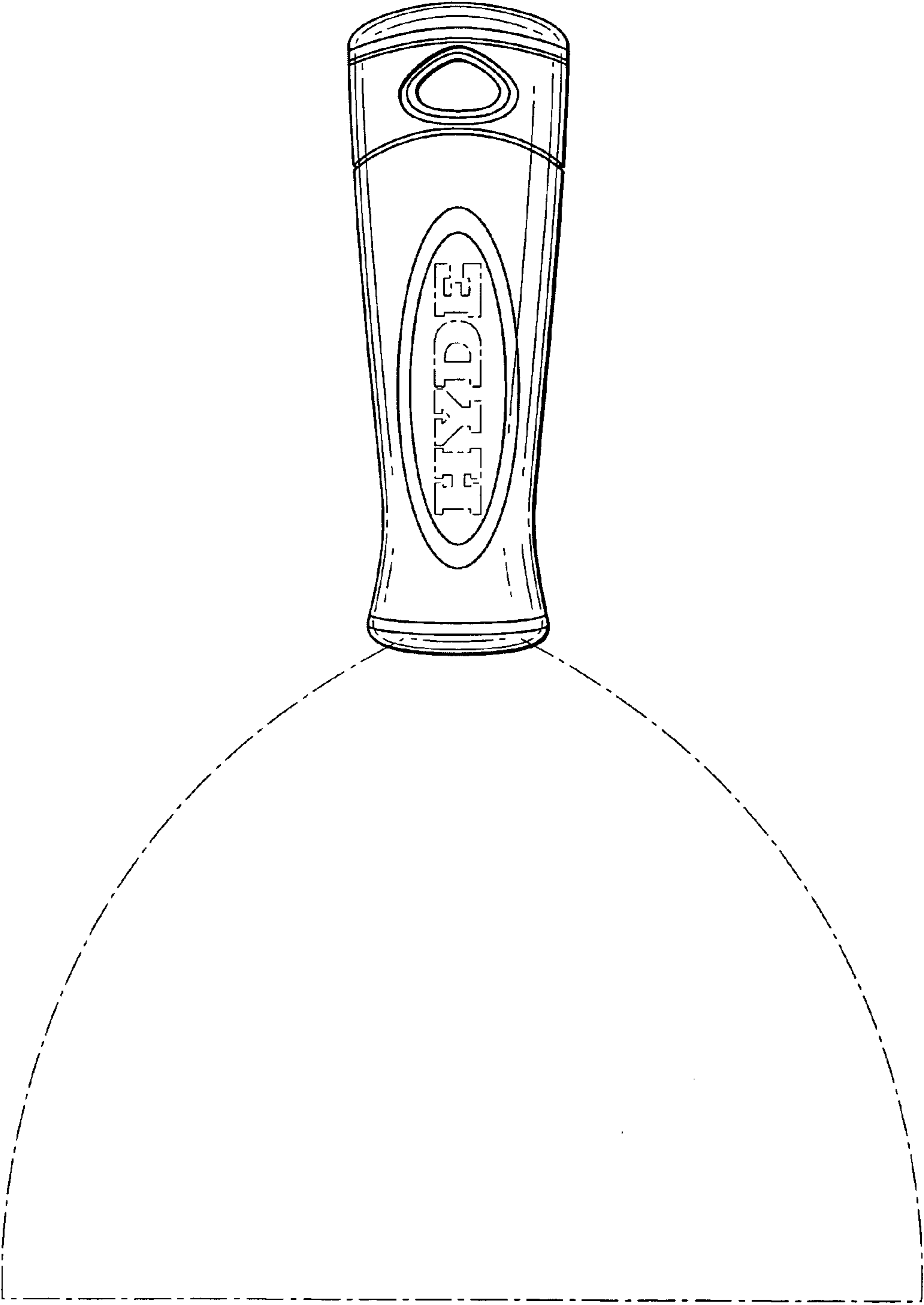


FIG. 8

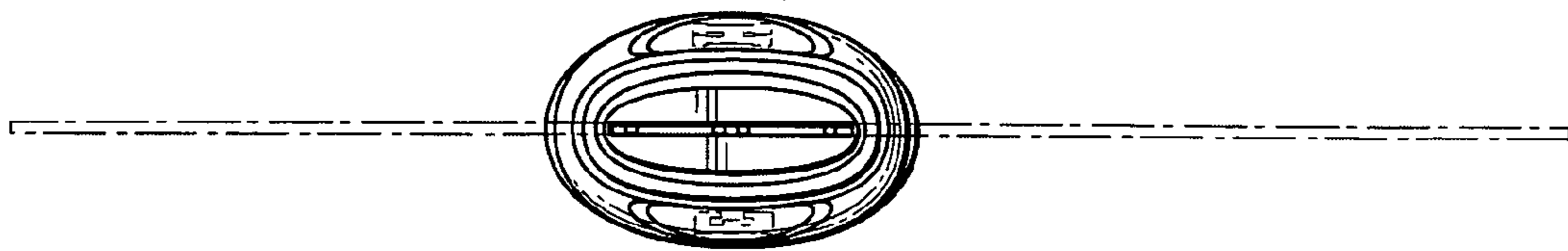


FIG. 9

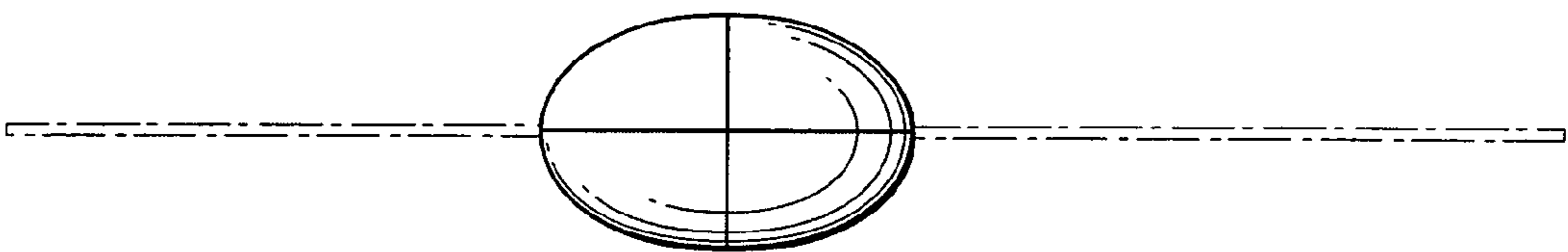


FIG. 10