



US00D608175S

(12) **United States Design Patent**
Netzler

(10) **Patent No.:** **US D608,175 S**
(45) **Date of Patent:** **** Jan. 19, 2010**

(54) **DRILL**

7,150,587 B2 * 12/2006 Dils et al. 408/16
D587,544 S * 3/2009 Lopano D8/68
D593,831 S * 6/2009 Van Wambeke et al. D8/68

(75) Inventor: **Sion Netzler**, Abingdon, MD (US)

(73) Assignee: **Black & Decker Inc.**, Newark, DE (US)

* cited by examiner

(**) Term: **14 Years**

Primary Examiner—Antoine D Davis

(21) Appl. No.: **29/328,972**

(74) *Attorney, Agent, or Firm*—Scott B. Markow

(22) Filed: **Dec. 5, 2008**

(57) **CLAIM**

(51) **LOC (9) Cl.** **08-01**

The ornamental design for a drill, as shown and described.

(52) **U.S. Cl.** **D8/68**

DESCRIPTION

(58) **Field of Classification Search** D8/14.1,
D8/61-70; 81/57.11, 429, 454-456, 469,
81/489; 173/13, 104, 114, 168-171, 178,
173/201, 211, 213, 217; 408/20, 124, 125,
408/234, 241 R; 451/358; 310/50; 227/8,
227/113, 114, 120, 130, 136, 142

FIG. 1 is a perspective view of the drill.

FIG. 2 is a front view thereof.

FIG. 3 is a rear view thereof.

FIG. 4 is a left view thereof.

FIG. 5 is a right view thereof.

FIG. 6 is a top view thereof; and,

FIG. 7 is a bottom view thereof.

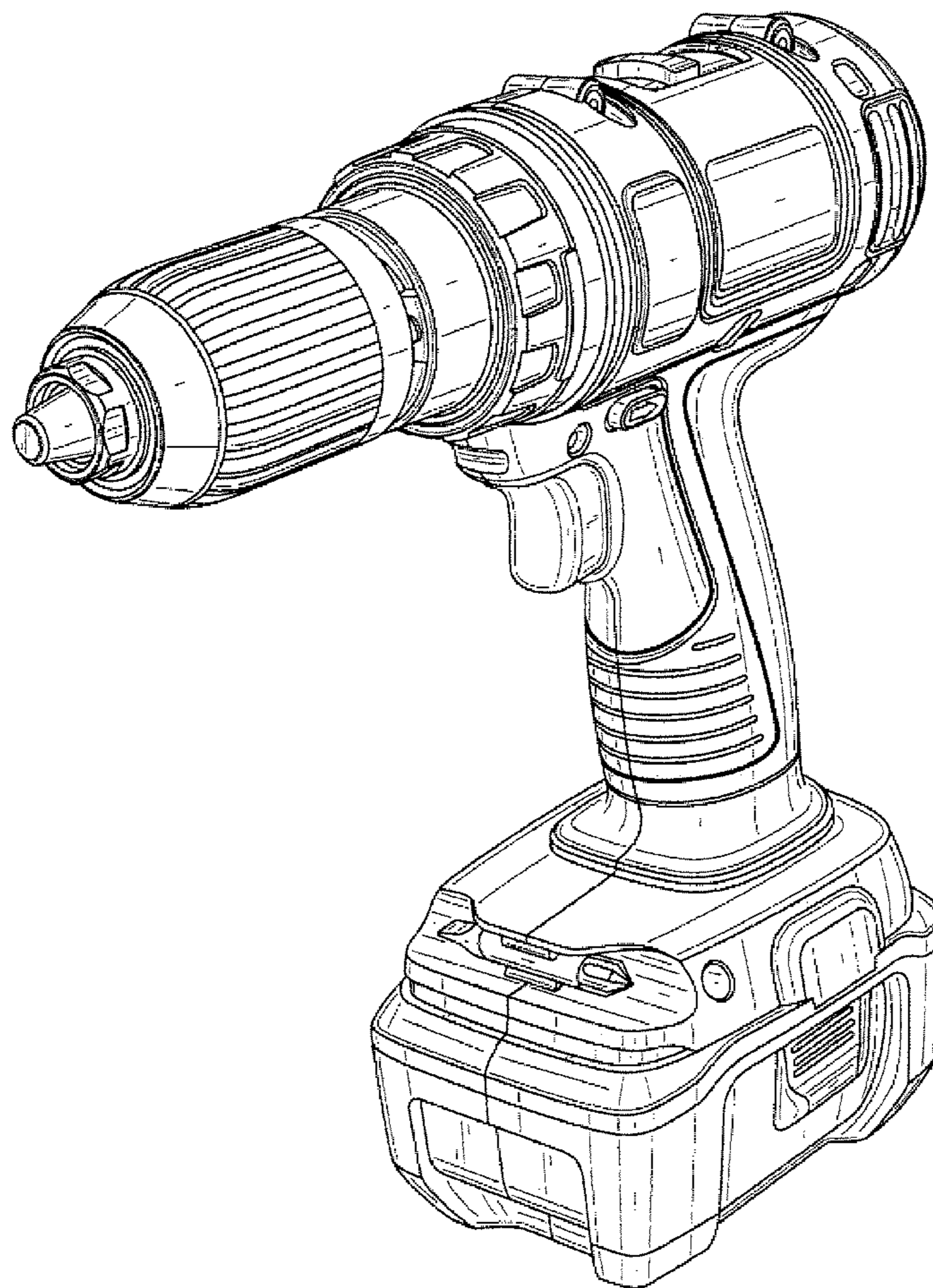
See application file for complete search history.

(56) **References Cited**

U.S. PATENT DOCUMENTS

6,796,921 B1 * 9/2004 Buck et al. 475/299
7,066,691 B2 * 6/2006 Doyle et al. 408/124

1 Claim, 7 Drawing Sheets



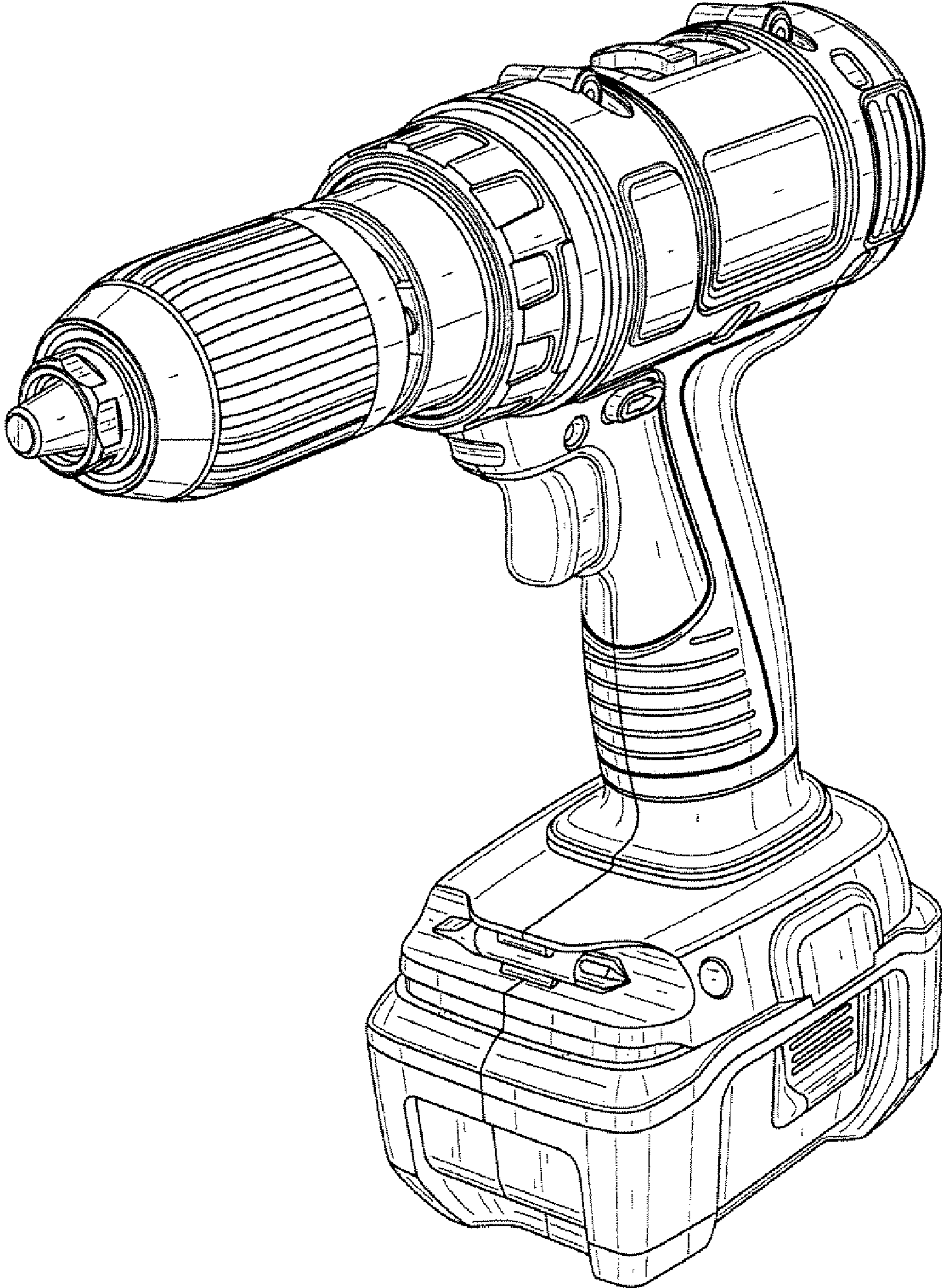


FIG. 1

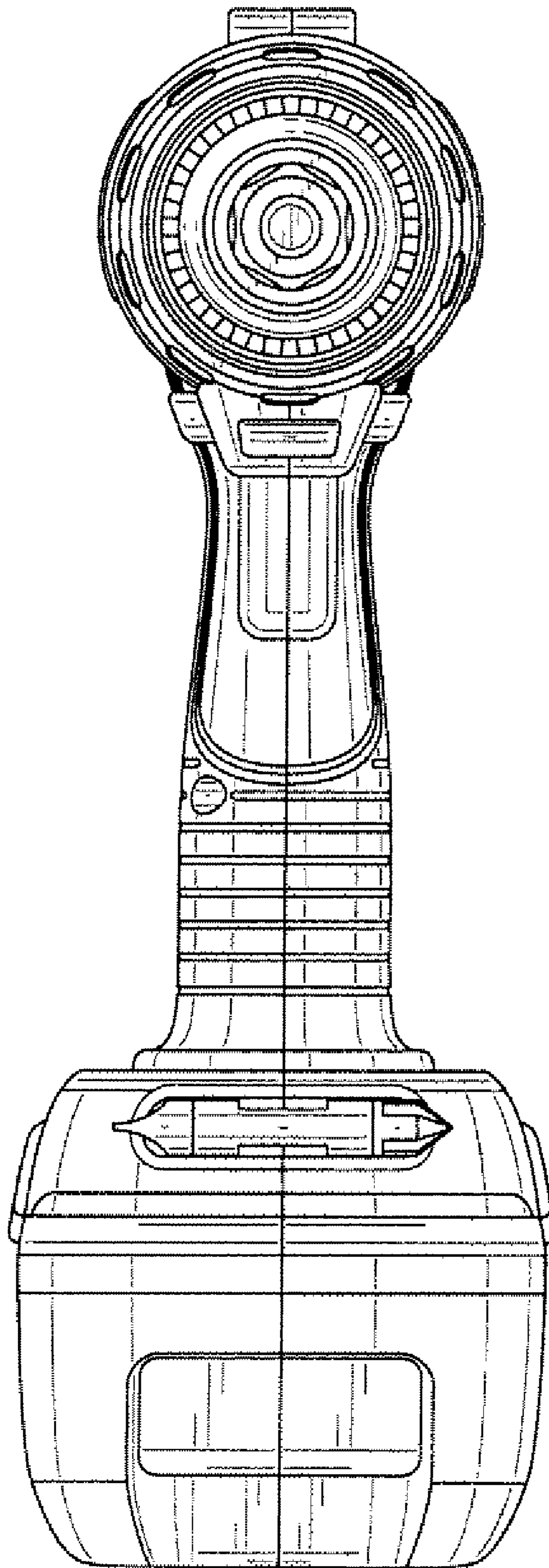


FIG. 2

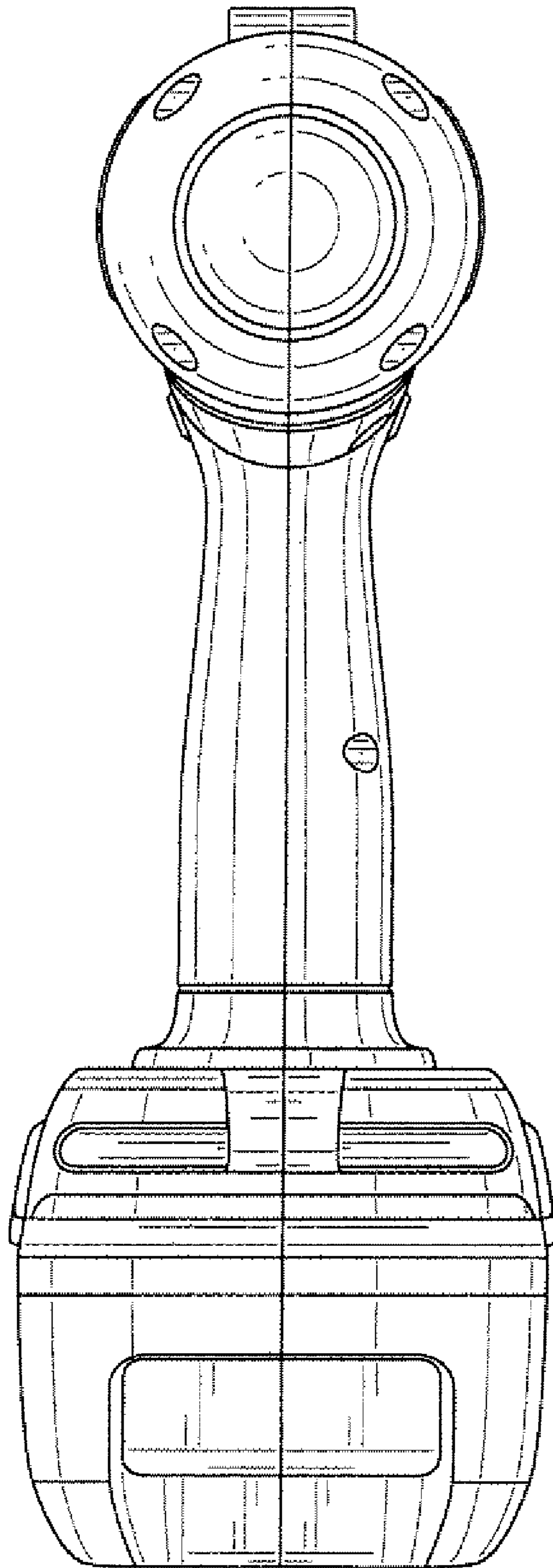


FIG. 3

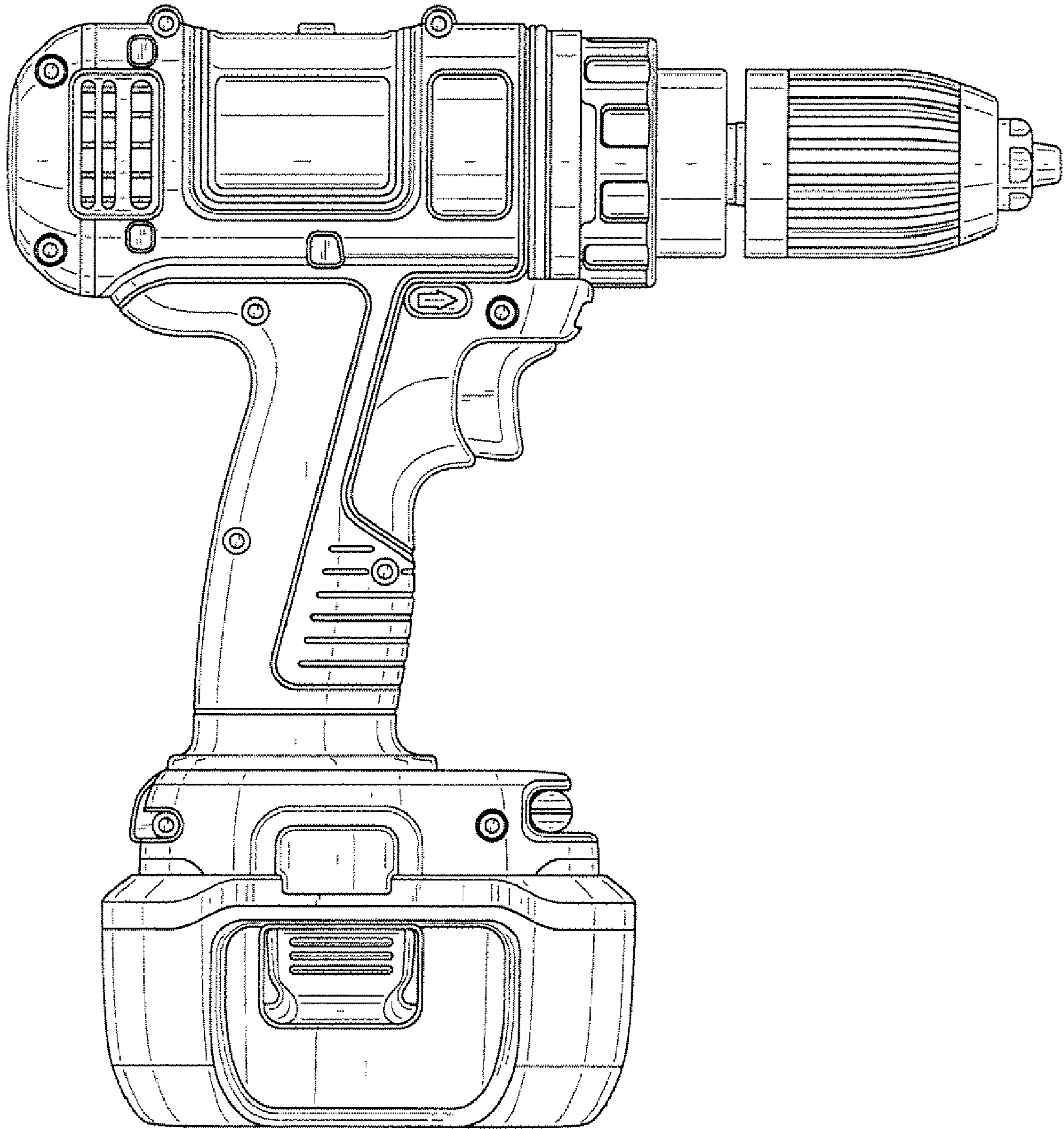


FIG. 4

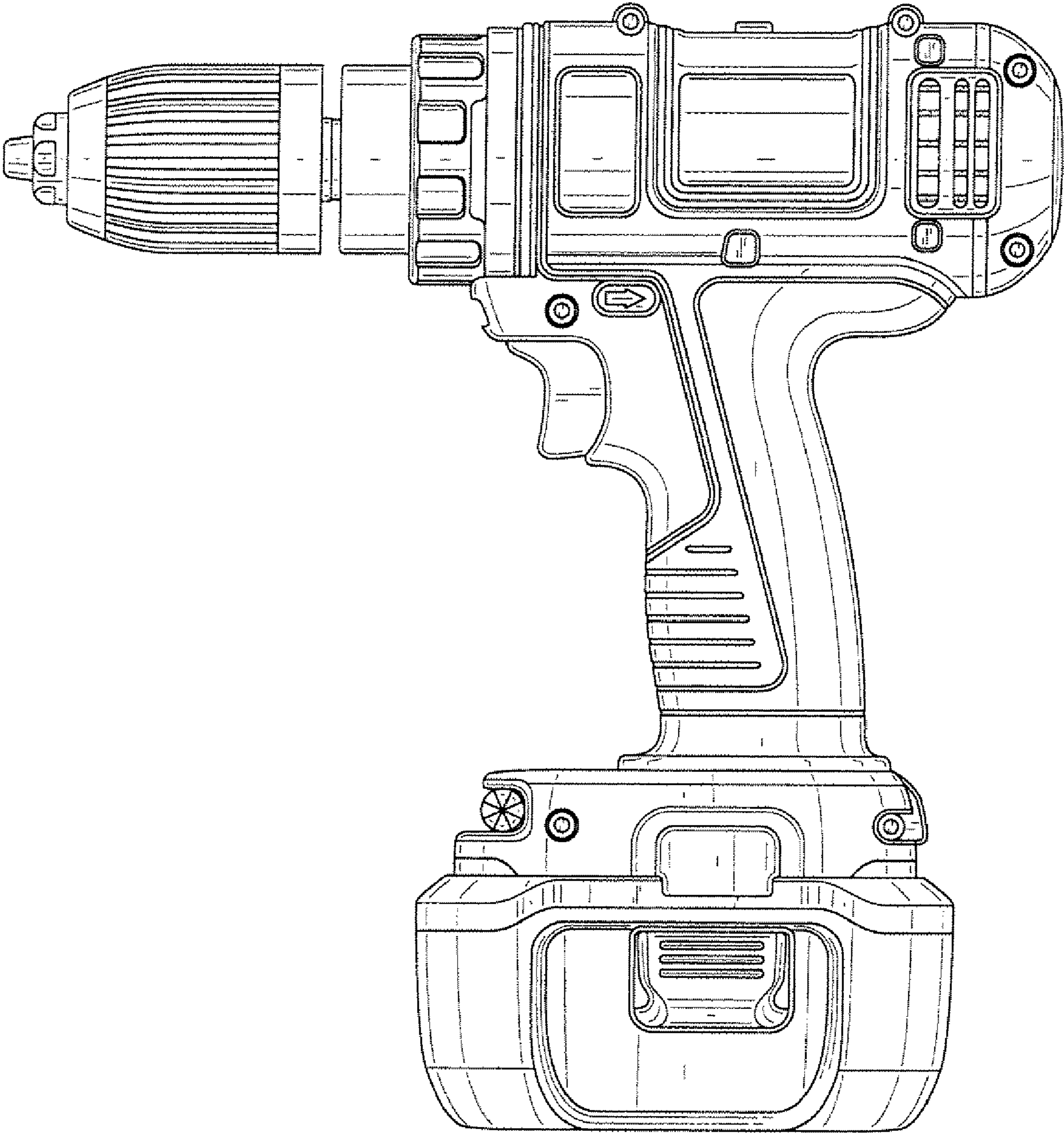


FIG. 5

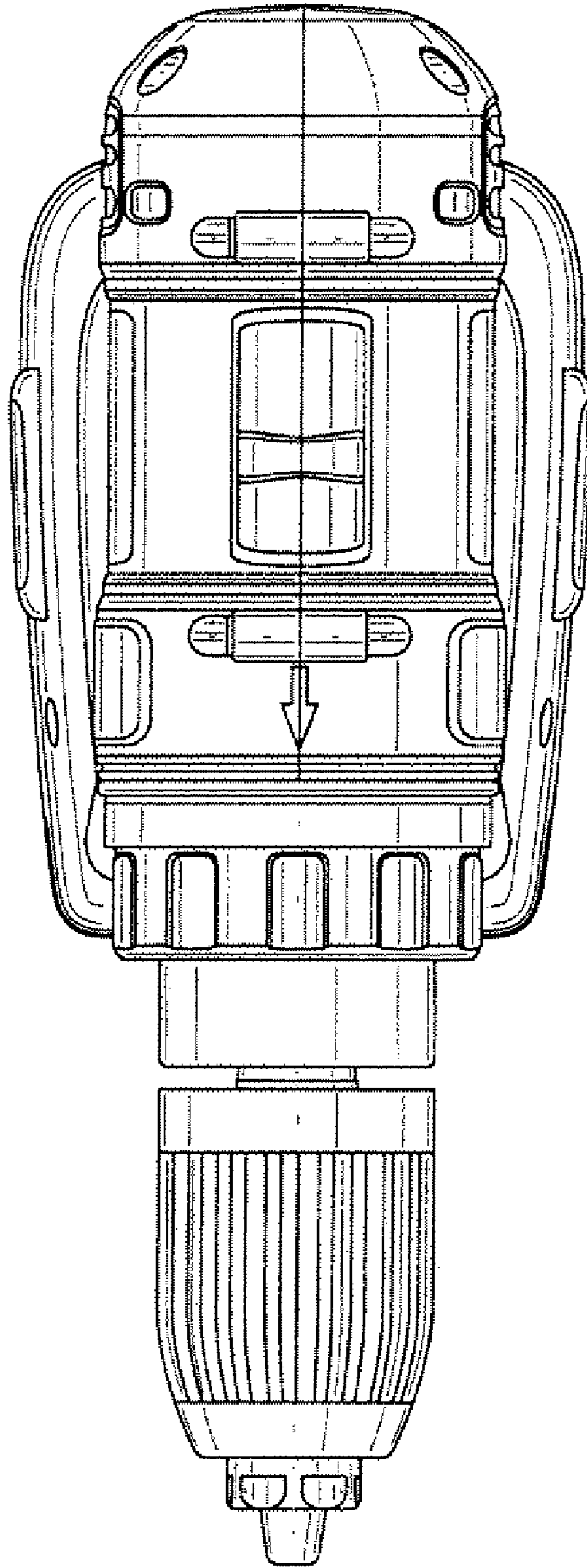


FIG. 6

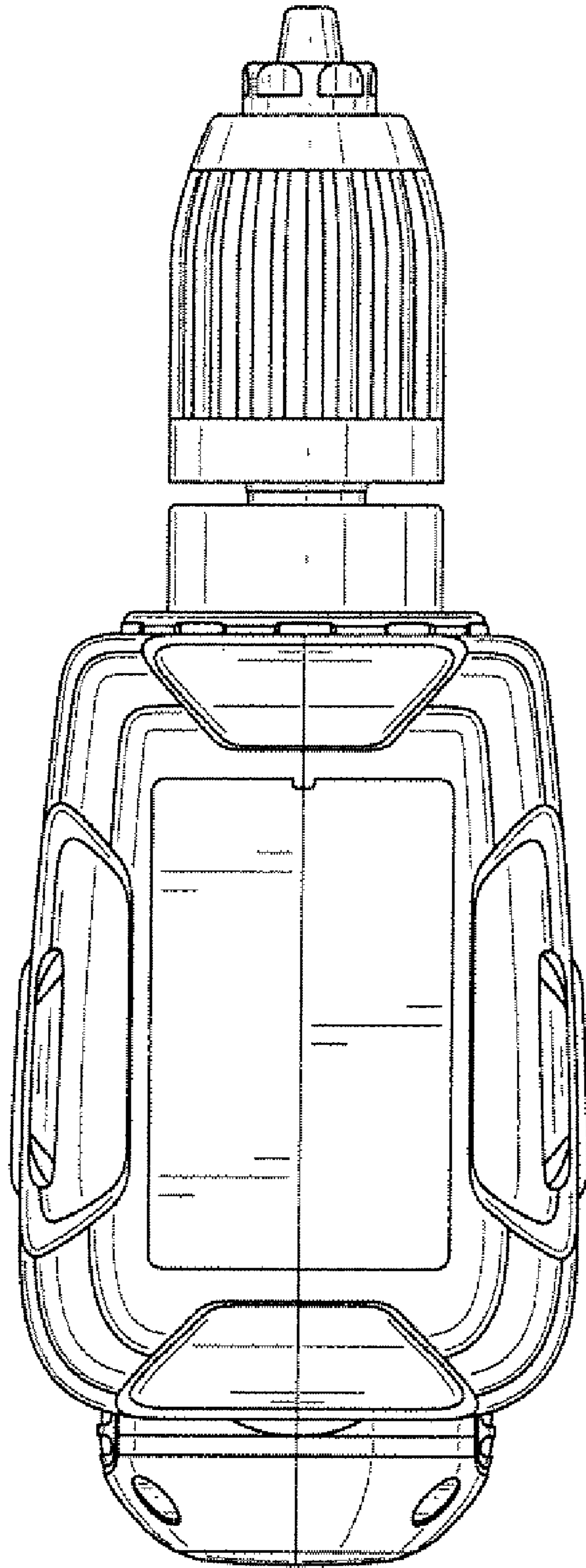


FIG. 7