



US00D608174S

(12) **United States Design Patent**
Wright

(10) **Patent No.:** **US D608,174 S**
(45) **Date of Patent:** **** Jan. 19, 2010**

(54) **DRILL**
(75) Inventor: **Stuart J. Wright**, Timonium, MD (US)
(73) Assignee: **Black & Decker Inc.**, Newark, DE (US)
(**) Term: **14 Years**
(21) Appl. No.: **29/328,130**
(22) Filed: **Nov. 19, 2008**
(51) **LOC (9) Cl.** **08-01**
(52) **U.S. Cl.** **D8/68**
(58) **Field of Classification Search** D8/61-69;
81/57.11, 429, 464, 465, 466, 469, 489;
173/13, 169, 178, 213, 217; 227/8, 114,
227/120, 130, 136, 142; 310/50; 408/20,
408/124, 125, 234, 241 R; 451/358
See application file for complete search history.

DE	49901747.1	10/1999
DE	40001877.2	6/2000
DE	40008414.7	1/2001
DE	40209433.6	3/2002
DE	40202507.5	7/2002
DE	063920	6/2003
DE	40300527.2	6/2003
DE	40302729.2	8/2003
DE	40305628.4	1/2004
DE	40306942.4	4/2004
DE	40307849.0	6/2004
DE	067002	9/2005
DE	M067002	9/2005
DE	40504026.1	12/2005
DE	40602602.5	11/2006
DE	069023	6/2007
EM	DE000039581-0001	10/2003
EM	DE000054556-0001	2/2004
EM	DE000054556-0002	2/2004
EM	DE000127030-0001	4/2004
EM	DE0001321147-001	7/2004

(56) **References Cited**

U.S. PATENT DOCUMENTS

D486,049	S *	2/2004	Sugiura et al.	D8/68
D496,574	S *	9/2004	Sakai et al.	D8/68
D513,951	S *	1/2006	Chung et al.	D8/68
D526,178	S *	8/2006	Alias	D8/68
7,398,835	B2 *	7/2008	Stirm, Michael	173/48
7,401,663	B2 *	7/2008	Craven et al.	173/217
7,469,753	B2 *	12/2008	Klemm et al.	173/178

FOREIGN PATENT DOCUMENTS

DE	8906910.2	3/1990
DE	8908812.3	4/1991
DE	M9104263.1	1/1992
DE	9104601.7	3/1992
DE	M9107938.1	5/1992
DE	9507136.9	3/1996
DE	9604464.0	10/1996
DE	9604852.2	2/1997
DE	M9604852.2	2/1997
DE	M96004852	2/1997
DE	9702174.1	7/1997
DE	M9702174	7/1997
DE	043756	4/1998

(Continued)

Primary Examiner—Antoine D Davis
(74) *Attorney, Agent, or Firm*—Scott B. Markow

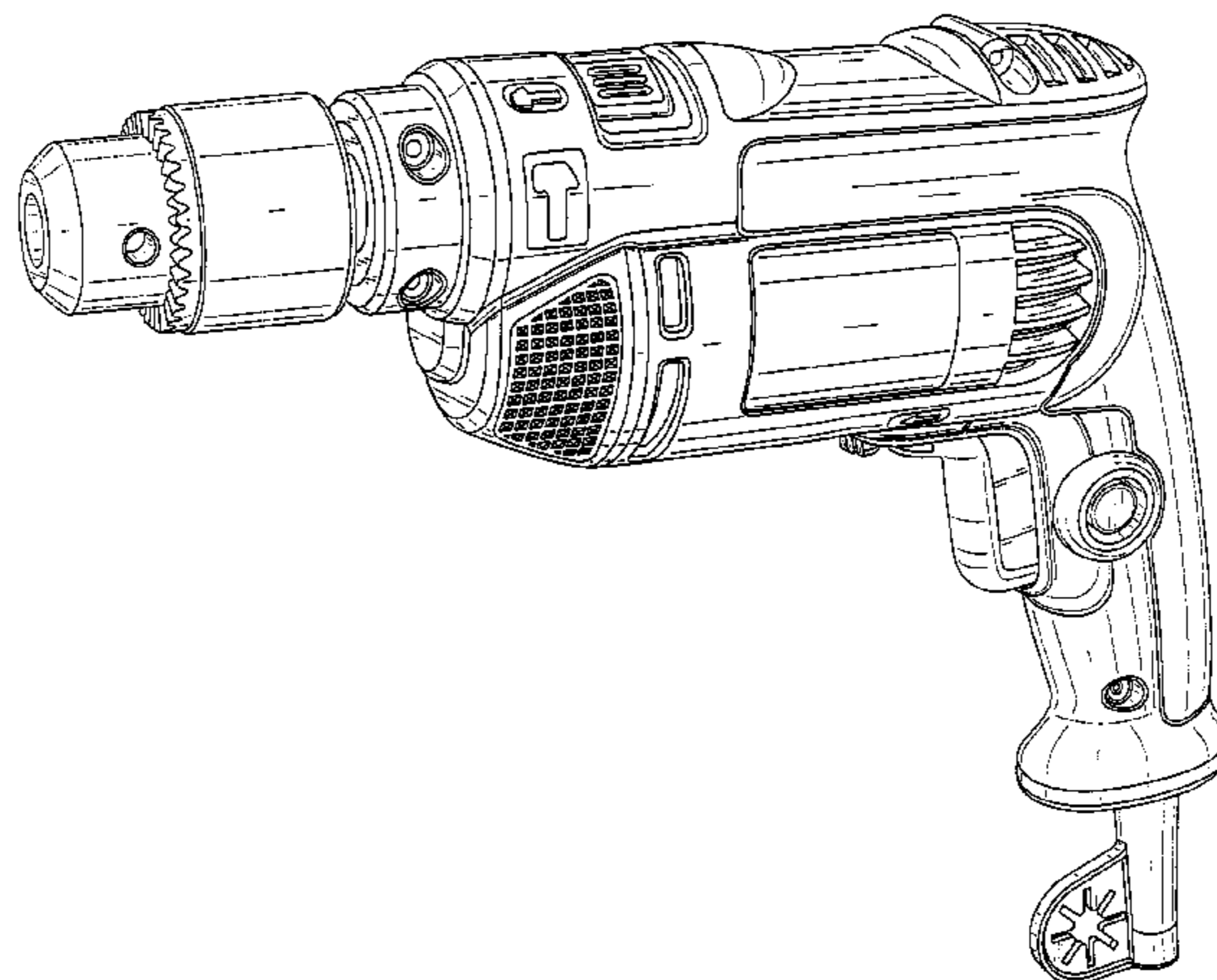
(57) **CLAIM**

The ornamental design for a drill, as shown and described.

DESCRIPTION

FIG. 1 is a perspective view of the drill.
FIG. 2 is a front view thereof.
FIG. 3 is a rear view thereof.
FIG. 4 is a left view thereof.
FIG. 5 is a right view thereof.
FIG. 6 is a top view thereof; and,
FIG. 7 is a bottom view thereof.

1 Claim, 5 Drawing Sheets



US D608,174 S

Page 2

FOREIGN PATENT DOCUMENTS

EM	DE000054556-0001	10/2004
EM	DE000054556-0002	10/2004
EM	DE000416078-0001	11/2005
EM	DE000490503-0001	4/2006

EM	DE000132147-0001	7/2007
EM	DE000933569-0002	6/2008
EM	DE0009333569-002	6/2008
EM	DE001014898-0001	10/2008

* cited by examiner

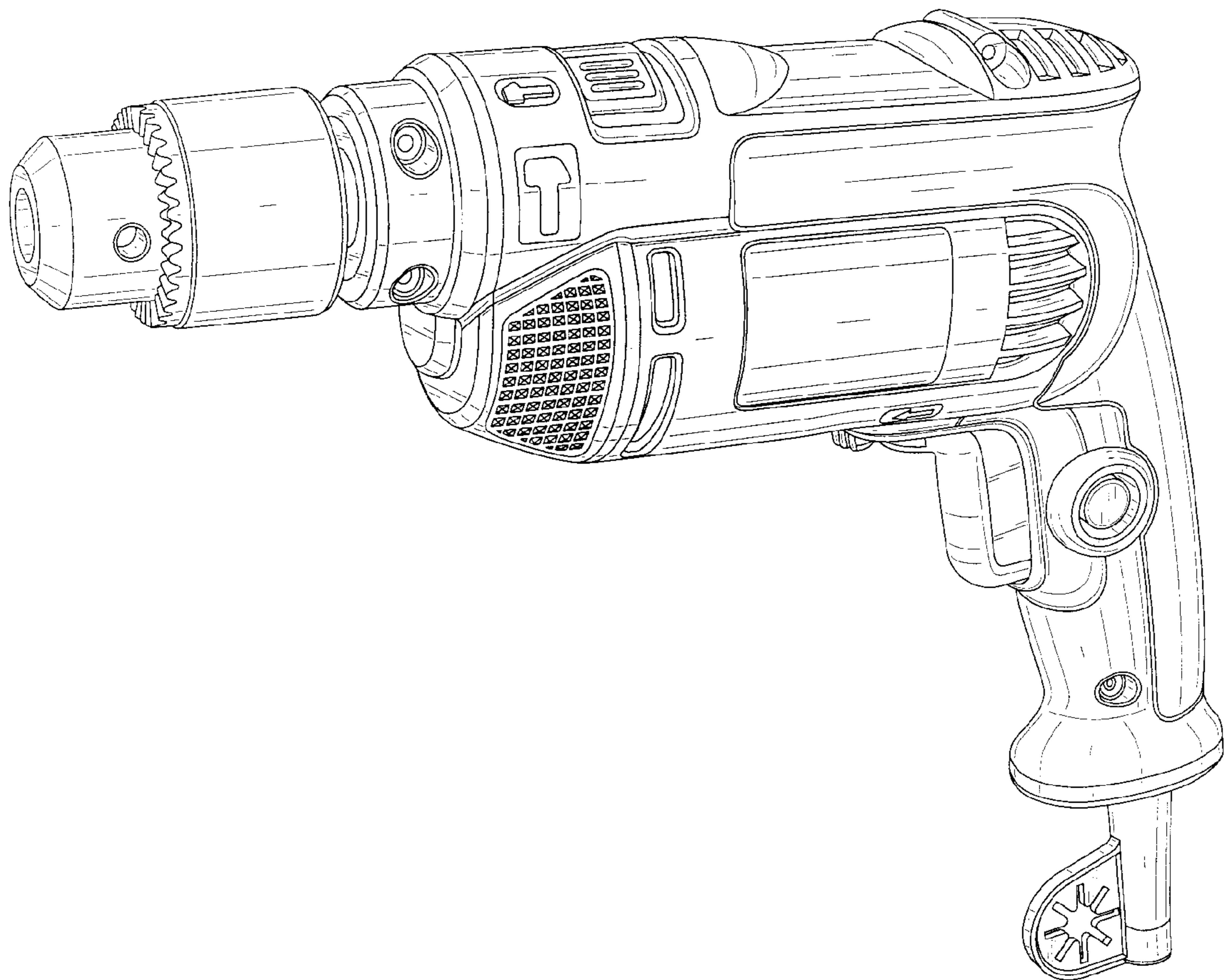


FIG. 1

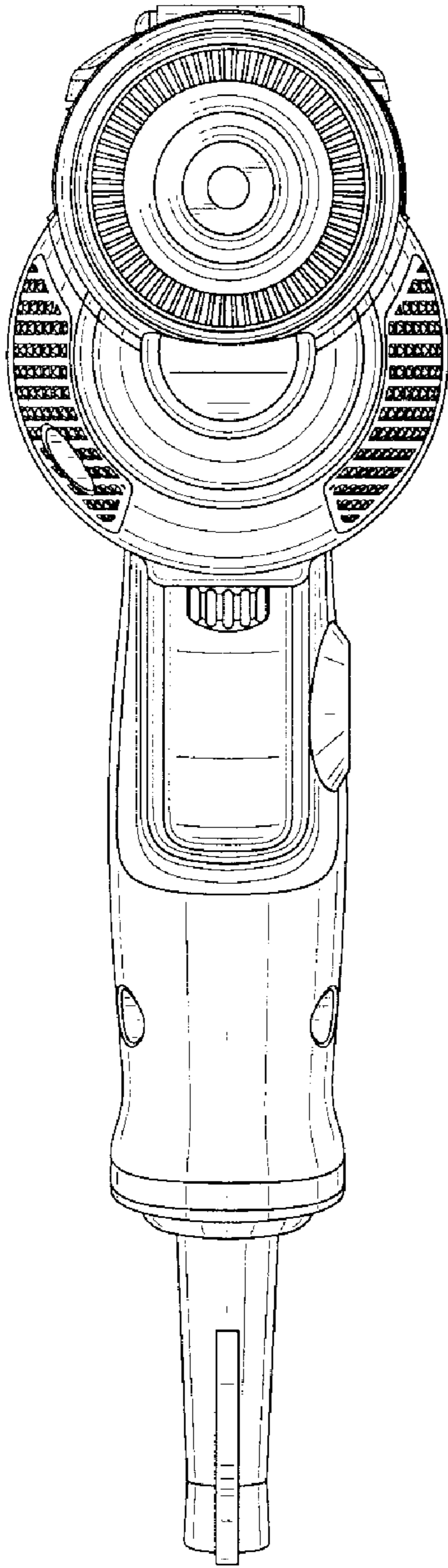


FIG. 2

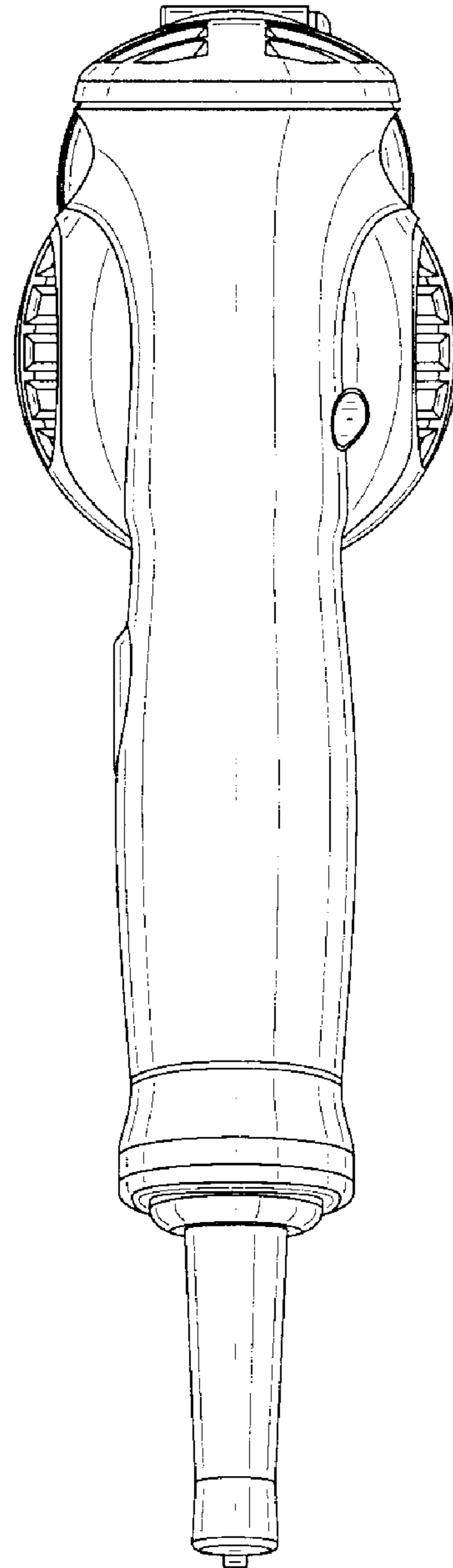


FIG. 3

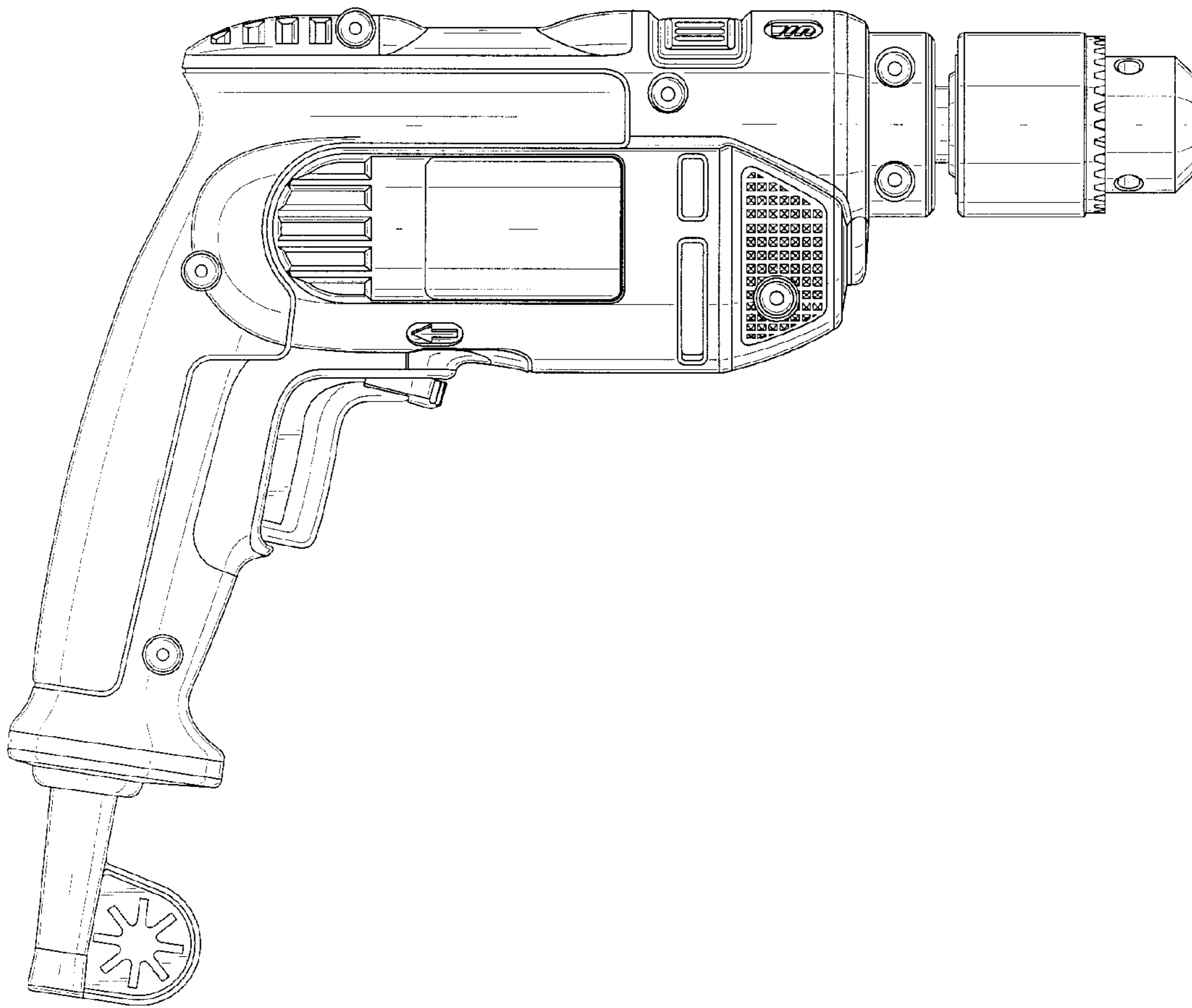


FIG. 4

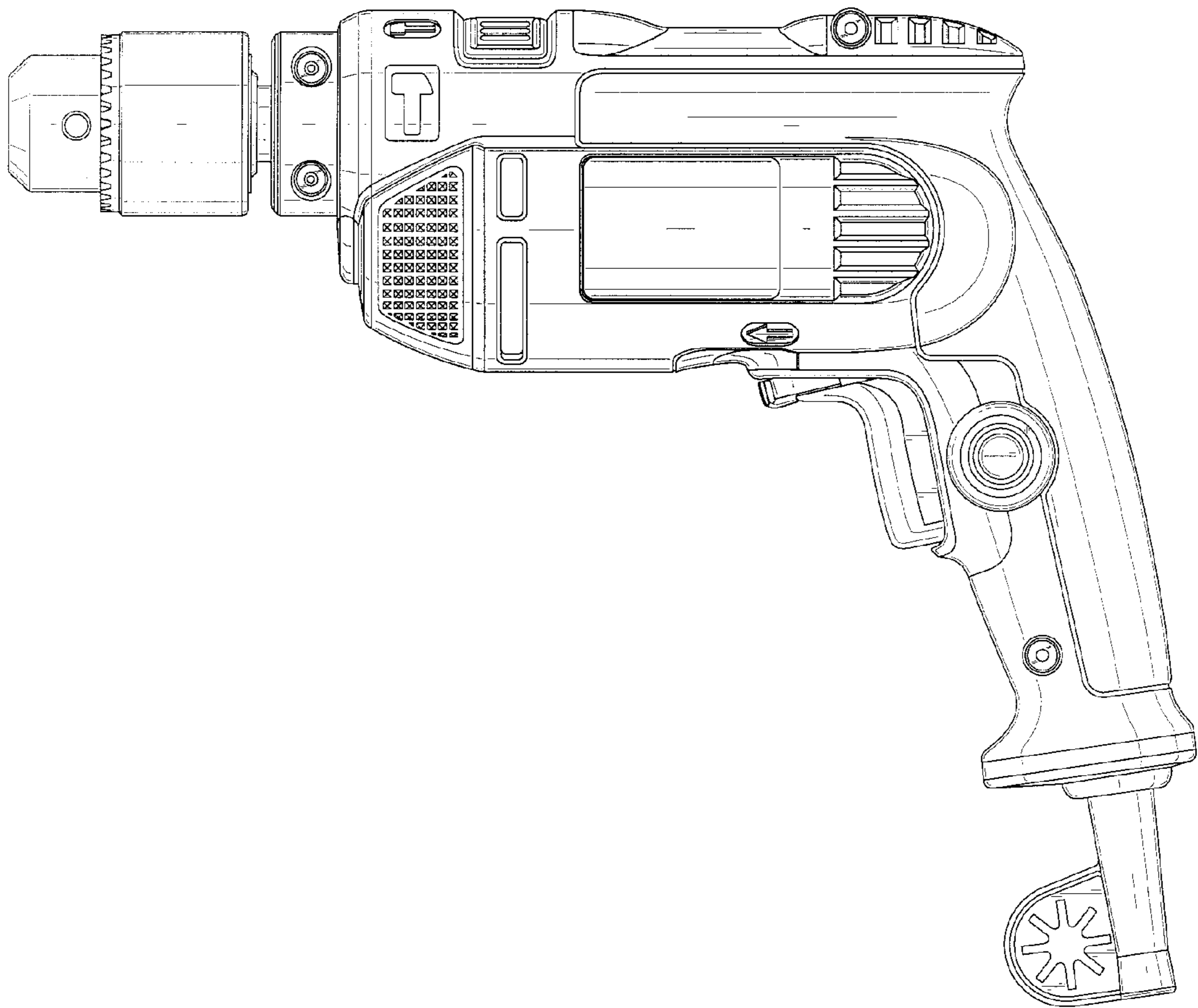


FIG. 5

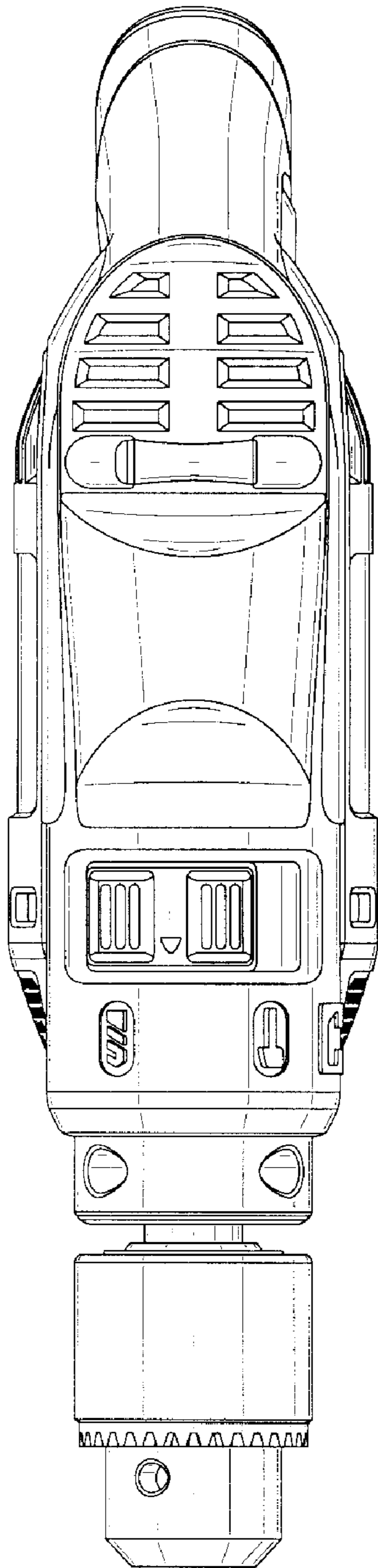


FIG. 6

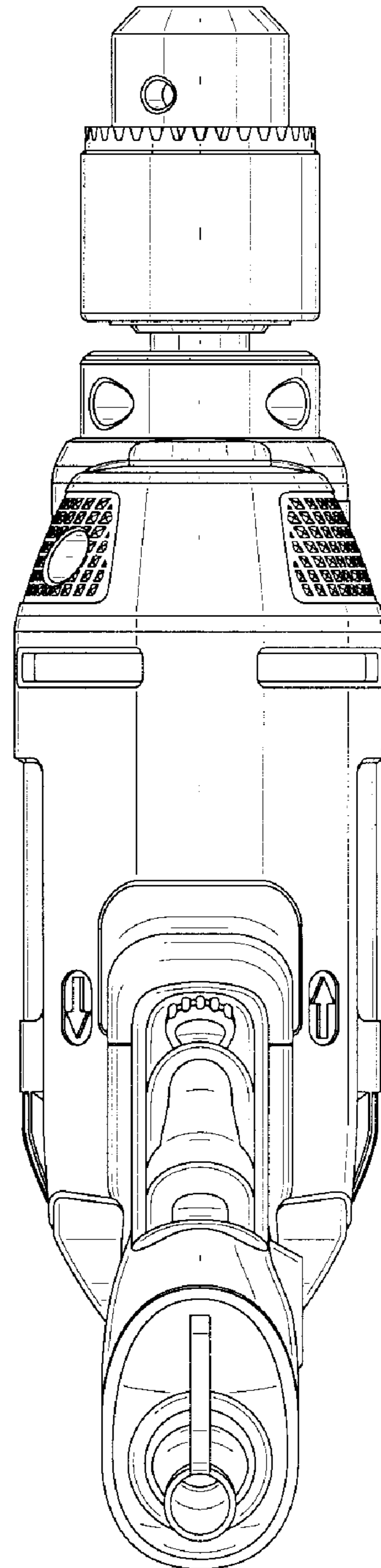


FIG. 7