



US00D608173S

(12) **United States Design Patent**
Ng et al.

(10) **Patent No.:** **US D608,173 S**
(45) **Date of Patent:** **** Jan. 19, 2010**

(54) **CORDLESS DRILL**

(75) Inventors: **Francis C. Ng**, Baltimore, MD (US);
Daniel N. Lopano, Bel Air, MD (US)

(73) Assignee: **Black & Decker Inc.**, Newark, DE (US)

(**) Term: **14 Years**

(21) Appl. No.: **29/326,989**

(22) Filed: **Oct. 28, 2008**

(51) **LOC (9) Cl.** **08-01**

(52) **U.S. Cl.** **D8/68**

(58) **Field of Classification Search** D8/14.1,
D8/61-70; 81/57.11, 429, 454-456, 469,
81/489; 173/13, 104, 114, 168-171, 178,
173/201, 211, 213, 217; 408/20, 124, 125,
408/234, 241 R; 451/358; 310/50; 227/8,
227/113, 114, 120, 130, 136, 142
See application file for complete search history.

(56) **References Cited**

U.S. PATENT DOCUMENTS

6,796,921 B1 * 9/2004 Buck et al. 475/299
7,066,691 B2 * 6/2006 Doyle et al. 408/124
7,150,587 B2 * 12/2006 Dils et al. 408/16
D587,544 S * 3/2009 Lopano D8/68
D593,831 S * 6/2009 Van Wambeke et al. D8/68

FOREIGN PATENT DOCUMENTS

DE M9703272.7 9/1997
DE 49902246.7 10/1999
DE 49907986.8 1/2000
DE 49911374.8 3/2000
DE 40006861.3 8/2000
DE 40003708.4 9/2000
DE 40105815.8 11/2001
DE 40106193.0 1/2002
DE 40200908.8 5/2002

(Continued)

Primary Examiner—Antoine D Davis
(74) *Attorney, Agent, or Firm*—Scott B. Markow

(57) **CLAIM**

The ornamental design for a cordless drill, as shown and described.

DESCRIPTION

FIG. 1 is a perspective view of a first embodiment of the cordless drill.

FIG. 2 is a front view of the first embodiment.

FIG. 3 is a rear view of the first embodiment.

FIG. 4 is a left view of the first embodiment.

FIG. 5 is a right view of the first embodiment.

FIG. 6 is a top view of the first embodiment.

FIG. 7 is a bottom view of the first embodiment.

FIG. 8 is a perspective view of a second embodiment of the cordless drill.

FIG. 9 is a front view of the second embodiment.

FIG. 10 is a rear view of the second embodiment.

FIG. 11 is a left view of the second embodiment.

FIG. 12 is a right view of the second embodiment.

FIG. 13 is a top view of the second embodiment.

FIG. 14 is a bottom view of the second embodiment.

FIG. 15 is a perspective view of a third embodiment of the cordless drill.

FIG. 16 is a front view of the third embodiment.

FIG. 17 is a rear view of the third embodiment.

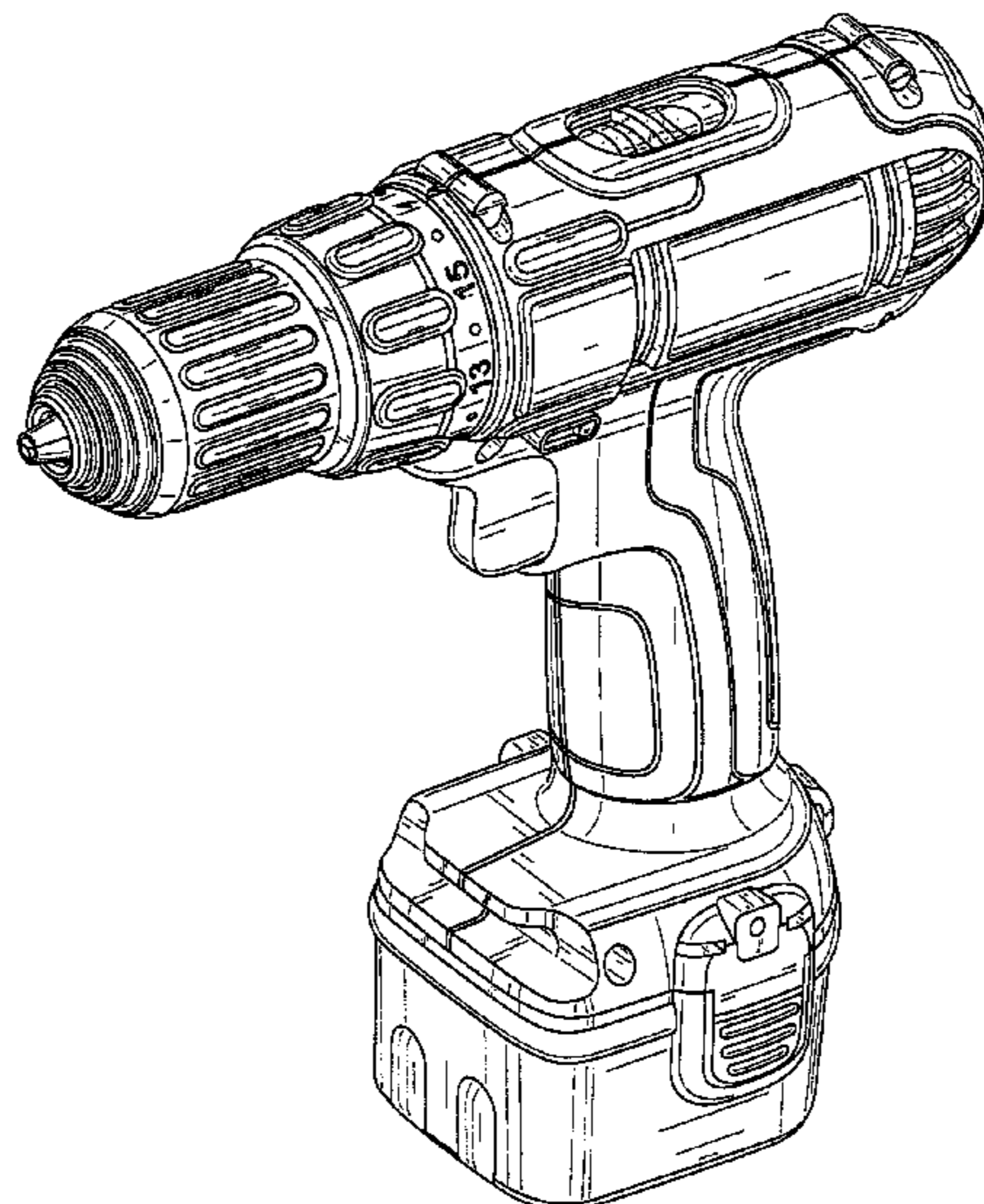
FIG. 18 is a left view of the third embodiment.

FIG. 19 is a right view of the third embodiment.

FIG. 20 is a top view of the third embodiment; and,

FIG. 21 is a bottom view of the third embodiment.

1 Claim, 15 Drawing Sheets



US D608,173 S

Page 2

FOREIGN PATENT DOCUMENTS					
			EM	000114020-0003	4/2004
			EM	000114020-0004	4/2004
			EM	000192109-0001	8/2004
			EM	000192109-0002	8/2004
			EM	000192109-0003	8/2004
			EM	000255815-0001	2/2005
			EM	000255815-0002	2/2005
			EM	000622428-0002	12/2006
			* cited by examiner		
DE	40205451.2	11/2002			
DE	40209961.3	4/2003			
DE	40302379	8/2003			
DE	40304892.3	2/2004			
DE	40603511.3	11/2006			
EM	000057617-0001	11/2003			
EM	000114020-0001	4/2004			
EM	000114020-0002	4/2004			

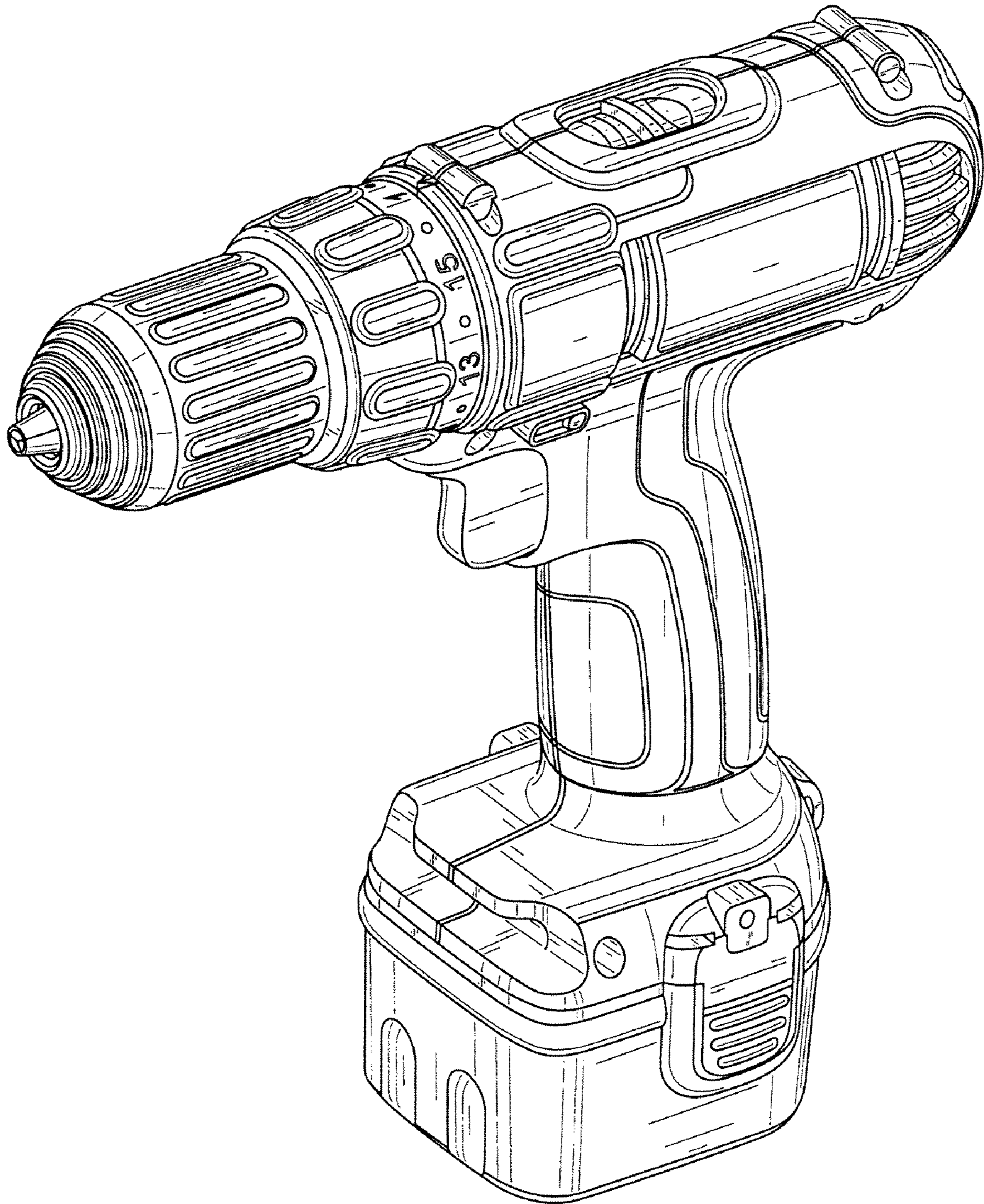


FIG. 1

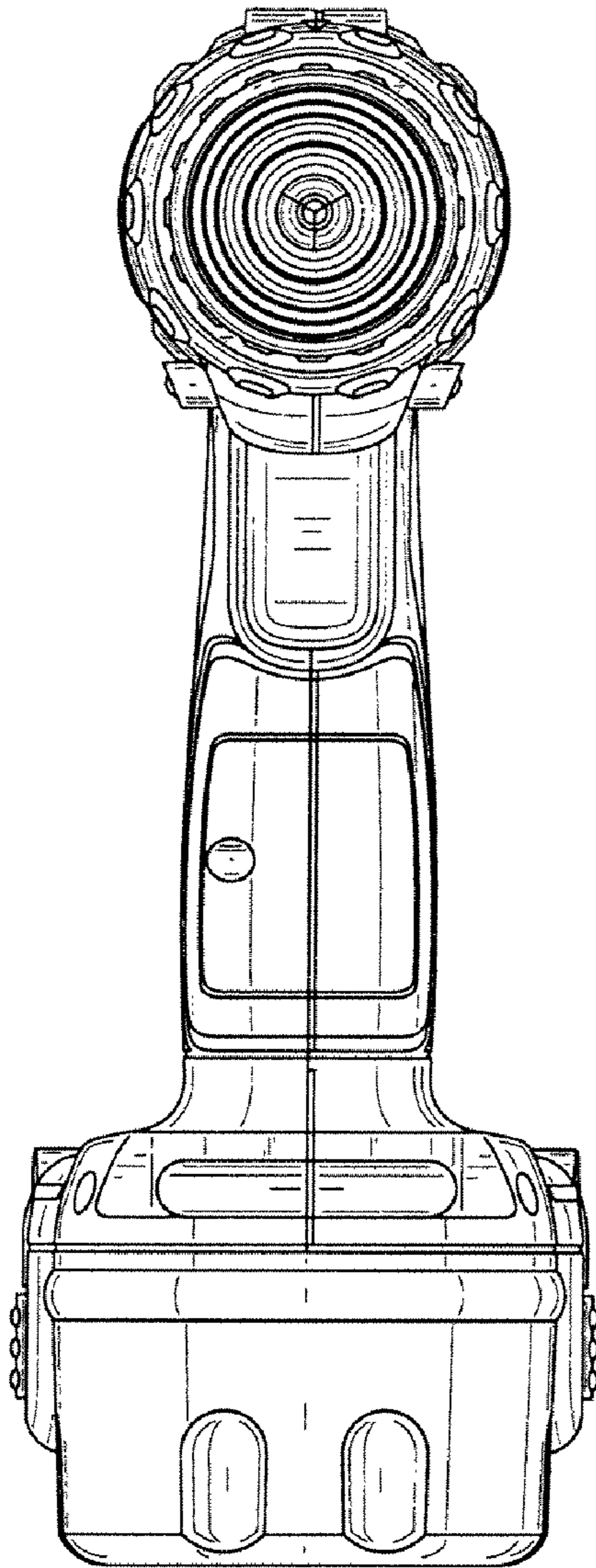


FIG. 2

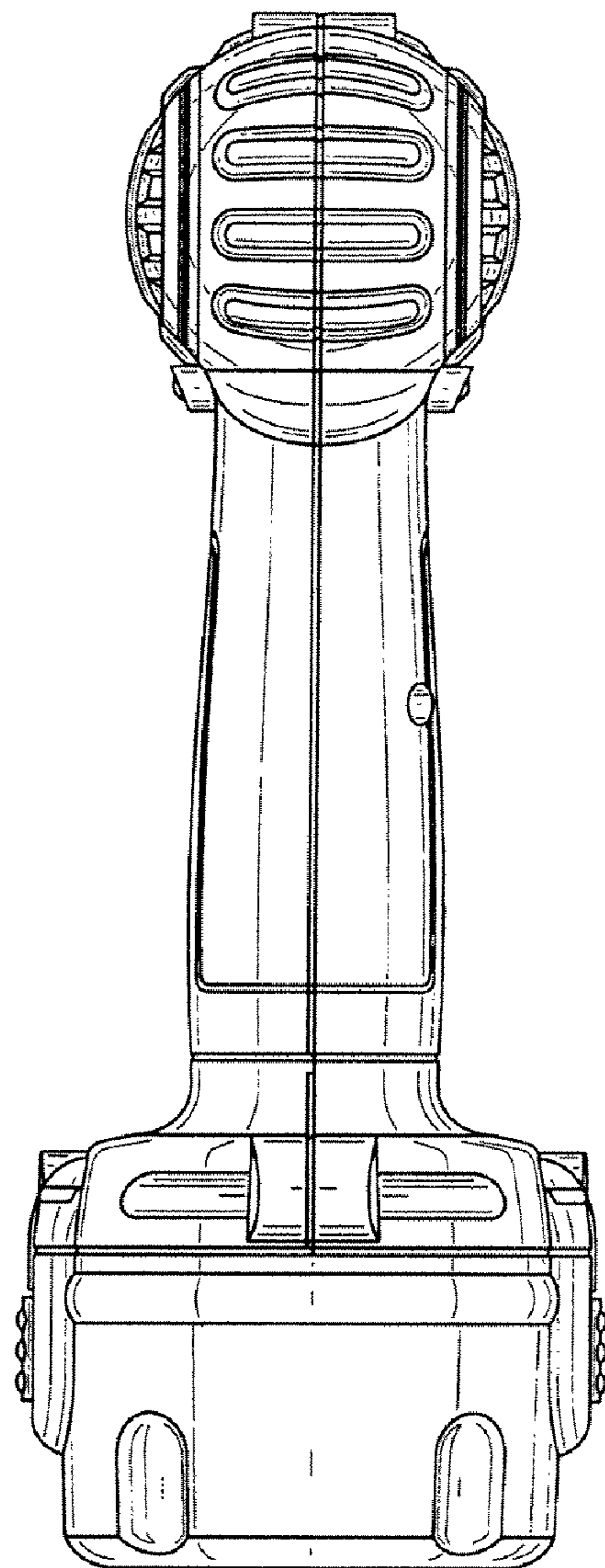


FIG. 3

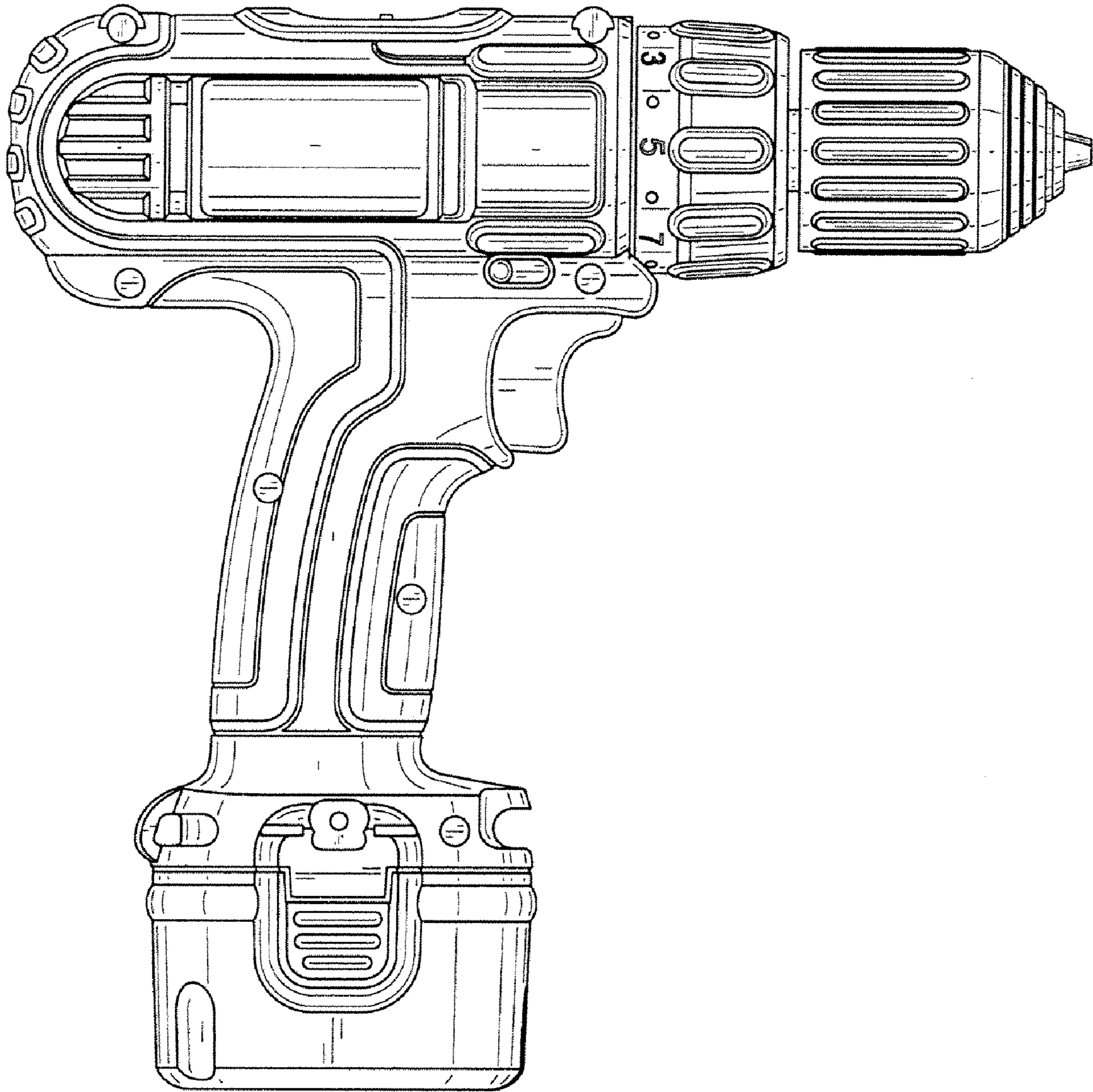


FIG. 4

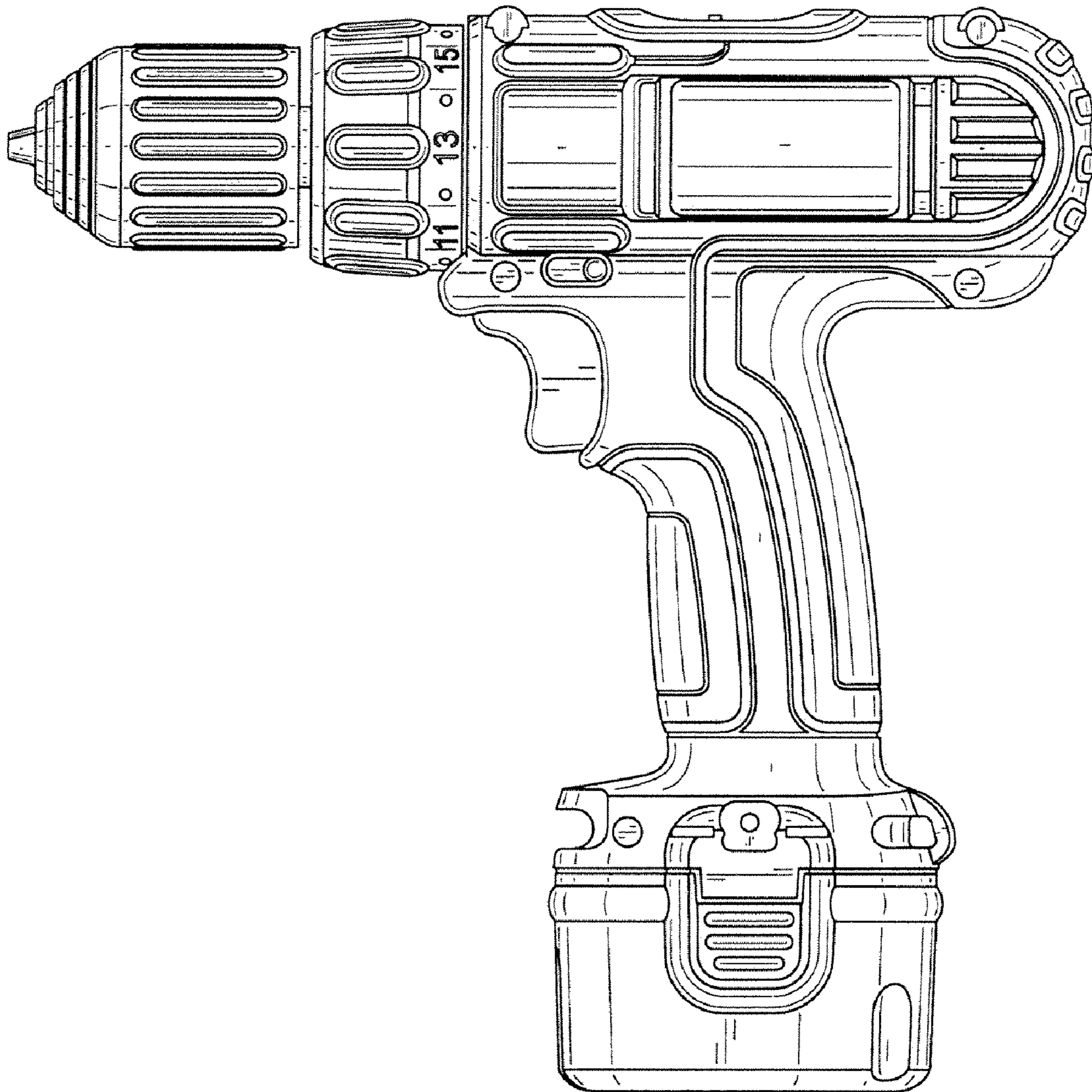


FIG. 5

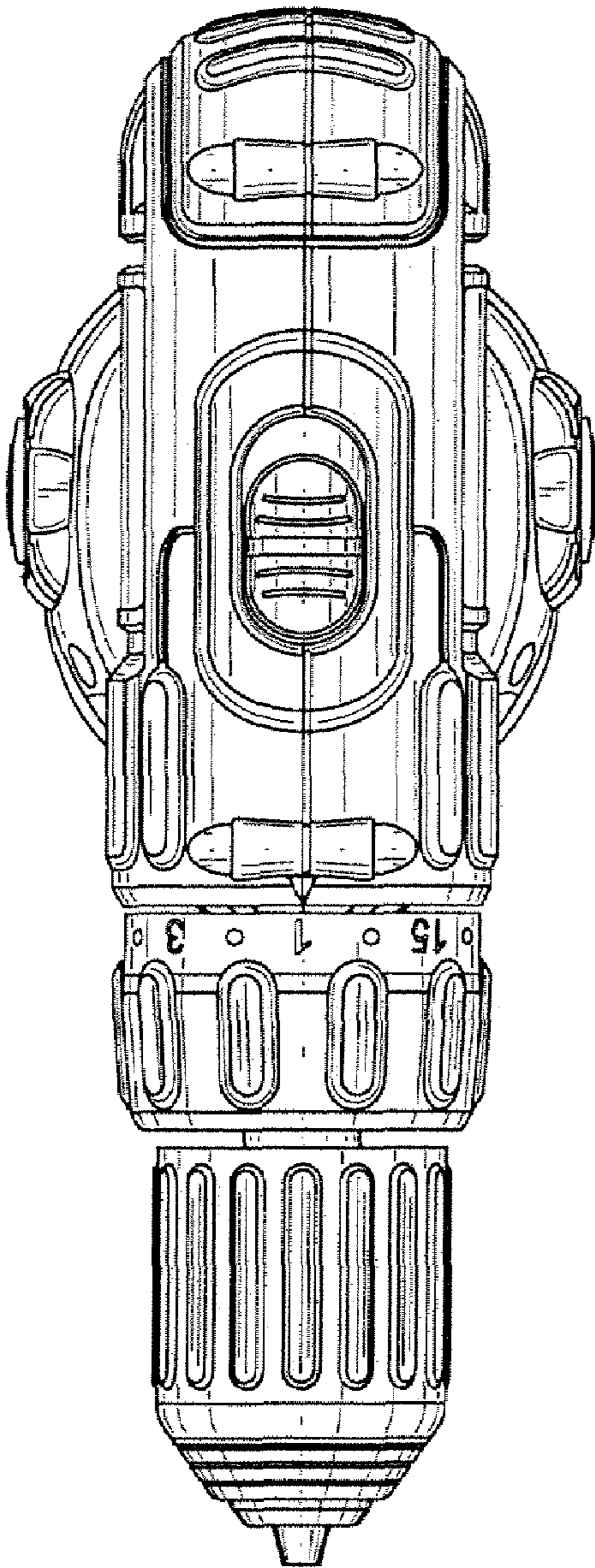


FIG. 6

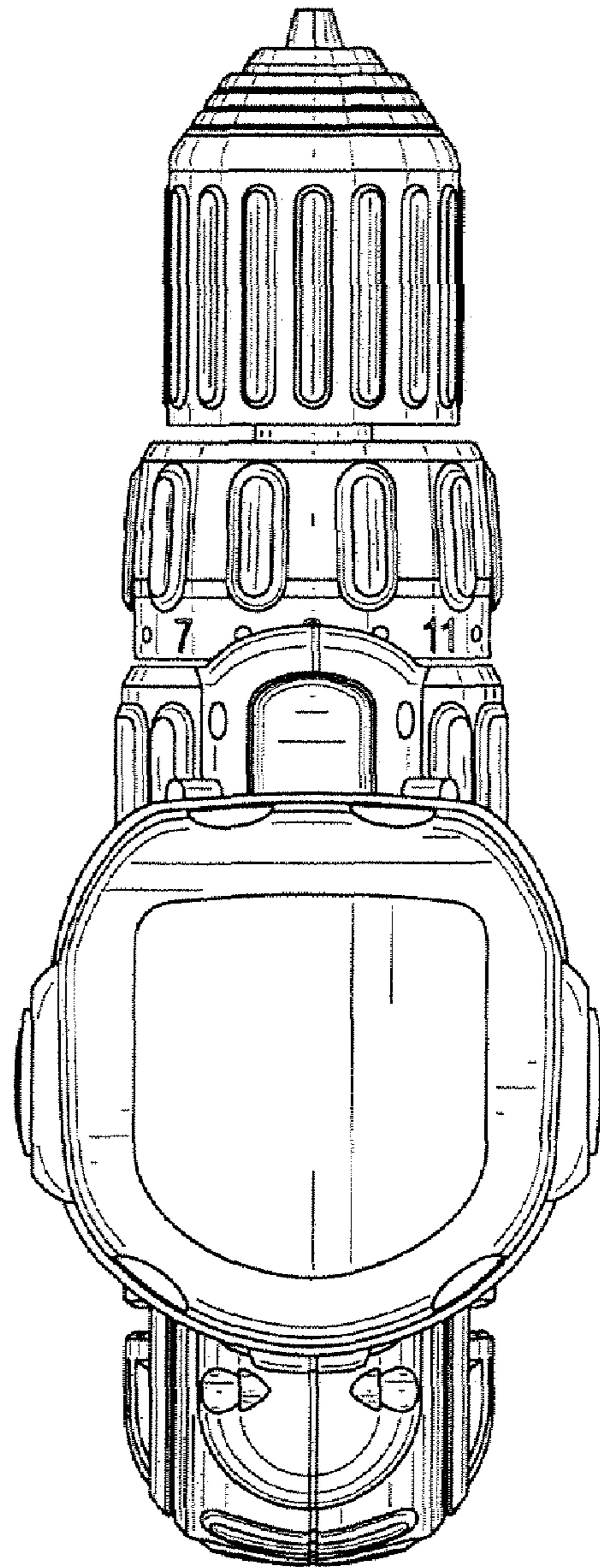


FIG. 7

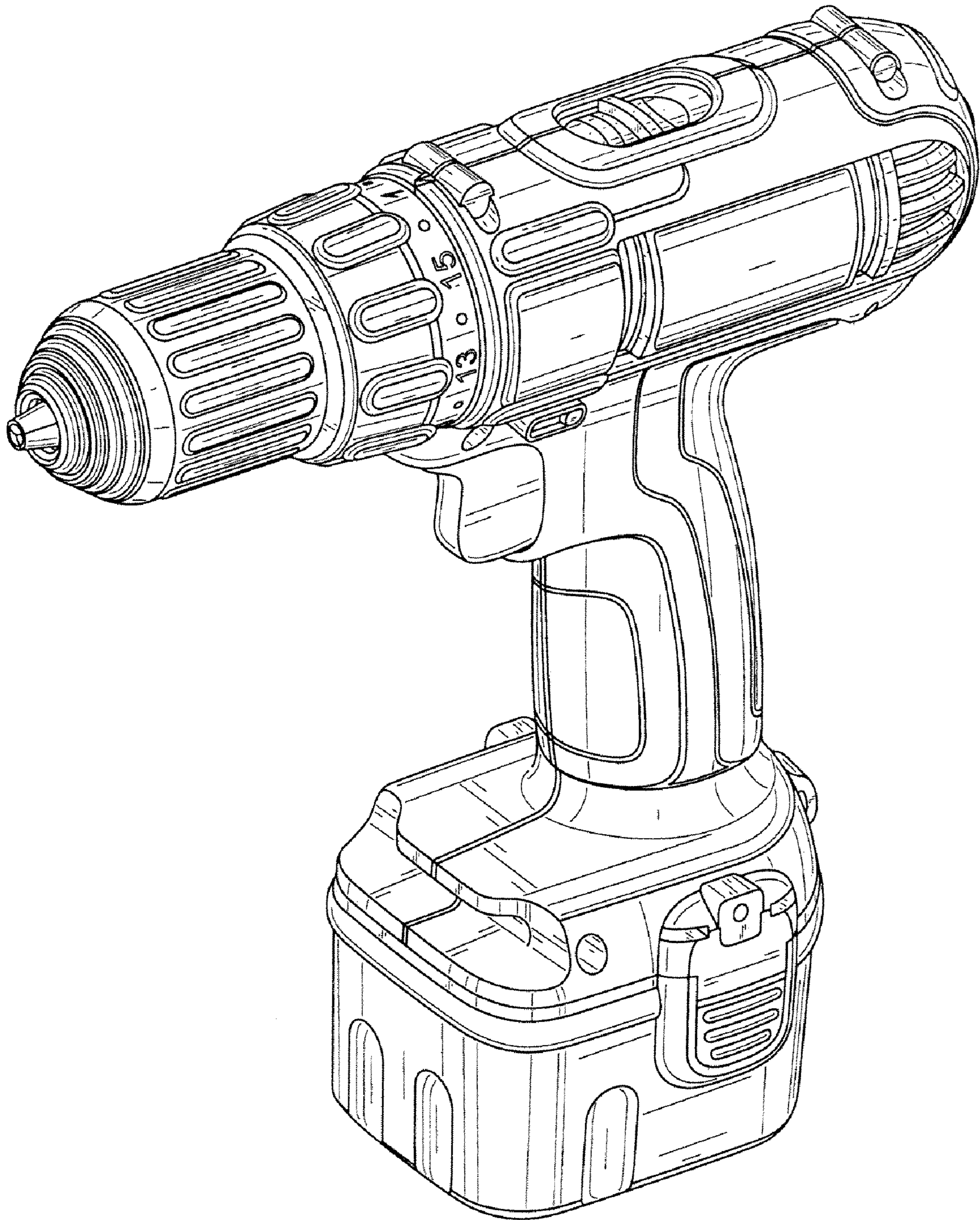


FIG. 8

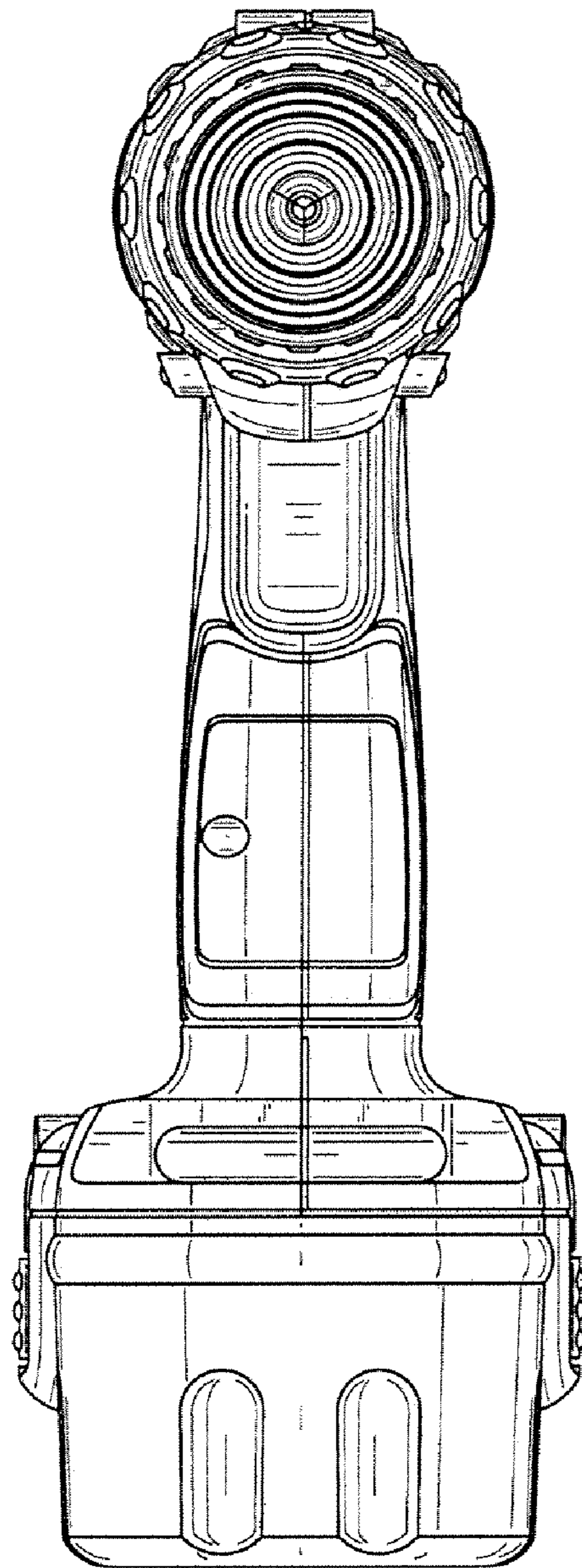


FIG. 9

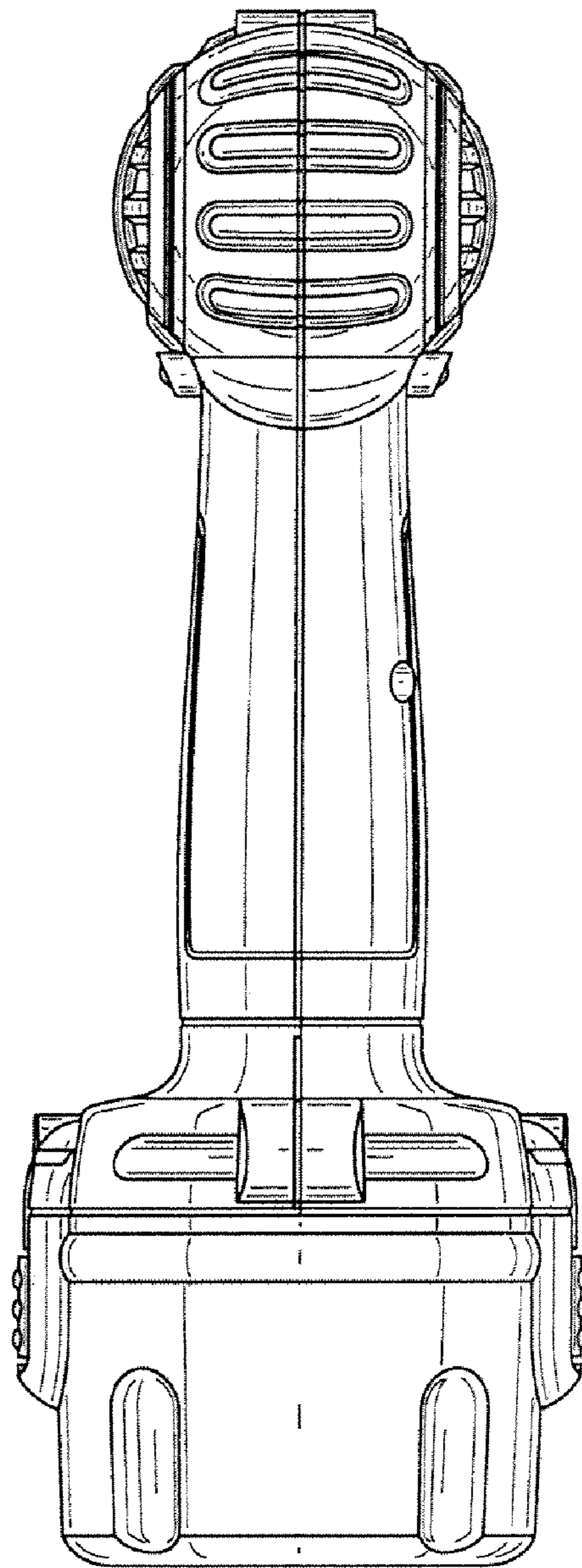


FIG. 10

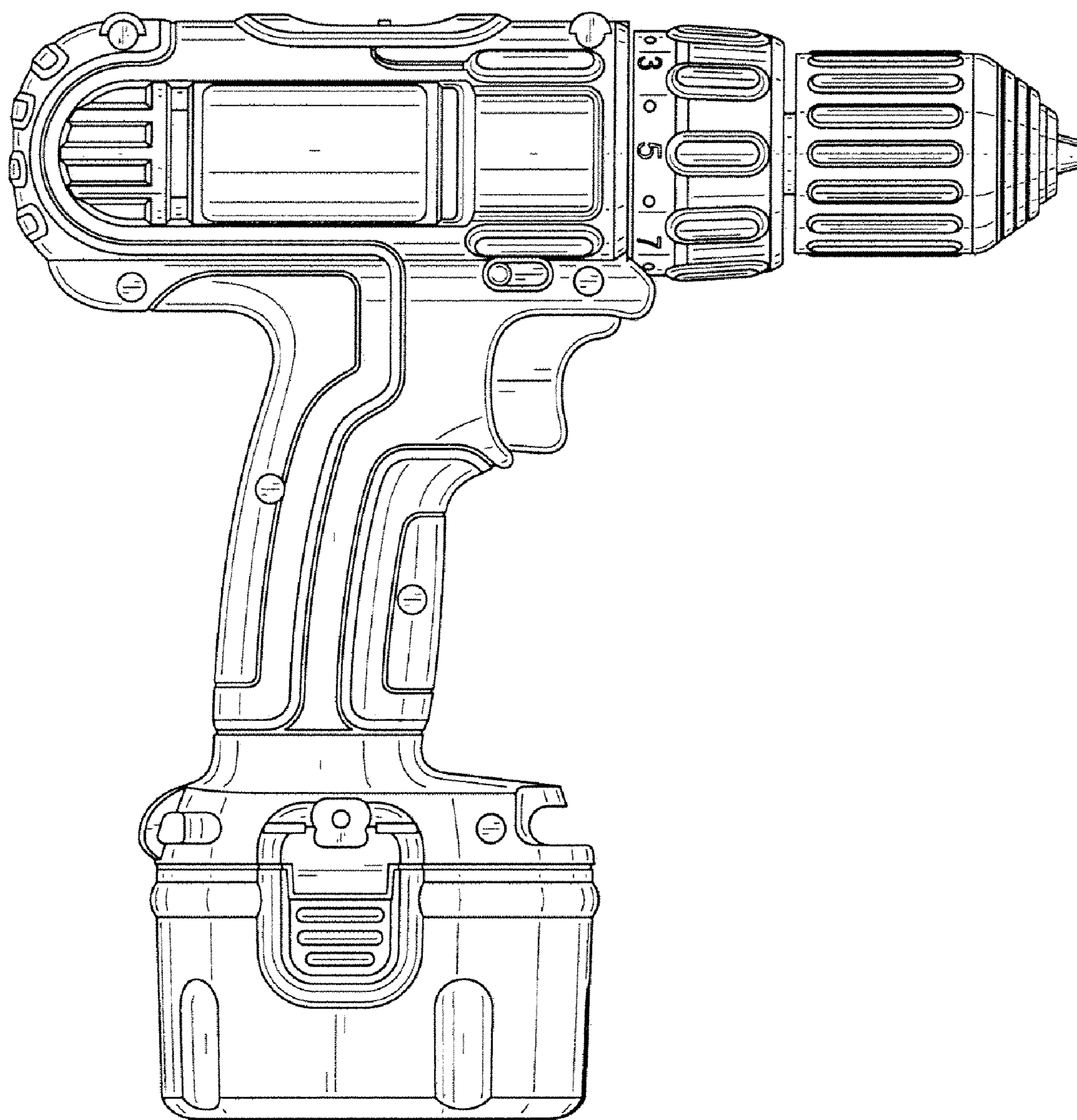


FIG. 11

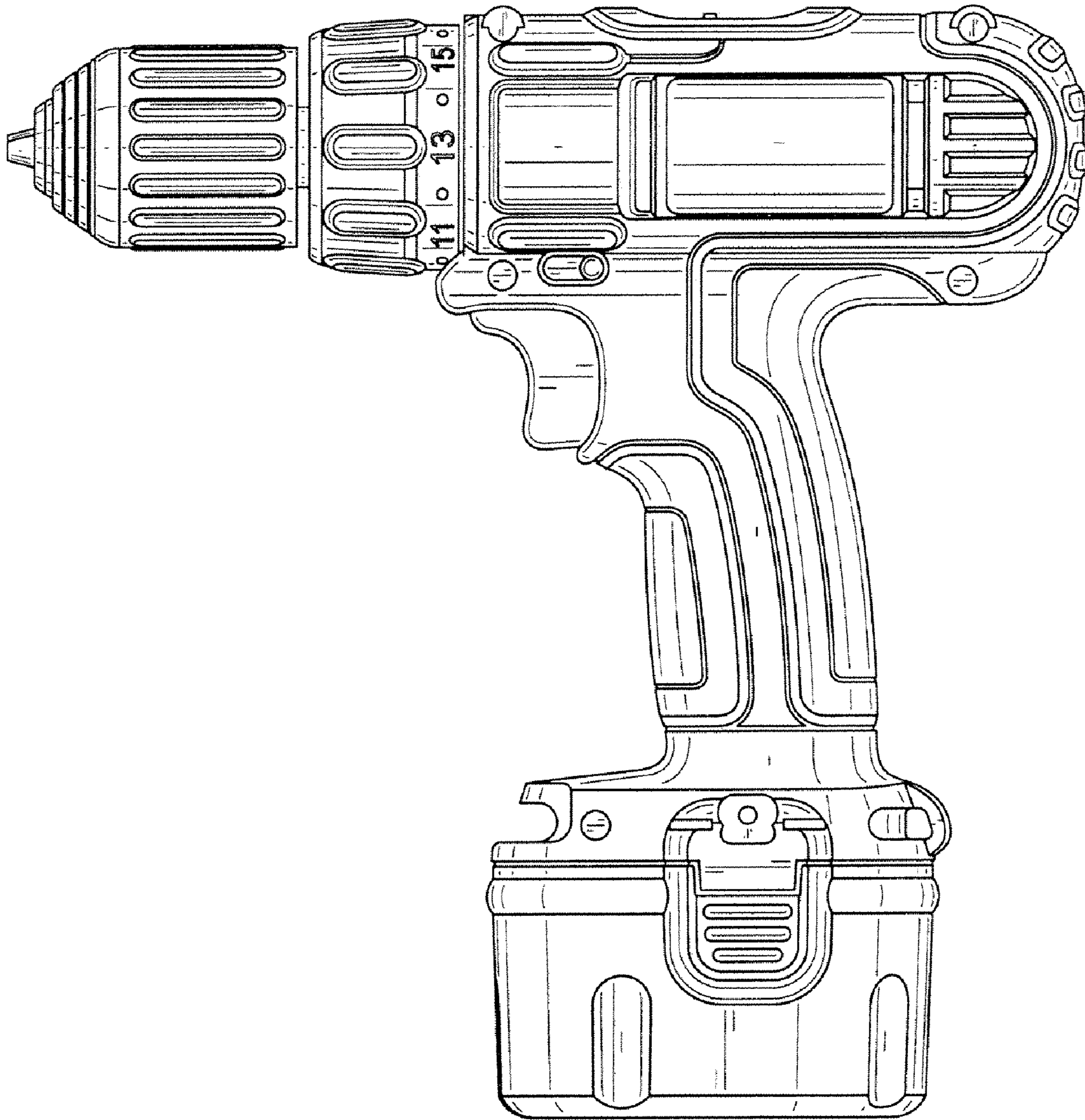


FIG. 12

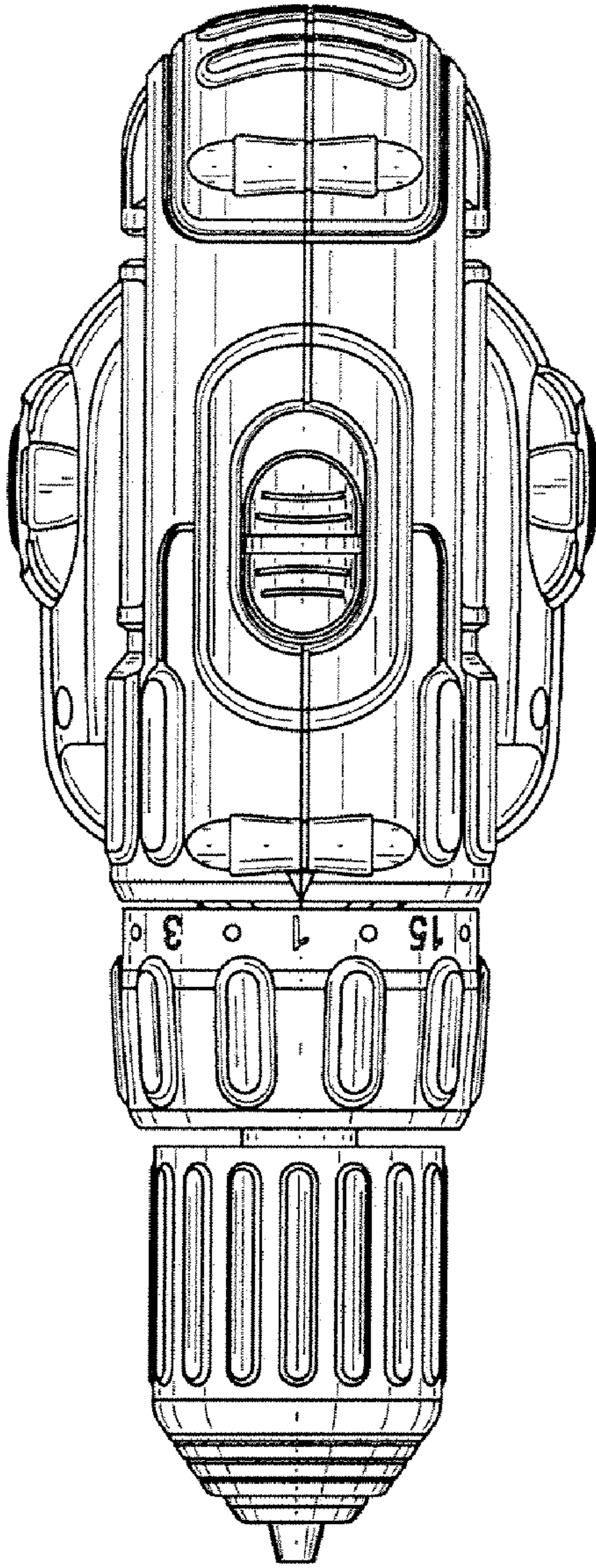


FIG. 13

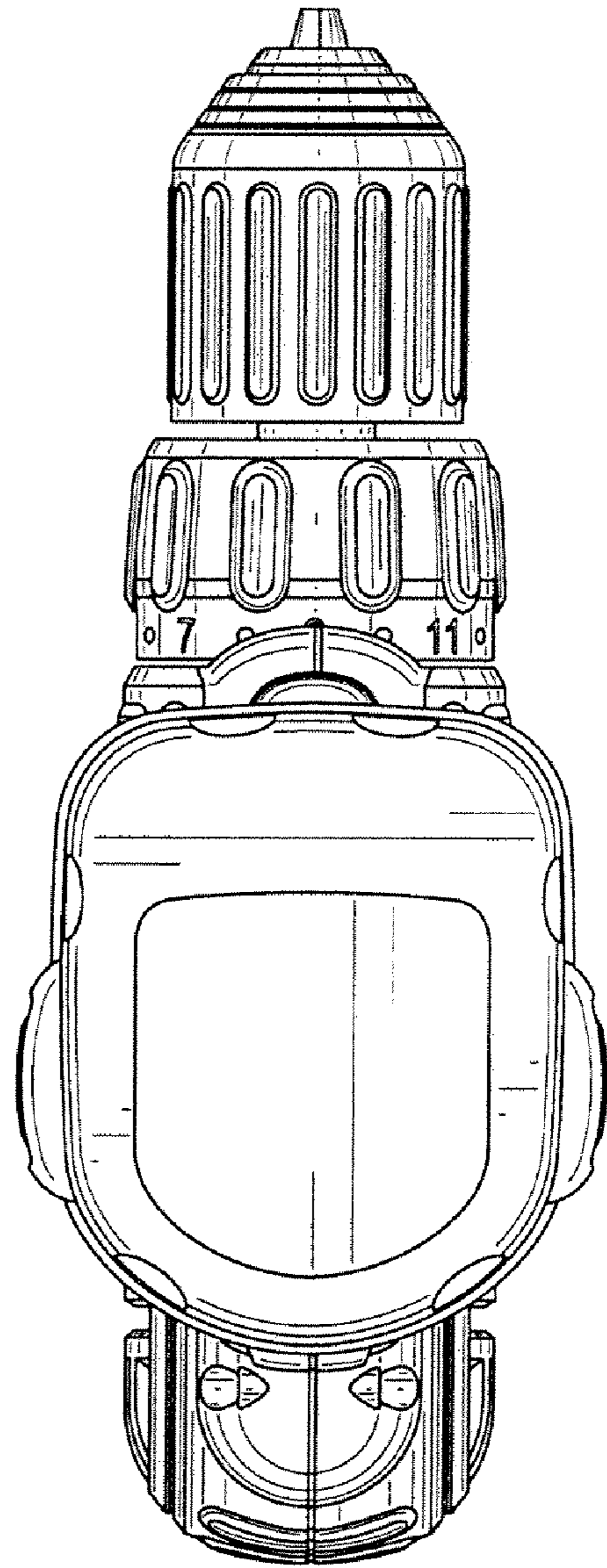


FIG. 14

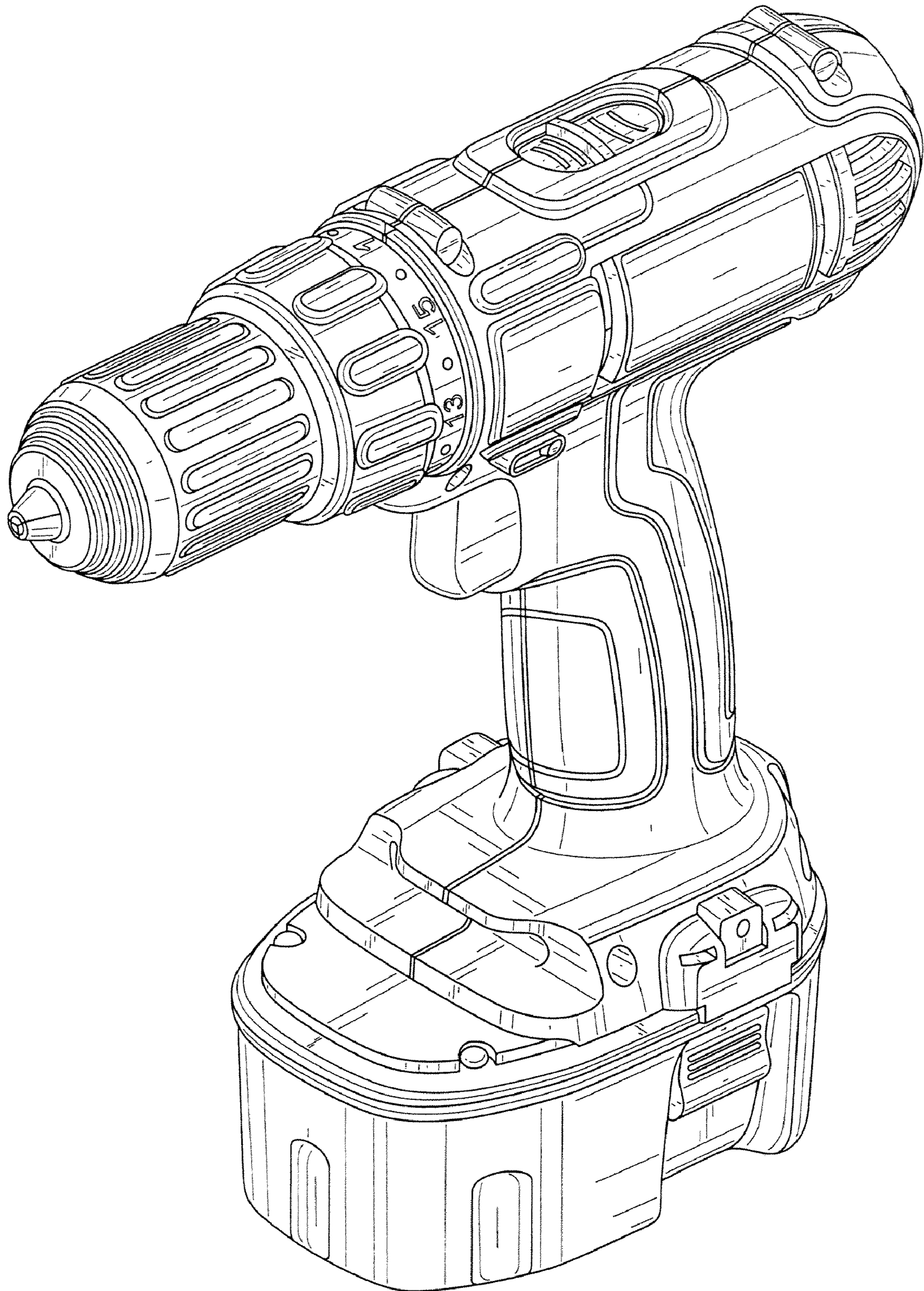


FIG. 15

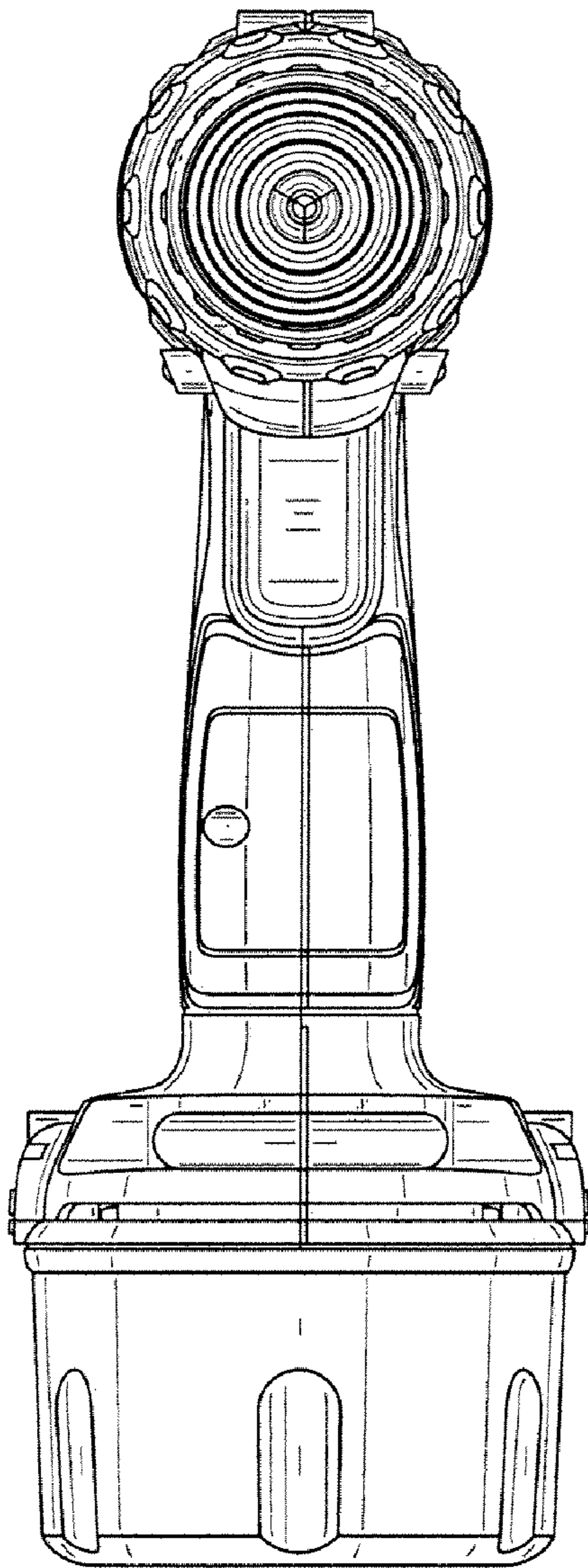


FIG. 16

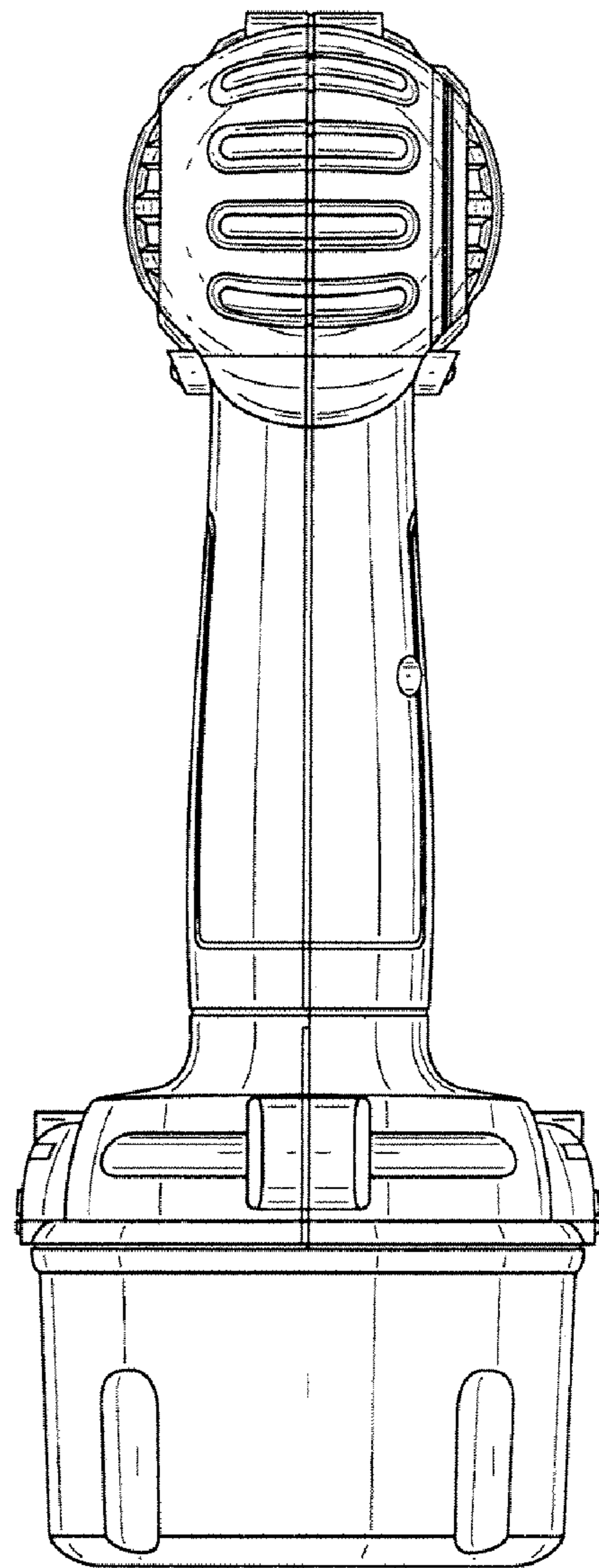


FIG. 17

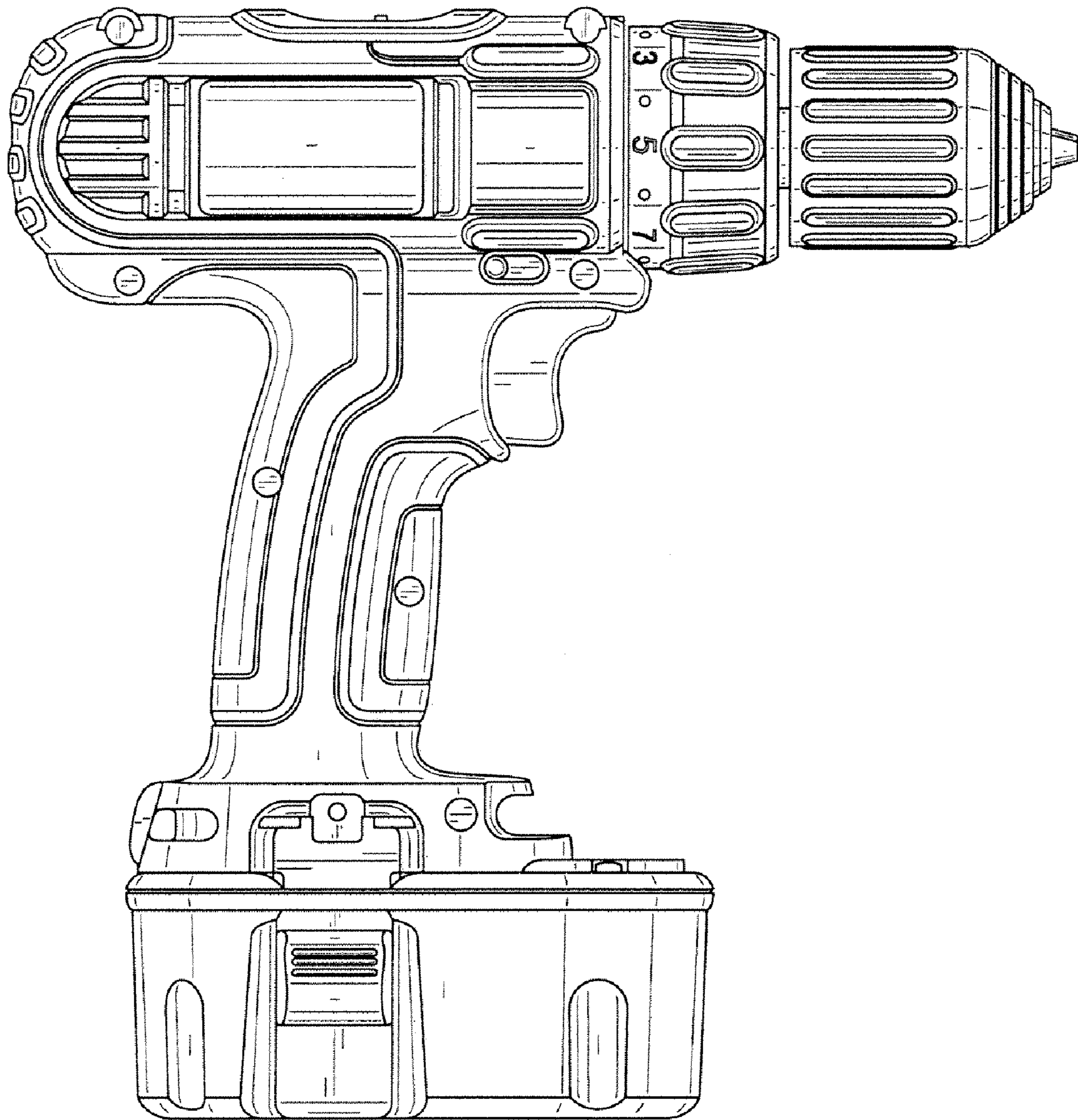


FIG. 18

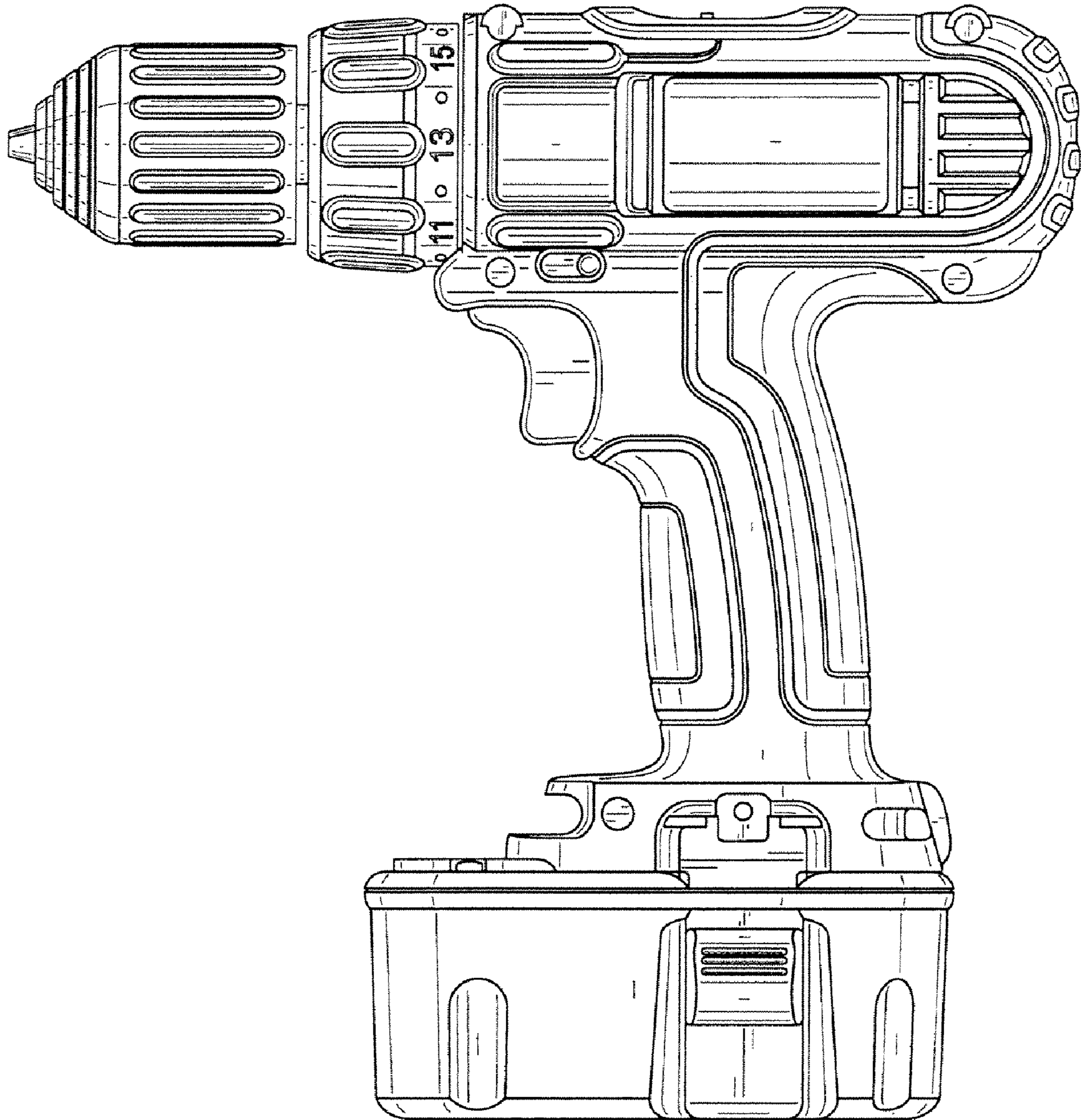


FIG. 19

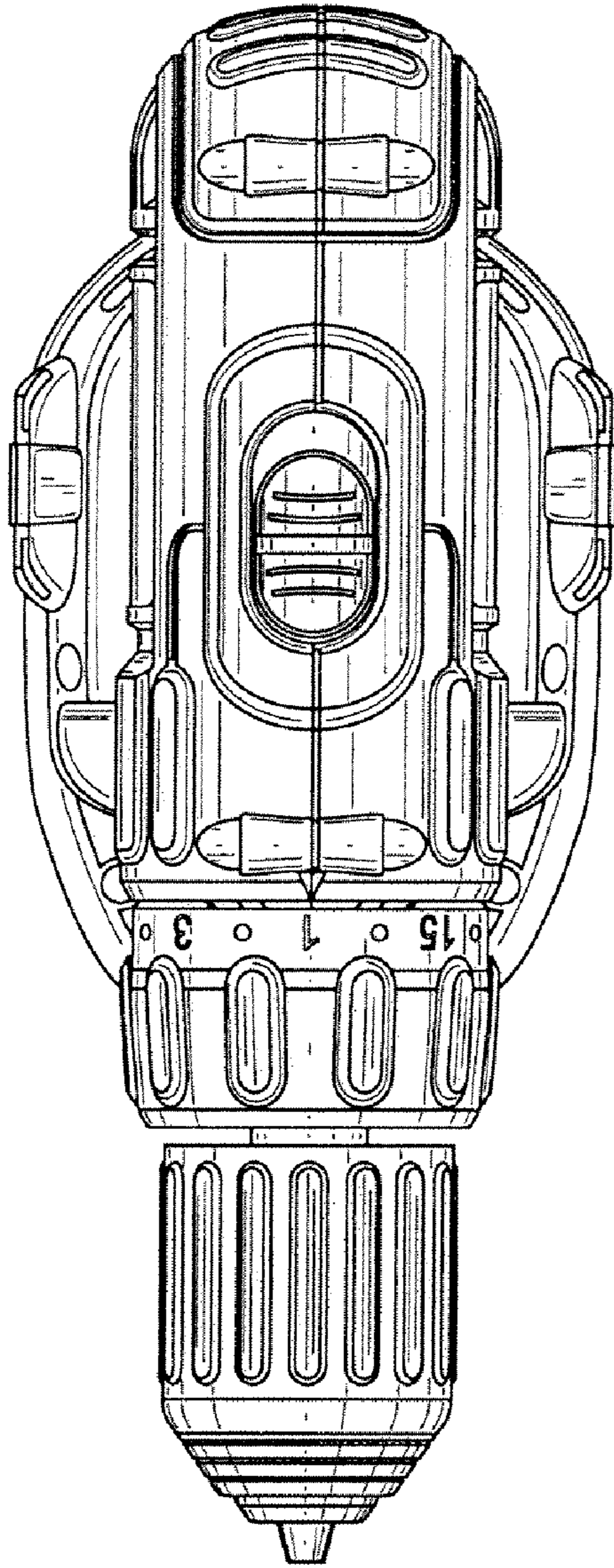


FIG. 20

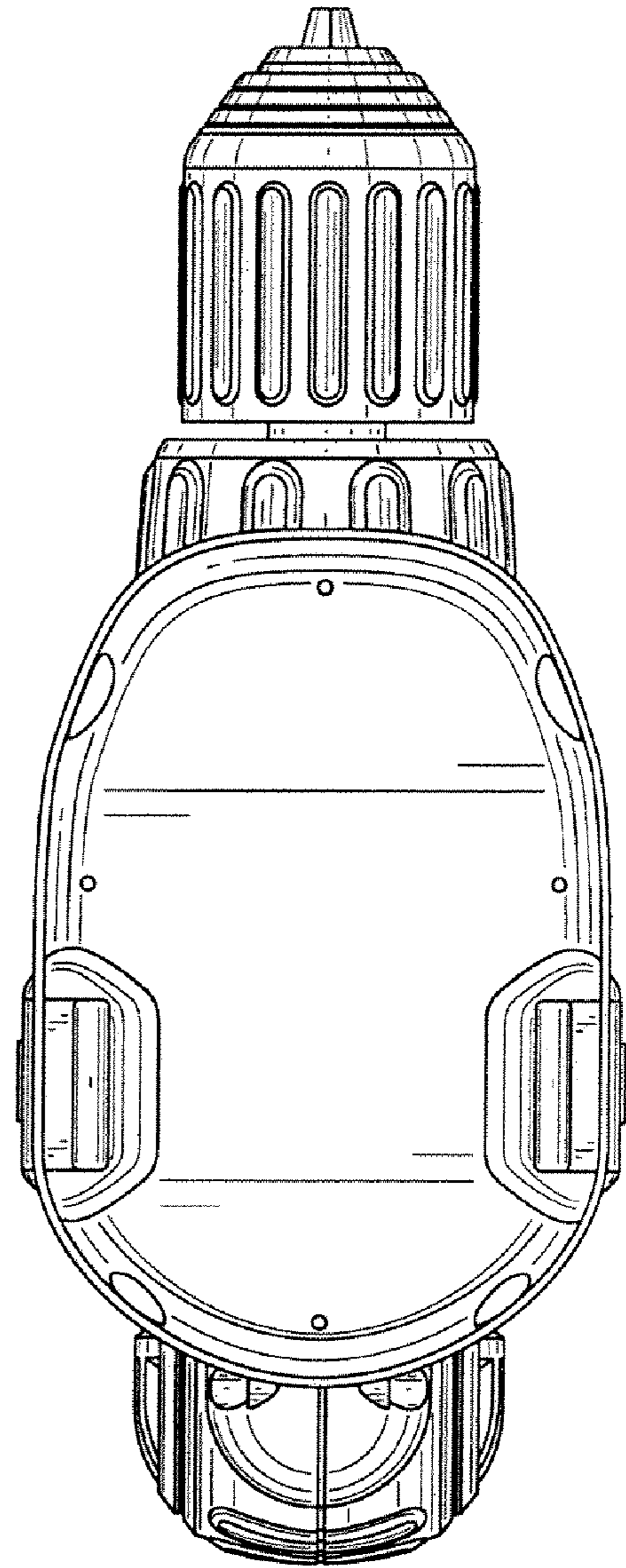


FIG. 21