



US00D608172S

(12) **United States Design Patent**
Wroblewski

(10) **Patent No.:** **US D608,172 S**

(45) **Date of Patent:** **** Jan. 19, 2010**

(54) **SAFE SCISSORS**

(75) Inventor: **Mariusz Wroblewski**, 72 Hill Station Rd., Southampton, NY (US) 11968

(73) Assignee: **Mariusz Wroblewski**, Southampton, NY (US)

(**) Term: **14 Years**

(21) Appl. No.: **29/312,461**

(22) Filed: **Oct. 22, 2008**

(51) **LOC (9) Cl.** **08-03**

(52) **U.S. Cl.** **D8/57**

(58) **Field of Classification Search** D8/4, D8/5, 53, 55, 57, 58, 105, 107; 30/131, 195, 30/229, 194, 230-235, 268, 350, 254-258; 7/135, 136; D21/532; D27/195; D28/56, D28/57

See application file for complete search history.

(56) **References Cited**

U.S. PATENT DOCUMENTS

1,093,432 A * 4/1914 Kalina 30/255

1,681,691 A * 8/1928 Altenbach 7/123
D159,305 S * 7/1950 Tuttle et al. D8/57
3,486,227 A * 12/1969 Somervell 30/250
D249,631 S * 9/1978 Hellmann D8/57
D297,206 S * 8/1988 Hayashi D8/57
D297,207 S * 8/1988 Hayashi D8/57
D331,867 S * 12/1992 Rommerdale D8/57

* cited by examiner

Primary Examiner—Cathron C Brooks

Assistant Examiner—Deanna Fluegeman

(57) **CLAIM**

The ornamental design for safe scissors, as shown and described.

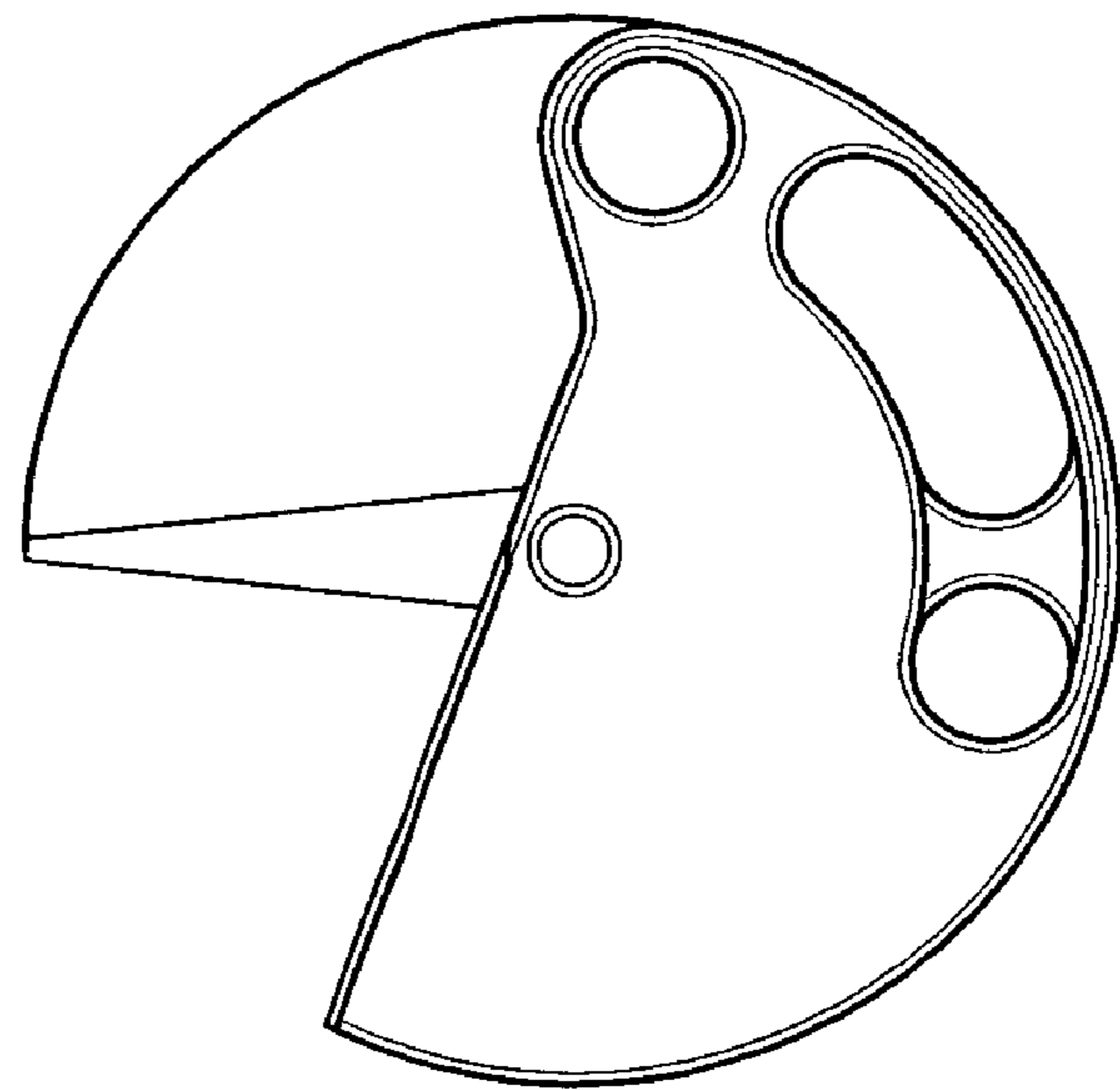
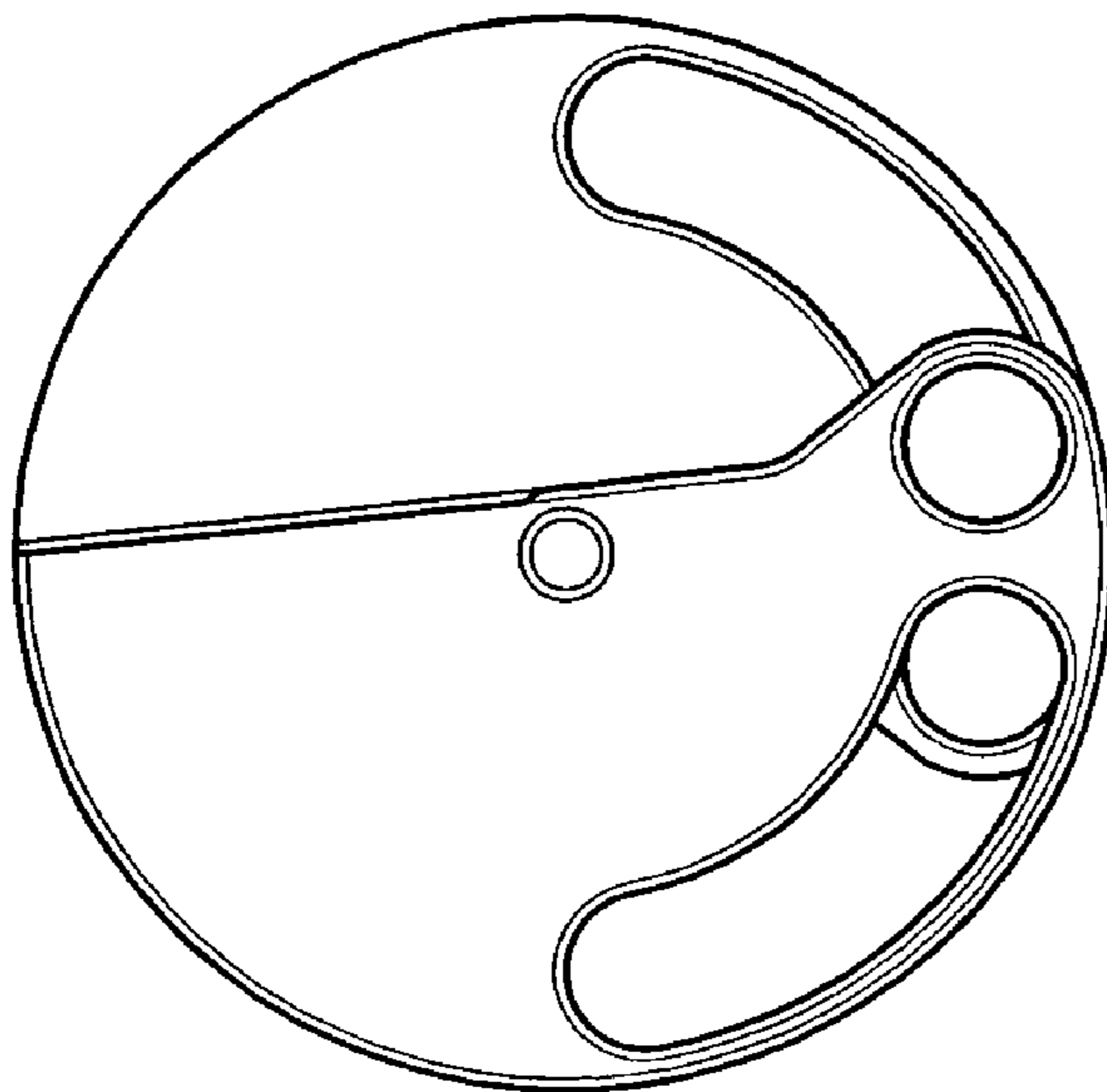
DESCRIPTION

FIG. 1 is a top view of the safe scissors of my new design, shown in a closed position;

FIG. 2 is a top view of the safe scissors of my new design, shown in an open position; and,

FIG. 3 is a side view of the safe scissors of my new design.

1 Claim, 1 Drawing Sheet



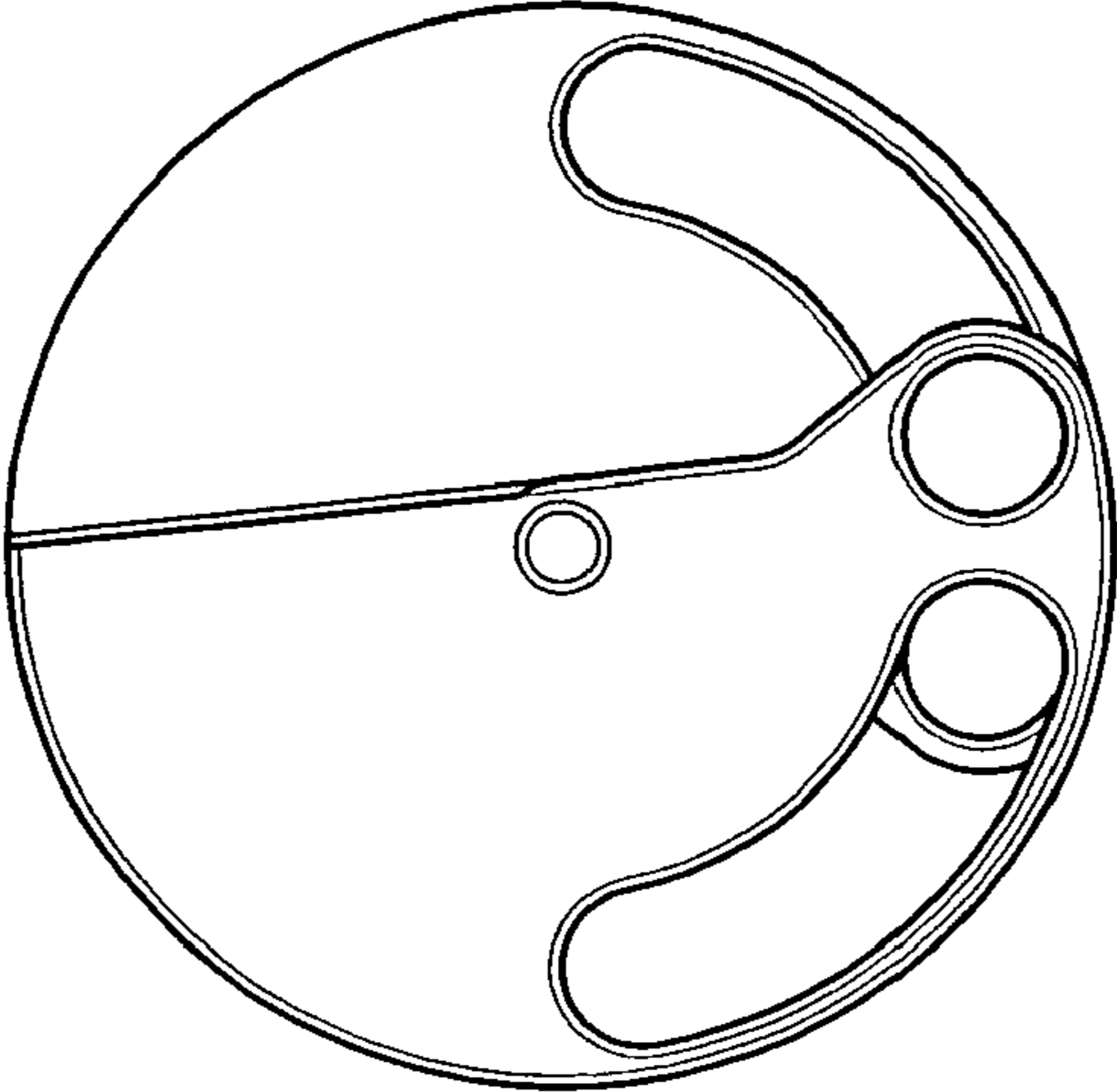


FIG. 1

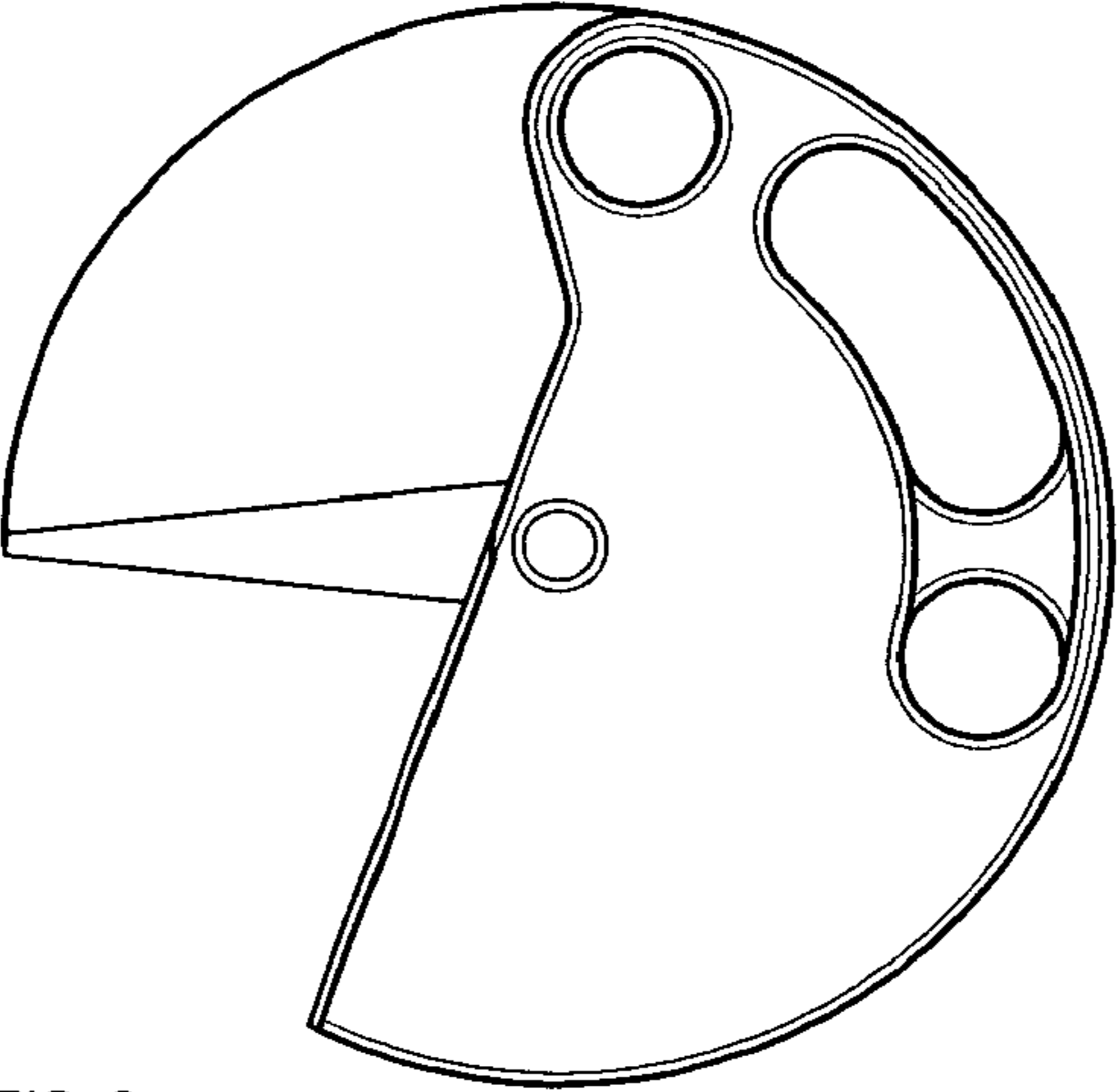


FIG. 2



FIG. 3