



US00D608171S

(12) **United States Design Patent**
Trewartha et al.

(10) **Patent No.:** **US D608,171 S**
(45) **Date of Patent:** **** Jan. 19, 2010**

(54) **BUNCHER**

D582,232 S * 12/2008 Nakamura et al. D8/50

(75) Inventors: **Samuel Dean Trewartha**, Crows Nest (AU); **Peter Noel Cooper**, East Sydney (AU); **Kenneth James Gleason, II**, Verona, WI (US); **Douglas Nelson**, Madison, WI (US); **Eric Williams**, Verona, WI (US); **Steve Wittman**, Sun Prairie, WI (US); **Lisa Painter**, Madison, WI (US); **Peter Russo**, Bedford, MA (US)

OTHER PUBLICATIONS
U.S. Appl. No. 29/332,436, filed Jan. 16, 2009, Trewartha et al.
Fiskars Craft Products Catalog 2008, p. 92.

* cited by examiner

Primary Examiner—Cathron C Brooks
Assistant Examiner—Deanna Fluegeman
(74) *Attorney, Agent, or Firm*—Foley & Lardner LLP

(73) Assignee: **Fiskars Brands, Inc.**, Madison, WI (US)

(57) **CLAIM**

(**) Term: **14 Years**

We claim the ornamental design for a buncher, as shown and described.

(21) Appl. No.: **29/330,614**

DESCRIPTION

(22) Filed: **Jan. 9, 2009**

FIG. 1 is a perspective view of a buncher showing our new design;

(51) **LOC (9) Cl.** **08-05**

FIG. 2 is a left side view thereof;

(52) **U.S. Cl.** **D8/56; D8/50**

FIG. 3 is a top view thereof;

(58) **Field of Classification Search** D8/1,
D8/4, 14, 51–58, 60, 105–107, 50; D19/72,
D19/100; 223/44, 46; 227/140, 144, 146,
227/147, 149

FIG. 4 is a right side view thereof;

FIG. 5 is a rear view thereof;

FIG. 6 is a front view thereof;

See application file for complete search history.

FIG. 7 is a bottom view thereof;

(56) **References Cited**

FIG. 8 is a perspective view of another embodiment of a buncher showing our new design;

U.S. PATENT DOCUMENTS

FIG. 9 is a left side view of the buncher of FIG. 8;

D152,374	S	*	1/1949	Score	D8/56
3,225,976	A	*	12/1965	Goldfarb	223/46
3,314,272	A	*	4/1967	Dahl	D8/56
D237,453	S	*	11/1975	Perrino	D8/56
5,407,108	A	*	4/1995	Hambright	223/46
5,662,250	A	*	9/1997	Werling	223/46
D416,455	S	*	11/1999	Wai	D8/51
D434,443	S	*	11/2000	Mori et al.	D19/72
D472,436	S	*	4/2003	Scola et al.	D8/50
D548,033	S	*	8/2007	Russo et al.	D8/51
D573,856	S	*	7/2008	Nakamura et al.	D8/50
D574,681	S	*	8/2008	Nakamura et al.	D8/50

FIG. 10 is a top view of the buncher of FIG. 8.

FIG. 11 is a right side view of the buncher of FIG. 8;

FIG. 12 is a rear view of the buncher of FIG. 8;

FIG. 13 is a front view of the buncher of FIG. 8; and,

FIG. 14 is a bottom view of the buncher of FIG. 8.

The broken lines in FIGS. 8–14 illustrate unclaimed portions of the buncher and form no part of the claimed design.

1 Claim, 6 Drawing Sheets

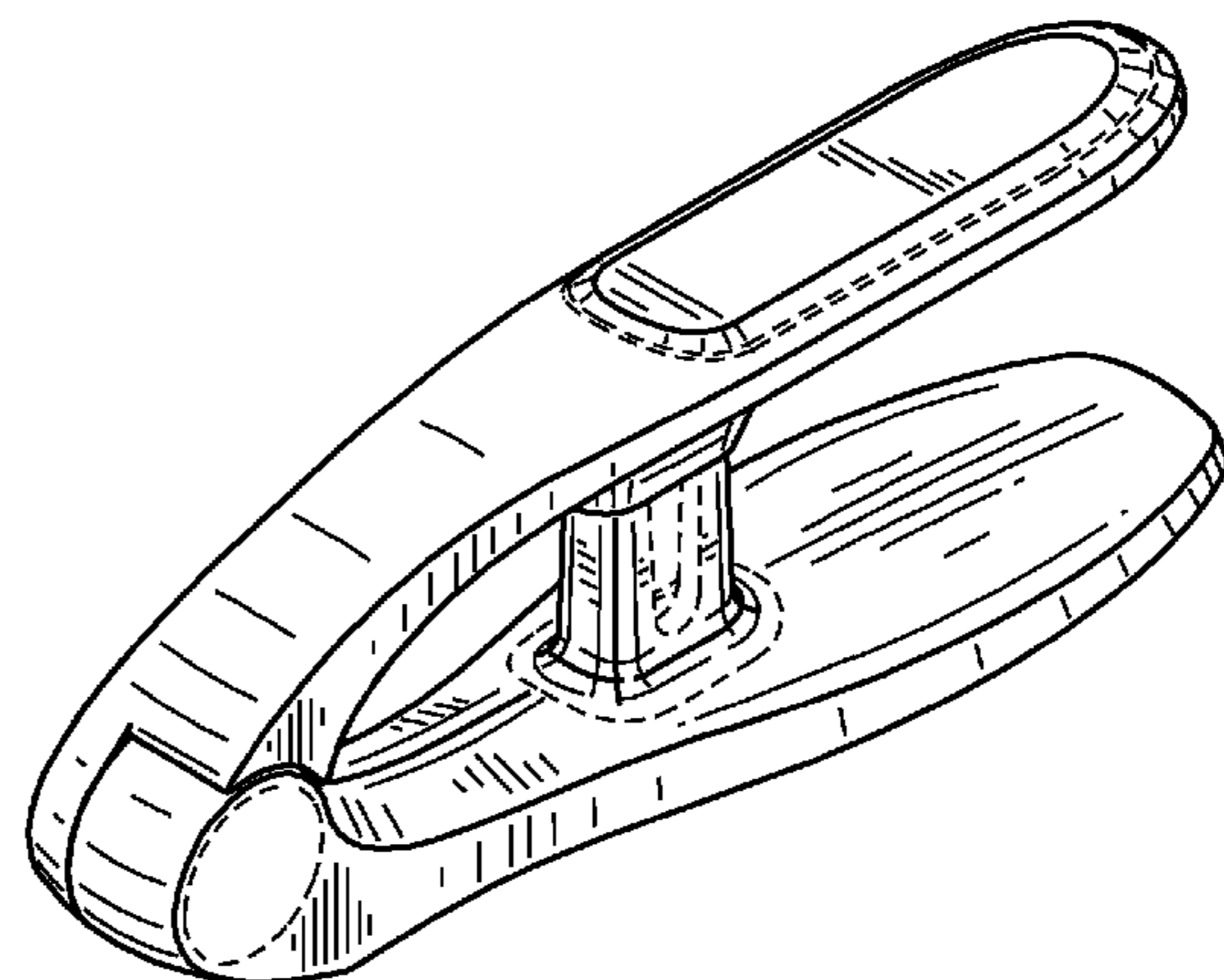
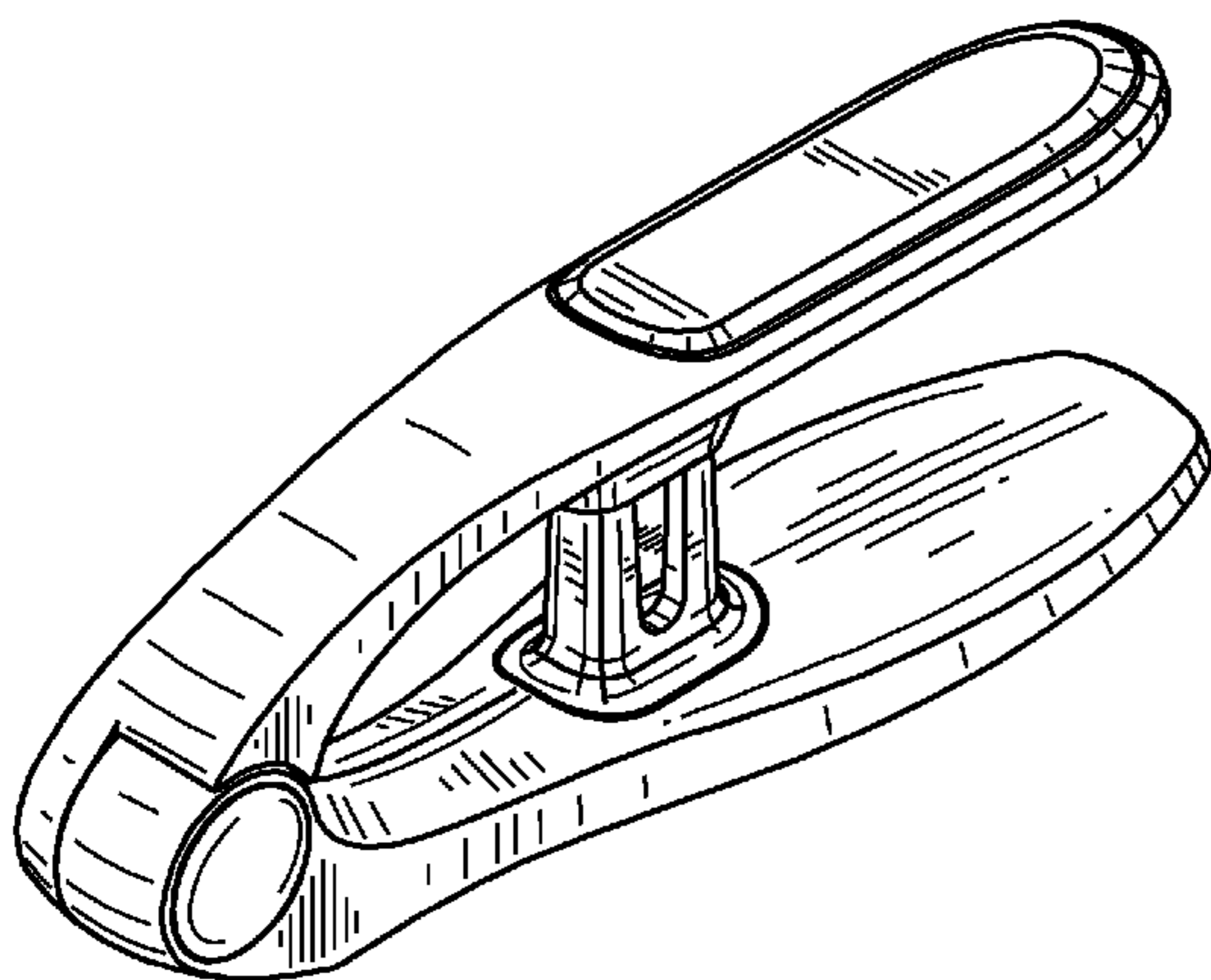


FIG. 1

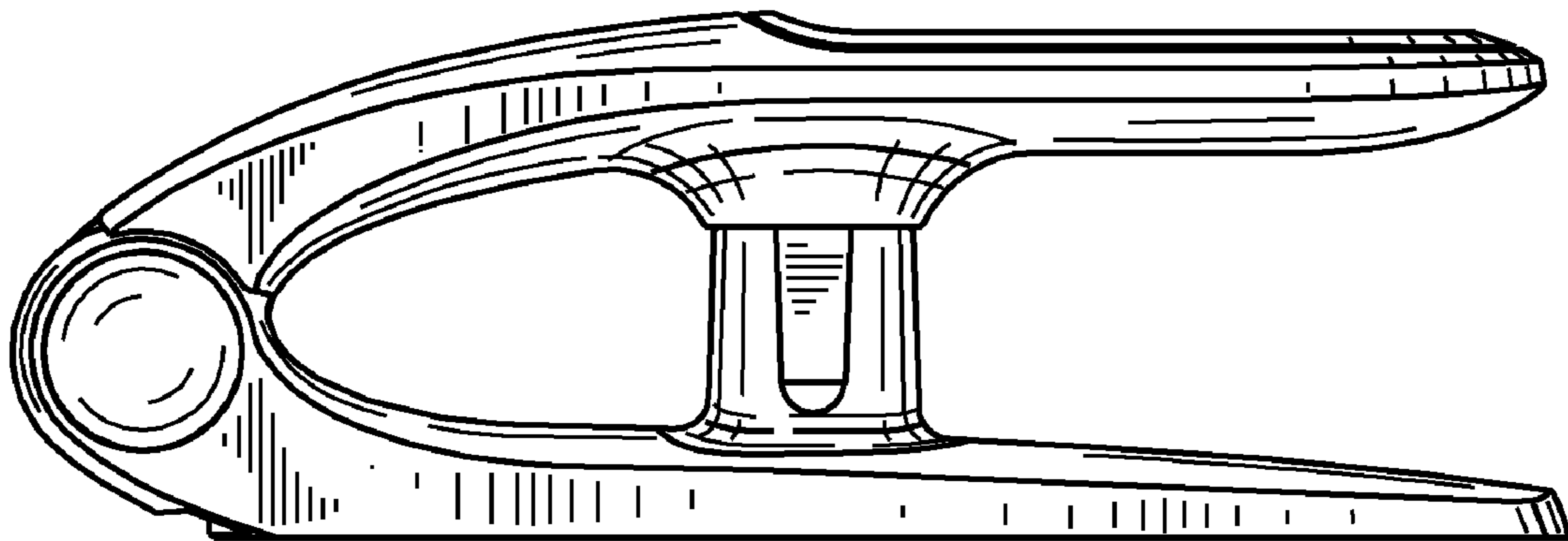
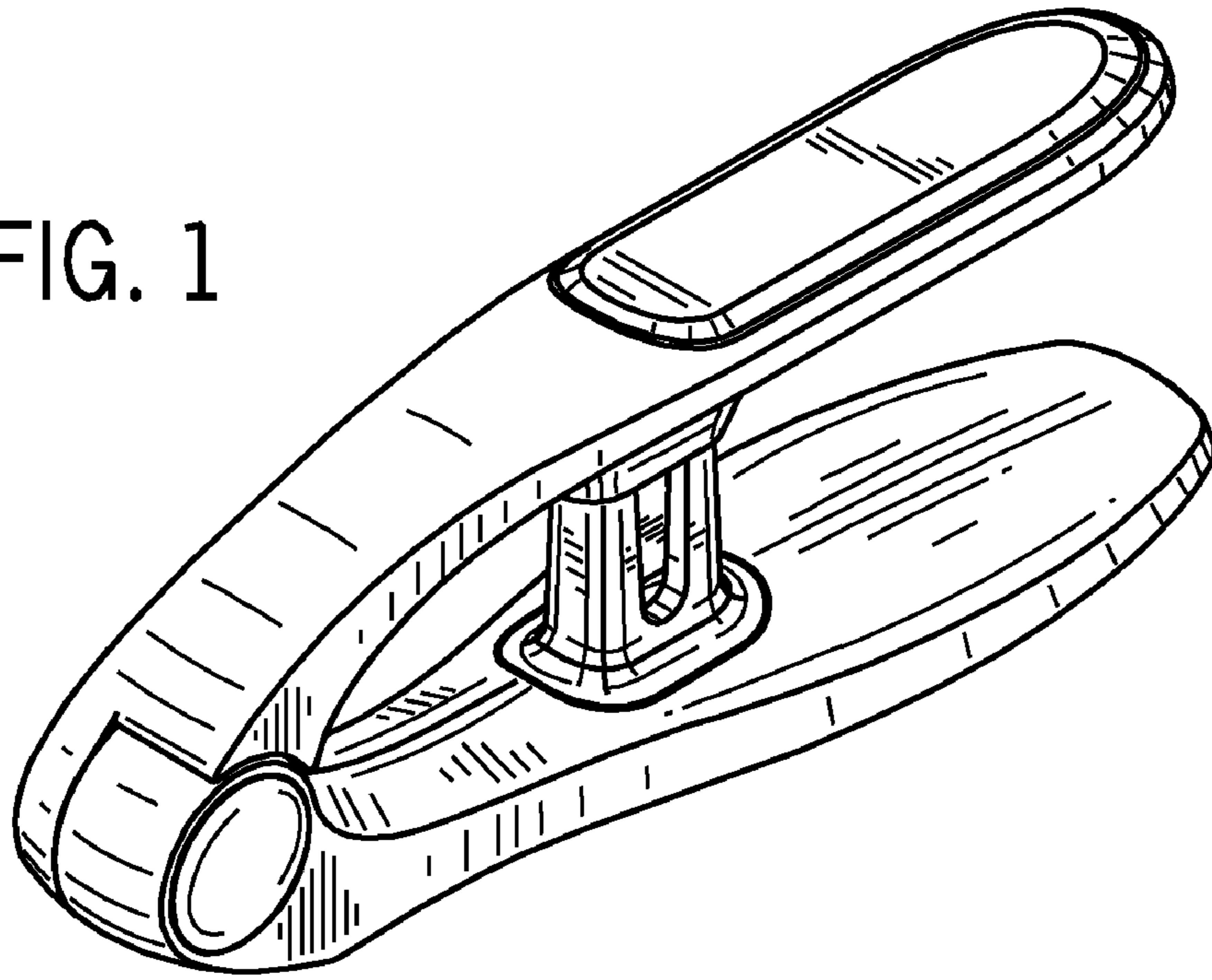


FIG. 2

FIG. 3

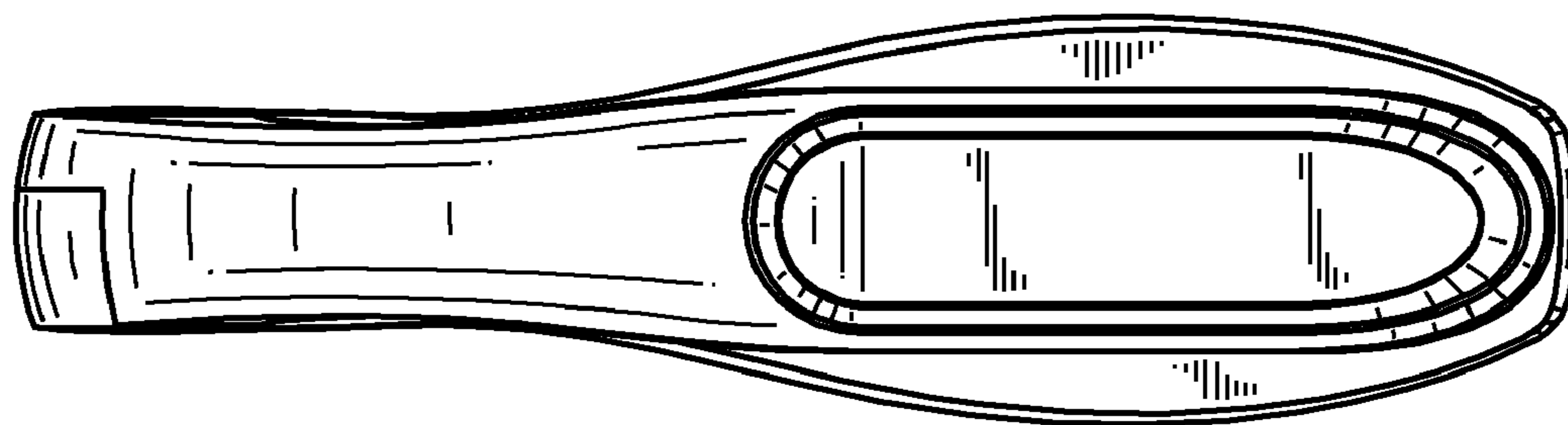


FIG. 4

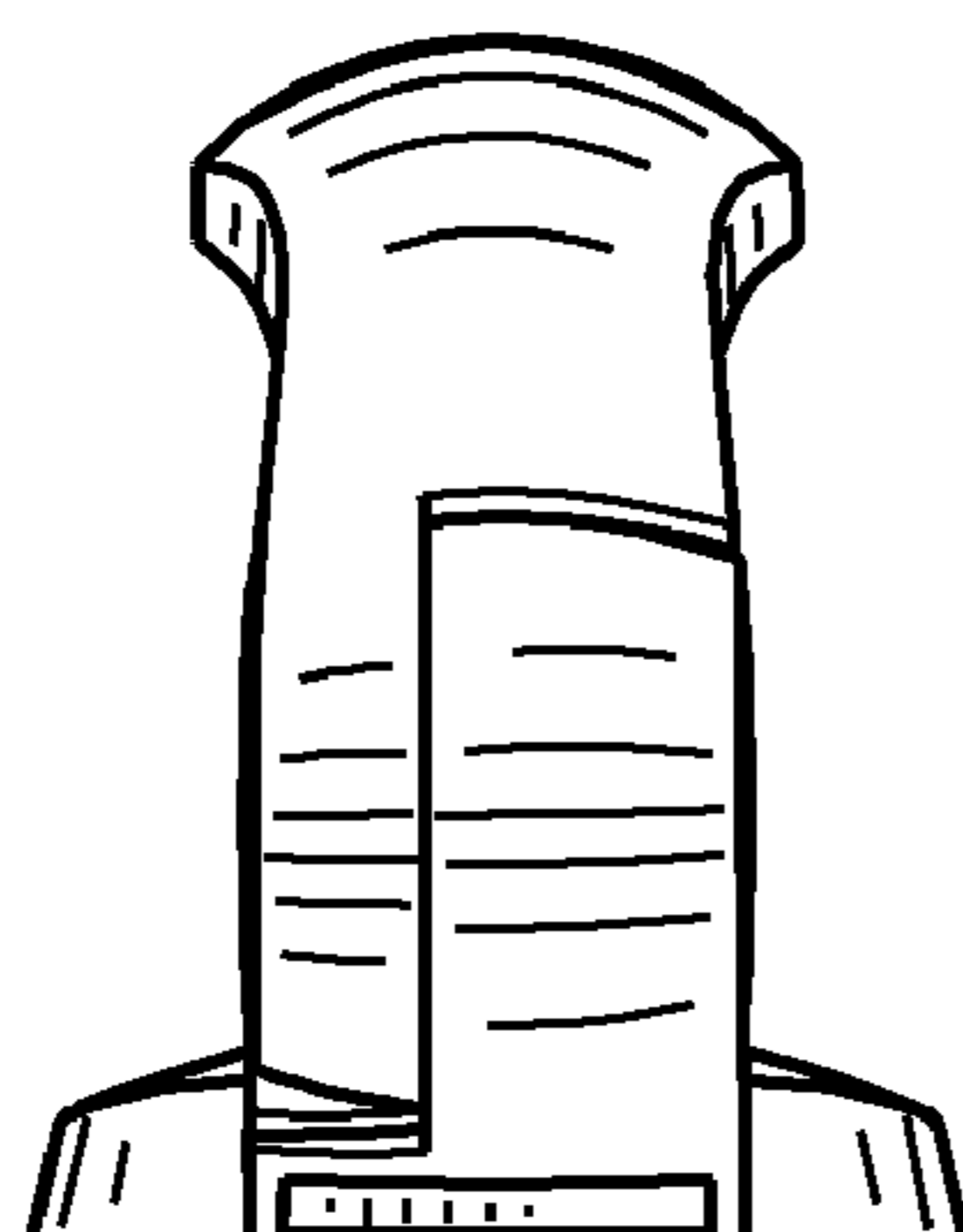
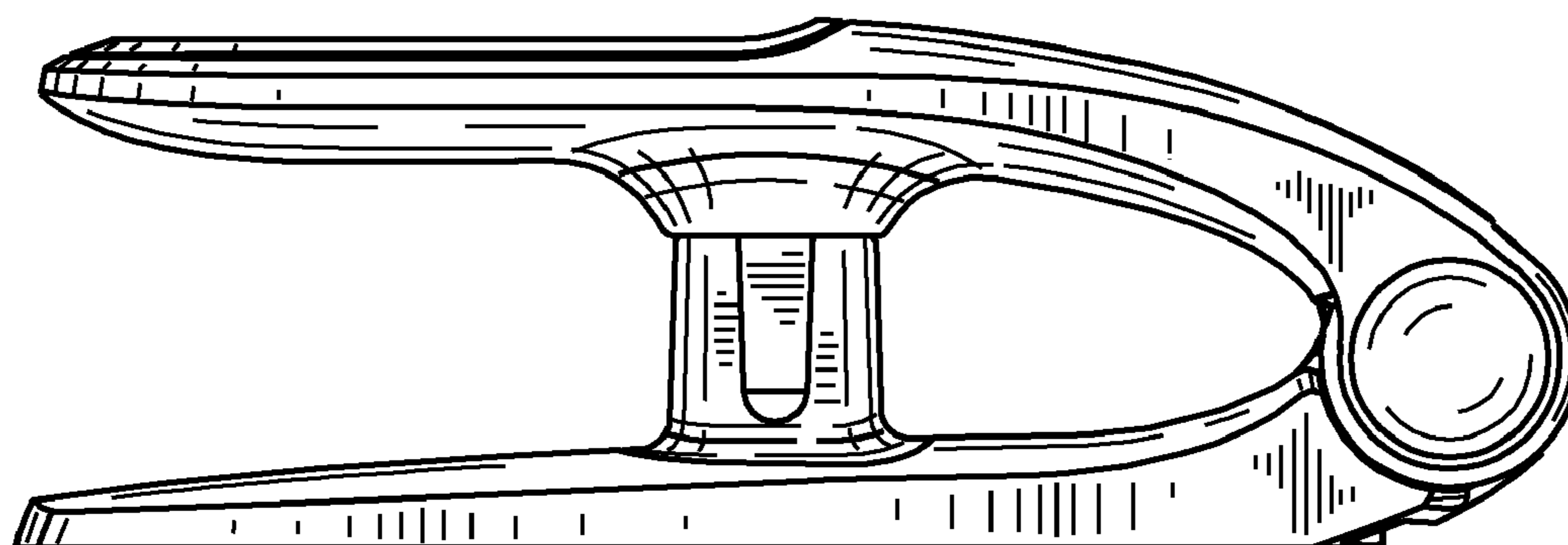


FIG. 5

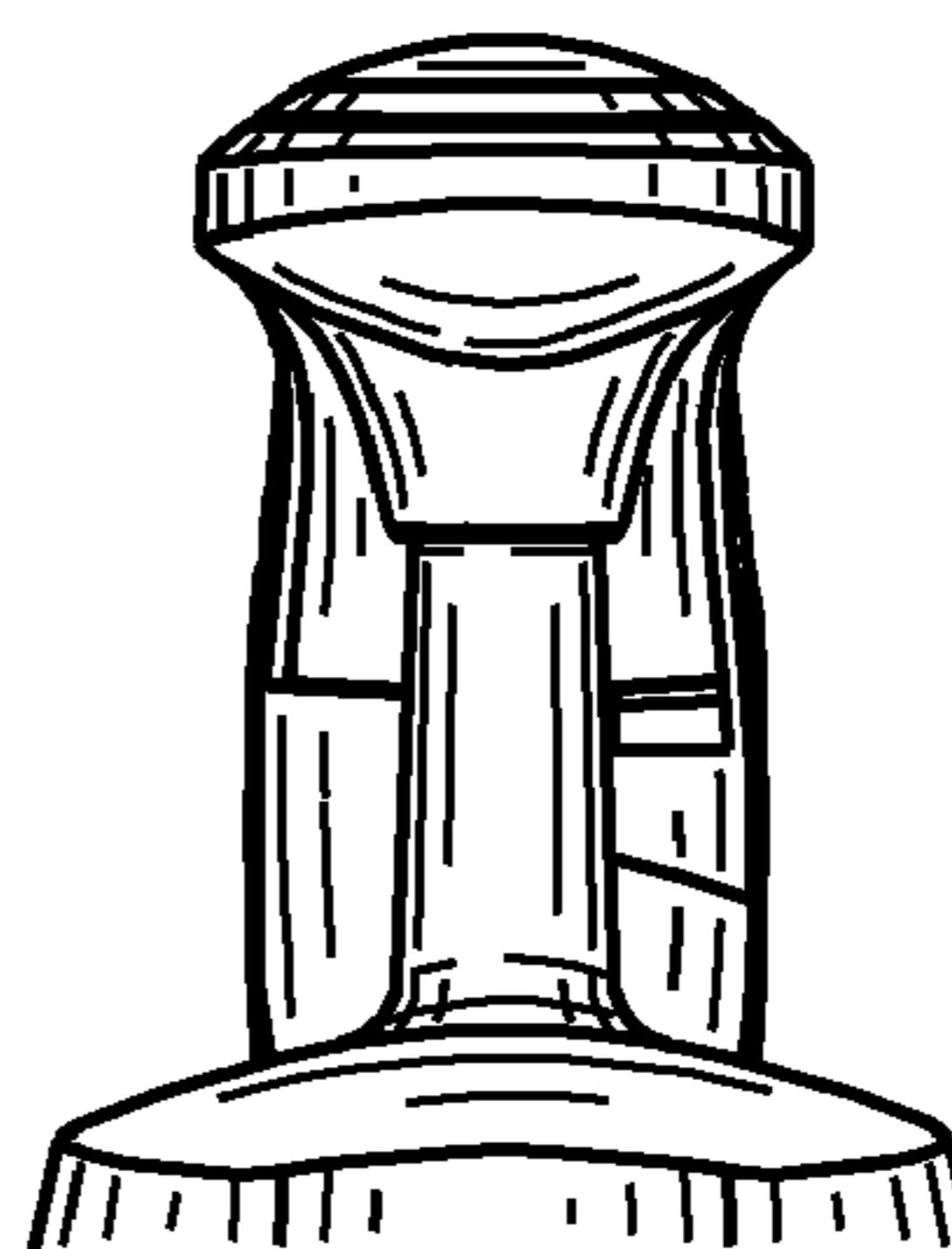


FIG. 6

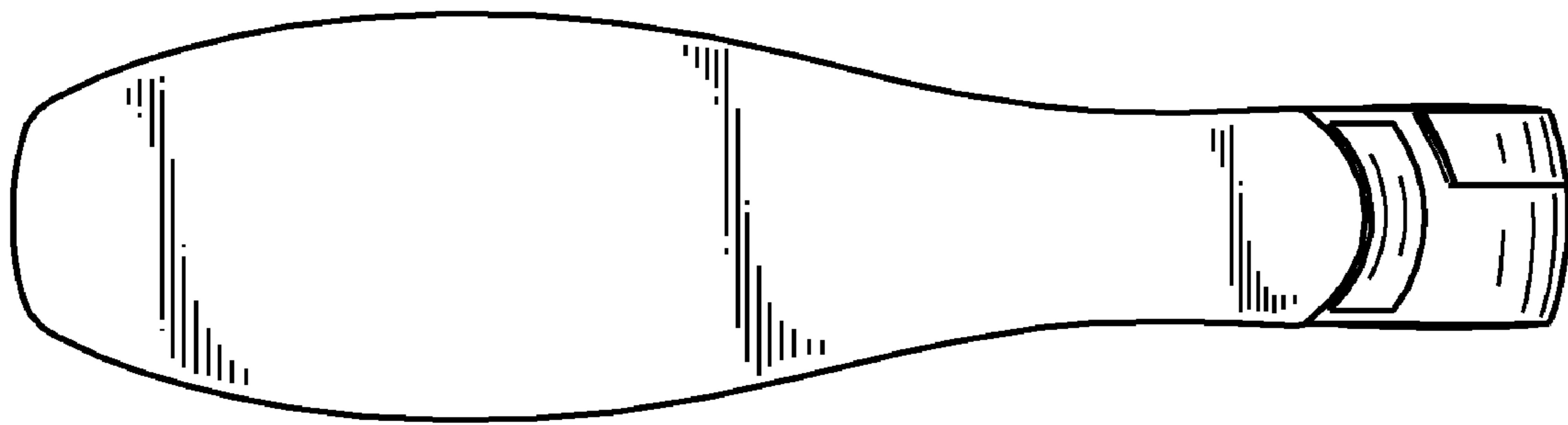


FIG. 7

FIG. 8

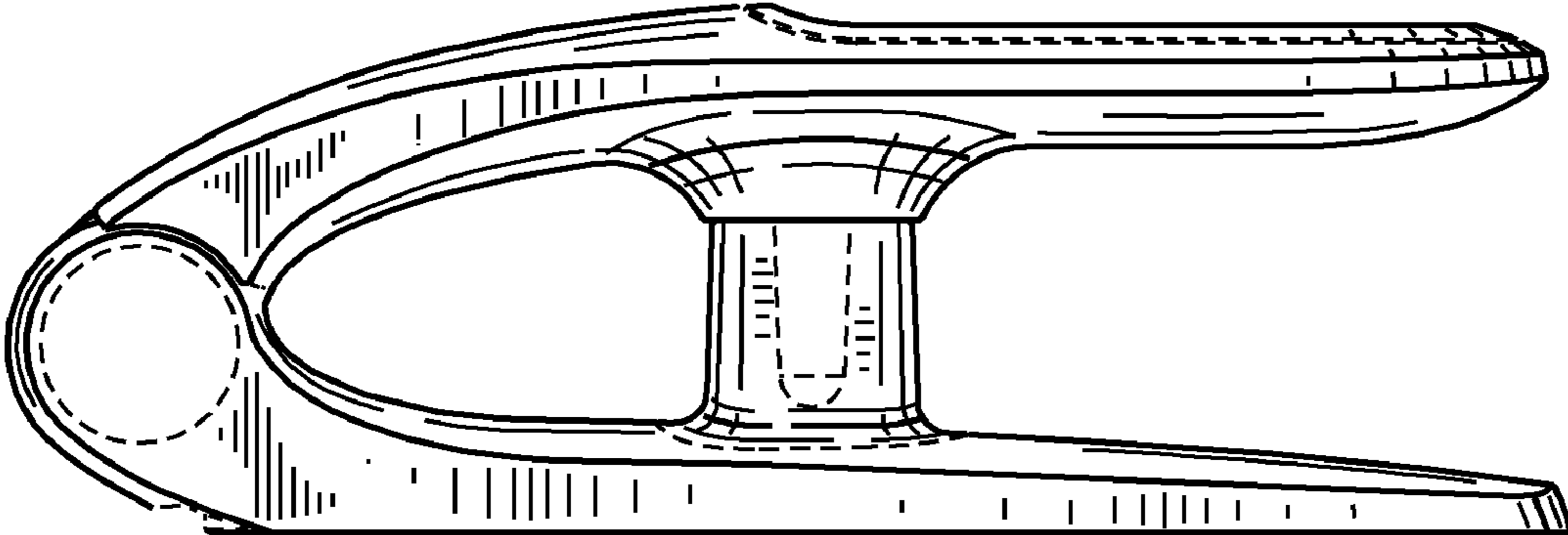
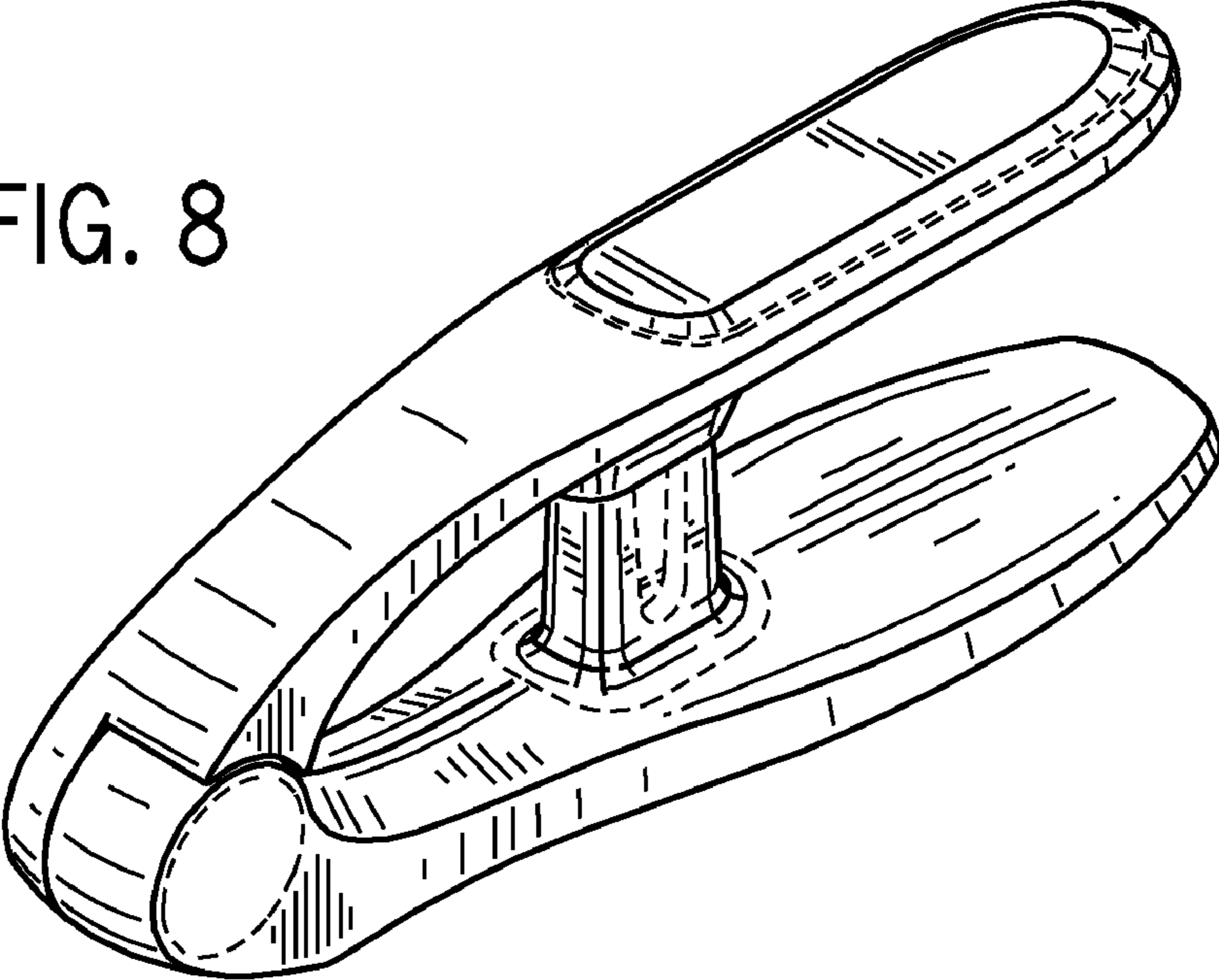


FIG. 9

FIG. 10

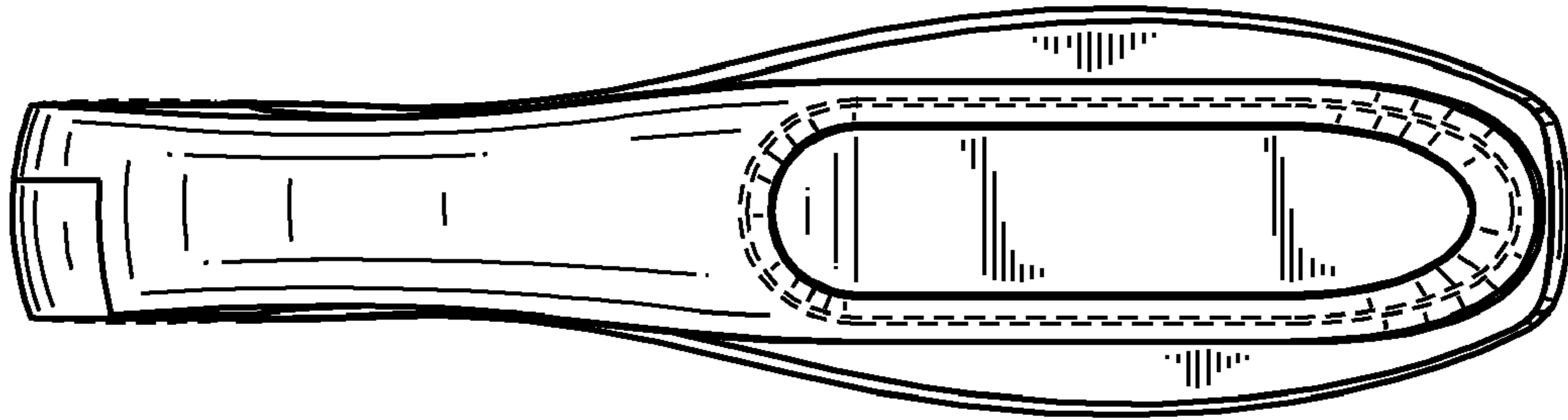


FIG. 11

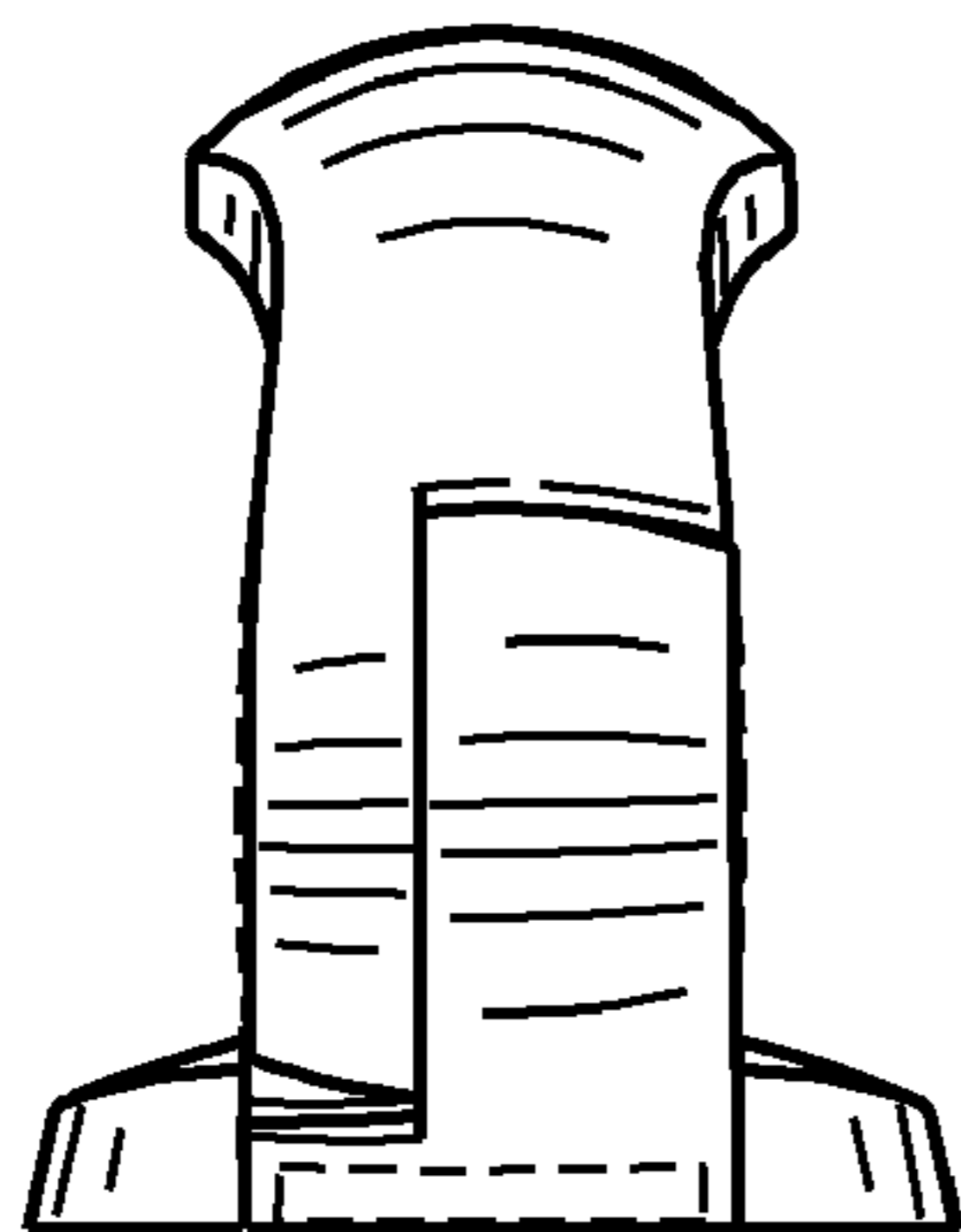
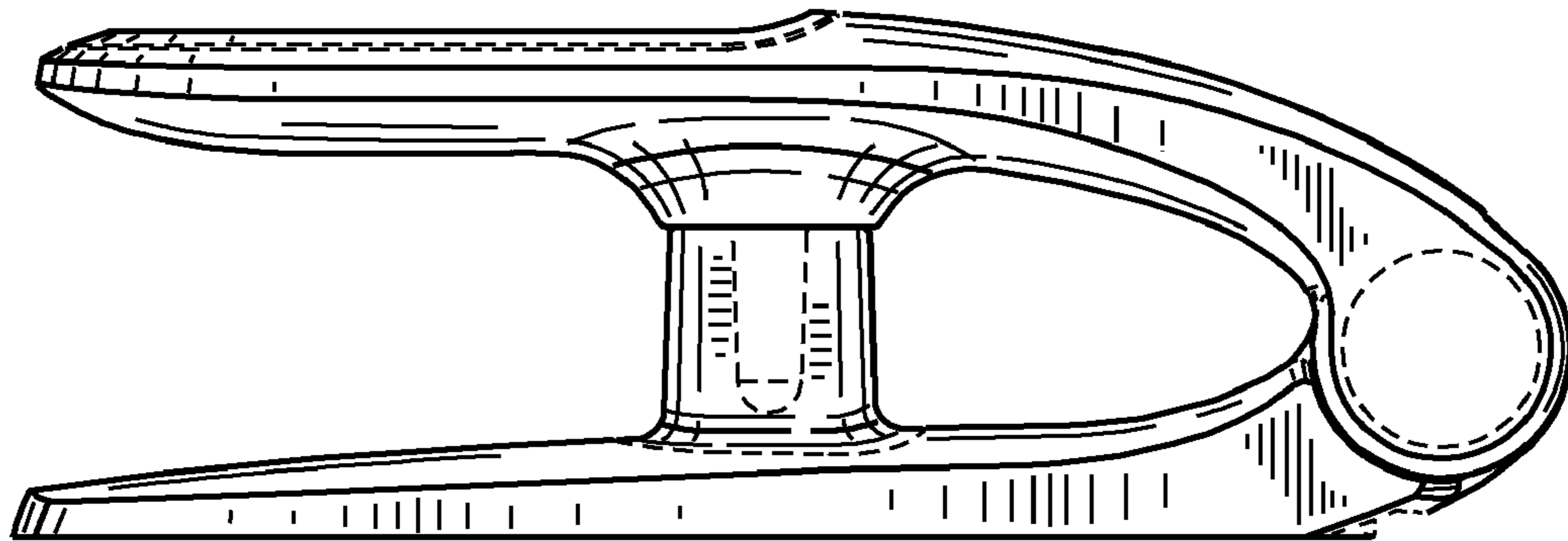


FIG. 12

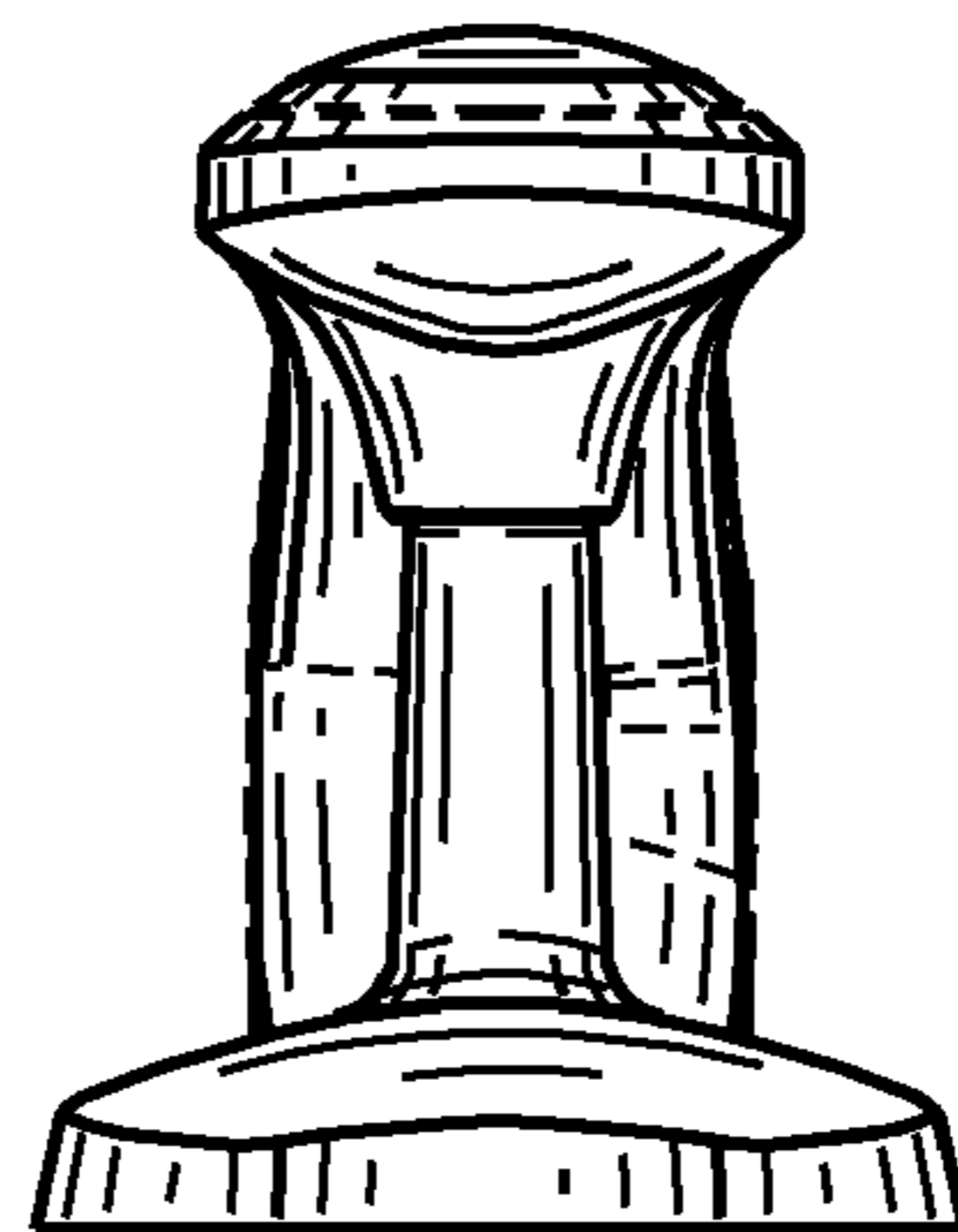


FIG. 13

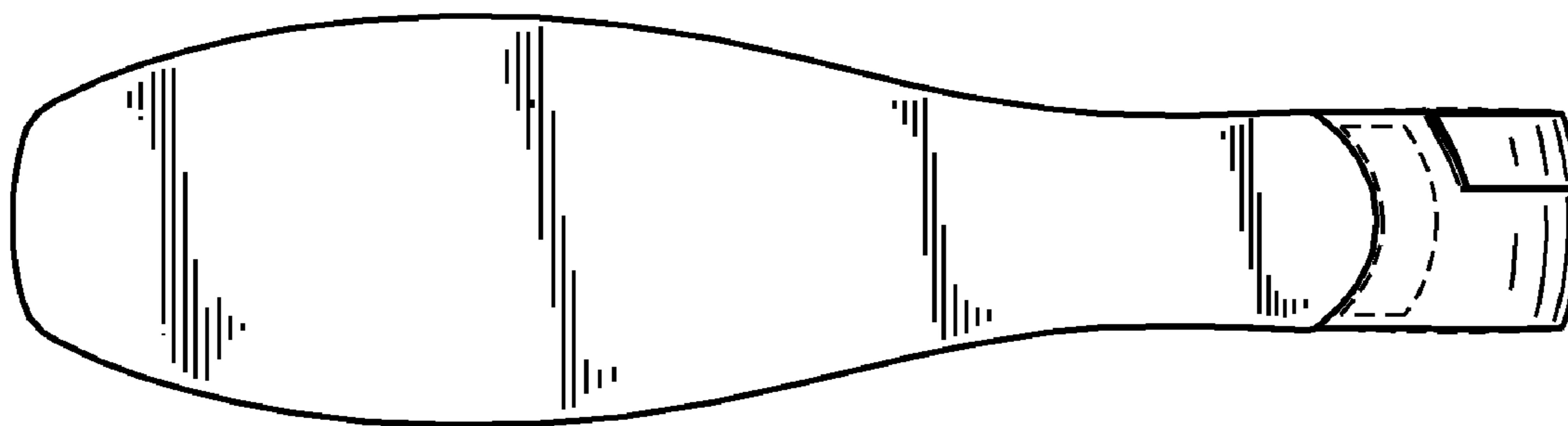


FIG. 14