



US00D608170S

(12) **United States Design Patent**  
**Maddox**

(10) **Patent No.:** **US D608,170 S**  
(45) **Date of Patent:** **\*\* Jan. 19, 2010**

(54) **PICKUP TOOL**  
(75) Inventor: **Jerry Beals Maddox**, Sanford, NC (US)  
(73) Assignee: **Pickup Tool Partnership LLP/LP**,  
Saanford, NC (US)  
(\*\*) Term: **14 Years**  
(21) Appl. No.: **29/313,522**  
(22) Filed: **Jan. 16, 2009**

(51) **LOC (9) Cl.** ..... **08-05**  
(52) **U.S. Cl.** ..... **D8/52; D8/4; D8/57**  
(58) **Field of Classification Search** ..... D8/1,  
D8/4, 14, 51, 52, 57, 58; D34/28; 294/19.1,  
294/3, 11, 28, 50.9, 104, 50; 81/53.11, 418,  
81/427.5, 324, 381

See application file for complete search history.

(56) **References Cited**

**U.S. PATENT DOCUMENTS**

50,584 A \* 10/1865 Holly ..... 294/11  
102,785 A \* 5/1870 Douglass ..... 294/3  
103,920 A \* 6/1870 Percival ..... 294/11  
111,054 A \* 1/1871 George ..... 294/11  
867,296 A \* 10/1907 Park ..... 81/418  
2,055,270 A \* 9/1936 Villard et al. .... 81/427  
D107,419 S \* 12/1937 Gasser ..... D8/4

D291,769 S \* 9/1987 Lemcke ..... D8/4  
4,715,639 A \* 12/1987 Nicoletta et al. .... 294/99.2  
D323,772 S \* 2/1992 Sage ..... D8/51  
D355,574 S \* 2/1995 Fuller ..... D8/52  
5,386,744 A \* 2/1995 Garcia ..... 81/53.11  
D368,631 S \* 4/1996 Swierczynski ..... D8/51  
D371,731 S \* 7/1996 Maddox ..... D8/57  
6,527,321 B1 \* 3/2003 Kuciauskas ..... 294/118  
7,360,548 B1 \* 4/2008 Hince ..... 294/118

\* cited by examiner

*Primary Examiner*—Cathron C Brooks  
*Assistant Examiner*—Deanna Fluegeman

(57) **CLAIM**

The ornamental design for a pickup tool, as shown and described.

**DESCRIPTION**

FIG. 1 is a top plan view of a pickup tool showing my new design;

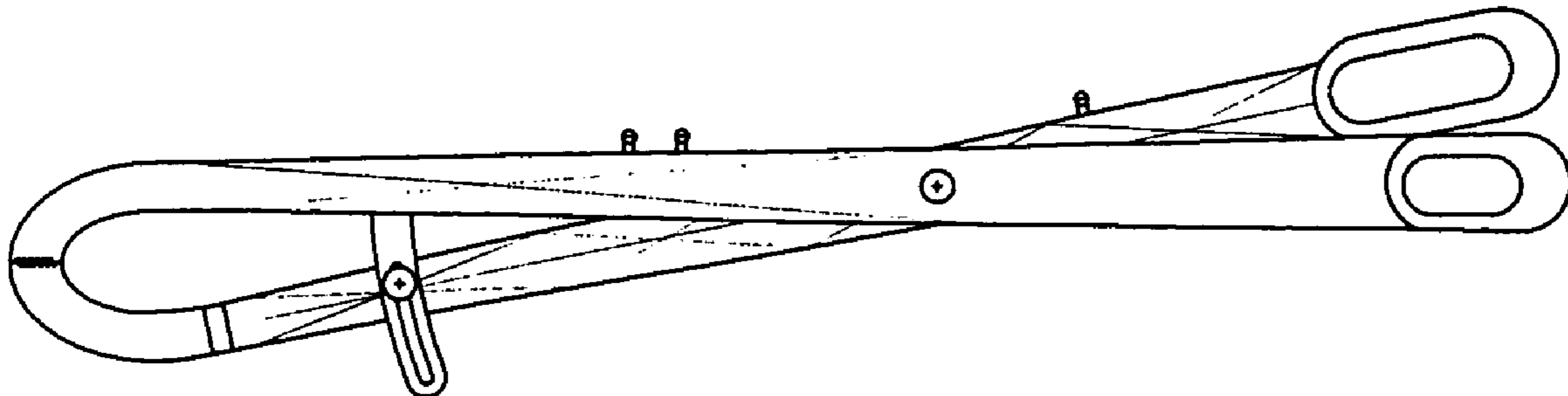
FIG. 2 is a bottom plan review thereof;

FIG. 3 is a left side elevational view thereof;

FIG. 4 is a right side elevation view thereof; and,

FIG. 5 is a bottom perspective view thereof; with the tool in open position.

**1 Claim, 1 Drawing Sheet**



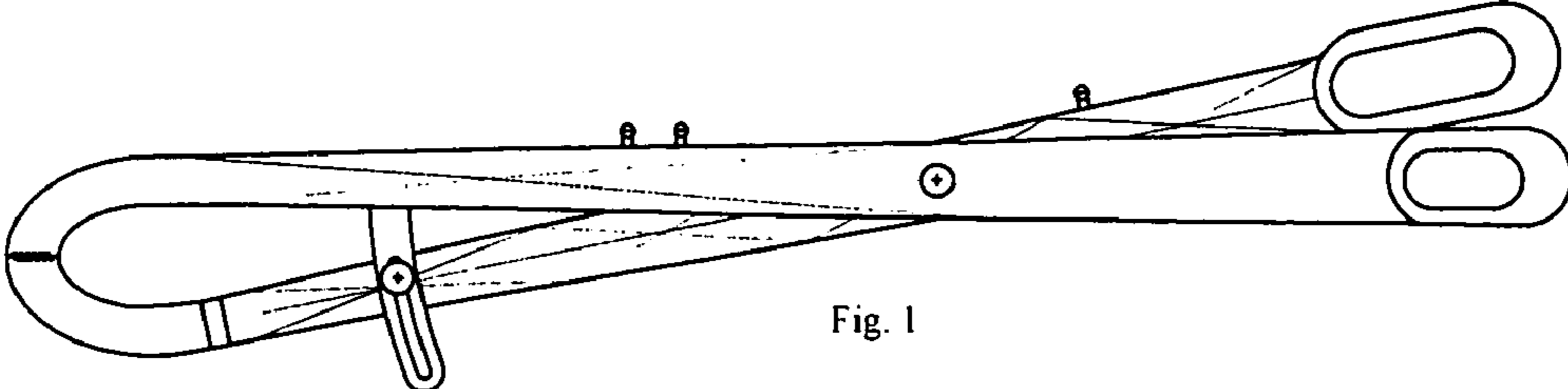


Fig. 1

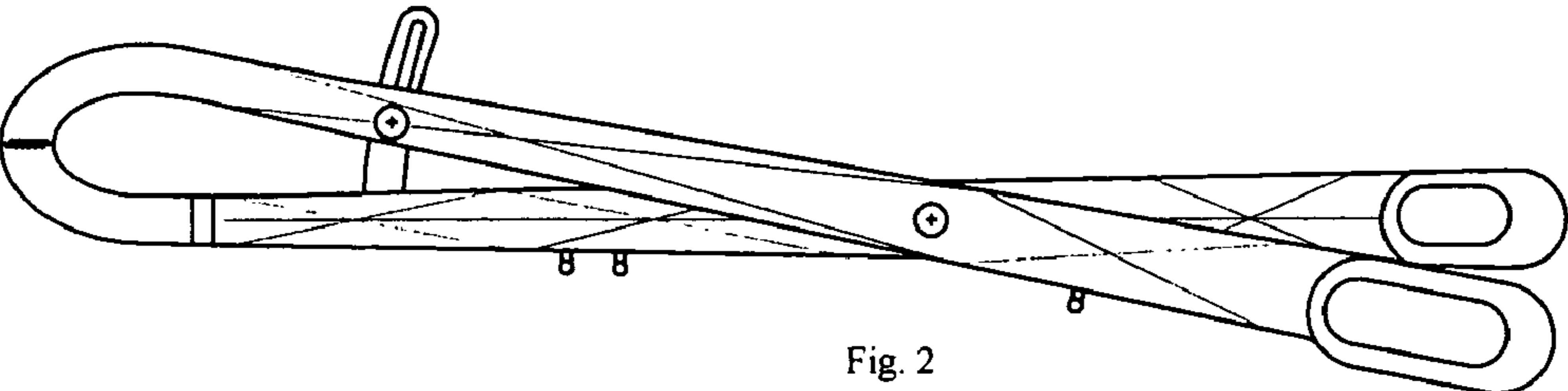


Fig. 2

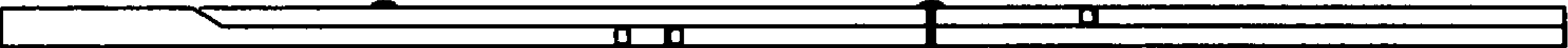


Fig. 3

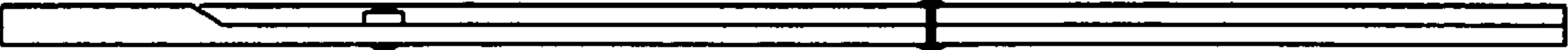


Fig. 4

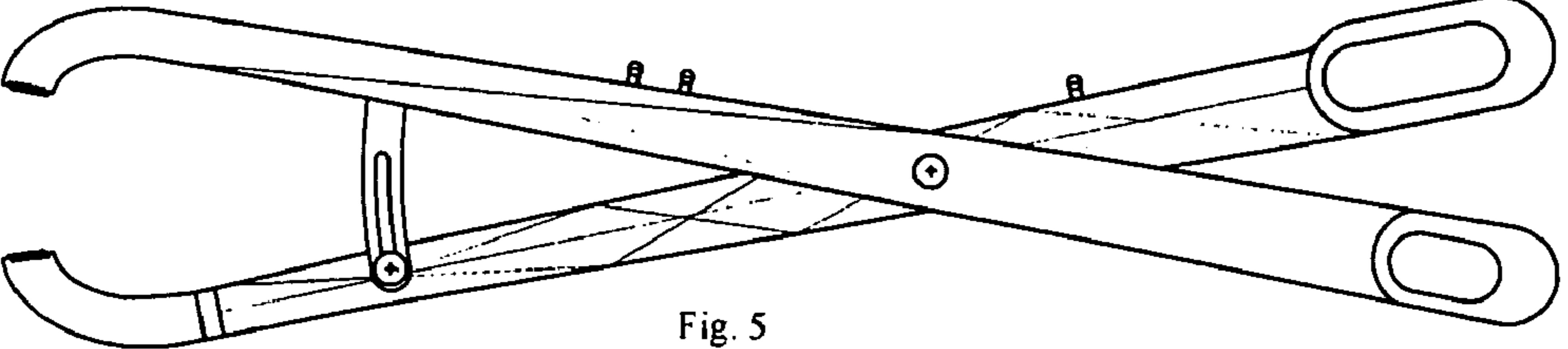


Fig. 5