

US00D608166S

(12) **United States Design Patent**  
**Lozenski**

(10) **Patent No.:** **US D608,166 S**

(45) **Date of Patent:** **\*\* Jan. 19, 2010**

(54) **TREE RING**

D515,370 S \* 2/2006 Huegel ..... D8/1  
D555,440 S \* 11/2007 Murray ..... D8/1  
D562,648 S \* 2/2008 Roberts ..... D8/1

(76) Inventor: **Christopher G Lozenski**, 934 Oakmont  
Dr., Lansing, KS (US) 66043

\* cited by examiner

(\*\*) Term: **14 Years**

*Primary Examiner*—Holly H Baynham

*Assistant Examiner*—Sheryl Lane

(21) Appl. No.: **29/333,135**

(74) *Attorney, Agent, or Firm*—Crossley Patent Law; Mark A.  
Crossley

(22) Filed: **Mar. 3, 2009**

(51) **LOC (9) Cl.** ..... **08-01**

(57) **CLAIM**

(52) **U.S. Cl.** ..... **D8/1**

The ornamental design for a tree ring, as shown and  
described.

(58) **Field of Classification Search** ..... D8/1;  
47/32, 32.5, 47, 32.7, 85

See application file for complete search history.

**DESCRIPTION**

(56) **References Cited**

FIG. 1 is a top plan view of a tree ring showing my new  
design;

U.S. PATENT DOCUMENTS

FIG. 2 is a bottom plan view thereof;

D295,491 S \* 5/1988 Drumheller ..... D8/1

FIG. 3 is a right elevation view thereof;

D408,231 S \* 4/1999 Bohn ..... D8/1

FIG. 4 is a left elevation view thereof; and,

D408,233 S \* 4/1999 Price ..... D8/1

FIG. 5 is an isometric view thereof.

D413,495 S \* 9/1999 Carter ..... D8/1

The broken lines shown in FIGS. 1, 2, and 5 represent perfo-  
rations and are part of the claimed design.

D419,042 S \* 1/2000 Price ..... D8/1

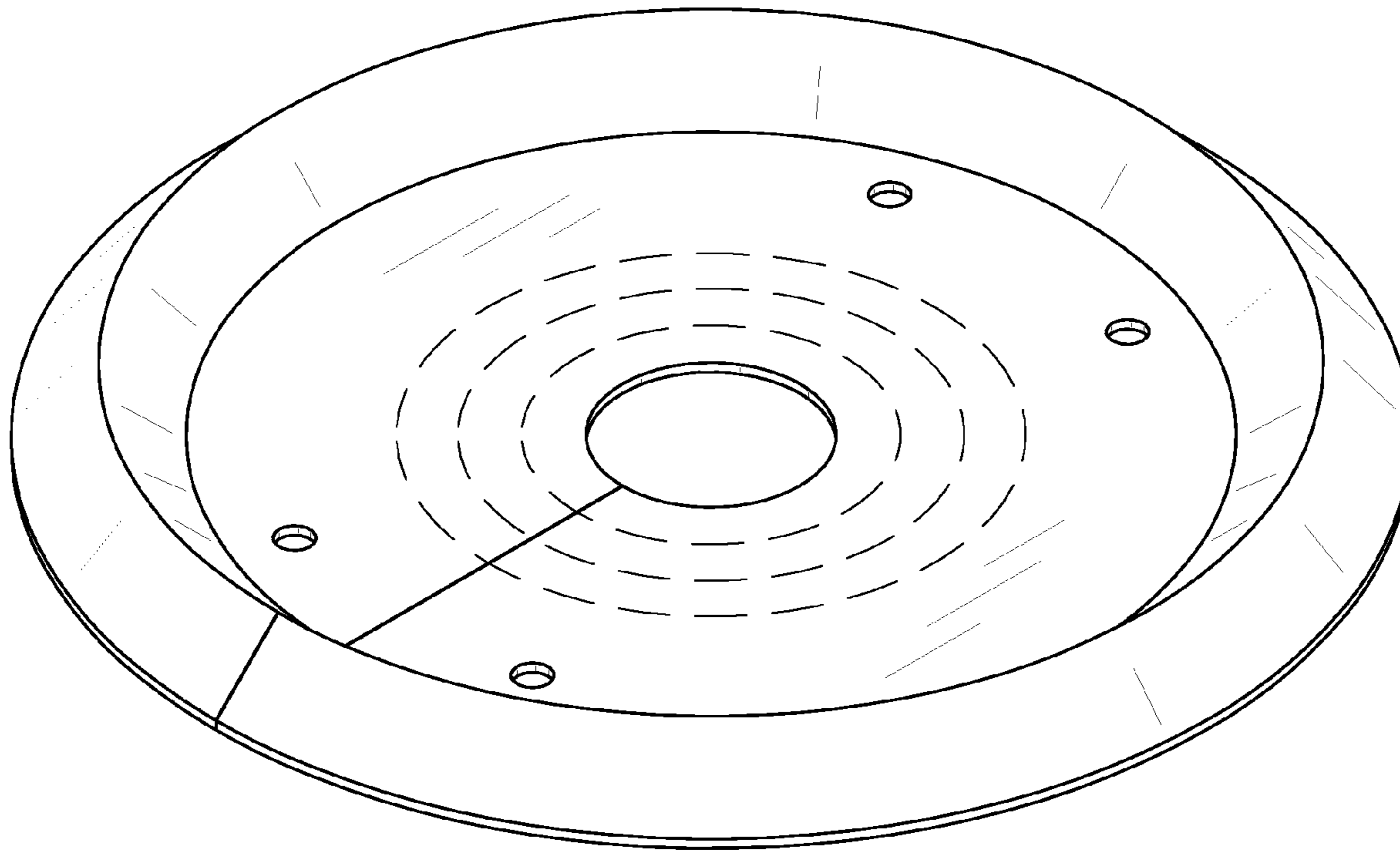
D424,386 S \* 5/2000 Lundeen et al. .... D8/1

D428,781 S \* 8/2000 Tanner ..... D8/1

6,349,500 B1 2/2002 Popham

D483,629 S \* 12/2003 Markfelder ..... D8/1

**1 Claim, 4 Drawing Sheets**



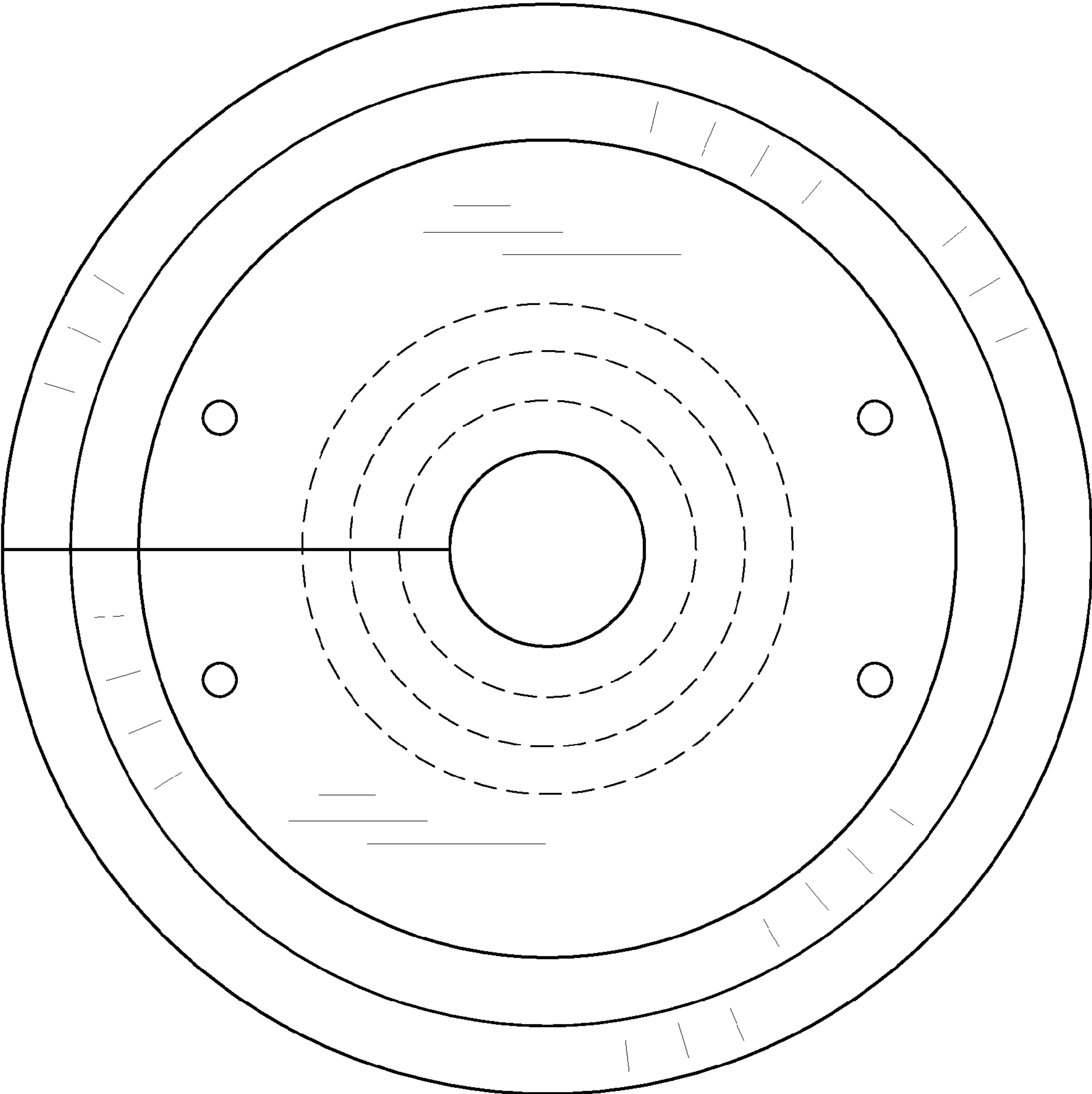


FIG. 1

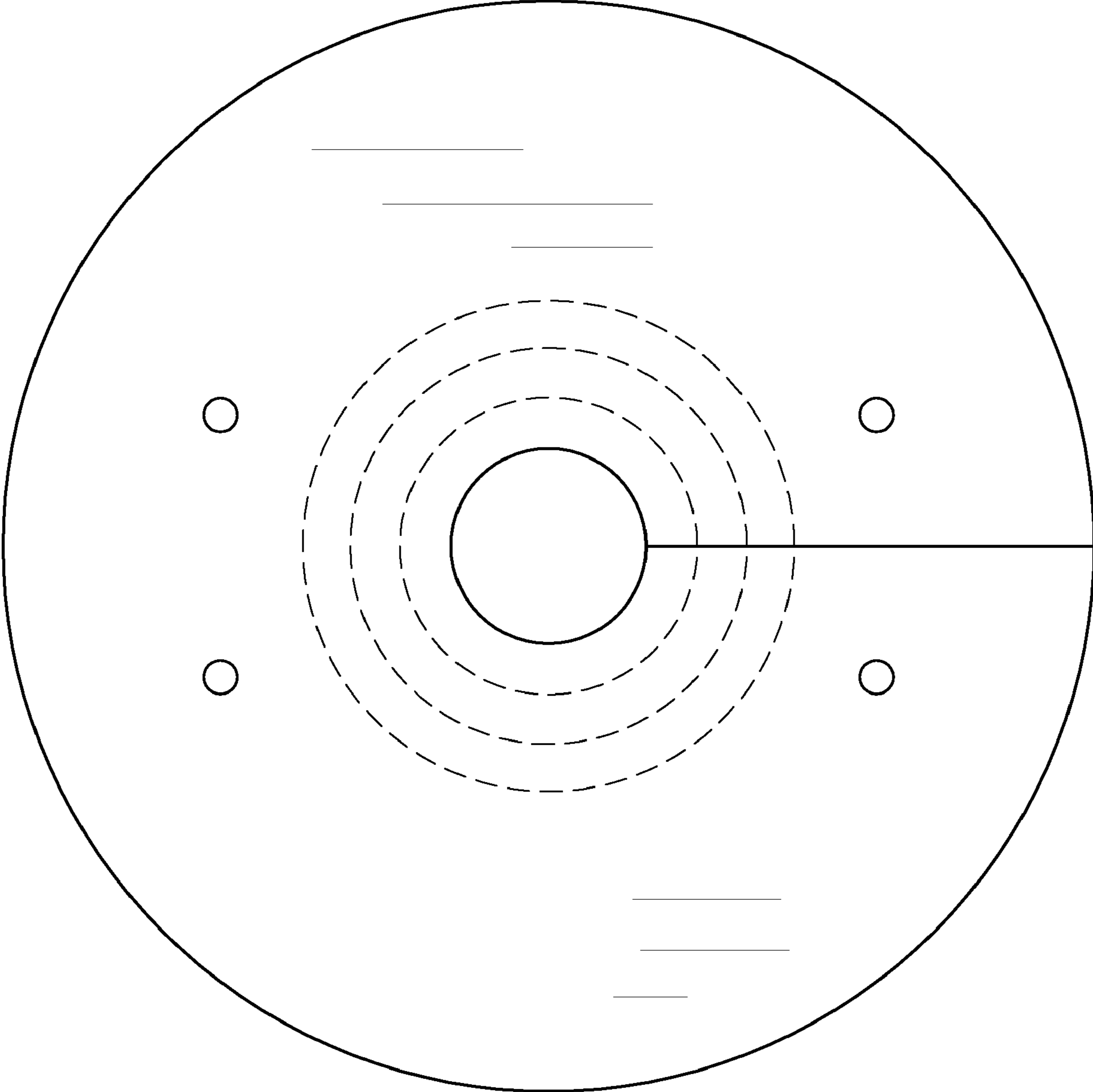


FIG. 2

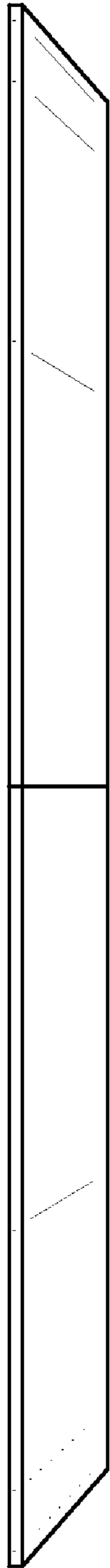


FIG. 3

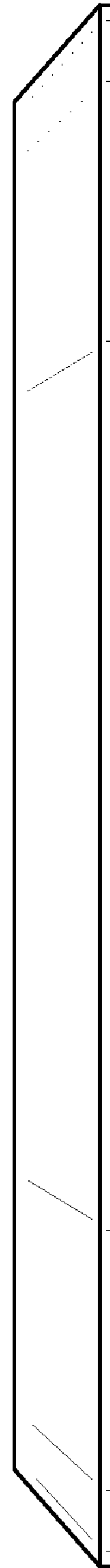


FIG. 4

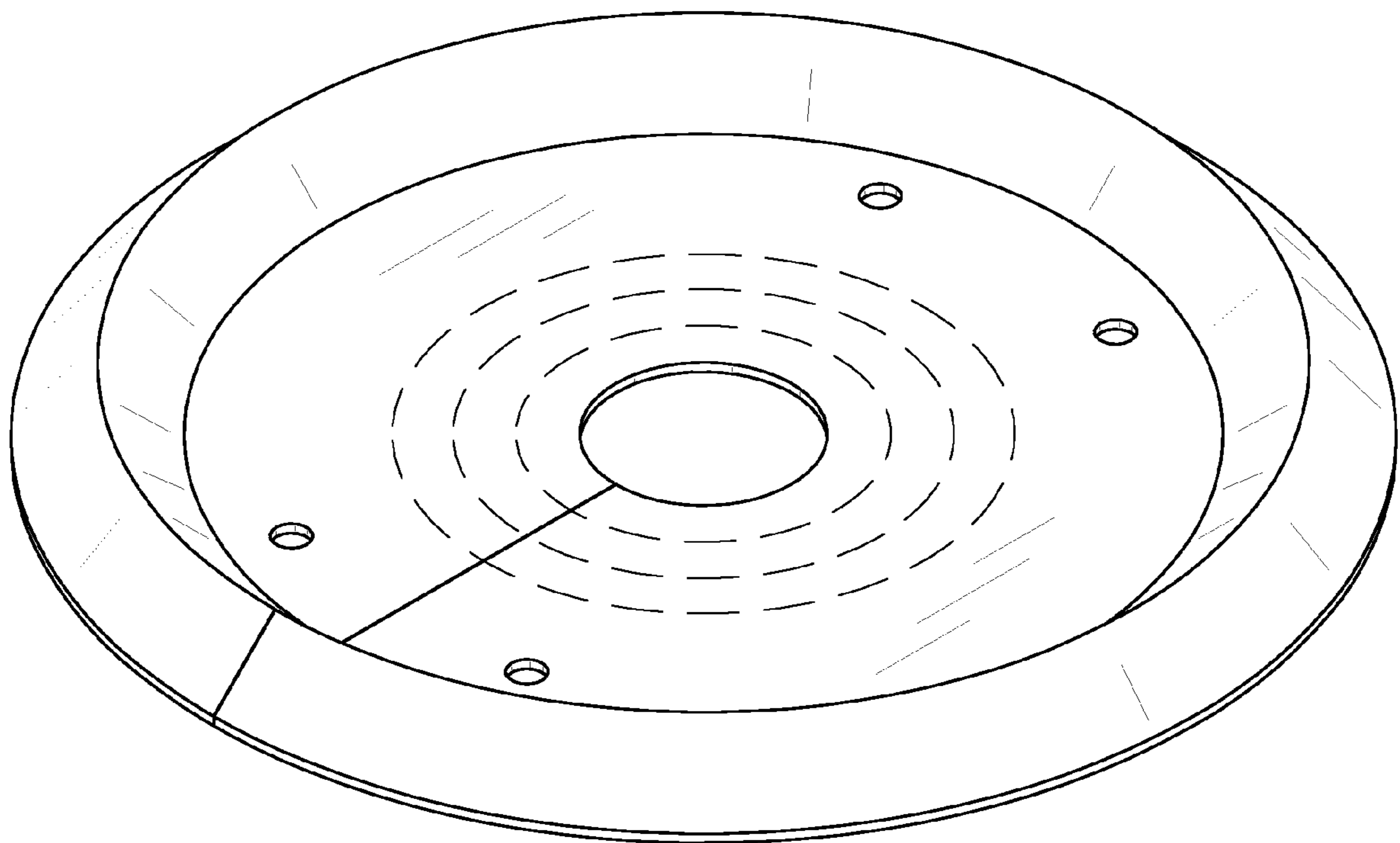


FIG. 5