



US00D608161S

(12) **United States Design Patent**
Olivari

(10) **Patent No.:** **US D608,161 S**

(45) **Date of Patent:** **** *Jan. 19, 2010**

(54) **CONTAINER FOR ICING**

(75) Inventor: **Christian Olivari**, Orlando, FL (US)

(73) Assignee: **Dart Industries Inc.**, Orlando, FL (US)

(**) Term: **14 Years**

(21) Appl. No.: **29/313,650**

(22) Filed: **Jan. 29, 2009**

(51) **LOC (9) Cl.** **07-04**

(52) **U.S. Cl.** **D7/669; D9/683**

(58) **Field of Classification Search** D9/682,
D9/683, 692, 502, 519, 520, 548, 556, 557,
D9/558, 569, 570, 761; D7/589, 590, 692,
D7/368, 665-669, 688; 220/666, 669-675;
222/92-96, 105-107, 202, 203, 212, 213,
222/215

See application file for complete search history.

(56) **References Cited**

U.S. PATENT DOCUMENTS

2,129,119	A *	9/1938	Davis	222/105
D194,419	S *	1/1963	Whitton, Jr.	D24/115
3,143,429	A *	8/1964	Swanson et al.	426/117
3,155,281	A *	11/1964	Tracey	222/107
3,270,905	A *	9/1966	Kroekel	220/581
D206,463	S *	12/1966	Federighi	D9/502
3,337,039	A *	8/1967	Knittel et al.	206/221
D222,850	S *	1/1972	Zeop	D9/545

3,731,851	A *	5/1973	Rauh	222/213
3,873,003	A *	3/1975	Seiferth et al.	222/95
4,044,836	A *	8/1977	Martin et al.	169/30
4,955,493	A *	9/1990	Touzani	215/372
5,169,024	A *	12/1992	Rinkewich	220/586
D391,455	S *	3/1998	Wallays	D7/669
5,758,802	A *	6/1998	Wallays	222/212

* cited by examiner

Primary Examiner—Catherine Tuttle

(74) *Attorney, Agent, or Firm*—John A. Doninger

(57) **CLAIM**

The ornamental design for a container for icing, as shown and described.

DESCRIPTION

FIG. 1 is a top, side and front perspective view of a container for icing showing my new design;

FIG. 2 is a front elevation view thereof, the rear elevation being identical thereto;

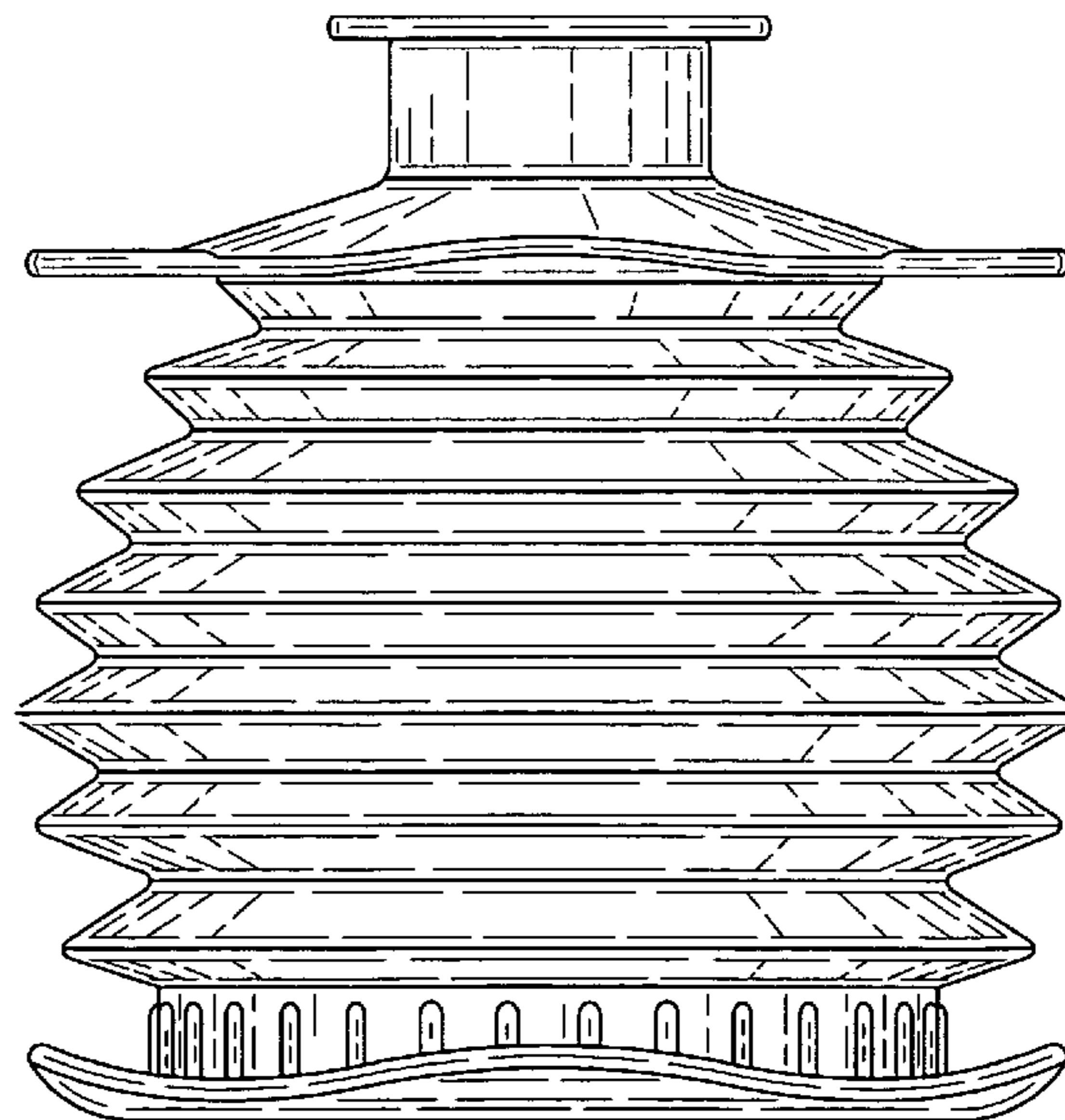
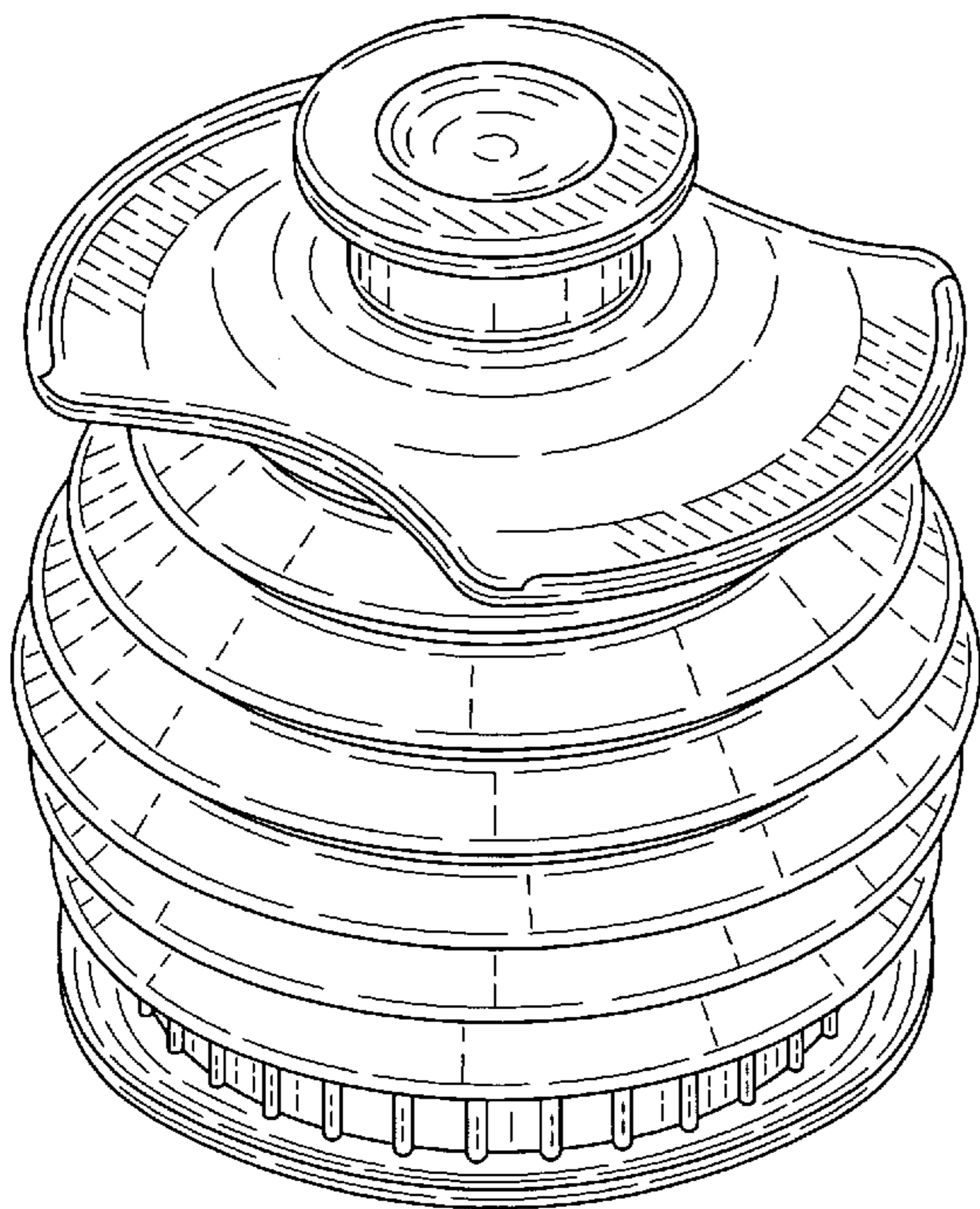
FIG. 3 is a right side elevation view thereof, the left side elevation being identical thereto;

FIG. 4 is a top plan view thereof;

FIG. 5 is a bottom plan view thereof; and,

FIG. 6 is an exploded view of the container for icing shown in FIG. 1.

1 Claim, 4 Drawing Sheets



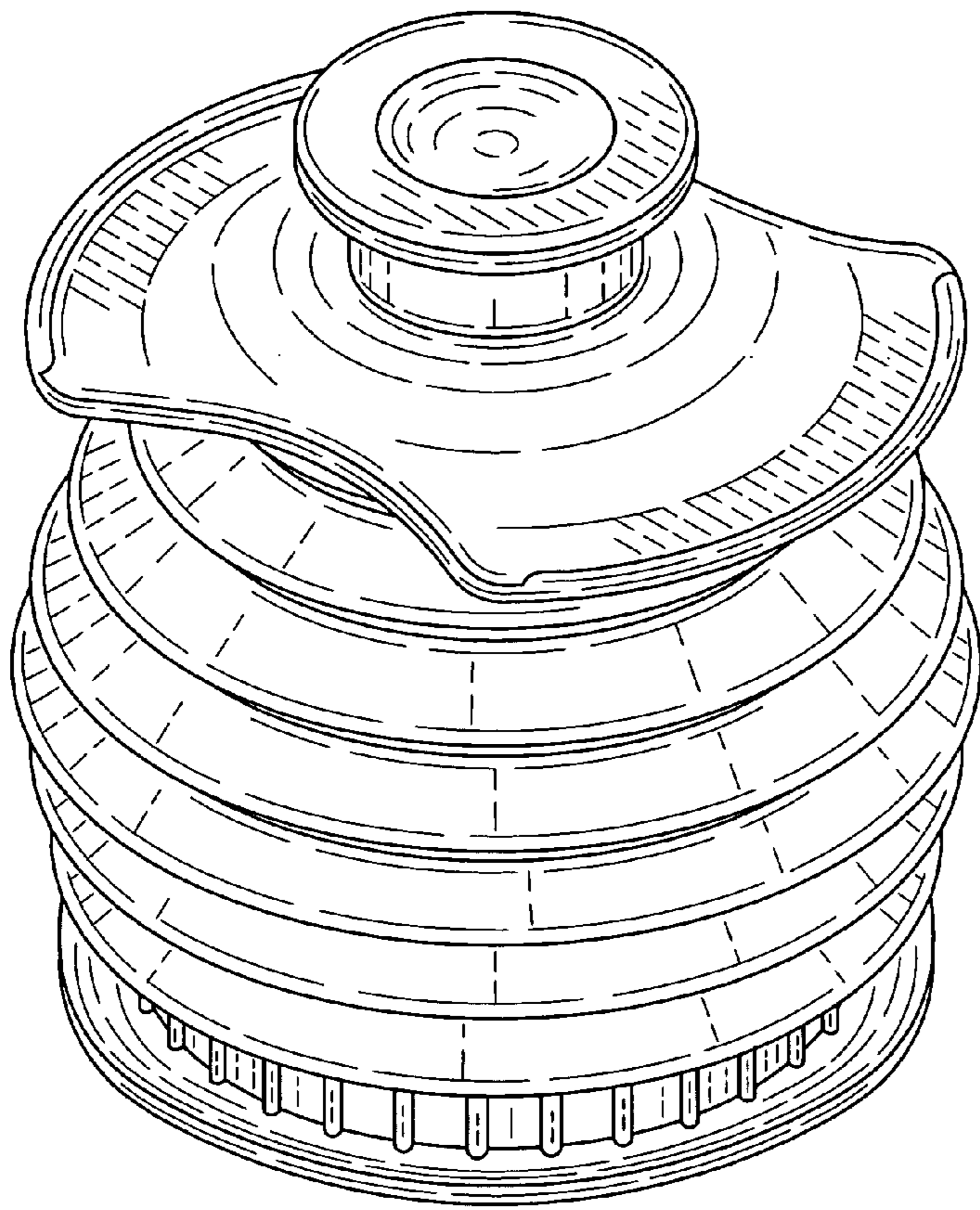


FIG. 1

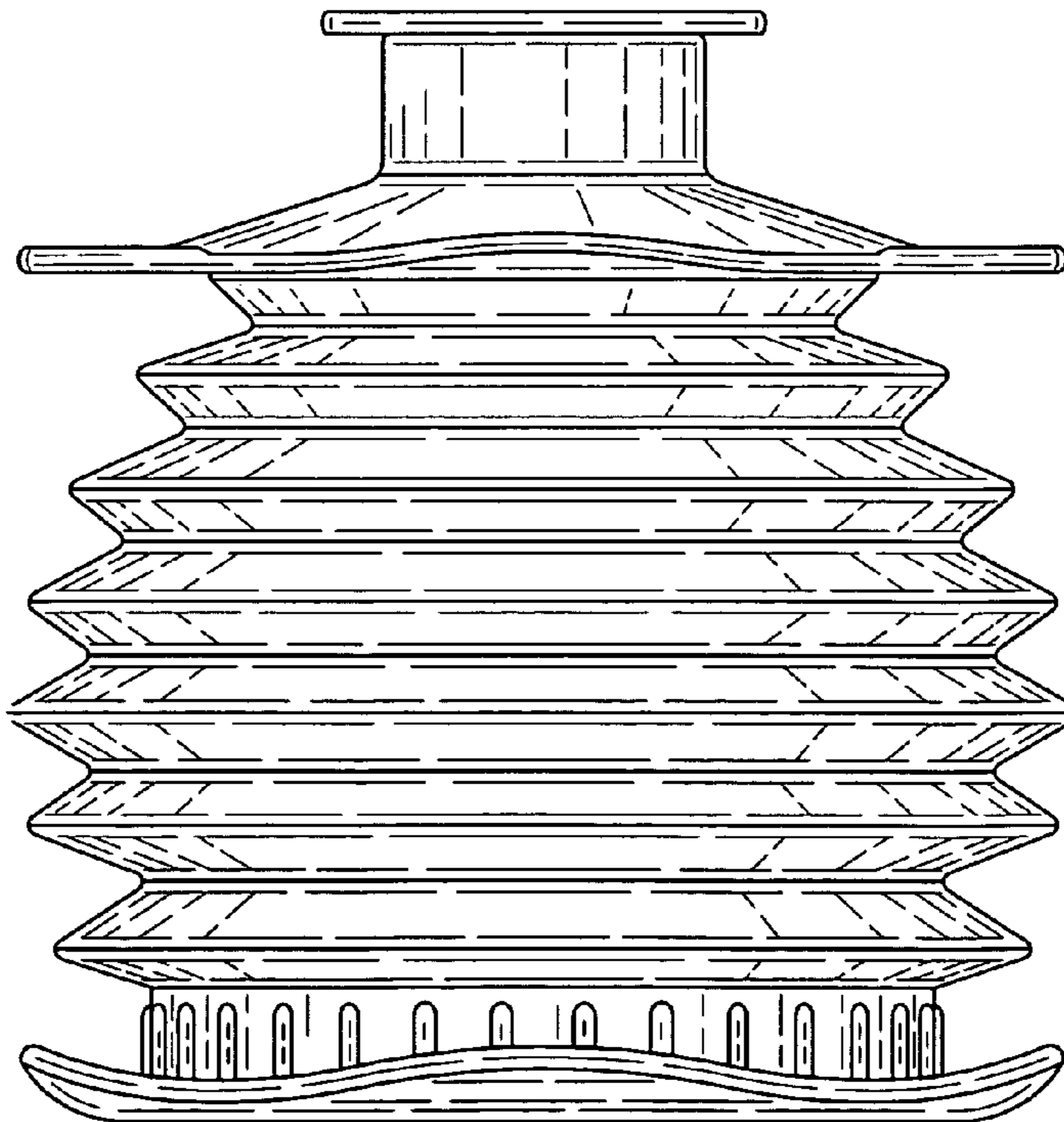


FIG. 2

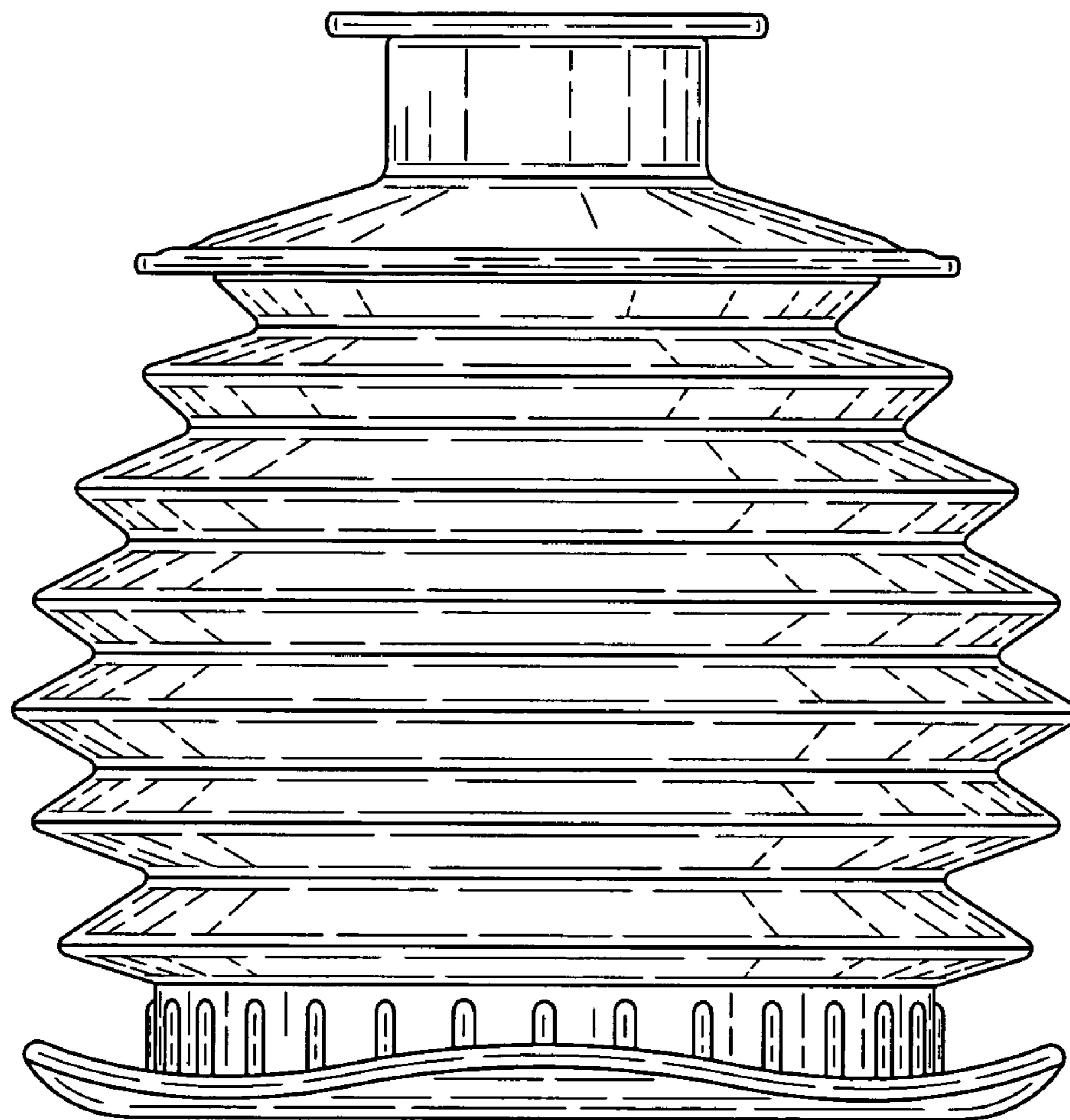


FIG. 3

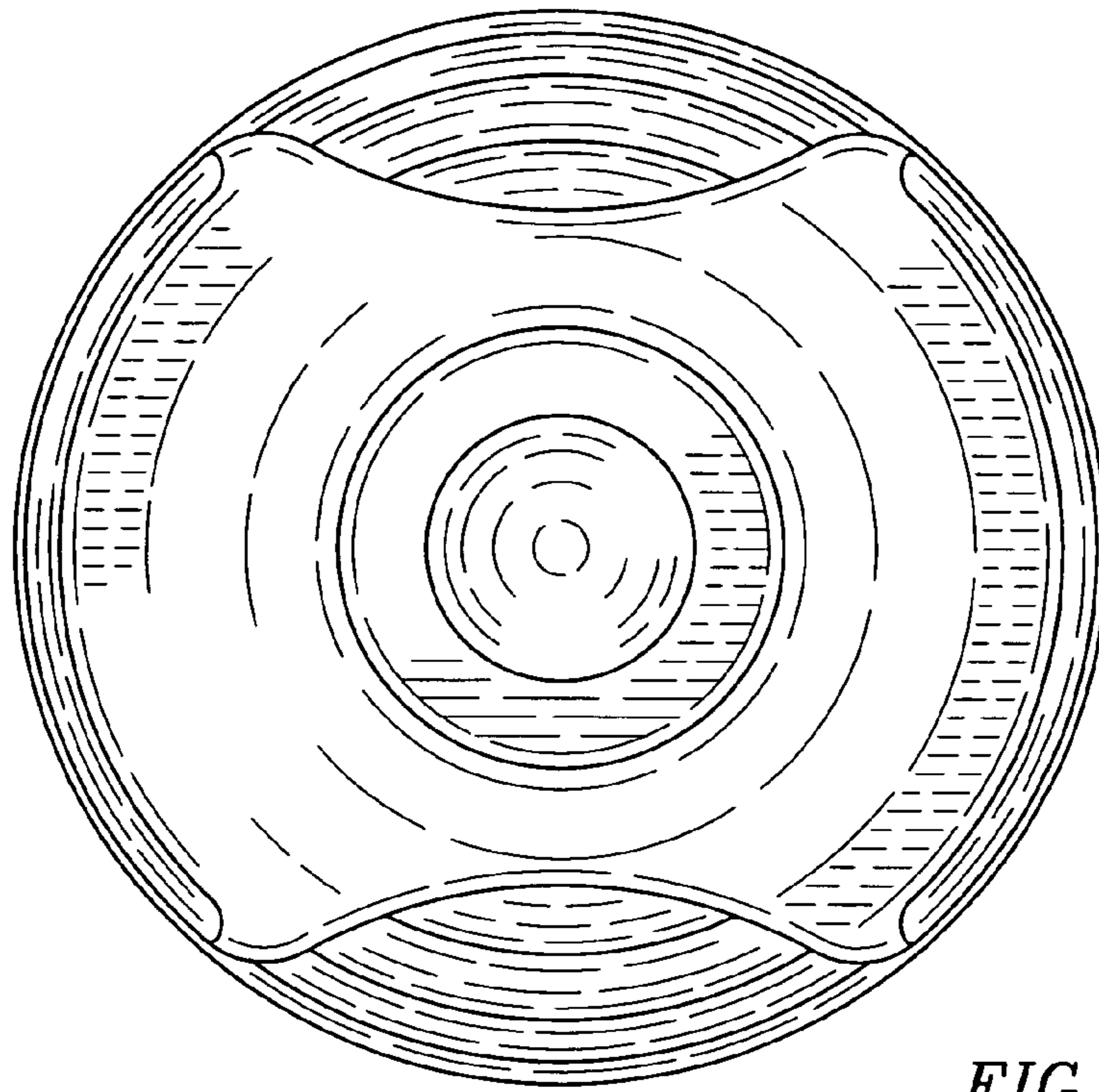


FIG. 4

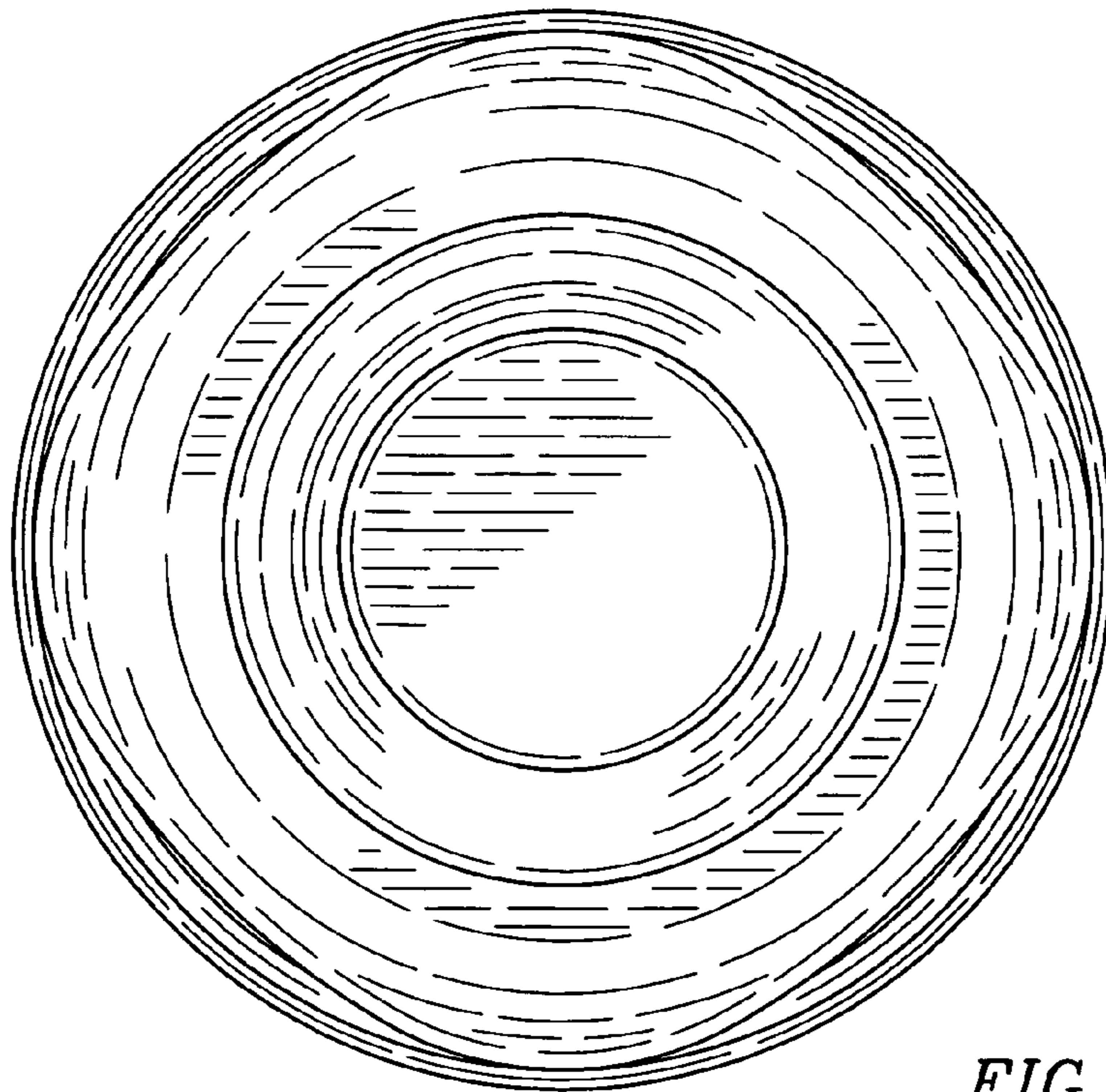


FIG. 6

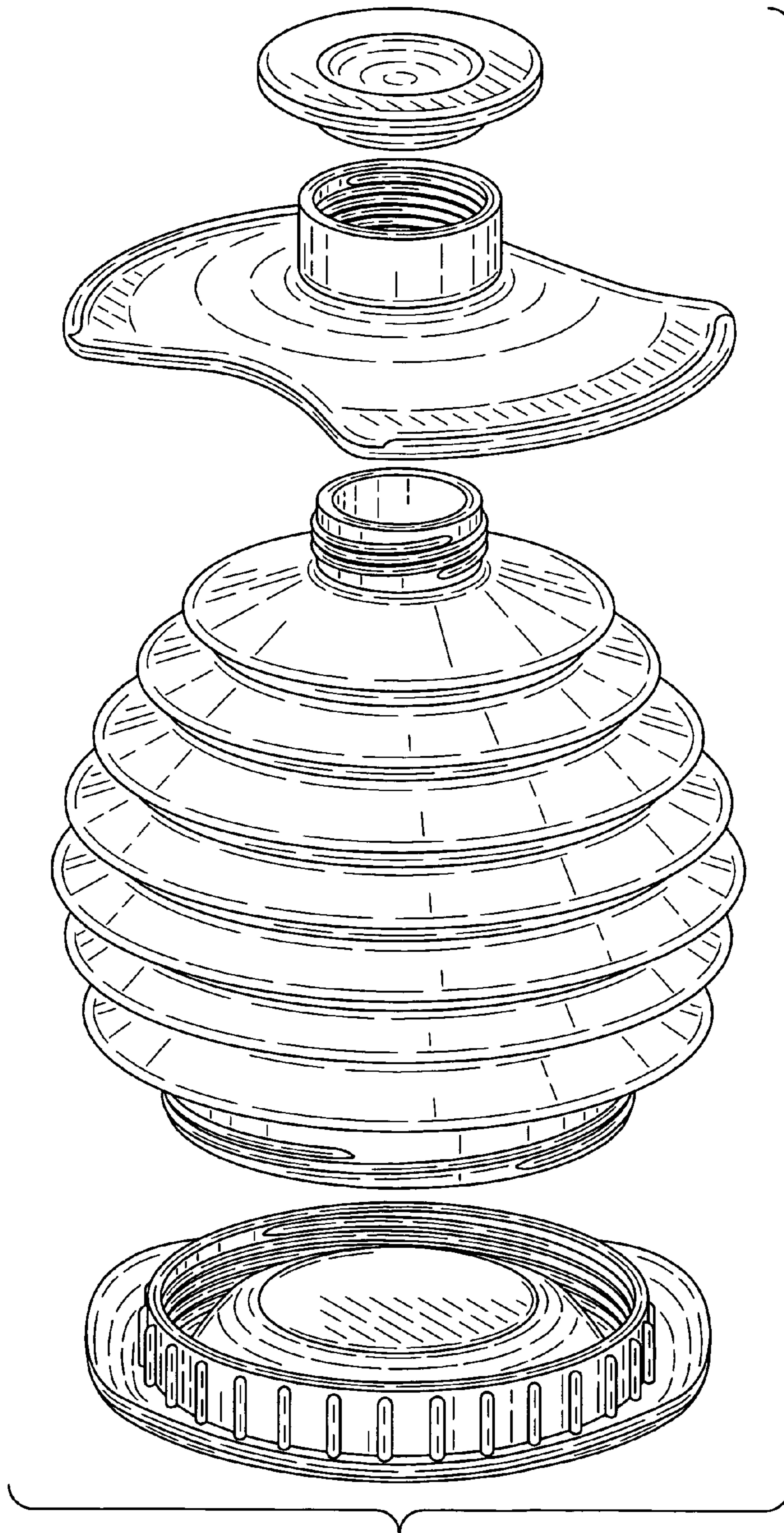


FIG. 5