



US00D608159S

(12) **United States Design Patent**
Whitlock et al.

(10) **Patent No.:** **US D608,159 S**

(45) **Date of Patent:** **** Jan. 19, 2010**

(54) **COOLER**

(76) Inventors: **Paul Whitlock**, Picnic At Ascot, 3237
131st St., Hawthorne, CA (US) 90250;
Valerie Whitlock, Picnic At Ascot, 3237
131st St., Hawthorne, CA (US) 90250

(**) Term: **14 Years**

(21) Appl. No.: **29/314,729**

(22) Filed: **Apr. 23, 2009**

(51) **LOC (9) Cl.** **07-01**

(52) **U.S. Cl.** **D7/607; D7/709**

(58) **Field of Classification Search** D7/603–608,
D7/709, 710; 150/100, 103–105, 107, 110,
150/114, 118, 119; D3/201, 202, 229, 232,
D3/233, 276, 272, 273, 283–287, 289; 383/110,
383/113, 93, 109; 190/100, 103–106, 109,
190/115; 220/739, 592.01, 915.1, 915.2;
62/457.1–457.9, 371, 372

See application file for complete search history.

(56) **References Cited**

U.S. PATENT DOCUMENTS

D194,637	S	*	2/1963	Szantay	D7/605
D340,621	S	*	10/1993	Melk	D7/607
D340,840	S	*	11/1993	Melk	D7/607
5,350,081	A	*	9/1994	Graham	220/737
5,505,307	A	*	4/1996	Shink	206/541
D382,771	S	*	8/1997	Mogil	D7/607
D382,772	S	*	8/1997	Mogil	D7/607
D387,249	S	*	12/1997	Mogil	D7/607

D408,225	S	*	4/1999	Hodosh	D7/605
5,924,303	A	*	7/1999	Hodosh	62/457.4
6,318,570	B1	*	11/2001	Mueller et al.	211/181.1
D464,235	S	*	10/2002	Jeong	D7/607
6,481,239	B2	*	11/2002	Hodosh et al.	62/457.4
6,851,276	B2	*	2/2005	Perrins	62/457.5
D528,368	S	*	9/2006	Maldonado	D7/605
D530,137	S	*	10/2006	Wilgus et al.	D7/300

* cited by examiner

Primary Examiner—Terry A Wallace

(74) *Attorney, Agent, or Firm*—D. Whitlow Bivens

(57) **CLAIM**

The ornamental design for a cooler, as shown and described.

DESCRIPTION

FIG. 1 is a front view of our new design in a first configuration;

FIG. 2 is a top view thereof;

FIG. 3 is a side view thereof;

FIG. 4 is a rear view thereof;

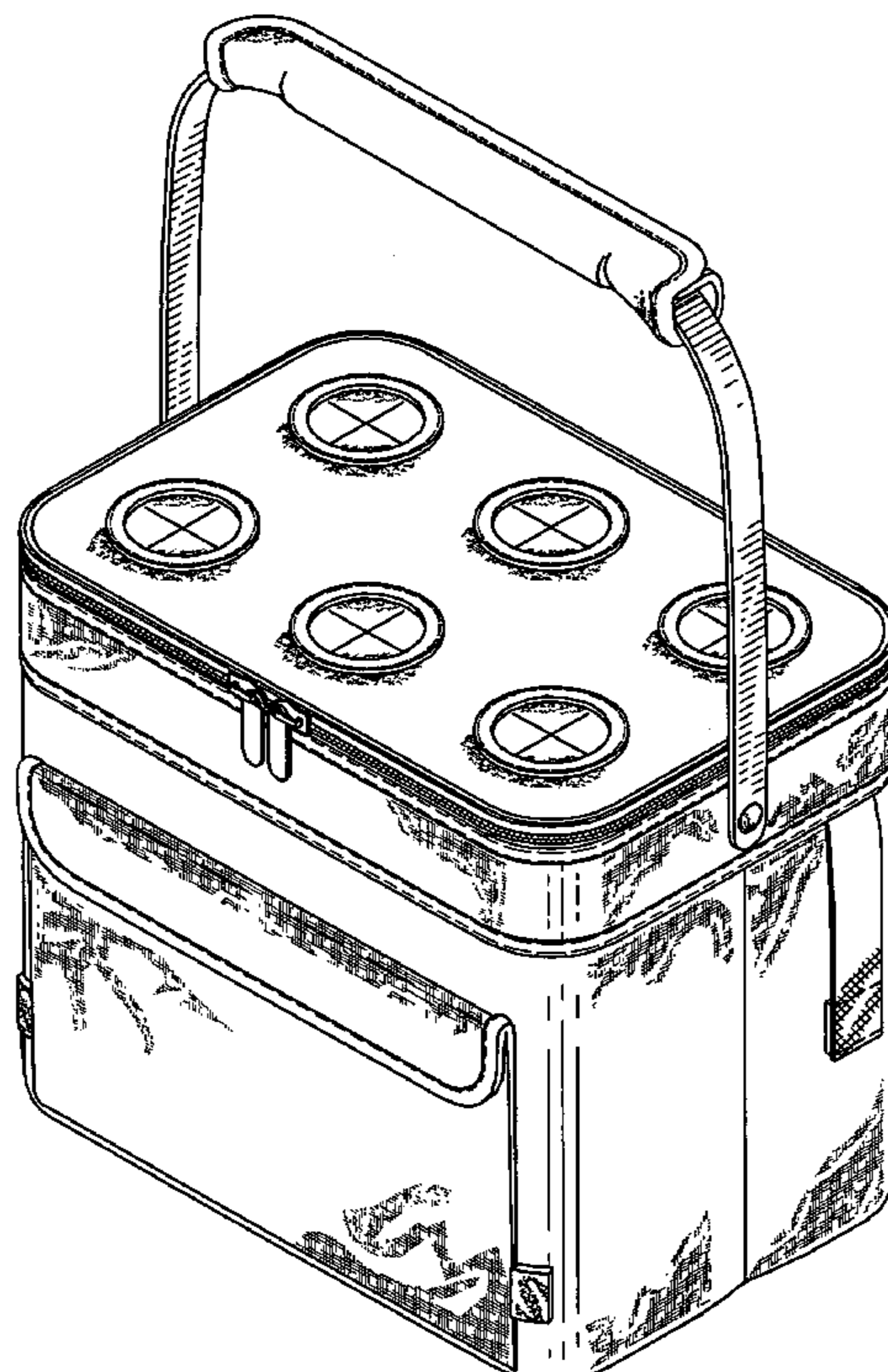
FIG. 5 is a perspective view thereof;

FIG. 6 is a perspective view of a first side of our new design in a second configuration; and,

FIG. 7 is a perspective view of a second side of our new design in the second configuration.

The broken lines showing the handle are for illustrative purposes only and form no part of the claimed design. The remaining broken lines represent stitching.

1 Claim, 6 Drawing Sheets



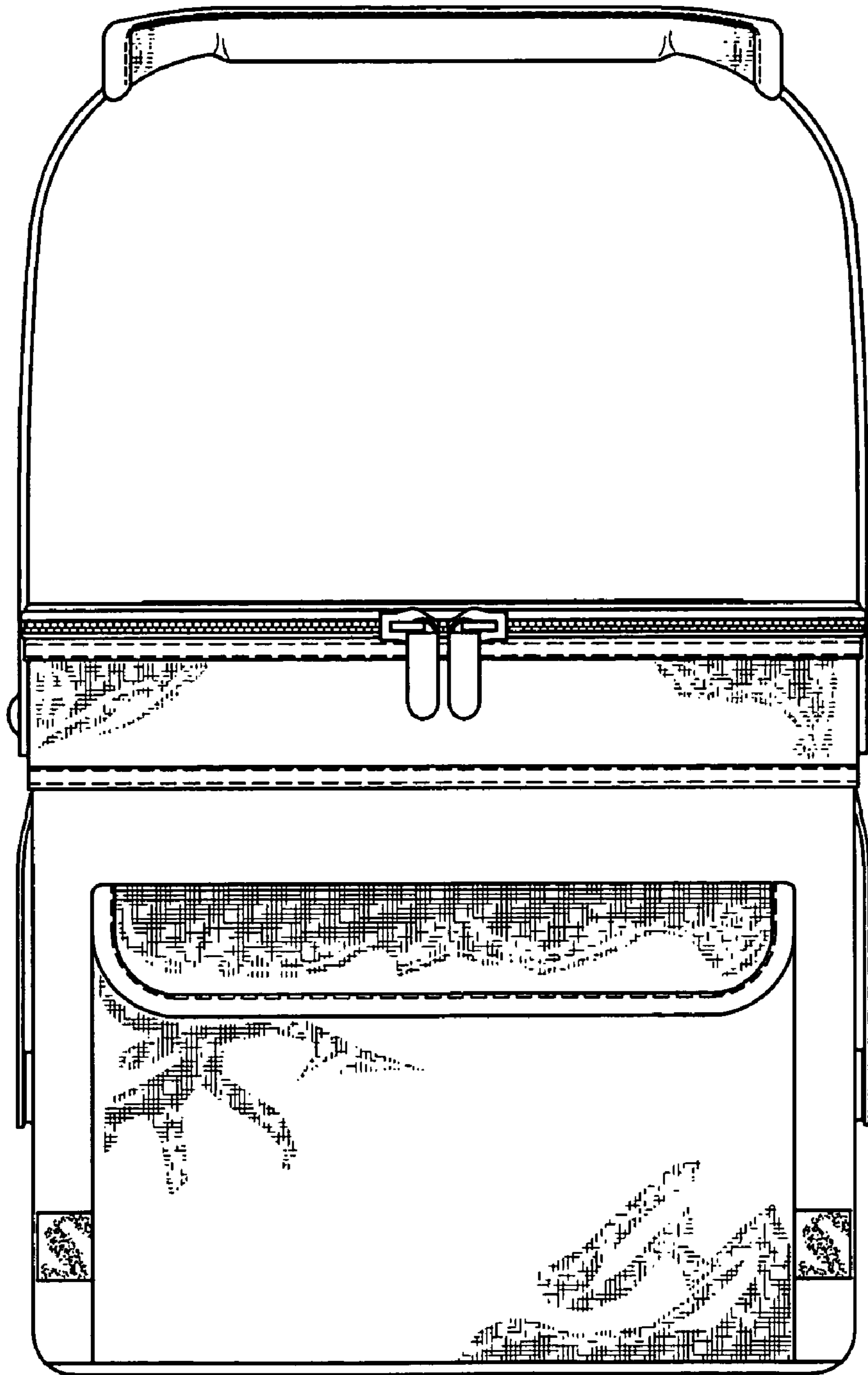


FIG. 1

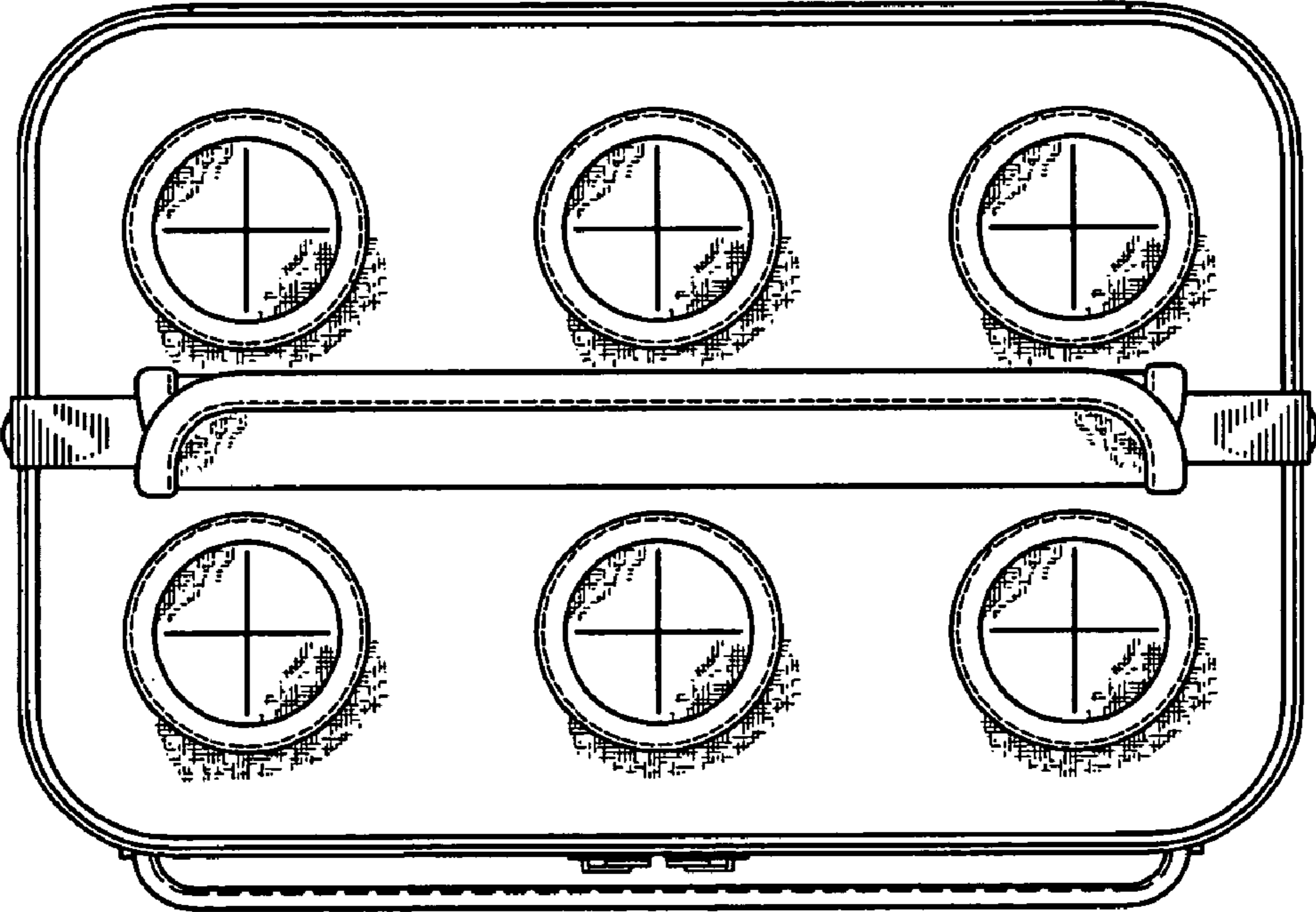


FIG. 2

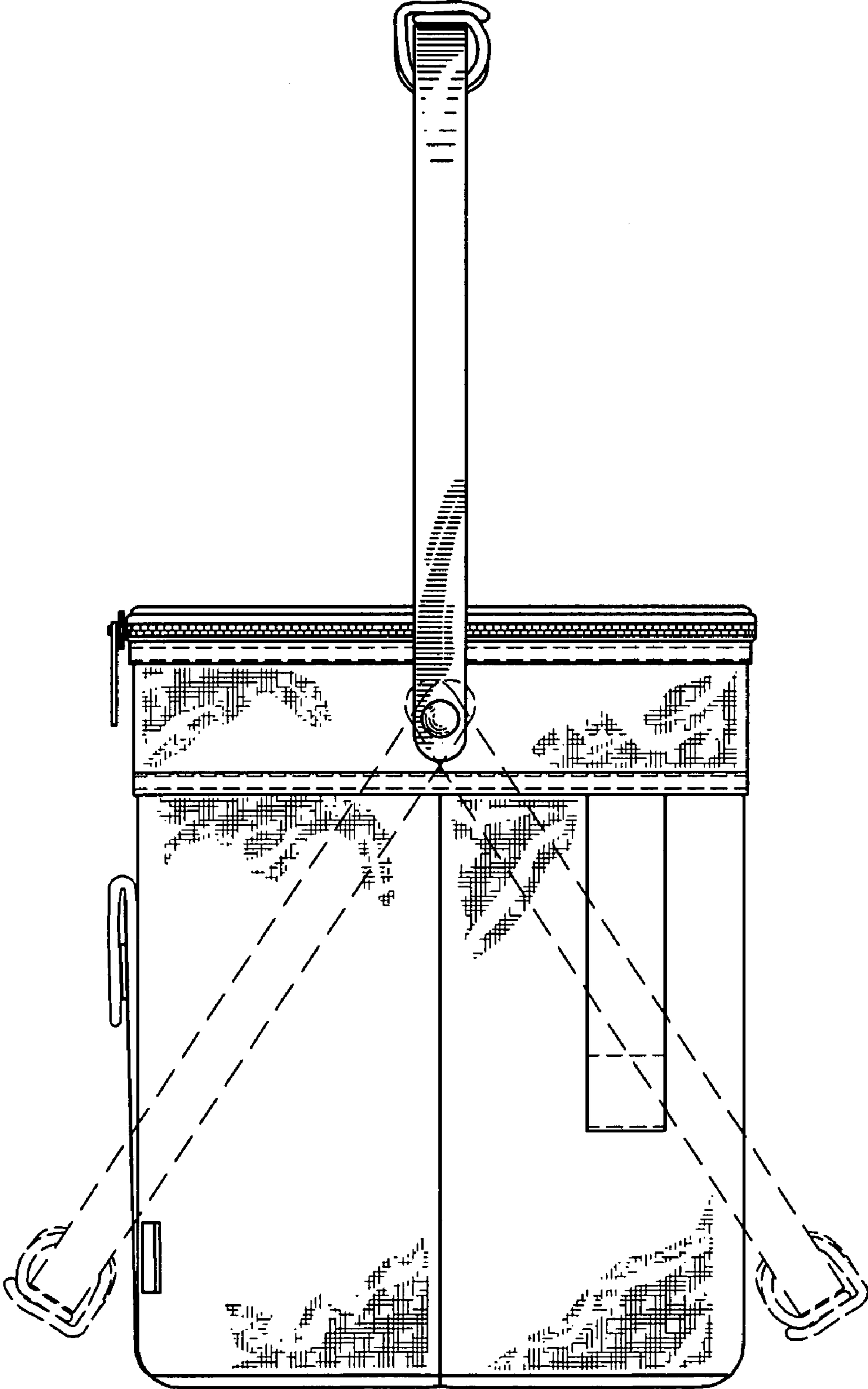


FIG. 3

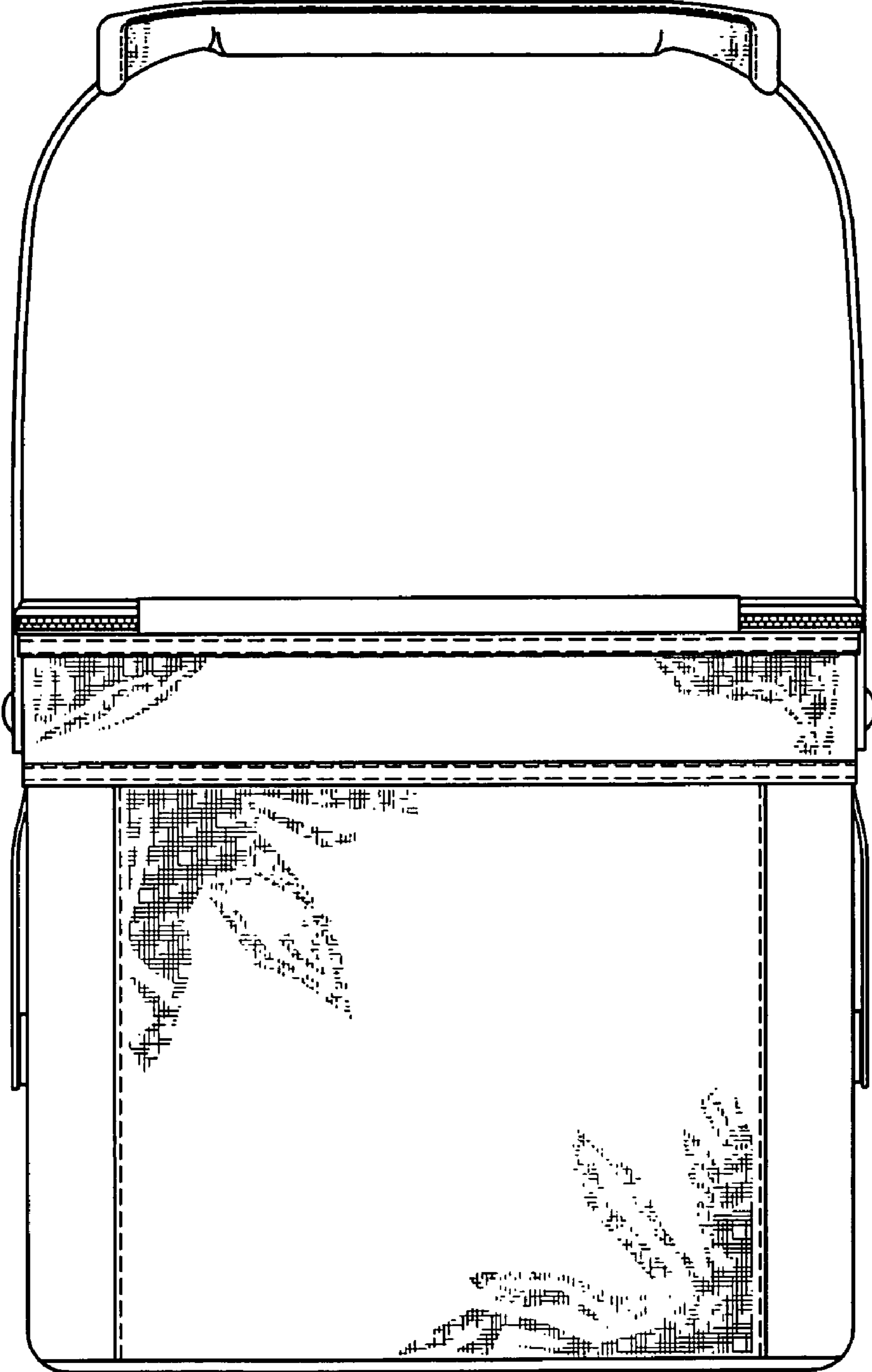


FIG. 4

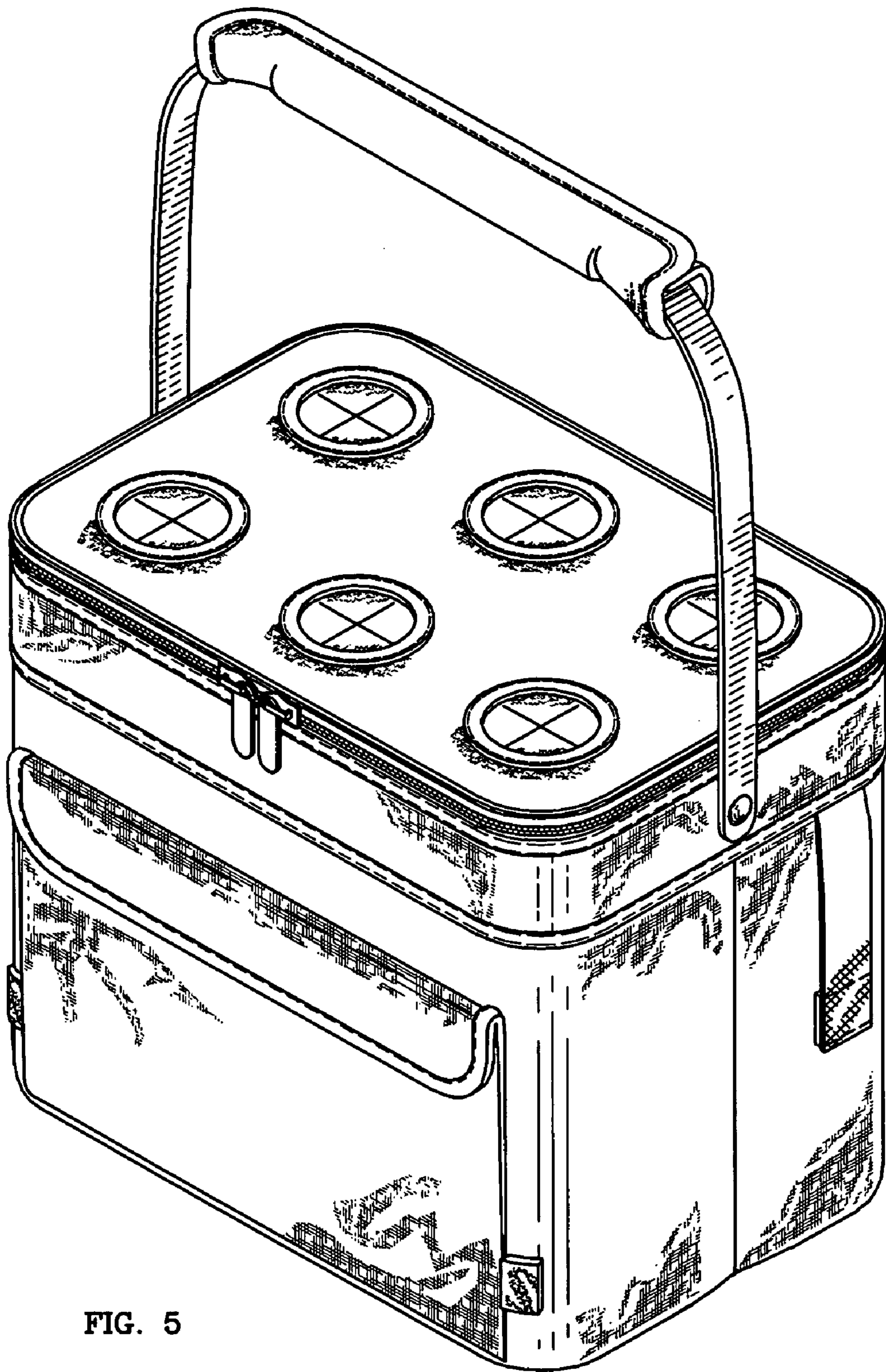


FIG. 5

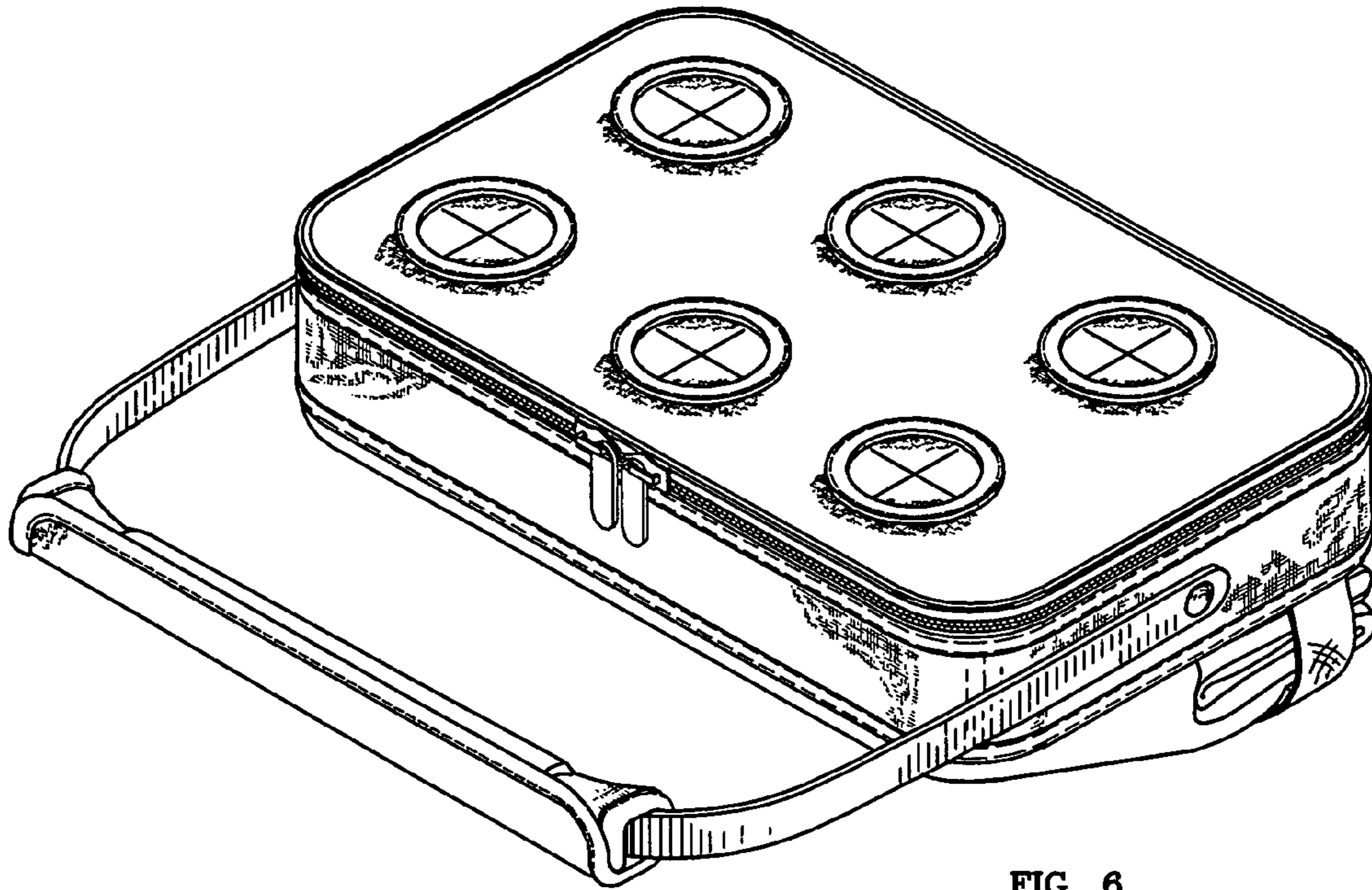


FIG. 6

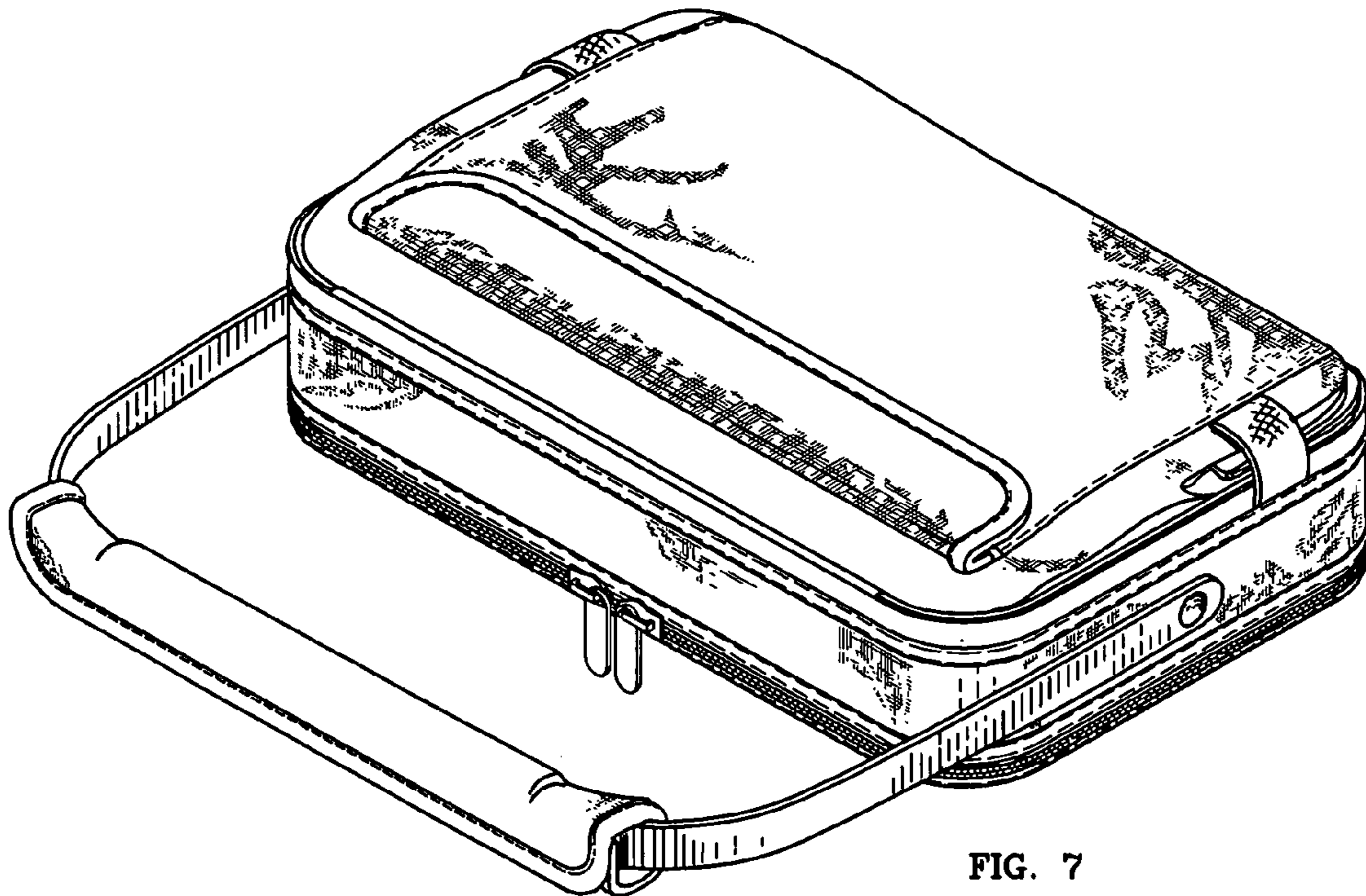


FIG. 7