



US00D608158S

(12) **United States Design Patent**  
**Beal**

(10) **Patent No.:** **US D608,158 S**

(45) **Date of Patent:** **\*\* \*Jan. 19, 2010**

(54) **MOTORIZED INSULATED RECEPTACLE**

(76) **Inventor:** **Kevin Beal**, 5400 Mitchelldale B-16,  
Houston, TX (US) 77092-7231

(\*) **Notice:** This patent is subject to a terminal disclaimer.

(\*\*) **Term:** **14 Years**

(21) **Appl. No.:** **29/322,532**

(22) **Filed:** **Aug. 6, 2008**

(51) **LOC (9) Cl.** ..... **07-01**

(52) **U.S. Cl.** ..... **D7/605**

(58) **Field of Classification Search** ..... D7/605-608,  
D7/709, 710; 62/457.1-457.7, 239, 371,  
62/372, 3.62, 3.64; 220/592.16, 592.17,  
220/592.23-592.27, 915.1, 915.2; D12/423,  
D12/424; D15/81; 280/47.1, 47.26, 47.371,  
280/47.37, 30, 38, 43

See application file for complete search history.

(56) **References Cited**

**U.S. PATENT DOCUMENTS**

5,407,218	A *	4/1995	Jackson	280/30
5,465,985	A *	11/1995	Devan et al.	280/30
D368,207	S *	3/1996	Januzzi	D7/605
6,364,329	B1 *	4/2002	Holub et al.	280/47.26
D476,042	S *	6/2003	Hsieh	D21/423
D480,276	S *	10/2003	Duart et al.	D7/605
6,755,428	B2 *	6/2004	Butler	280/47.26
D516,869	S *	3/2006	Beal	D7/605
D534,771	S *	1/2007	Zorn	D7/605

\* cited by examiner

*Primary Examiner*—Terry A Wallace

(74) *Attorney, Agent, or Firm*—Edwin Tarver; Lauson & Tarver LLP

(57) **CLAIM**

The ornamental design for a motorized insulated receptacle, as shown and described.

**DESCRIPTION**

Portions of the disclosure of this patent document contain material that is subject to copyright protection. The copyright owner has no objection to the facsimile reproduction by anyone of the patent document or the patent disclosure as it appears in the Patent and Trademark Office file or records, but otherwise reserves all copyright rights whatsoever.

FIG. 1 is a perspective view of a motorized insulated receptacle showing the new design.

FIG. 2 is a left side view of a motorized insulated receptacle showing the new design.

FIG. 3 is a right side view of a motorized insulated receptacle showing the new design.

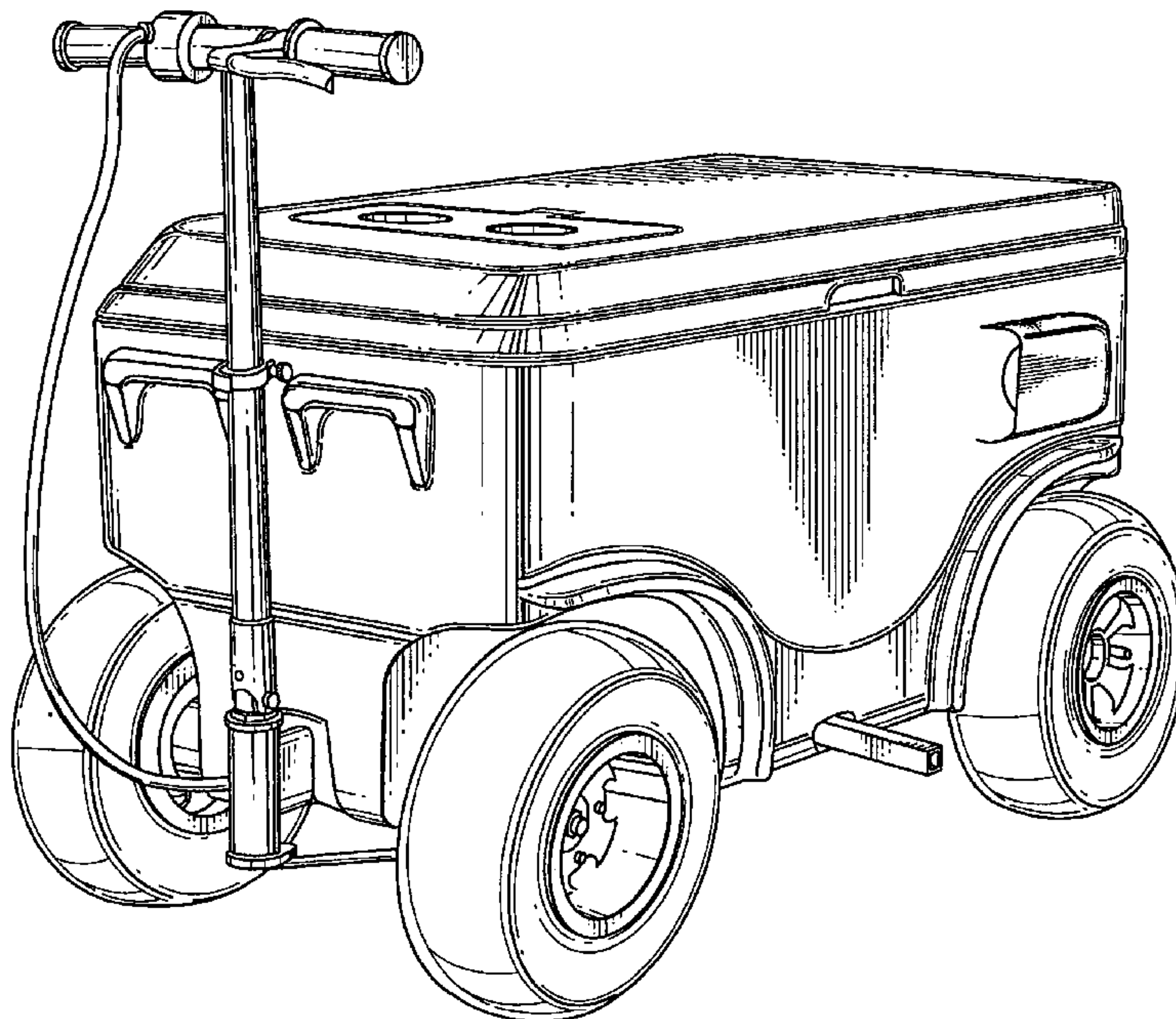
FIG. 4 is a top view of a motorized insulated receptacle showing the new design.

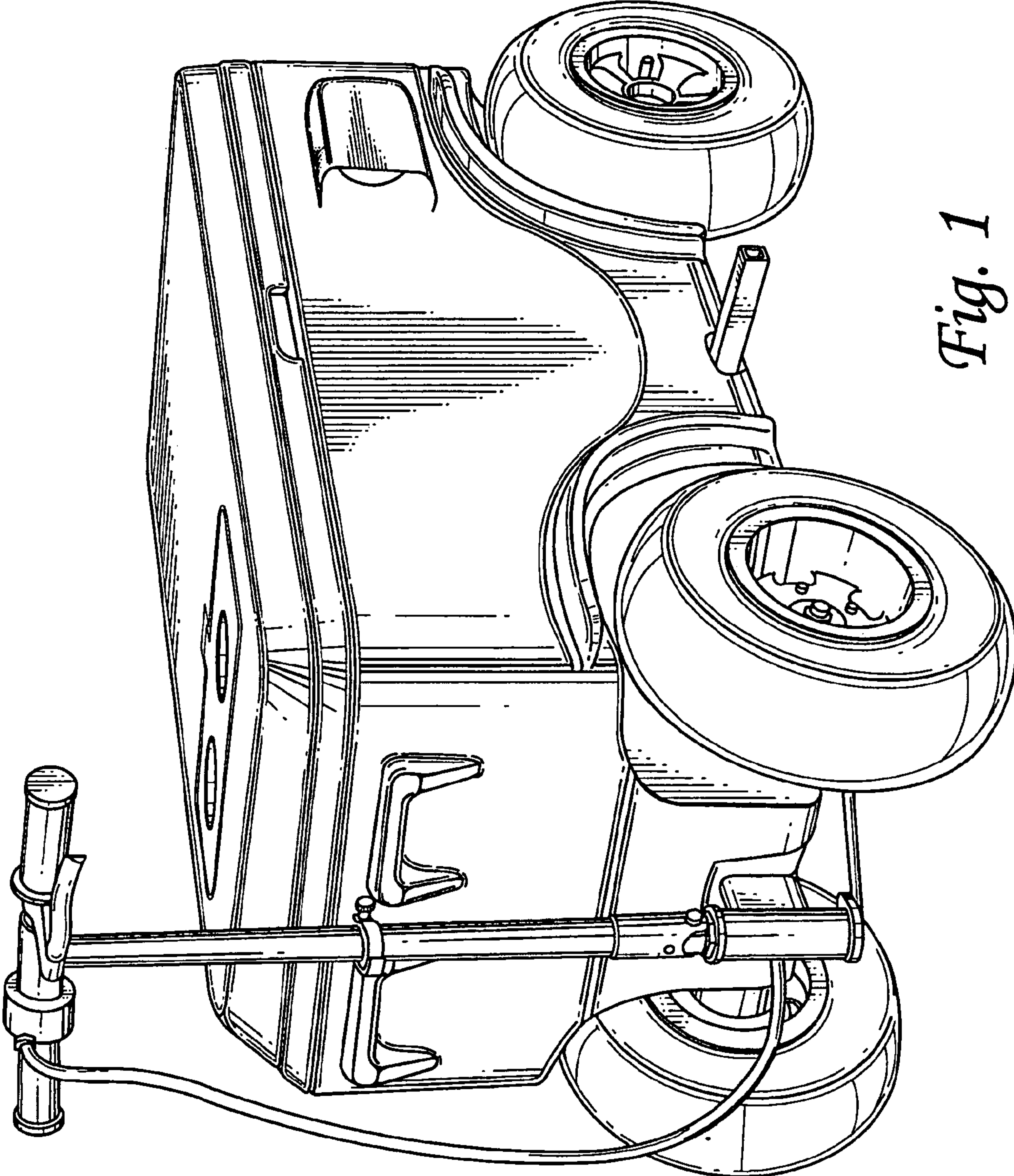
FIG. 5 is a bottom view of a motorized insulated receptacle showing the new design.

FIG. 6 is a front view of a motorized insulated receptacle showing the new design; and,

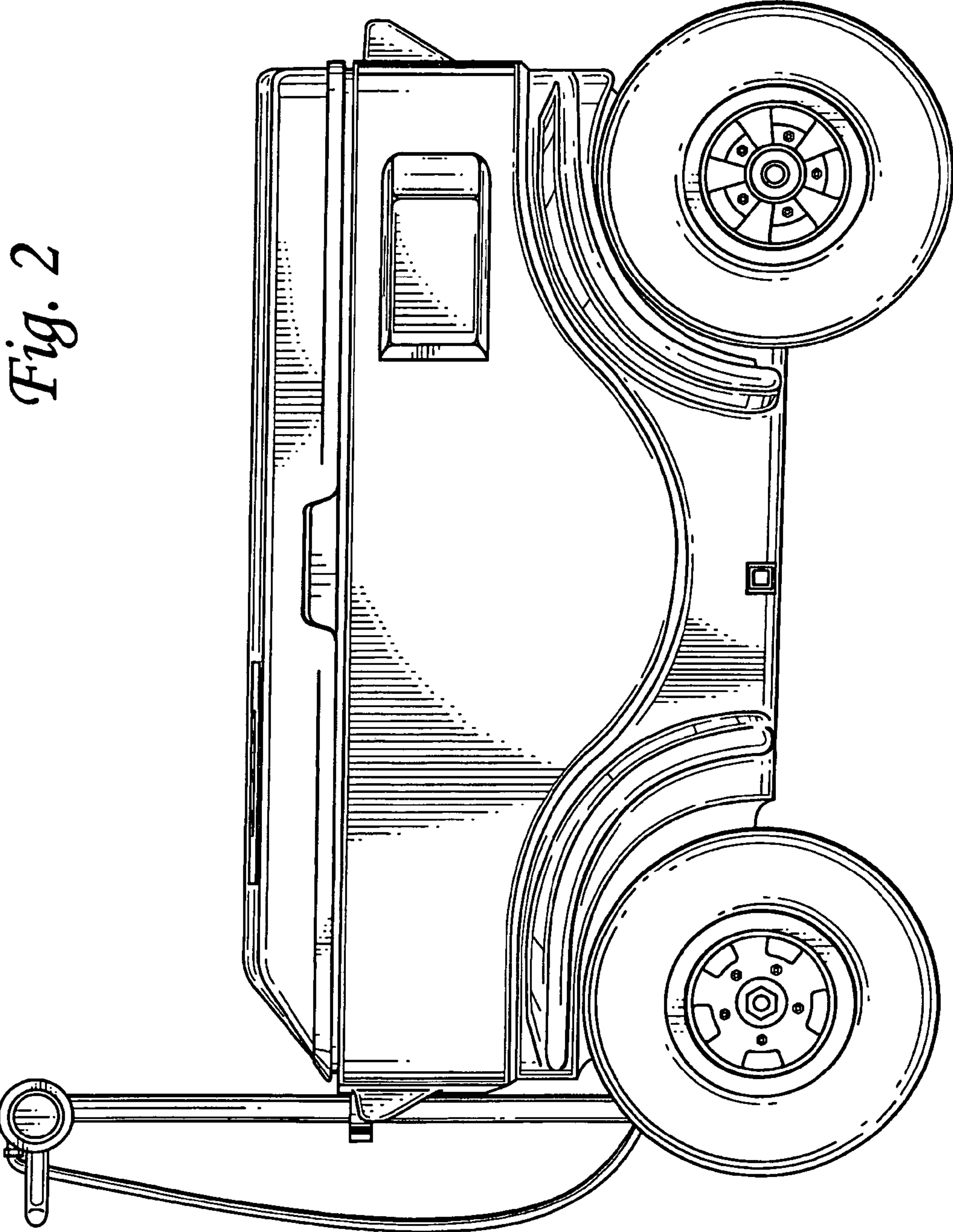
FIG. 7 is a rear view of a motorized insulated receptacle showing the new design.

**1 Claim, 7 Drawing Sheets**



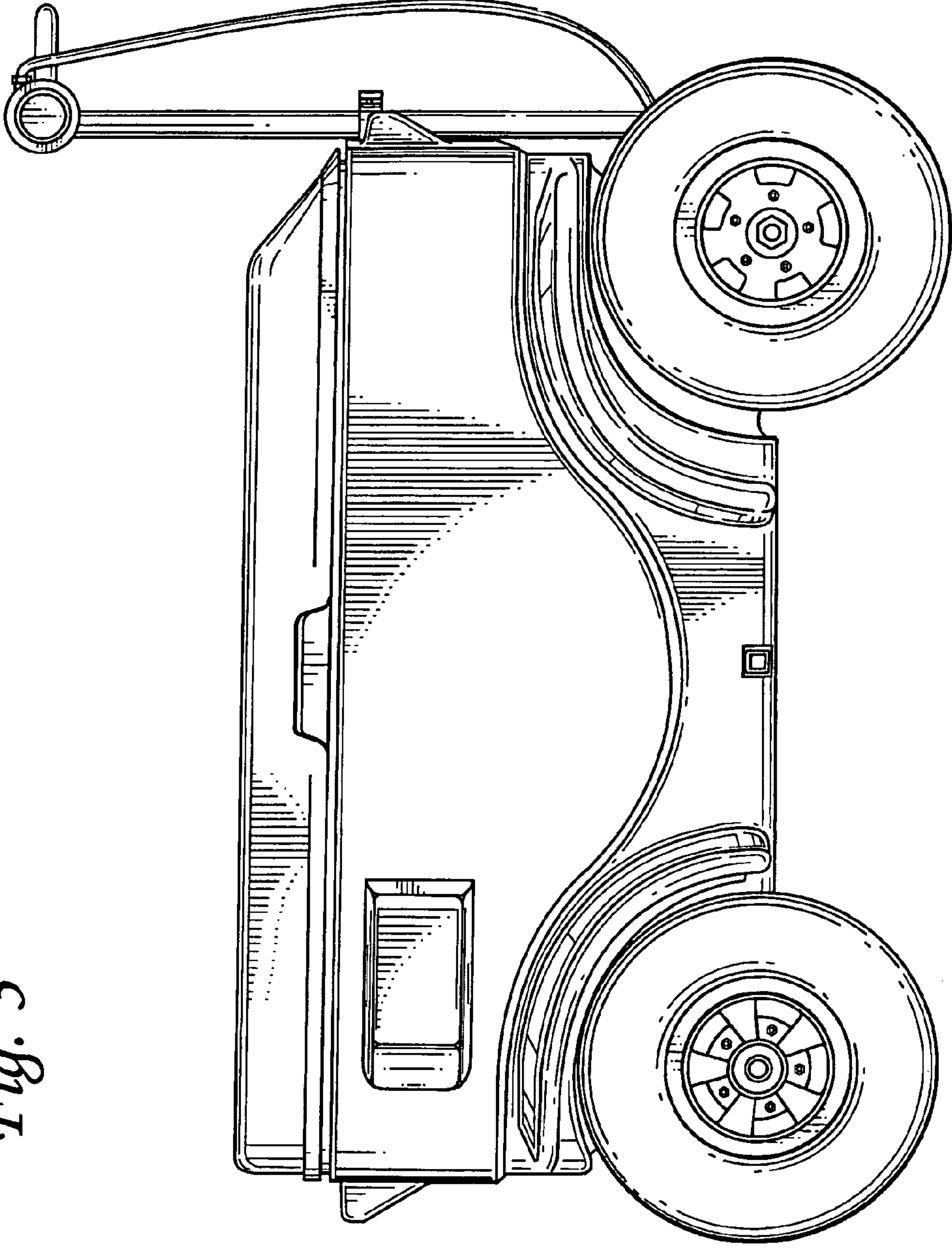


*Fig. 1*

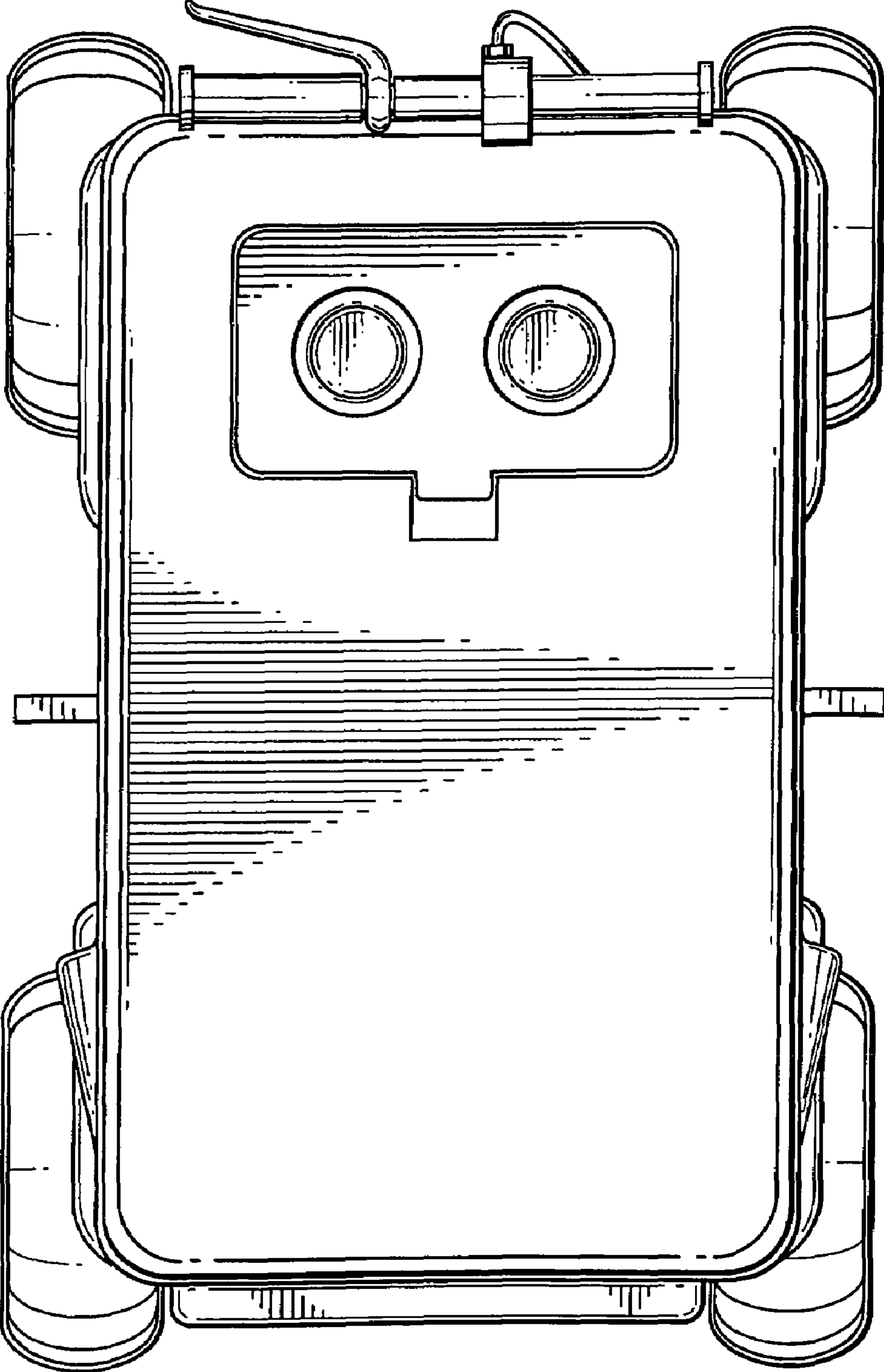


*Fig. 2*

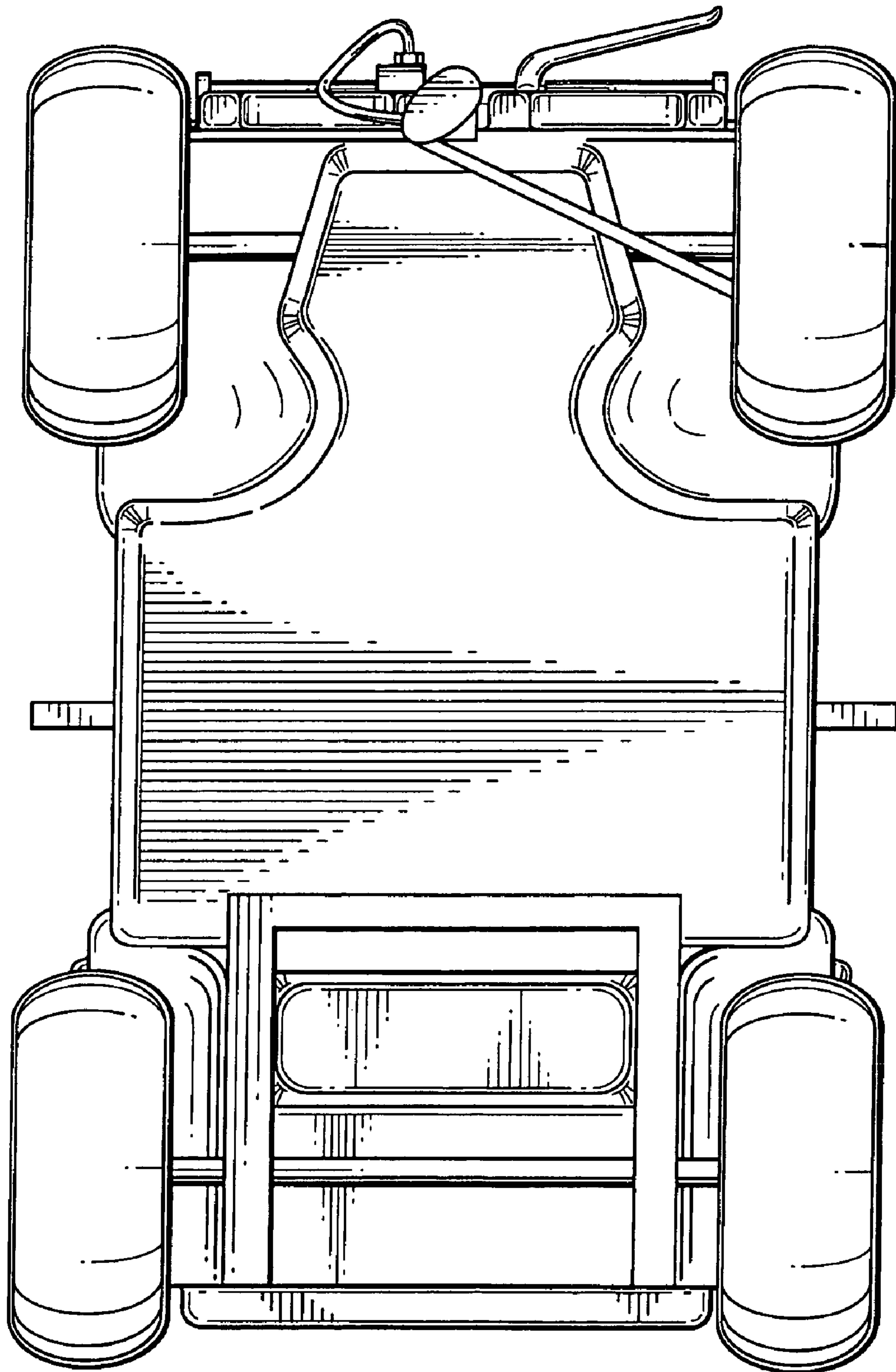




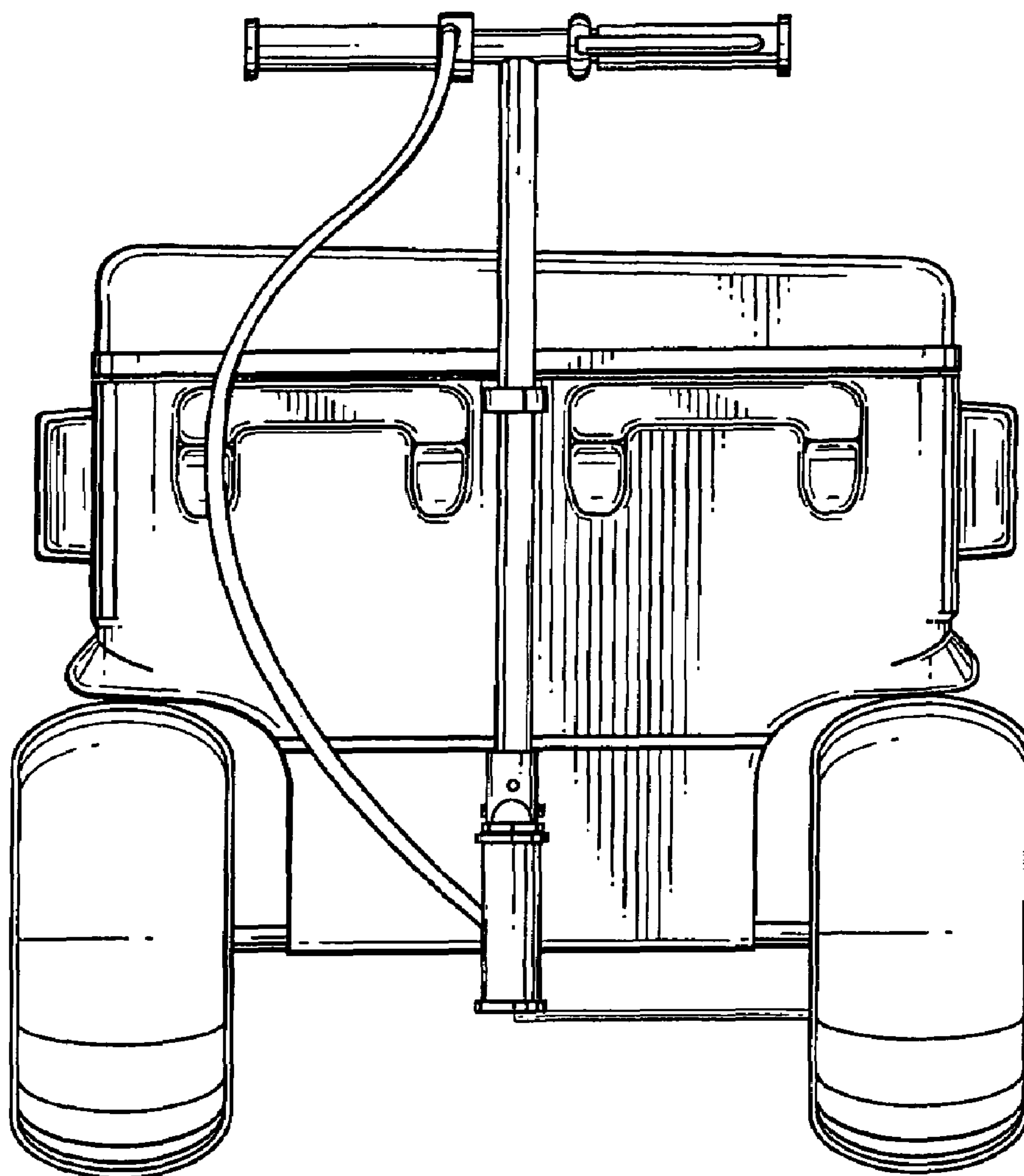
*Fig. 3*



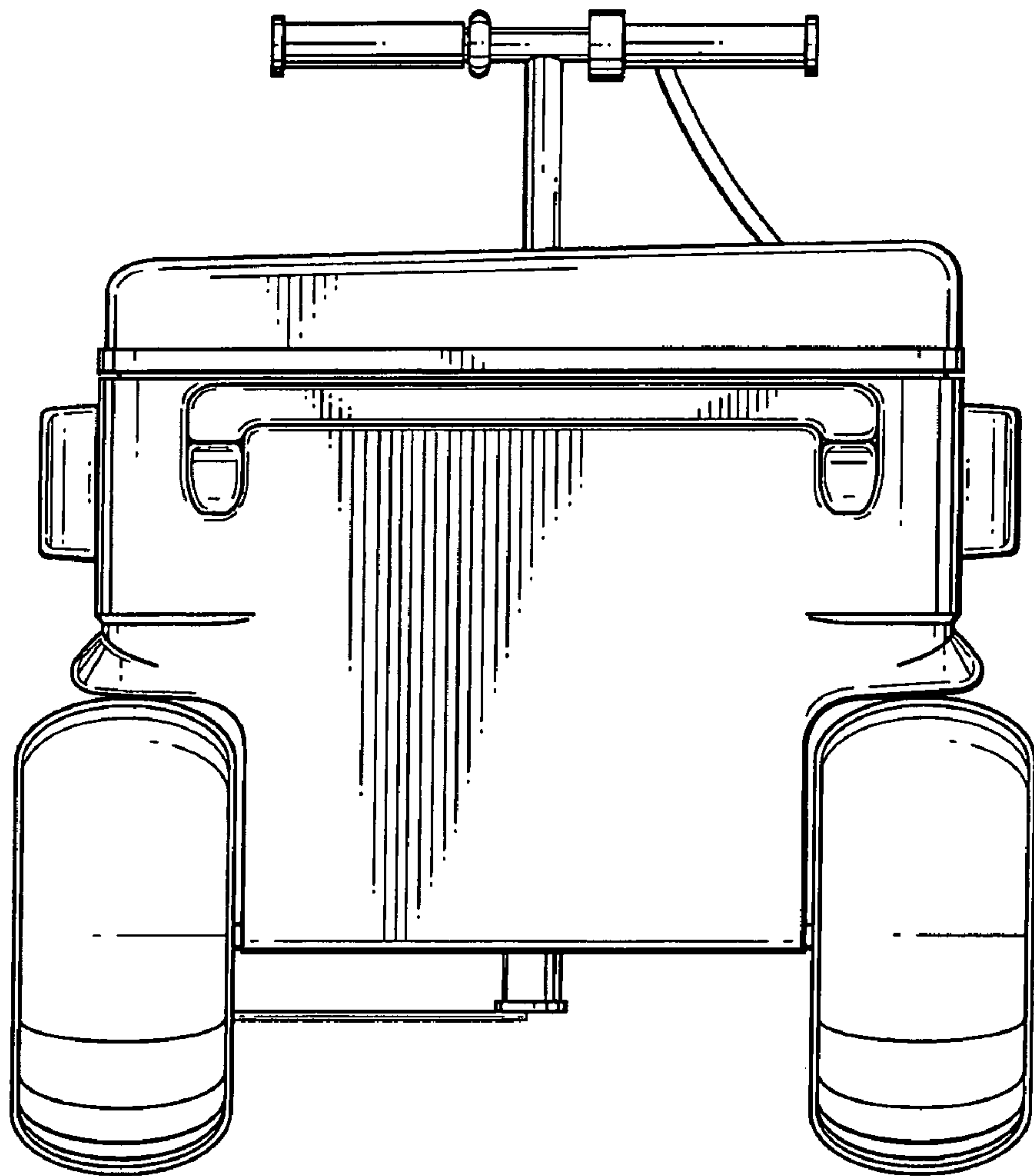
*Fig. 4*



*Fig. 5*



*Fig. 6*



*Fig. 7*