



US00D608152S

(12) **United States Design Patent**
DePalo

(10) **Patent No.:** **US D608,152 S**
(45) **Date of Patent:** **** Jan. 19, 2010**

(54) **RECEPTACLE FOR PIT CONTAINING PRODUCTS**

(76) **Inventor:** **Suzanne DePalo**, 54 Grahampton La.,
Greenwich, CT (US) 06830

(**) **Term:** **14 Years**

(21) **Appl. No.:** **29/331,978**

(22) **Filed:** **Feb. 6, 2009**

(51) **LOC (9) Cl.** **07-01**

(52) **U.S. Cl.** **D7/553.6; D7/538**

(58) **Field of Classification Search** D7/555,
D7/500, 550.1, 553.1, 553.6, 553.7, 553.8,
D7/554.1, 554.2, 554.4, 357, 584, 538, 501,
D7/601, 602, 600.2, 590; D24/227; D28/61,
D28/73; D3/313; D30/130; 206/561; 220/575,
220/737

See application file for complete search history.

(56) **References Cited**

U.S. PATENT DOCUMENTS

4,775,055	A *	10/1988	Morse	211/78
5,441,164	A *	8/1995	Beck et al.	220/575
D444,676	S *	7/2001	Murphy	D7/553.6
D486,991	S *	2/2004	Lee	D7/357
D489,972	S *	5/2004	Lin	D7/553.6
D511,273	S *	11/2005	Hadeler	D7/553.6
D523,185	S *	6/2006	Oliphant	D30/130

D542,600	S *	5/2007	James	D7/553.6
D568,112	S *	5/2008	Epstein	D7/554.2
D575,988	S *	9/2008	McComas	D7/549
D587,529	S *	3/2009	Pratt	D7/555
2003/0006151	A1 *	1/2003	Lin	206/216

* cited by examiner

Primary Examiner—Robert M Spear

Assistant Examiner—Cynthia Underwood

(74) *Attorney, Agent, or Firm*—Fitzpatrick, Cella, Harper & Scinto

(57) **CLAIM**

The ornamental design for a receptacle for pit-containing products, as shown and described.

DESCRIPTION

FIG. 1 is a perspective view of receptacle embodying the claimed design;

FIG. 2 is a view of the portions of the receptacle in FIG. 1 in separated position;

FIG. 3 is a top view of the receptacle in FIG. 1;

FIG. 4 is a bottom view of the receptacle in FIG. 1;

FIG. 5 is a view of one side of the receptacle in FIG. 1; and,

FIG. 6 is a view of the other side of the receptacle in FIG. 1.

The broken lines represent environment and portions of the structure that form no part of the claim.

1 Claim, 4 Drawing Sheets

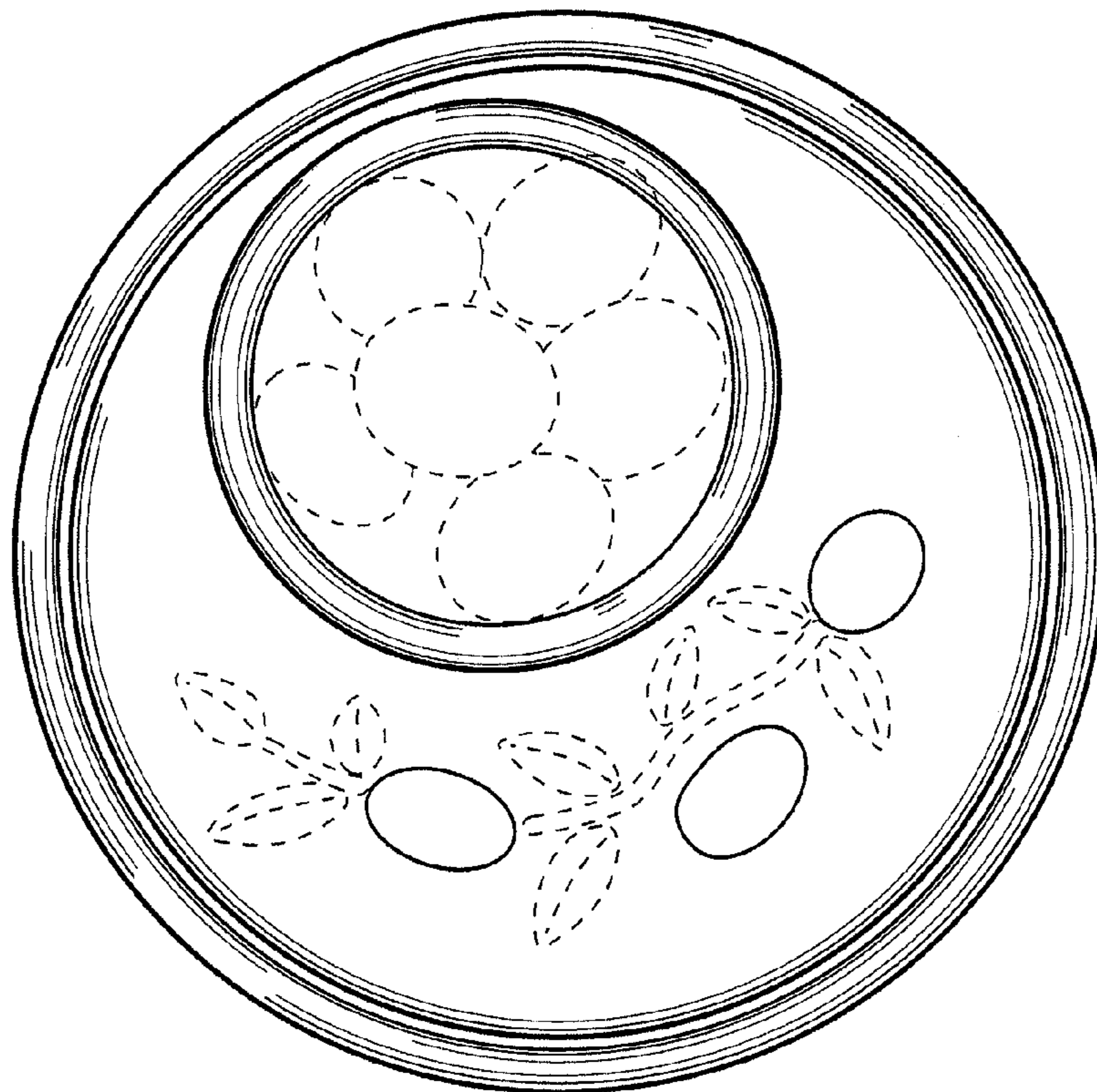


FIG. 1

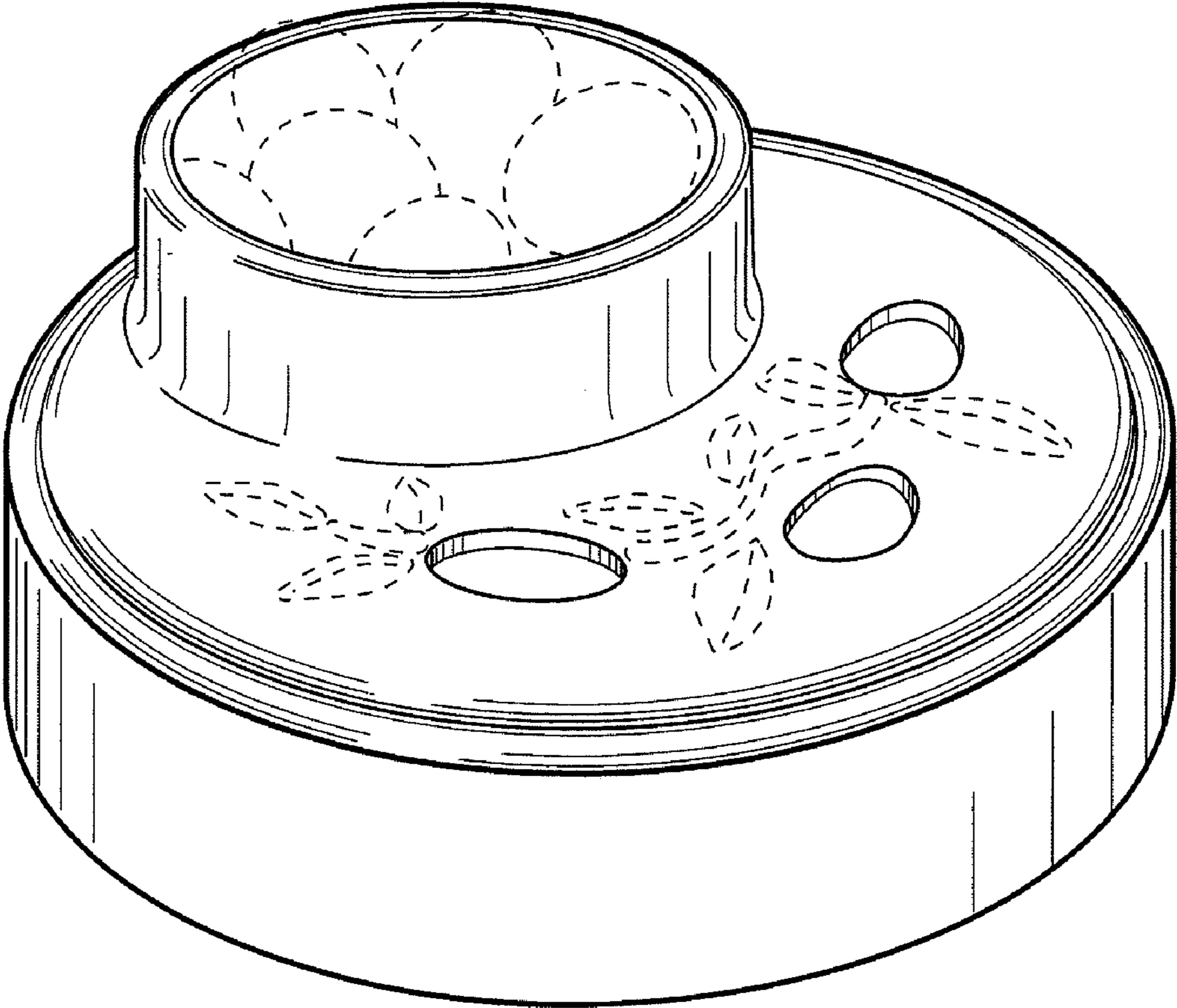


FIG. 2

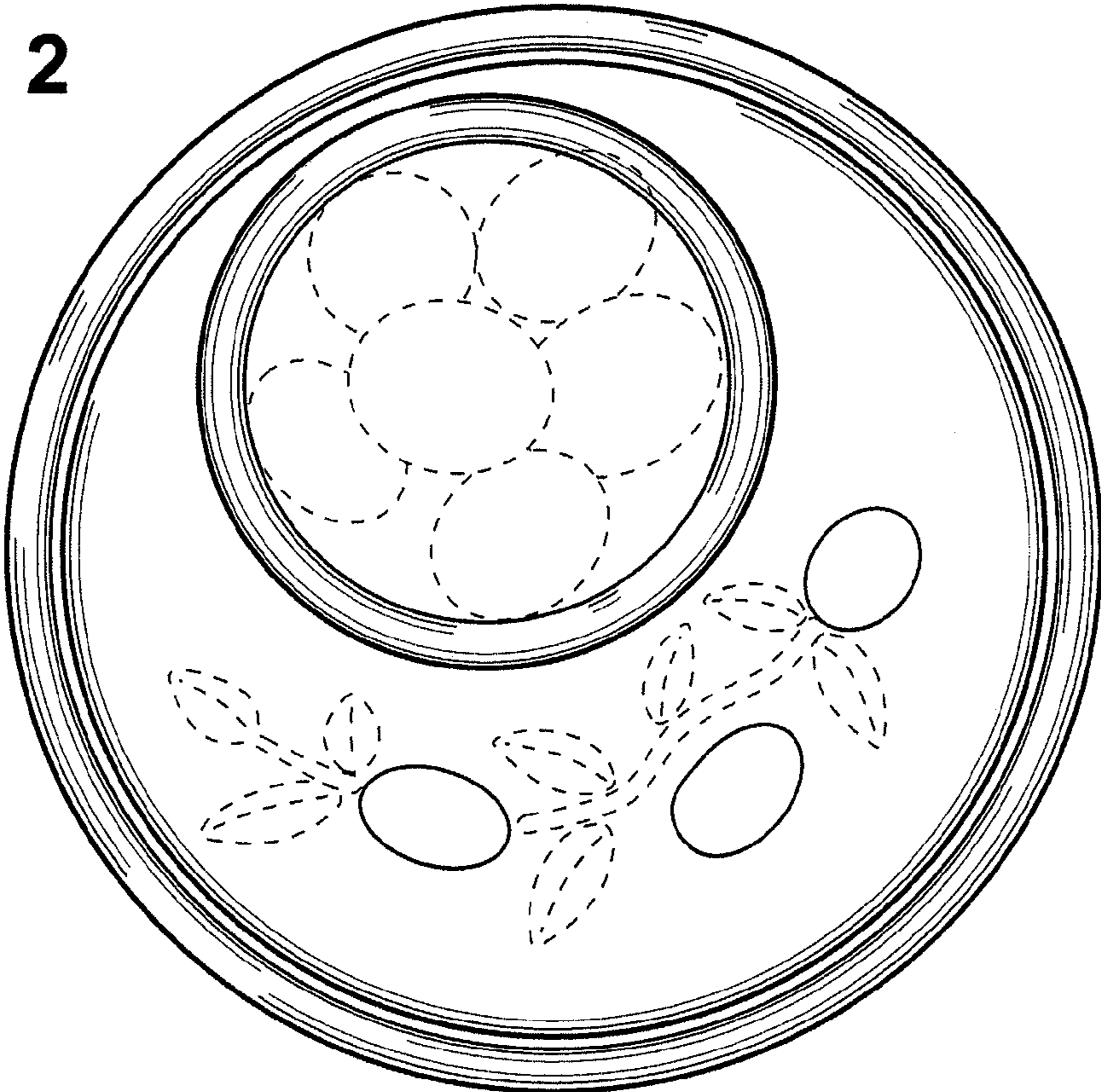


FIG. 3

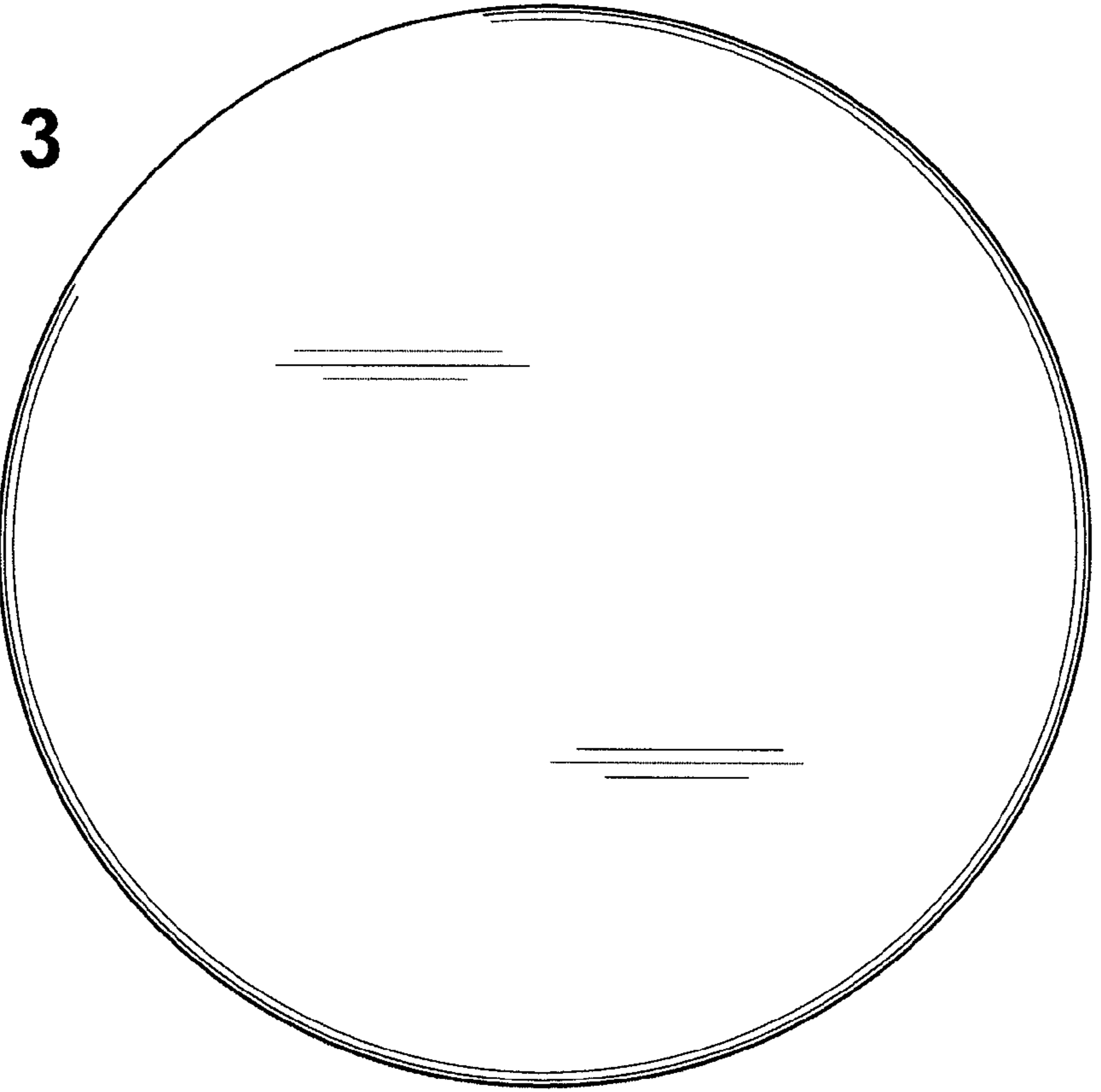


FIG. 4

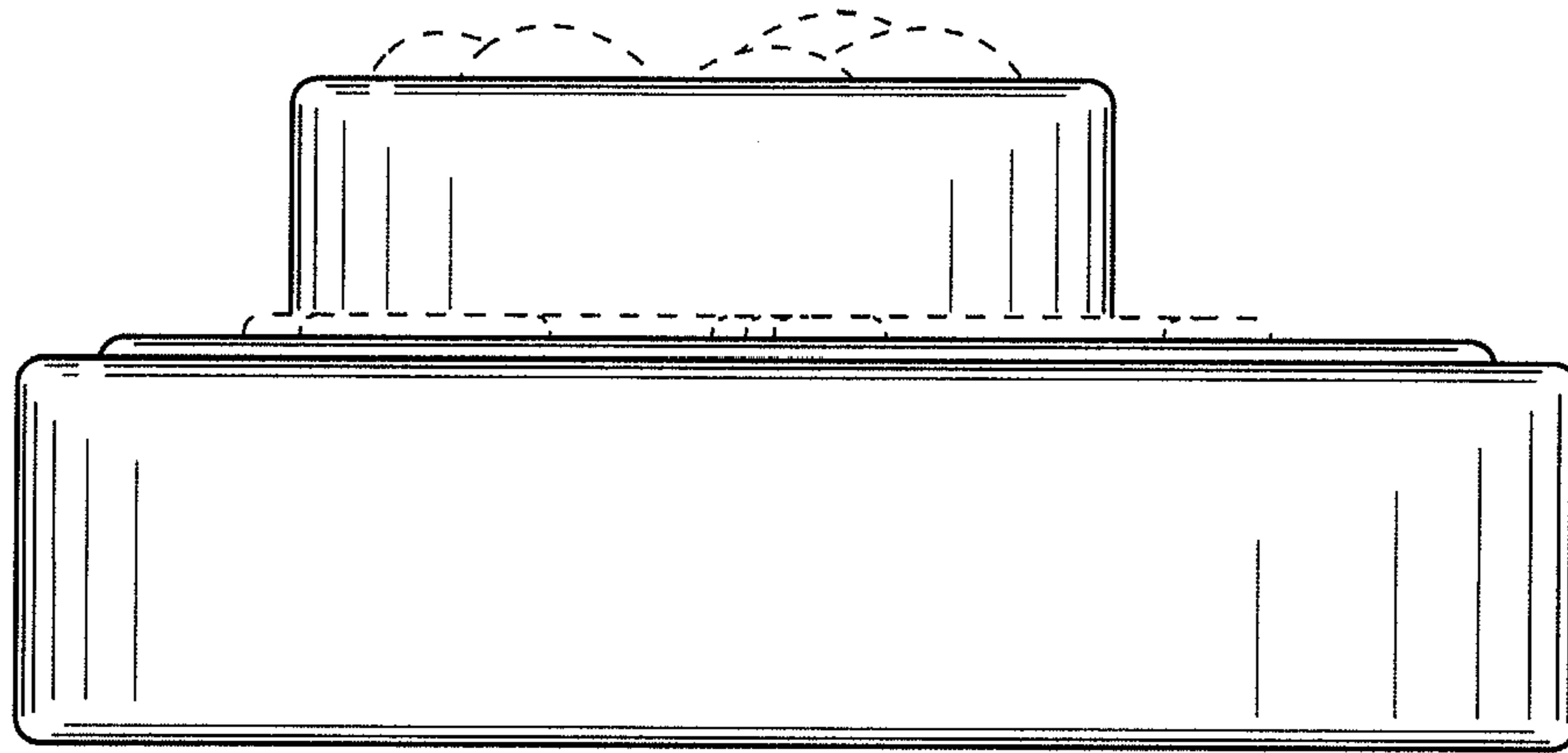


FIG. 5

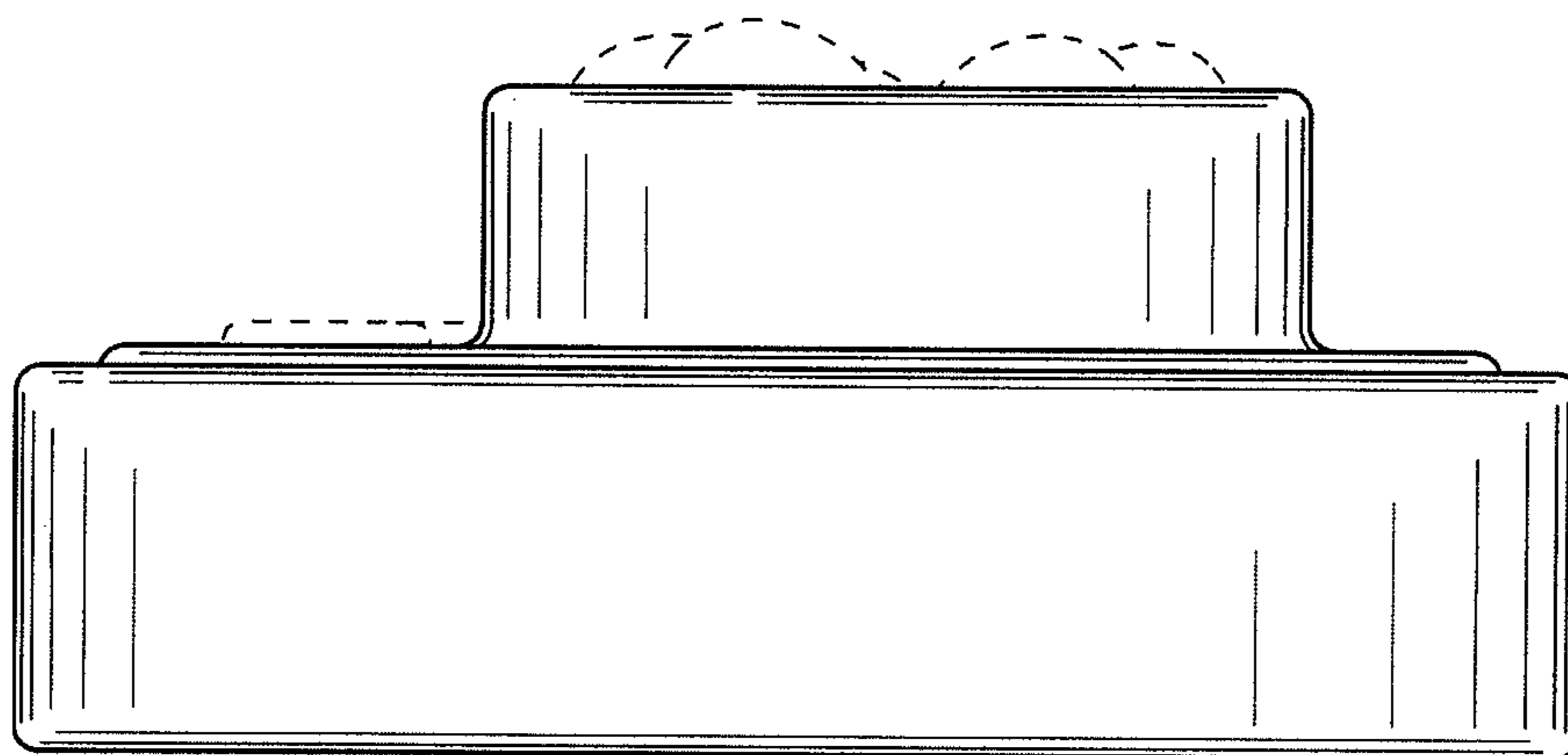


FIG. 6

