



US00D608151S

(12) **United States Design Patent**  
**Lentz**

(10) **Patent No.:** **US D608,151 S**  
(45) **Date of Patent:** **\*\* Jan. 19, 2010**

(54) **WEARER ATTACHABLE FOOD TRAY**

(76) Inventor: **Helen M. Lentz**, R.R. 15 Box 6447,  
Stroudsburg, PA (US) 18360

(\*\*) Term: **14 Years**

(21) Appl. No.: **29/333,657**

(22) Filed: **Mar. 12, 2009**

(51) **LOC (9) Cl.** ..... **07-01**

(52) **U.S. Cl.** ..... **D7/552.1; D7/553.1**

(58) **Field of Classification Search** ..... D7/300,  
D7/300.1, 312, 316, 318, 354, 356, 360, 376,  
D7/380, 392.1, 394, 396.2, 396.6, 397, 500,  
D7/501, 503, 505, 507, 523, 532, 535, 538,  
D7/540-555, 557, 558, 560-562, 565, 566,  
D7/570-571, 584-588, 601-602, 611, 624.1,  
D7/629-630, 642, 669, 682-383, 686, 688,  
D7/701; D6/339, 406.1-406.6, 419, 429,  
D6/430; D9/340, 414-418, 420, 422-426,  
D9/428-433, 456-457, 499, 500, 502, 655-657,  
D9/702-703, 737, 749, 755, 761, 769, 772,  
D9/901, 902; D11/152, 154, 155, 156; D12/133,  
D12/416, 419, 426.1; D14/157, 447, 457;  
D19/35; D24/132, 216, 220, 221, 224, 227;  
D26/121; D30/123, 129-130; 220/23.83,  
220/212, 506, 555, 560, 561, 574-575, 577,  
220/657; 206/561, 565; 425/459, 623; 426/106,  
426/119, 120, 127

See application file for complete search history.

(56) **References Cited**

**U.S. PATENT DOCUMENTS**

1,191,425 A 7/1916 Huddle  
2,510,646 A \* 6/1950 Meers ..... 224/265  
2,685,757 A 8/1954 Mirigian  
D183,580 S \* 9/1958 Seaford ..... D7/552.1

3,009,613 A 11/1961 Noland  
3,061,390 A 10/1962 Walsh et al.  
3,348,741 A \* 10/1967 Wooten ..... 222/175  
D298,884 S \* 12/1988 Rychlock ..... D12/420  
5,074,222 A 12/1991 Welch  
D346,310 S 4/1994 Schlesier et al.  
5,421,499 A 6/1995 Bauer  
5,678,741 A \* 10/1997 Schieber ..... 224/275  
5,724,225 A \* 3/1998 Hrusoff et al. .... 361/679.55  
D393,242 S \* 4/1998 Wood ..... D12/416  
5,762,250 A 6/1998 Carlton et al.  
D401,214 S \* 11/1998 Benavidez et al. .... D12/416  
5,850,956 A 12/1998 Hayward, Jr.  
D427,765 S 7/2000 Porter  
D471,856 S \* 3/2003 Chiang ..... D12/416  
D473,840 S \* 4/2003 Sauer ..... D12/416

\* cited by examiner

*Primary Examiner*—Jeffrey D Asch  
*Assistant Examiner*—Bridget L Eland

(57) **CLAIM**

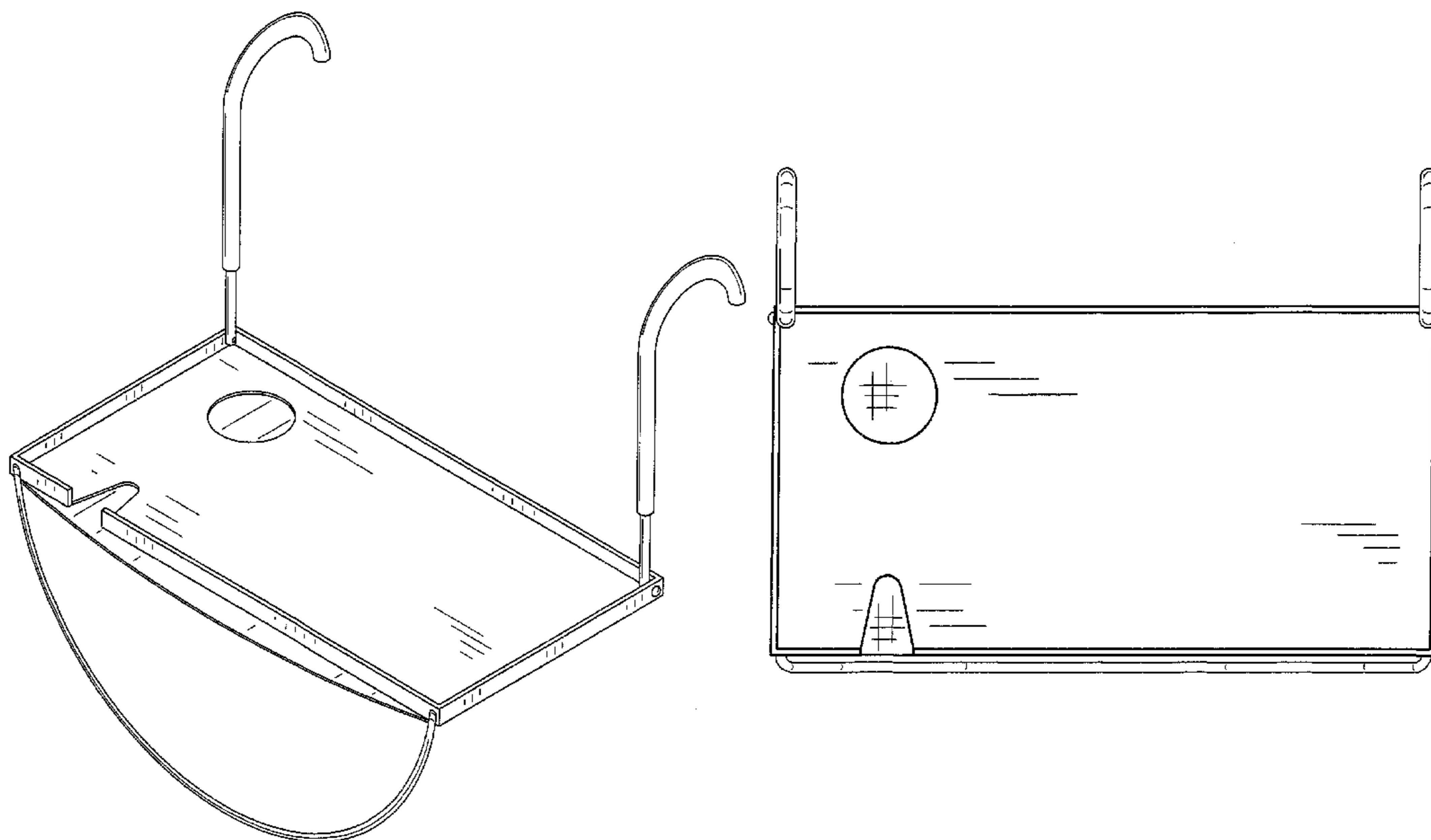
The ornamental design for a wearer attachable food tray, as shown and described.

**DESCRIPTION**

FIG. 1 is a perspective view of a wearer attachable food tray;  
FIG. 2 is a front view thereof;  
FIG. 3 is a back view thereof;  
FIG. 4 is a side view thereof (opposite side is mirror image);  
FIG. 5 is a top view thereof; and,  
FIG. 6 is a bottom view thereof.

The crisscross pattern schematically depicted in FIGS. 5 and 6 indicates a change in material that is continuous throughout the surface on which the pattern is shown.

**1 Claim, 6 Drawing Sheets**



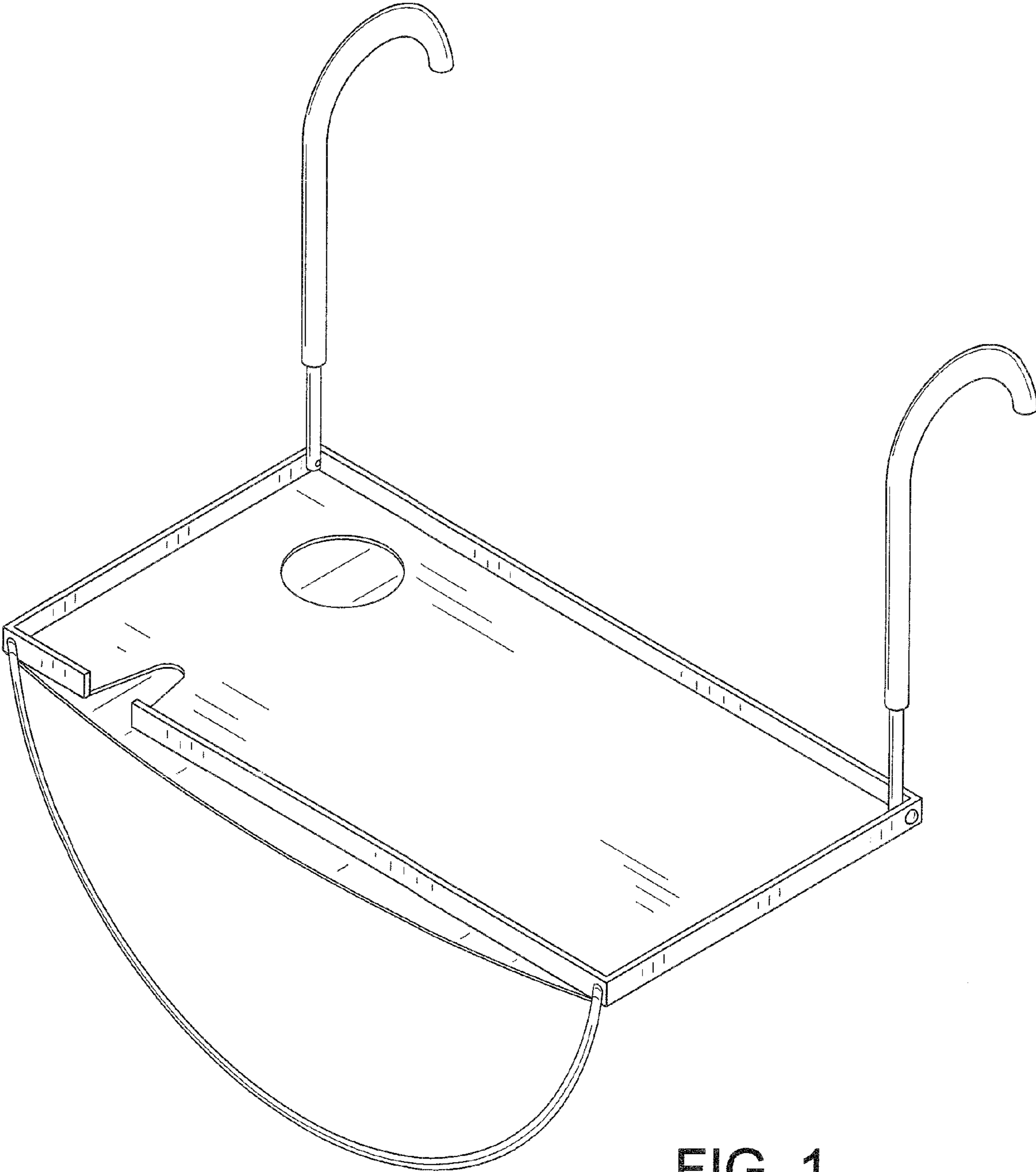


FIG. 1

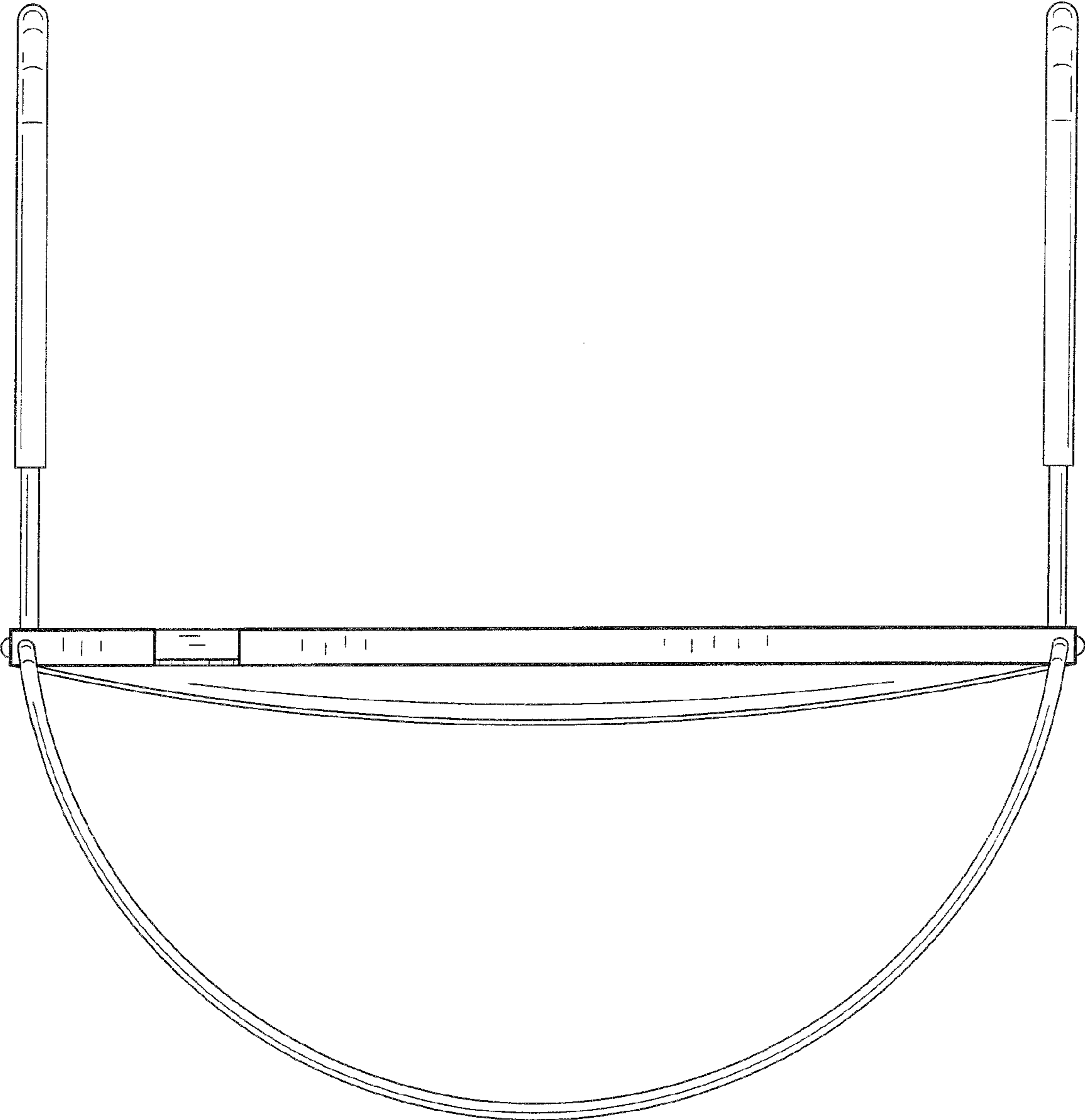


FIG. 2

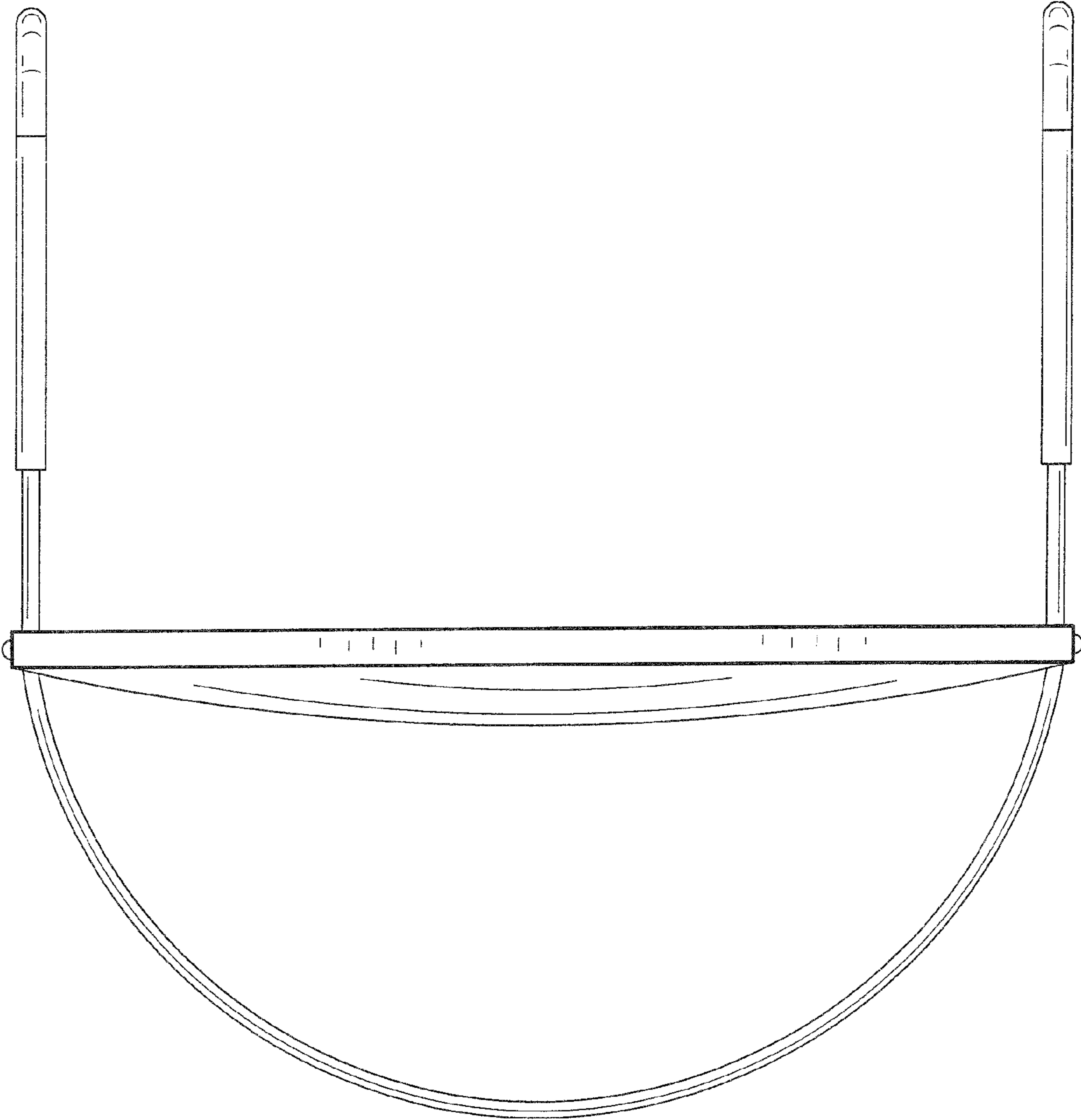


FIG. 3

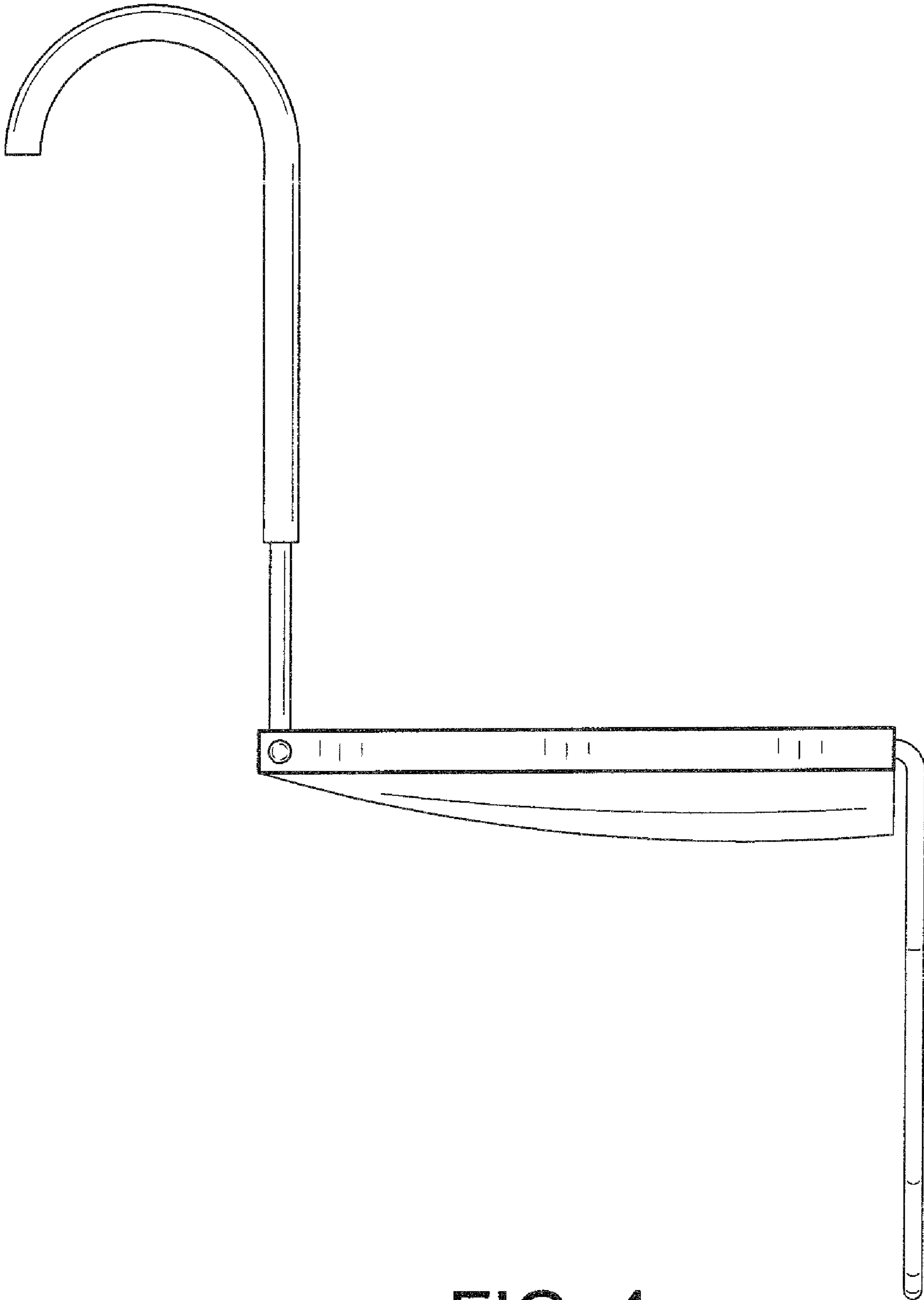


FIG. 4

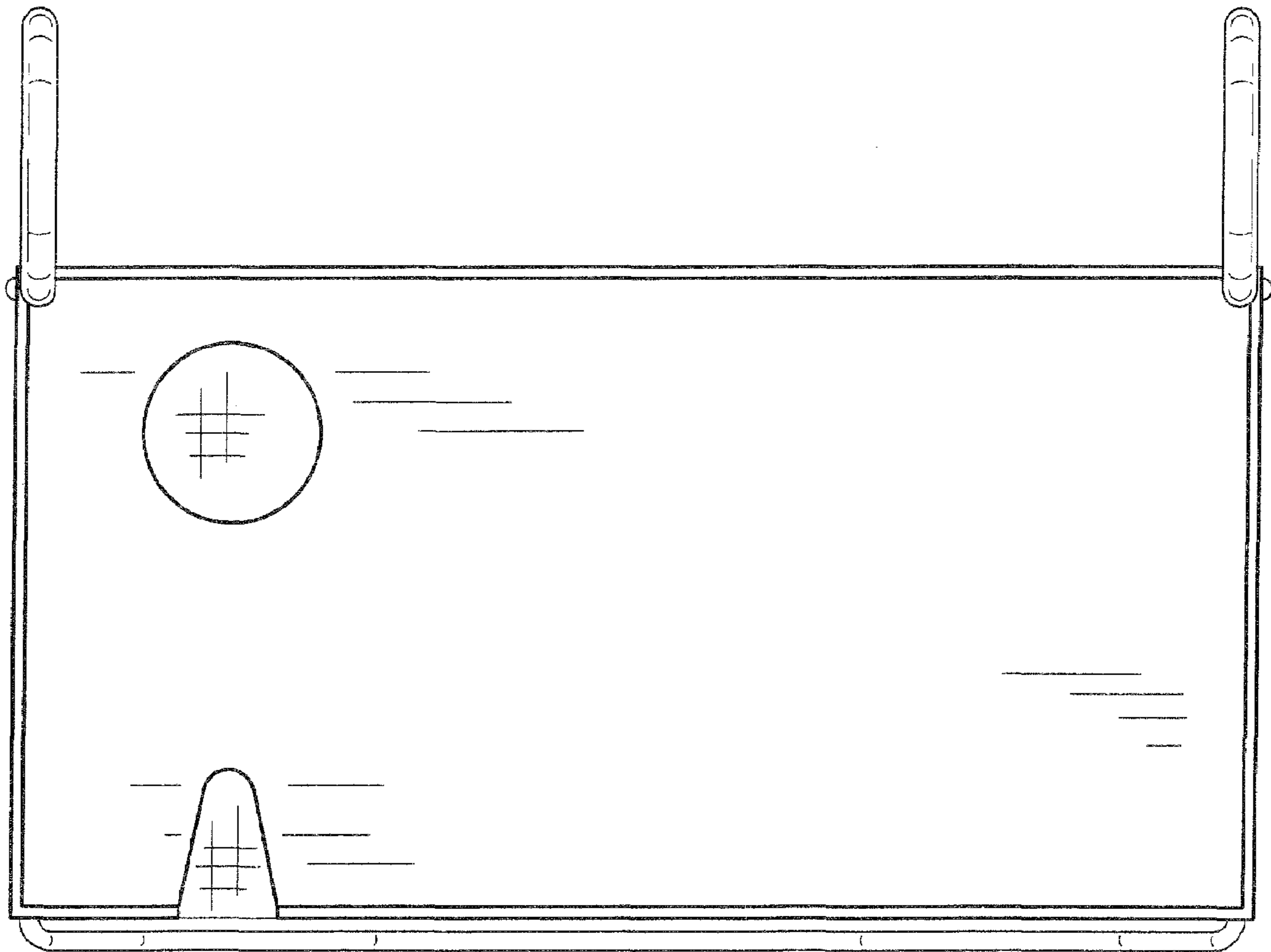


FIG. 5

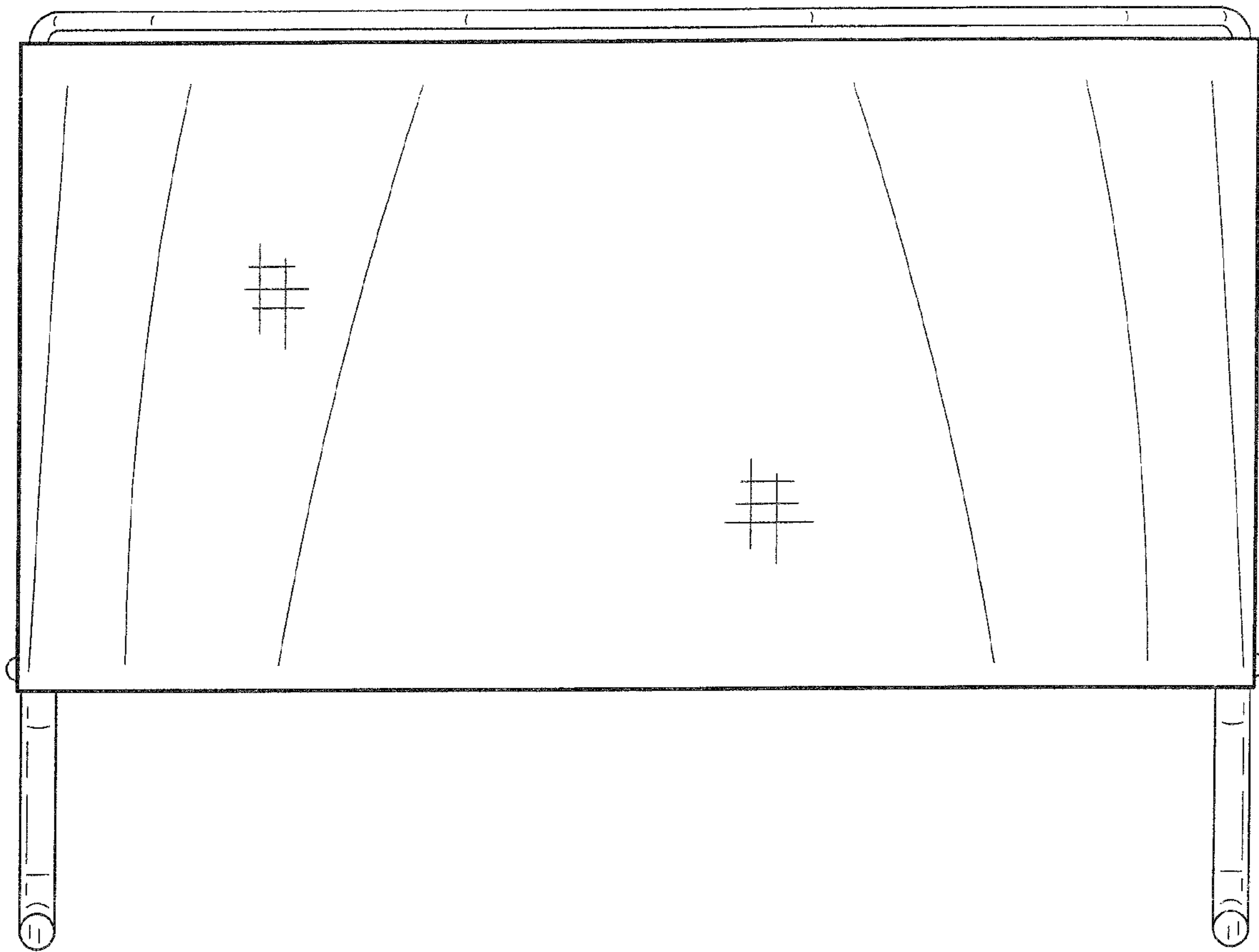


FIG. 6