



US00D608148S

(12) **United States Design Patent**
Lane

(10) **Patent No.:** **US D608,148 S**

(45) **Date of Patent:** **** Jan. 19, 2010**

(54) **BEVERAGE CONTAINER**

(75) Inventor: **Marvin Lane**, Round Lake Beach, IL
(US)

(73) Assignee: **Thermos L.L.C.**, Rolling Meadows, IL
(US)

(**) Term: **14 Years**

(21) Appl. No.: **29/314,156**

(22) Filed: **Mar. 6, 2009**

(51) **LOC (9) Cl.** **07-01**

(52) **U.S. Cl.** **D7/510; D7/523; D7/396.2**

(58) **Field of Classification Search** D7/524,
D7/527, 531, 396.6, 396.1, 387, 396.2, 509,
D7/523, 537, 510; 215/387, DIG. 7; 220/703,
220/592.16, 592.17

See application file for complete search history.

(56) **References Cited**

U.S. PATENT DOCUMENTS

D233,875 S	*	12/1974	Mazur	D7/524
D502,365 S	*	3/2005	Dretzka	D7/523
D559,622 S	*	1/2008	Carreno	D7/510
D568,155 S	*	5/2008	Glydon et al.	D9/500
D593,811 S	*	6/2009	Carreno	D7/629
D594,278 S	*	6/2009	Snell	D7/523

2006/0183086	A1*	8/2006	Brandt	434/127
2008/0128438	A1*	6/2008	Lane	220/717
2008/0290093	A1*	11/2008	Vadersen	220/359.2

* cited by examiner

Primary Examiner—Robert M Spear

Assistant Examiner—Cynthia Underwood

(74) *Attorney, Agent, or Firm*—Wood, Phillips, Katz, Clark & Mortimer

(57) **CLAIM**

The ornamental design for a beverage container, as shown and described.

DESCRIPTION

FIG. 1 is a perspective view from above of the beverage container;

FIG. 2 is a perspective view from below of the beverage container;

FIG. 3 is a front view of the beverage container, with the back view being identical;

FIG. 4 is a right side view of the beverage container, with the left side view being a mirror image; and,

FIG. 5 is a bottom plan view of the beverage container.

It is to be understood that the broken lines are for illustrative purposes only and form no part of the claimed design.

1 Claim, 2 Drawing Sheets

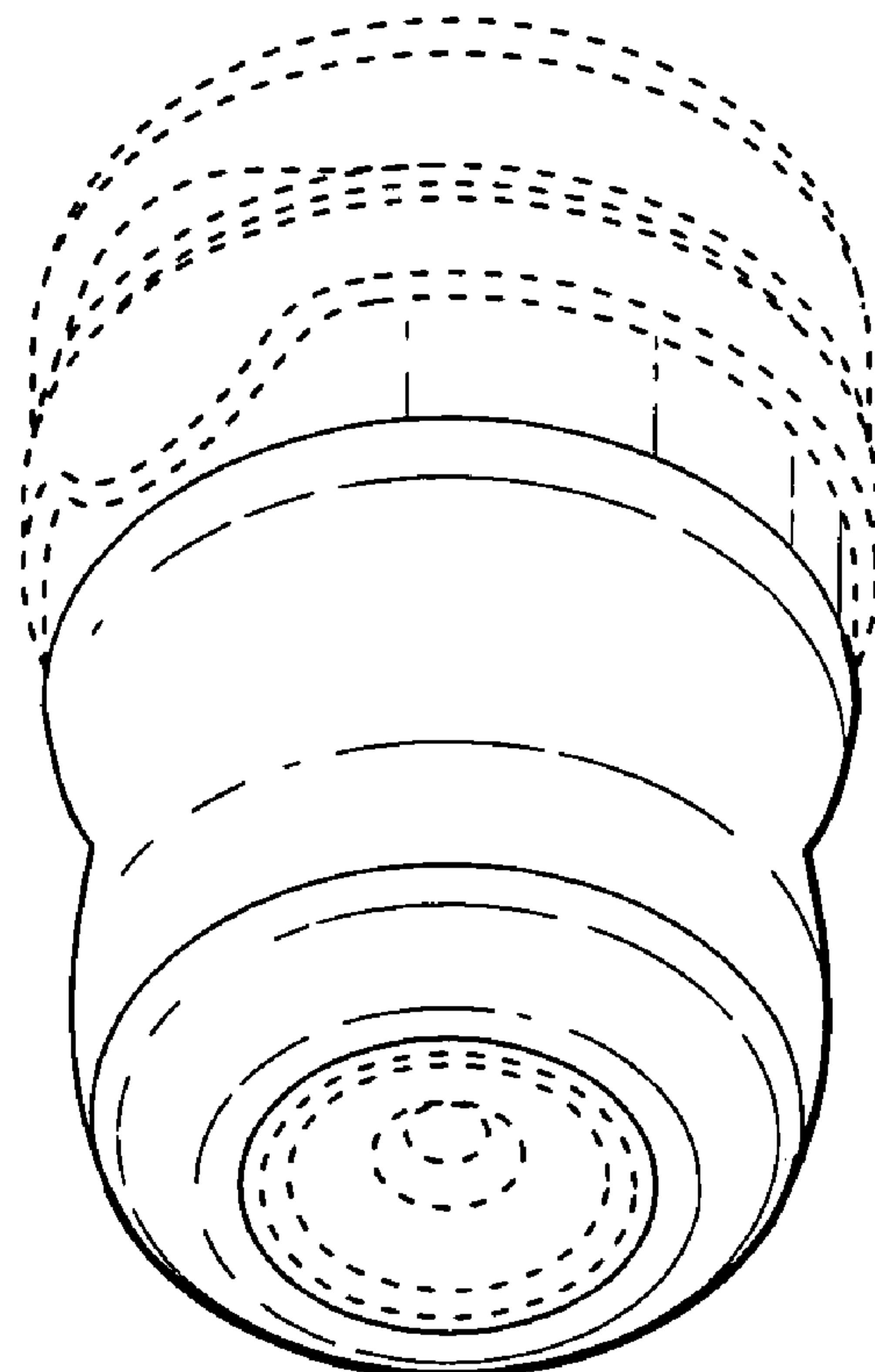
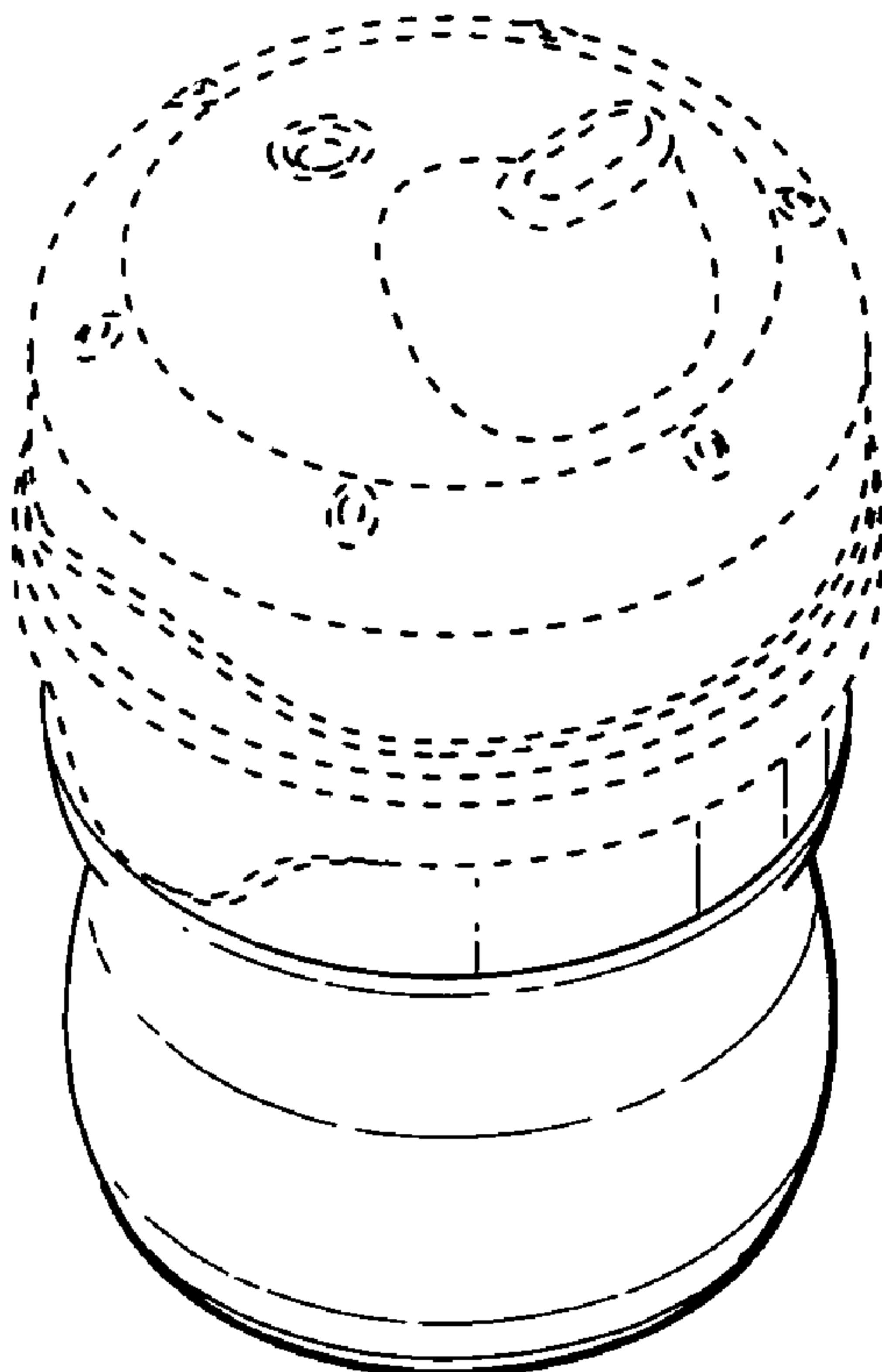


Fig. 1

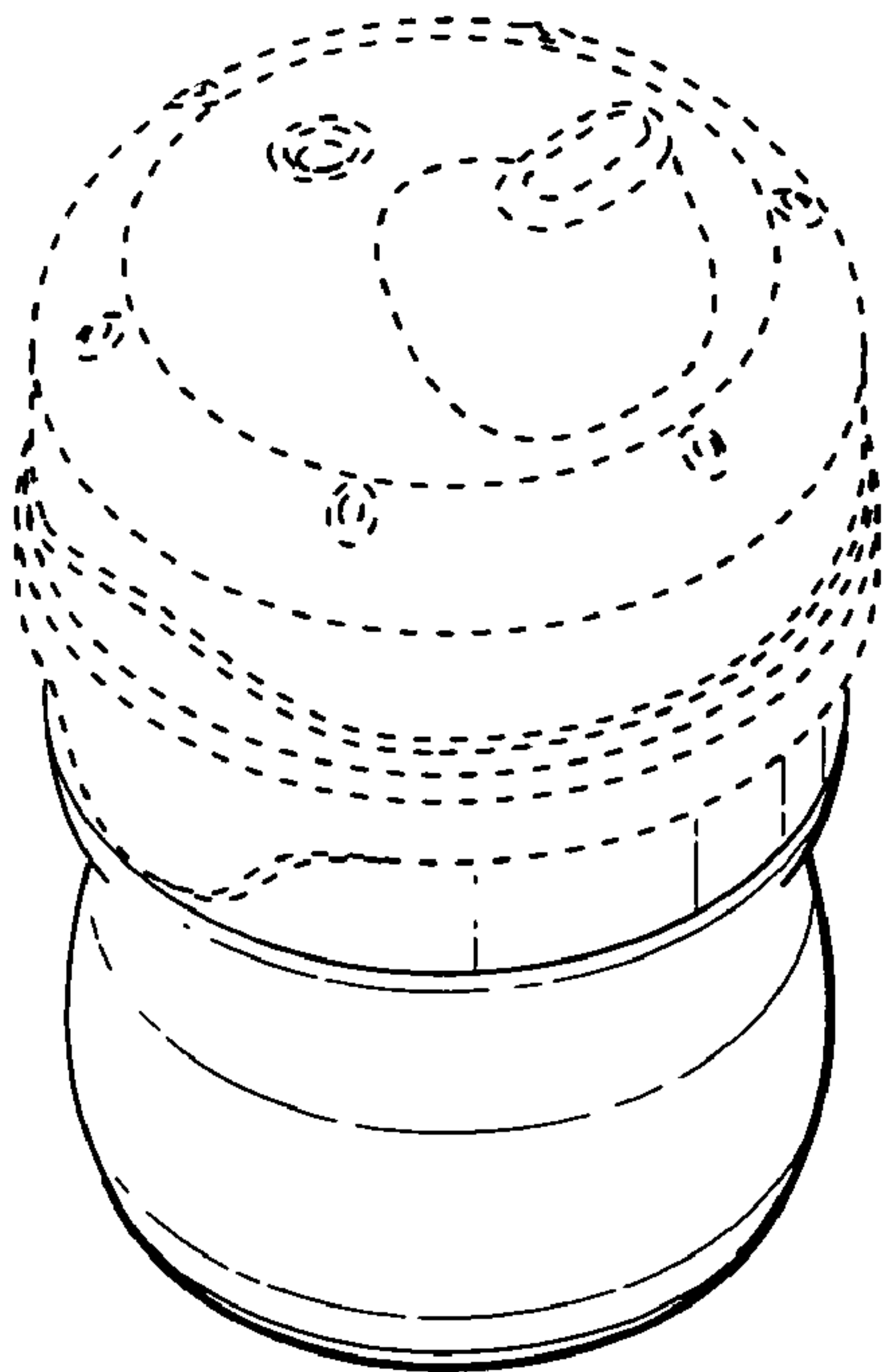


Fig. 2

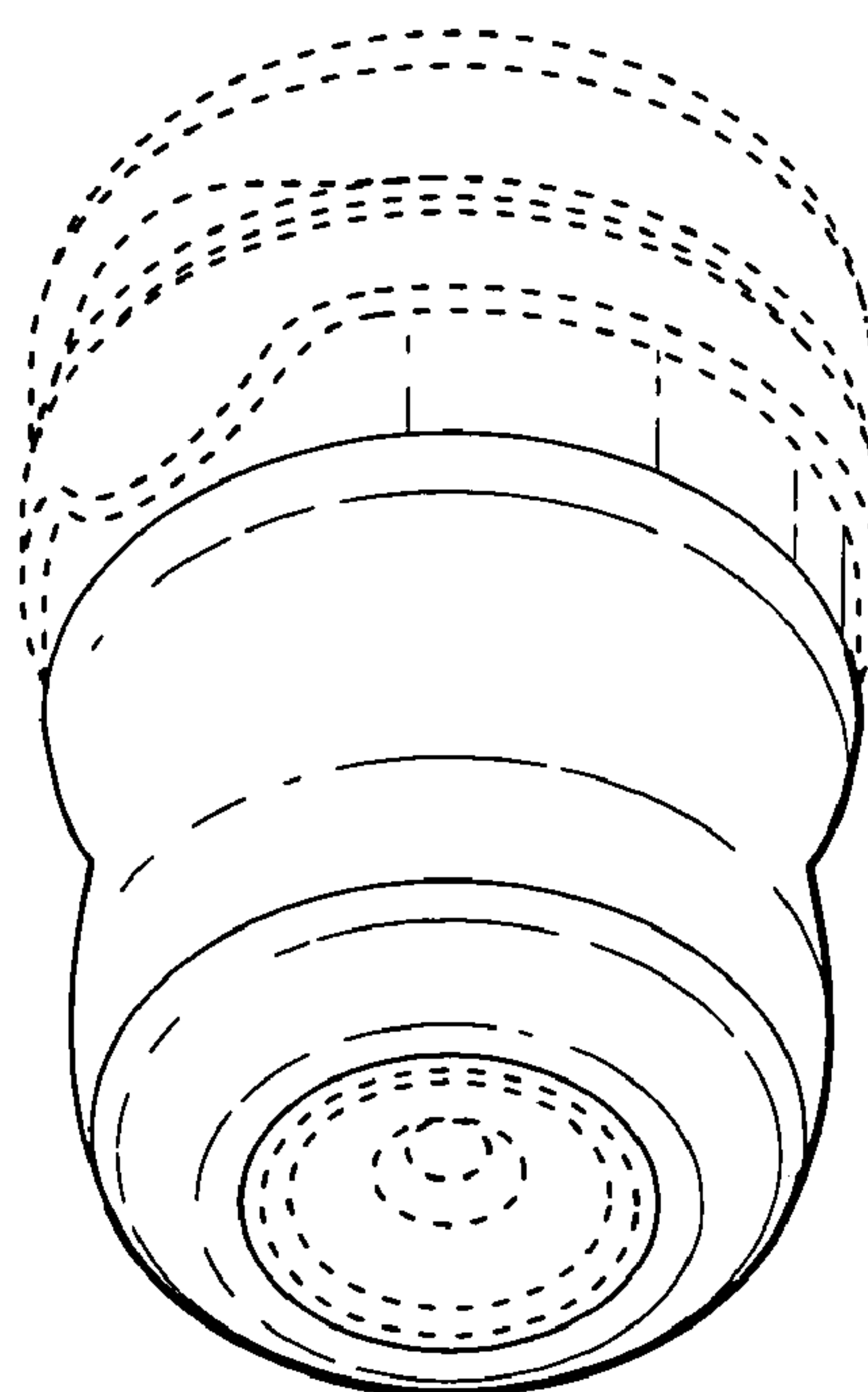


Fig. 3

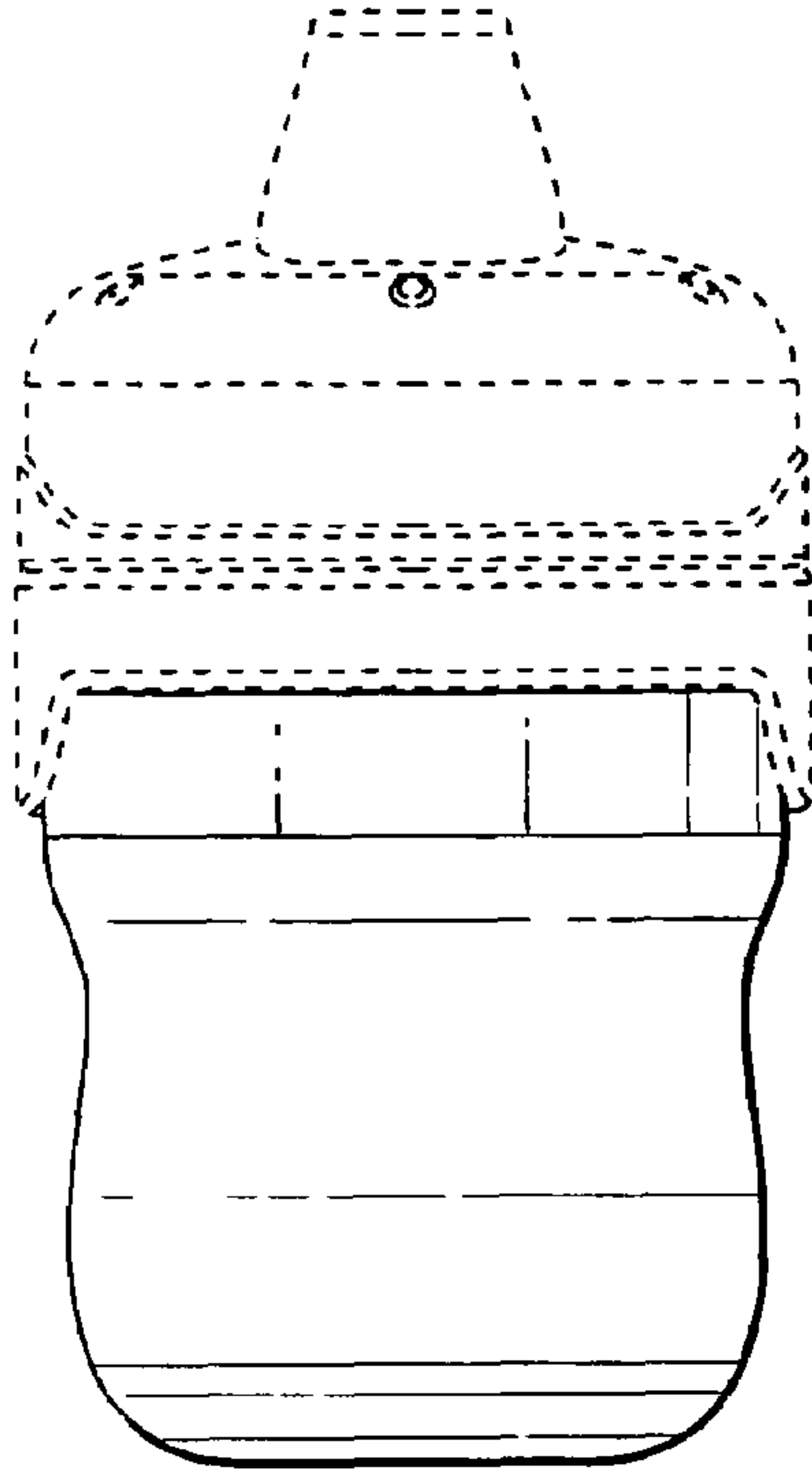


Fig. 4

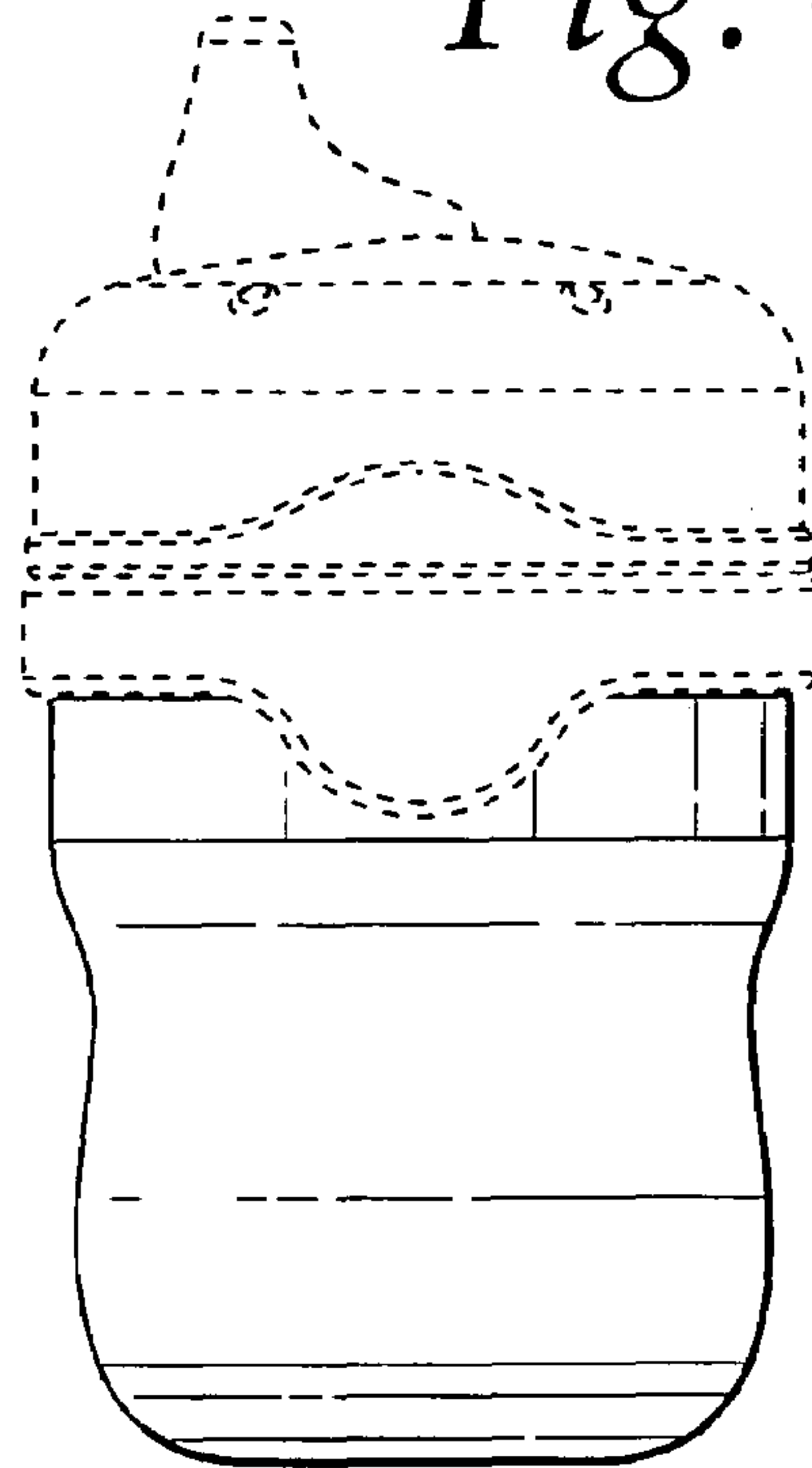


Fig. 5

