



US00D608147S

(12) **United States Design Patent**
Sykes

(10) **Patent No.:** **US D608,147 S**

(45) **Date of Patent:** **** Jan. 19, 2010**

(54) **DRINKING CUP SET**

(75) Inventor: **Brian Sykes**, Lake Forest, CA (US)

(73) Assignee: **LHS International, LLC (CA LLC)**,
Lake Forest, CA (US)

(**) Term: **14 Years**

(21) Appl. No.: **29/308,445**

(22) Filed: **Jun. 17, 2008**

(51) **LOC (9) Cl.** **07-01**

(52) **U.S. Cl.** **D7/507; D7/510**

(58) **Field of Classification Search** D7/507-511,
D7/523, 615; D9/538, 522, 504, 905, 724,
D9/447, 500, 609; D19/85; 215/12.1; 222/144.5;
229/5.5; 220/592.27, 592.16, 592.17, 715;
D3/264

See application file for complete search history.

(56) **References Cited**

U.S. PATENT DOCUMENTS

D110,286	S	*	6/1938	Krehbiel	D11/152
2,899,098	A	*	8/1959	North	220/592.17
3,128,029	A	*	4/1964	Price et al.	229/400
3,375,954	A	*	4/1968	Honkanen et al.	206/520
4,136,799	A	*	1/1979	Albert	220/298
D354,416	S	*	1/1995	Cautereels et al.	D7/507
D355,735	S	*	2/1995	Shaffer et al.	D32/53
D376,729	S	*	12/1996	Maki	D7/514
D377,293	S	*	1/1997	Husted	D7/510
D379,714	S	*	6/1997	Cerny et al.	D3/264
D390,002	S	*	2/1998	Brizard	D3/229
D399,392	S	*	10/1998	Husted	D7/511

D446,122	S	*	8/2001	Weinstein et al.	D9/504
D446,687	S	*	8/2001	Furman et al.	D7/523
D466,371	S	*	12/2002	Parker	D7/510
D476,193	S	*	6/2003	Janky	D7/510
D502,396	S	*	3/2005	Frisch et al.	D9/503
D572,531	S	*	7/2008	Romandy et al.	D7/510
D593,361	S	*	6/2009	Hundley	D7/392.1
D596,460	S	*	7/2009	Nezu	D7/510

* cited by examiner

Primary Examiner—Marianne Pandozzi

(74) *Attorney, Agent, or Firm*—Curtis L. Harrington; Kathy E. Harrington; Harrington & Harrington

(57) **CLAIM**

The ornamental design for a drinking cup set, as shown and described.

DESCRIPTION

FIG. 1 is a perspective view of the drinking cup set of the invention;

FIG. 2 is an exploded perspective view thereof;

FIG. 3 is a front exploded view;

FIG. 4 is a rear exploded view;

FIG. 5 is a left side exploded view, the right side exploded view being a mirror image thereof;

FIG. 6 is a top exploded view; and,

FIG. 7 is a bottom exploded view.

The broken lines in the drawings are included for the purpose of illustration and form no part of the claimed design.

1 Claim, 6 Drawing Sheets

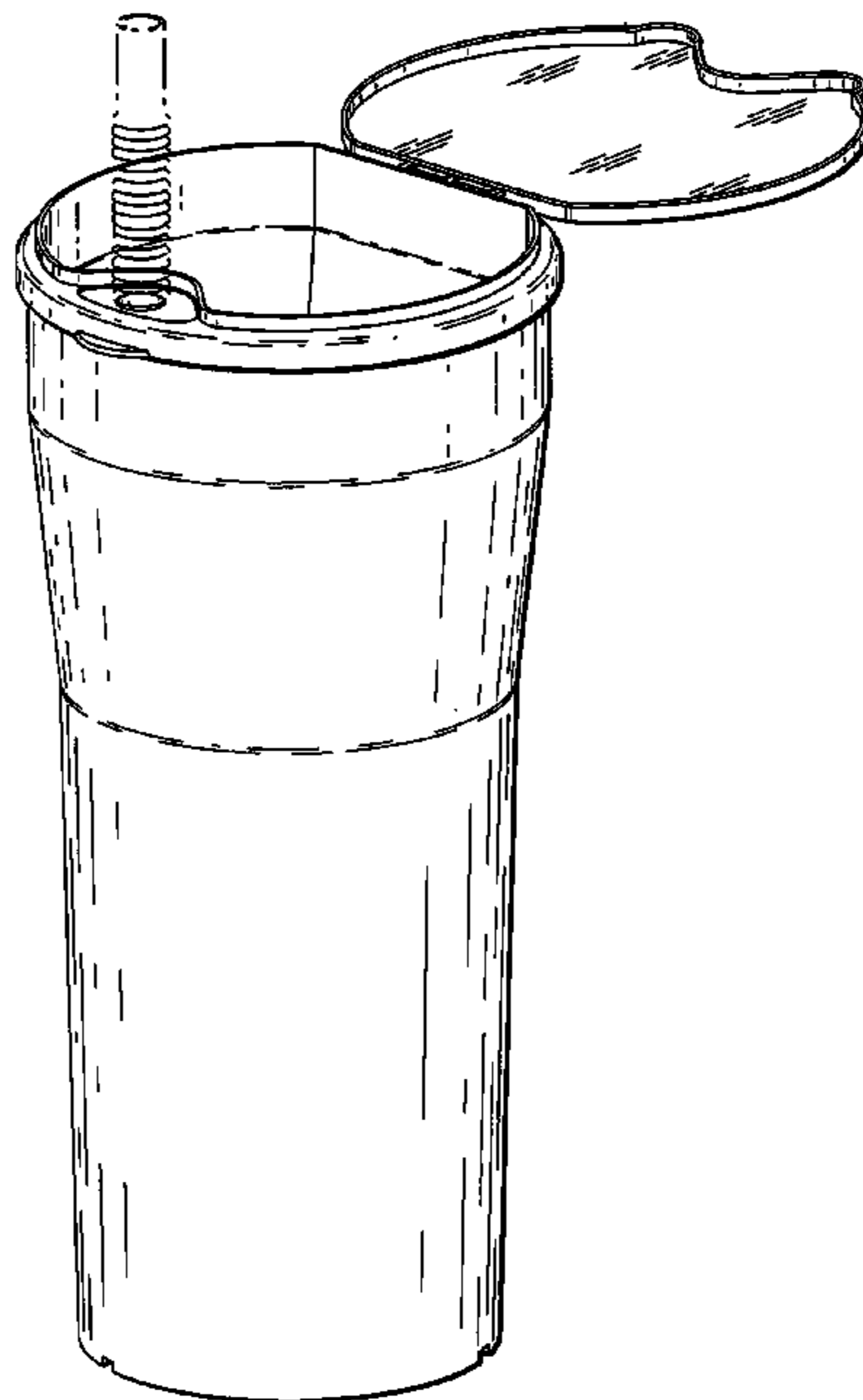


Fig. 1

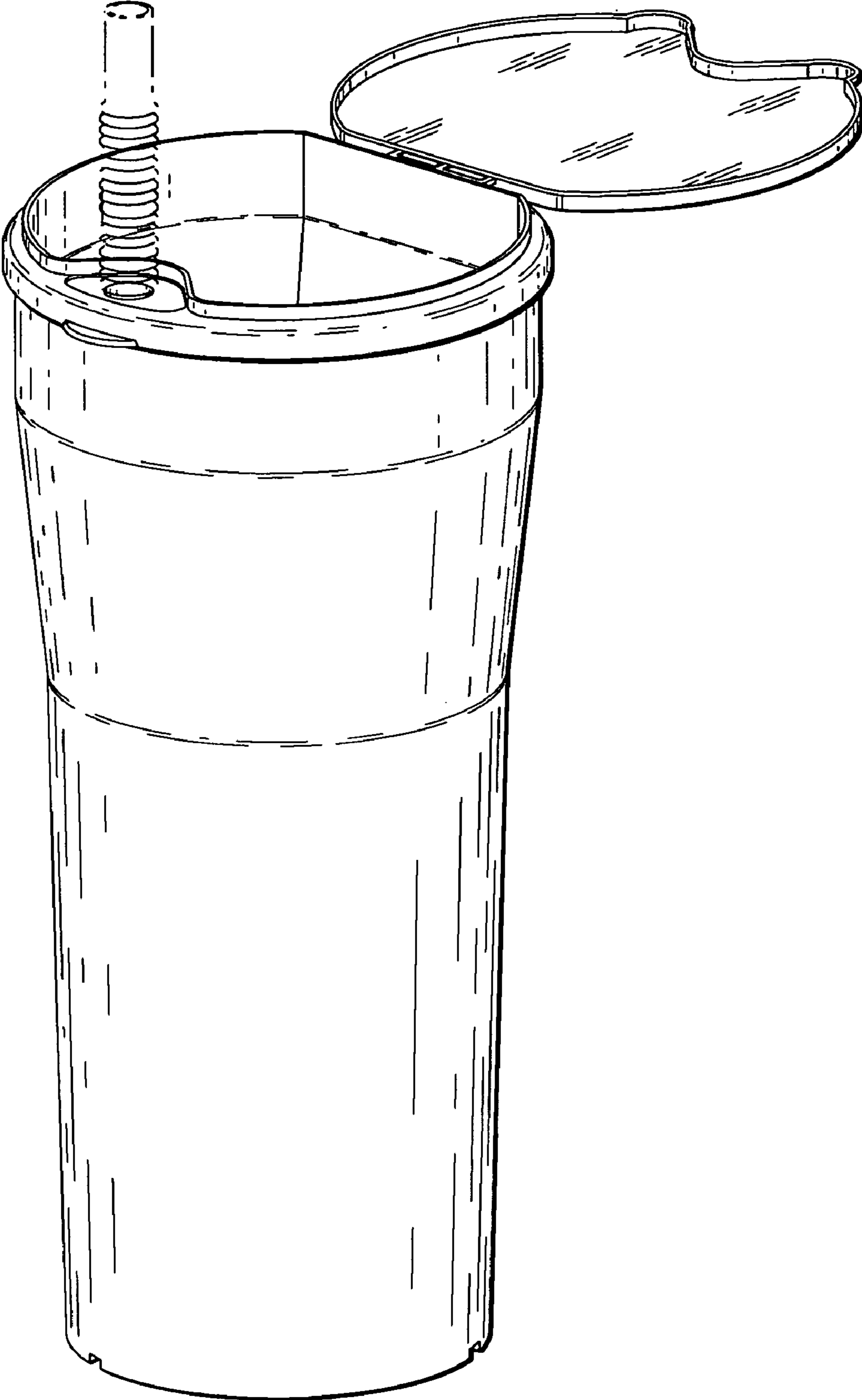


Fig. 2

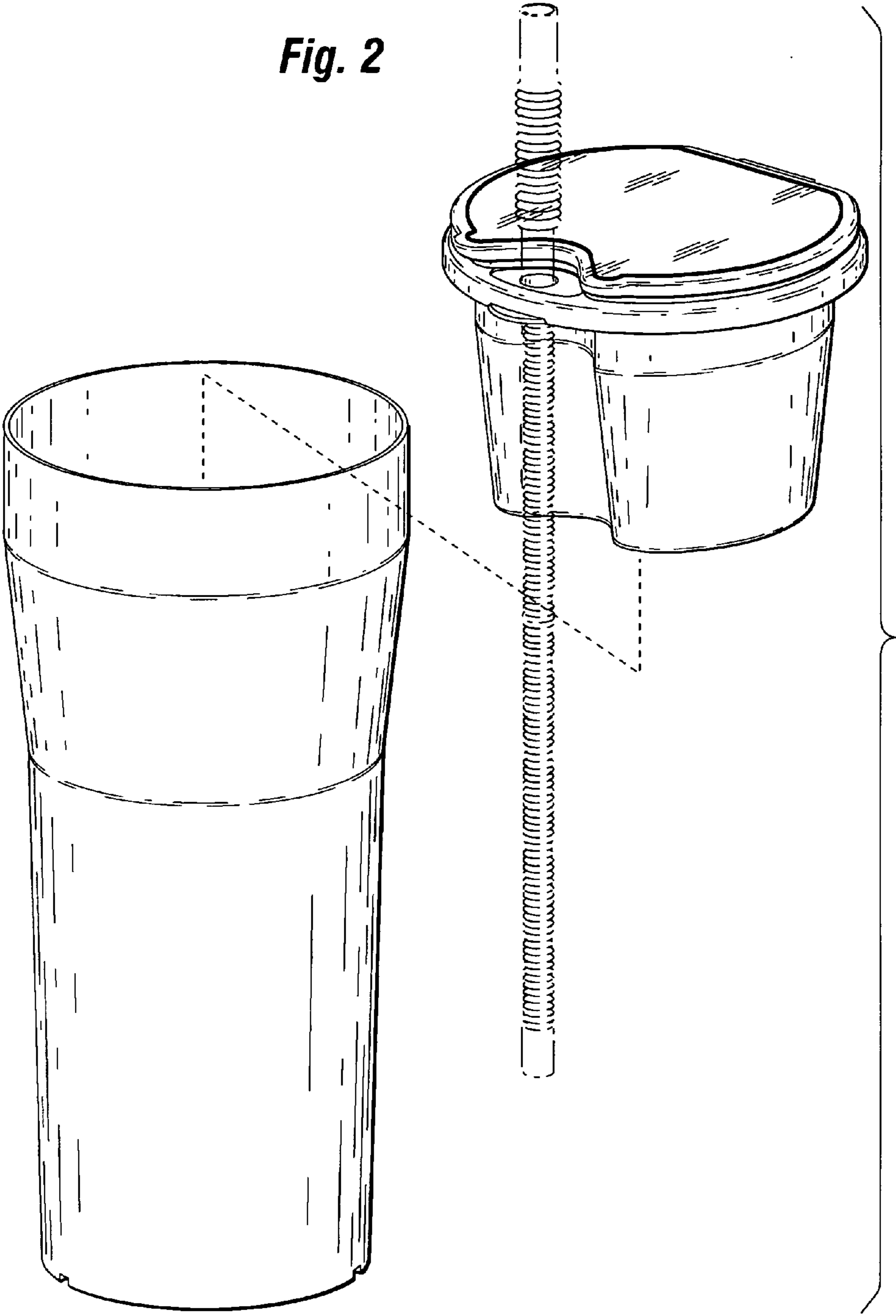


Fig. 3

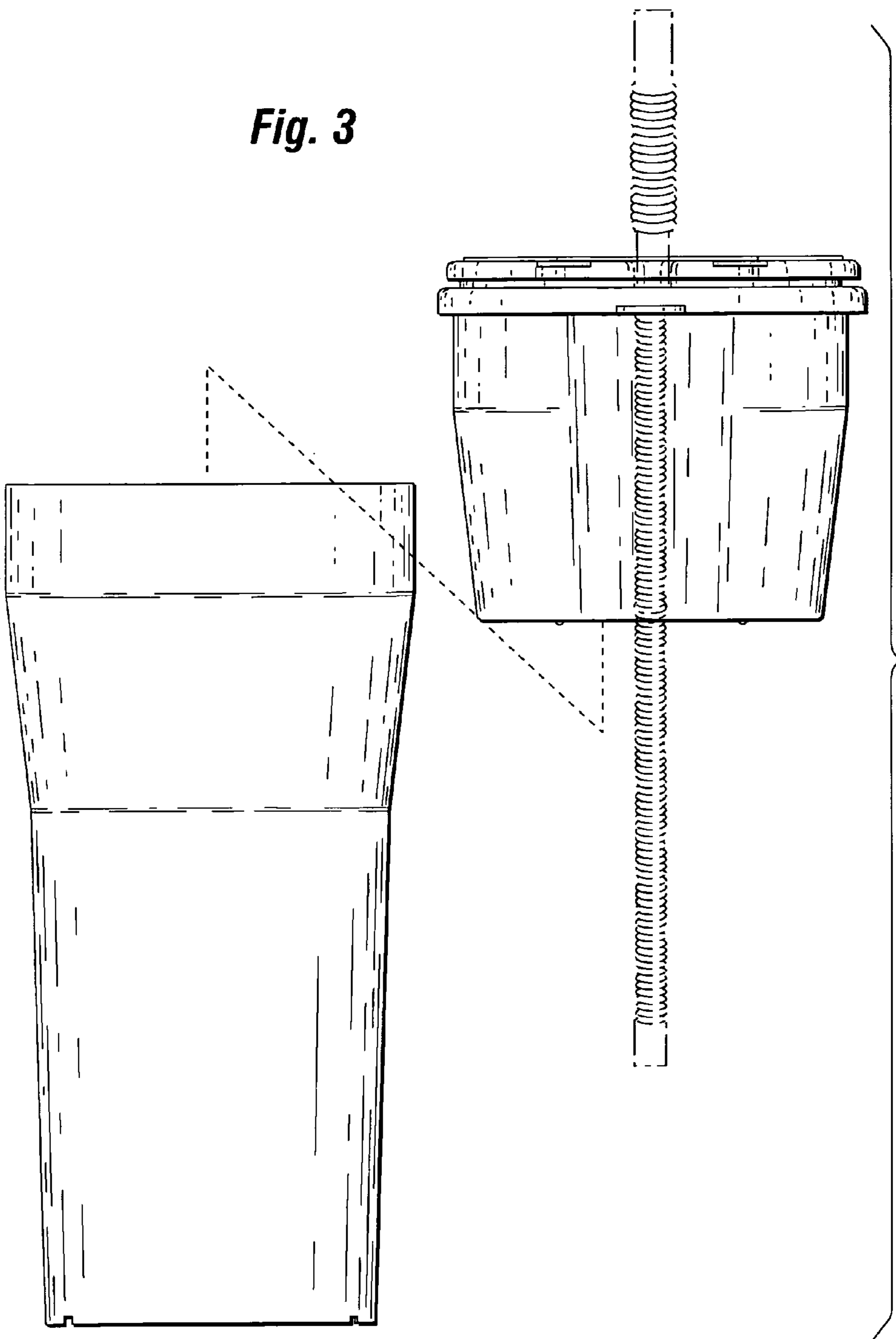


Fig. 4

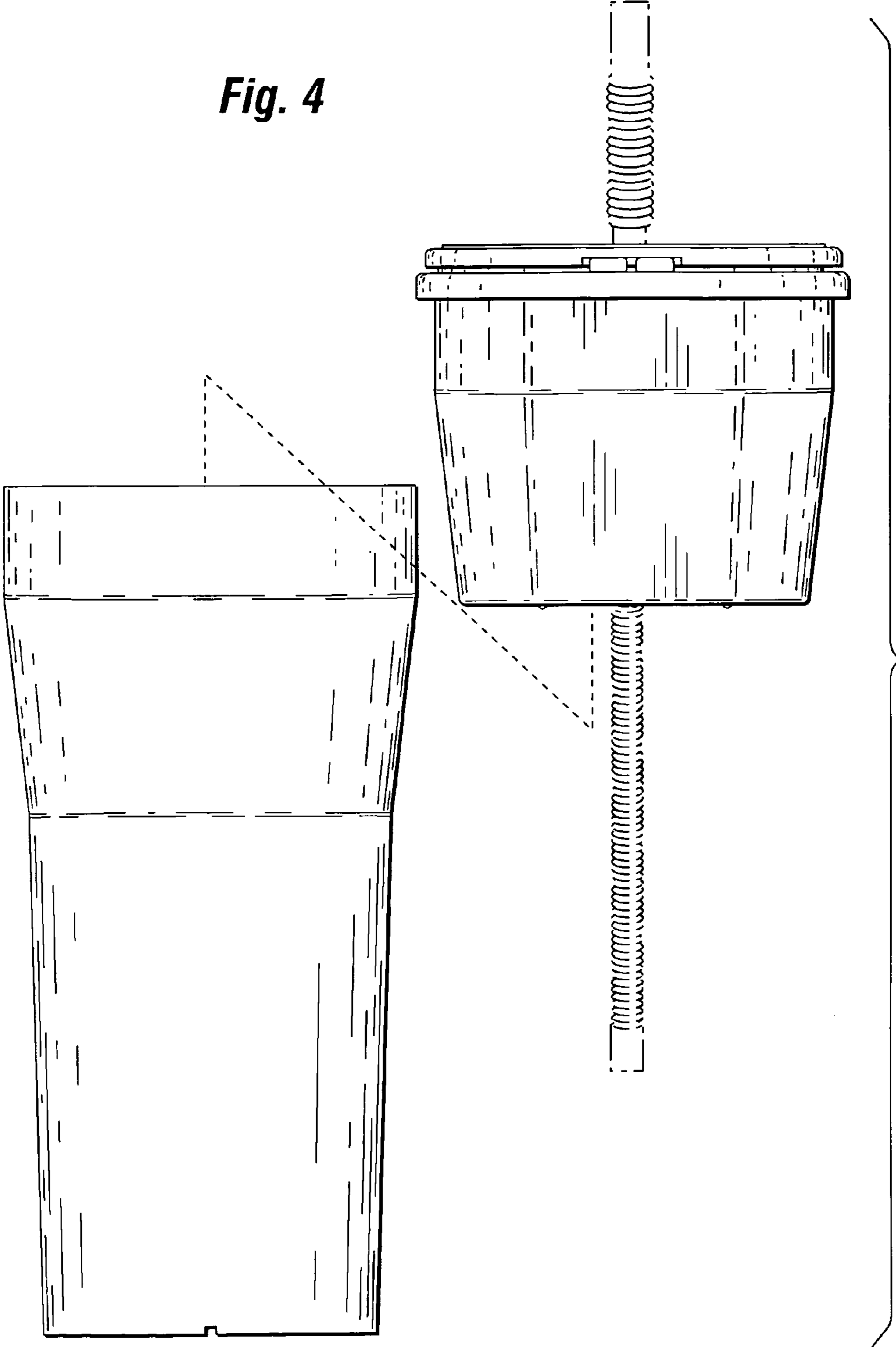


Fig. 5

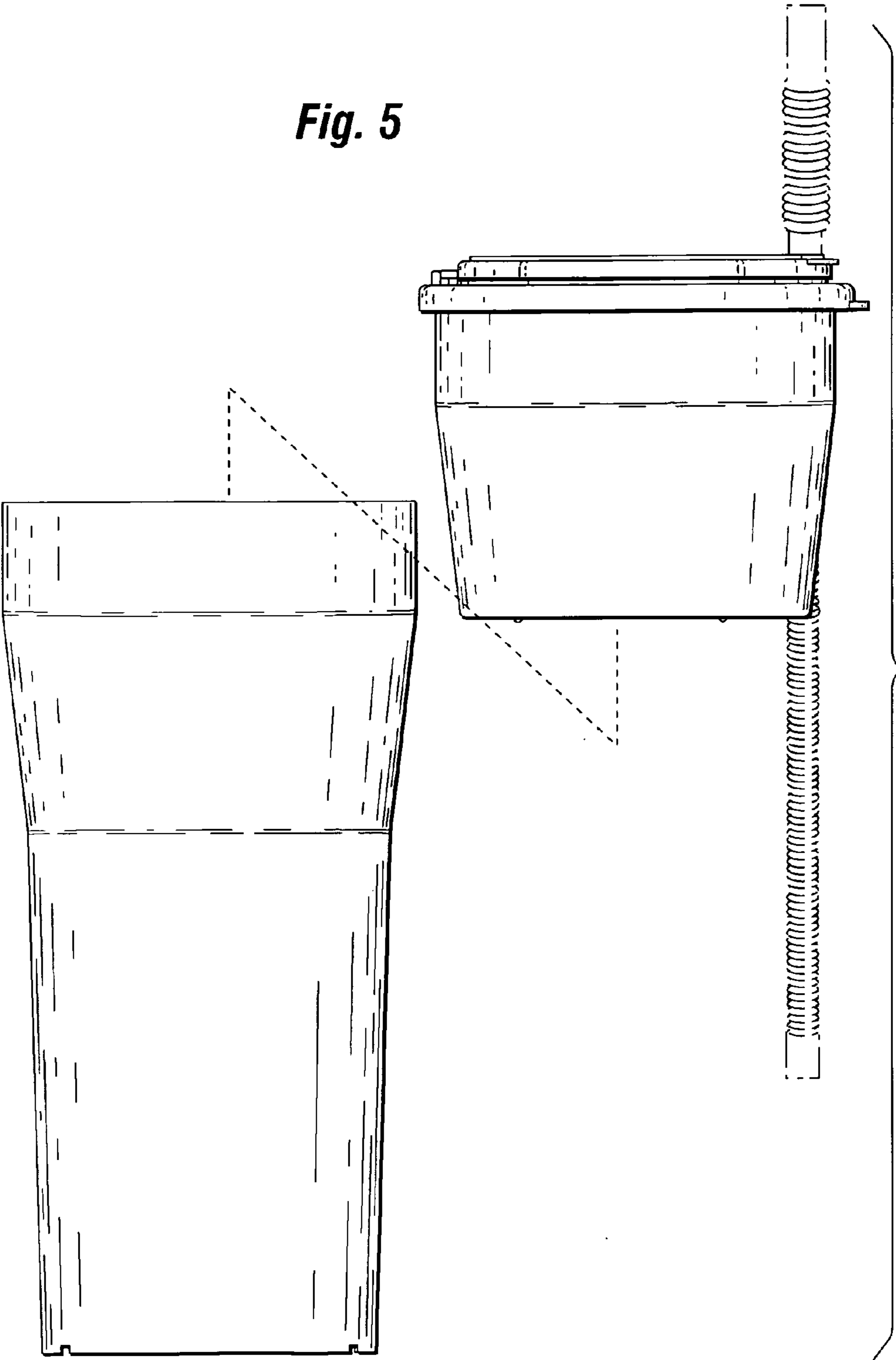


Fig. 6

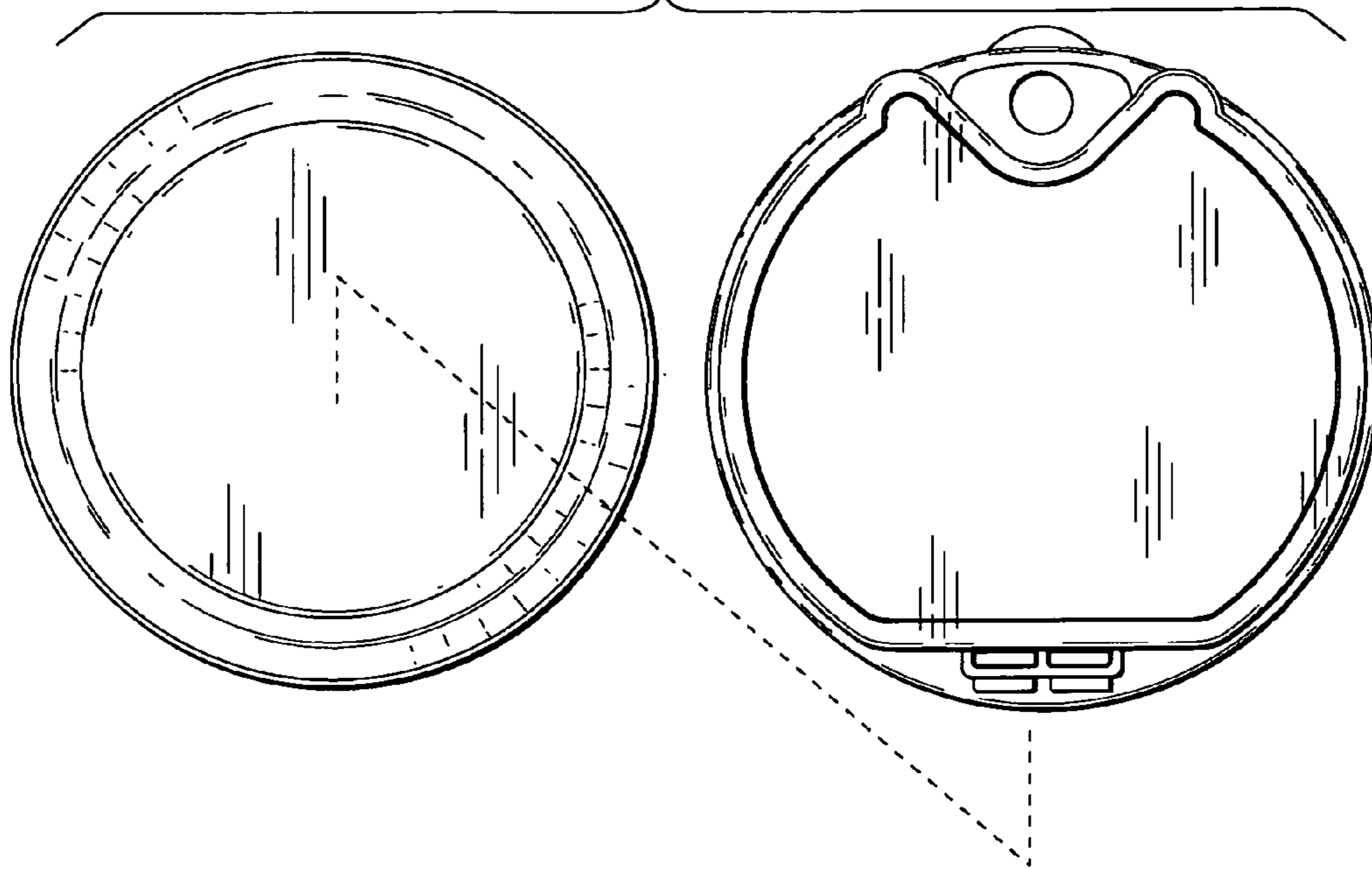


Fig. 7

