



US00D608142S

(12) **United States Design Patent**
Davies et al.

(10) **Patent No.:** **US D608,142 S**
(45) **Date of Patent:** **** Jan. 19, 2010**

(54) **SCREW-TOGETHER COFFEE PRESS**

(76) Inventors: **James Davies**, 37031 Schafer, Polson,
MT (US) 59860; **Michael Boehm**, 11279
Oakcrest Ave., Ojai, CA (US) 93023

(**) Term: **14 Years**

(21) Appl. No.: **29/340,507**

(22) Filed: **Jul. 20, 2009**

Related U.S. Application Data

(63) Continuation-in-part of application No. 29/340,351,
filed on Jul. 16, 2009.

(51) **LOC (9) Cl.** **07-01**

(52) **U.S. Cl.** **D7/399; D7/397**

(58) **Field of Classification Search** D7/300,
D7/310, 397, 400, 396, 399, 395, 319; 99/295,
99/297, 311, 299, 287

See application file for complete search history.

(56) **References Cited**

U.S. PATENT DOCUMENTS

3,307,474 A * 3/1967 Kasher 99/287
3,927,608 A * 12/1975 Doyel 99/297
5,461,968 A * 10/1995 Portman 99/287
5,570,623 A * 11/1996 Lin 99/285
RE37,137 E * 4/2001 Ghidini 366/256

D449,957 S * 11/2001 Yeh D7/319
D460,319 S * 7/2002 Conran D7/397
D557,978 S * 12/2007 Bodum D7/399
D563,713 S * 3/2008 Bodum D7/319
D565,887 S * 4/2008 Bodum D7/319
D573,396 S * 7/2008 Gauss D7/319
D594,267 S * 6/2009 Bodum D7/319

* cited by examiner

Primary Examiner—Marianne Pandozzi

(74) *Attorney, Agent, or Firm*—QuickPatents, Inc.; Kevin Prince

(57) **CLAIM**

We claim the ornamental design for a screw-together coffee press, as shown and described.

DESCRIPTION

FIG. 1 is a perspective view of a screw-together coffee press, showing our new design;

FIG. 2 is a front elevational view thereof; the rear elevational view being a mirror image thereof;

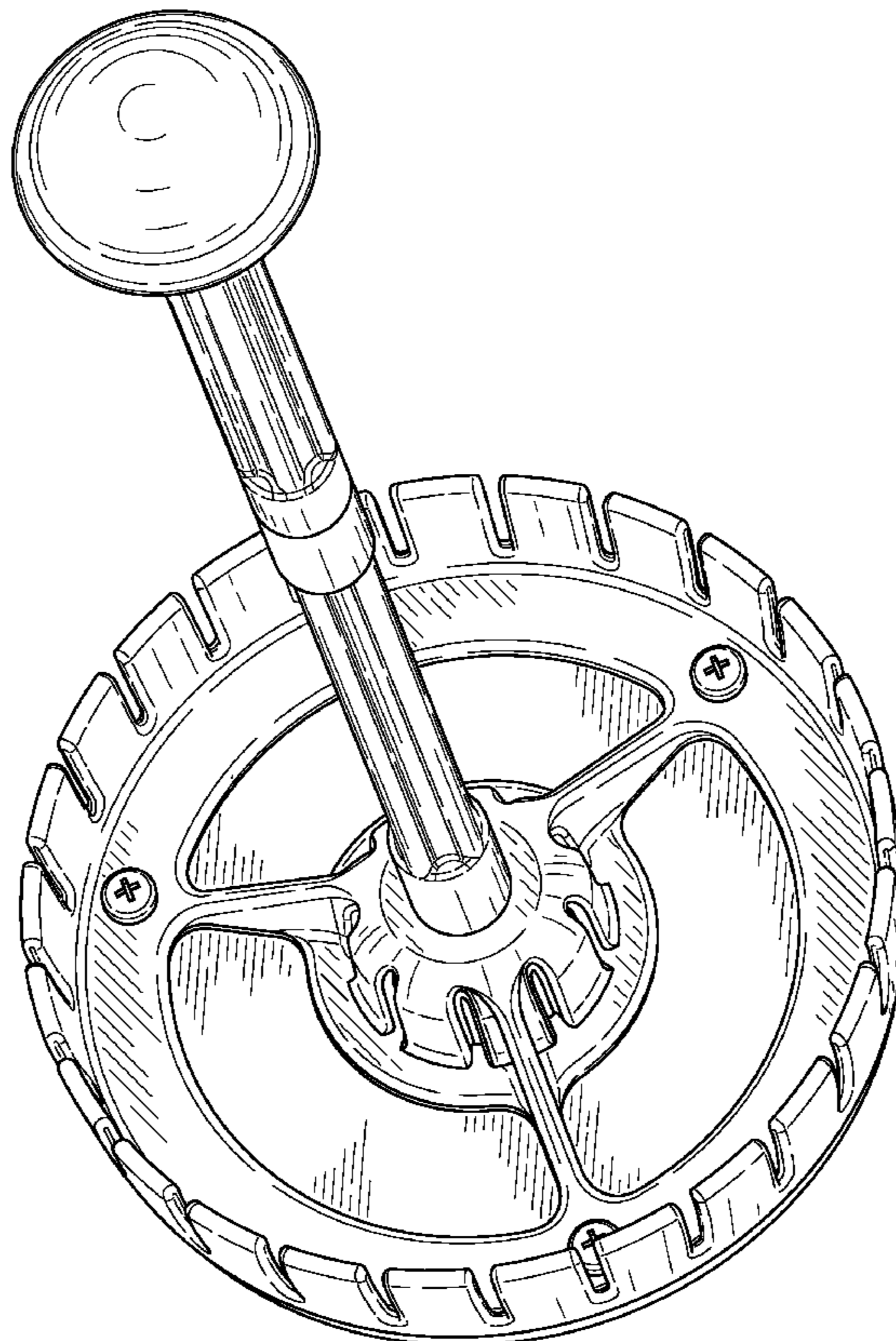
FIG. 3 is a left-side elevational view thereof; the right-side elevational view being a mirror image thereof;

FIG. 4 is a top plan view thereof;

FIG. 5 is a bottom plan view thereof; and,

FIG. 6 is a bottom perspective view thereof.

1 Claim, 5 Drawing Sheets



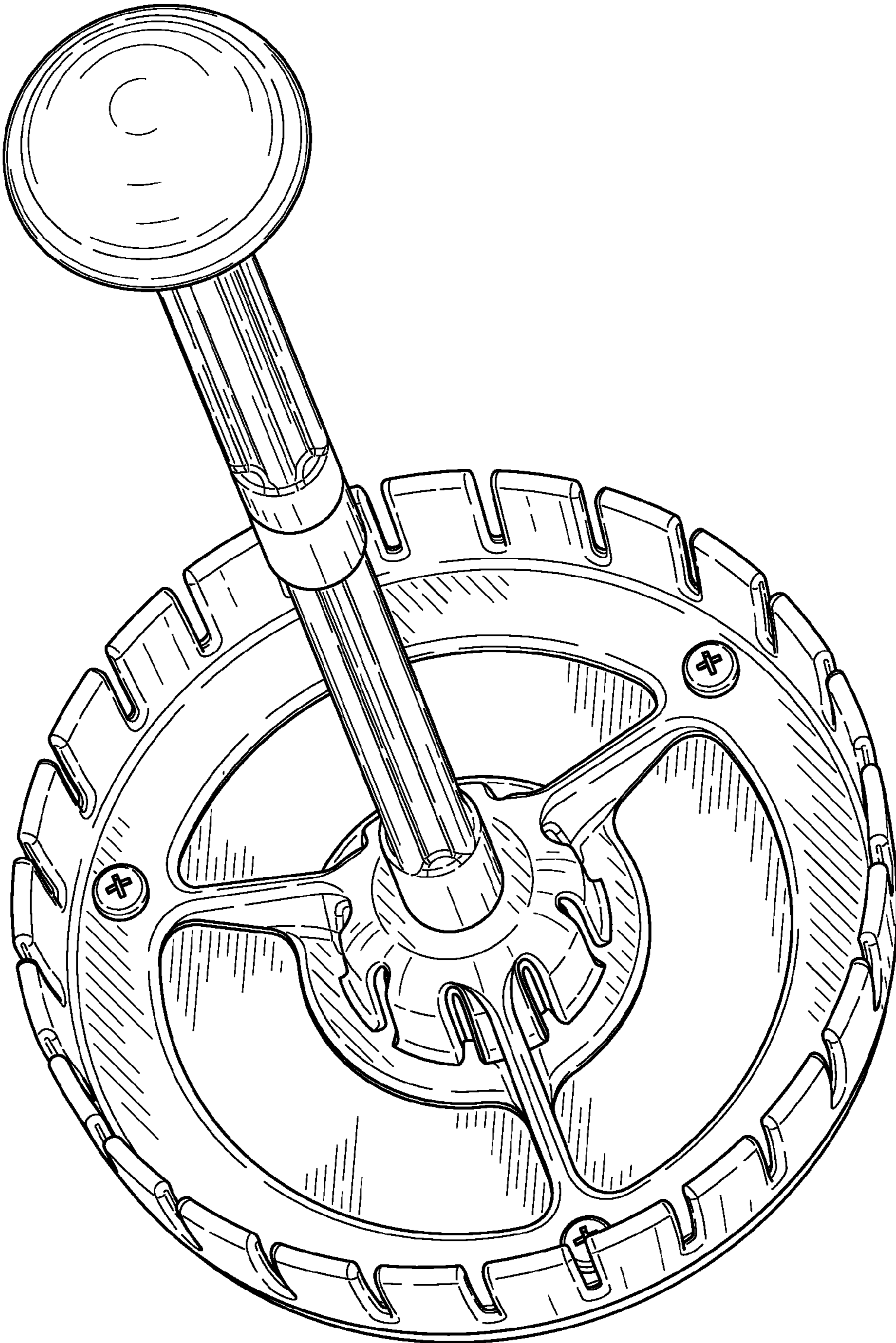


FIG. 1

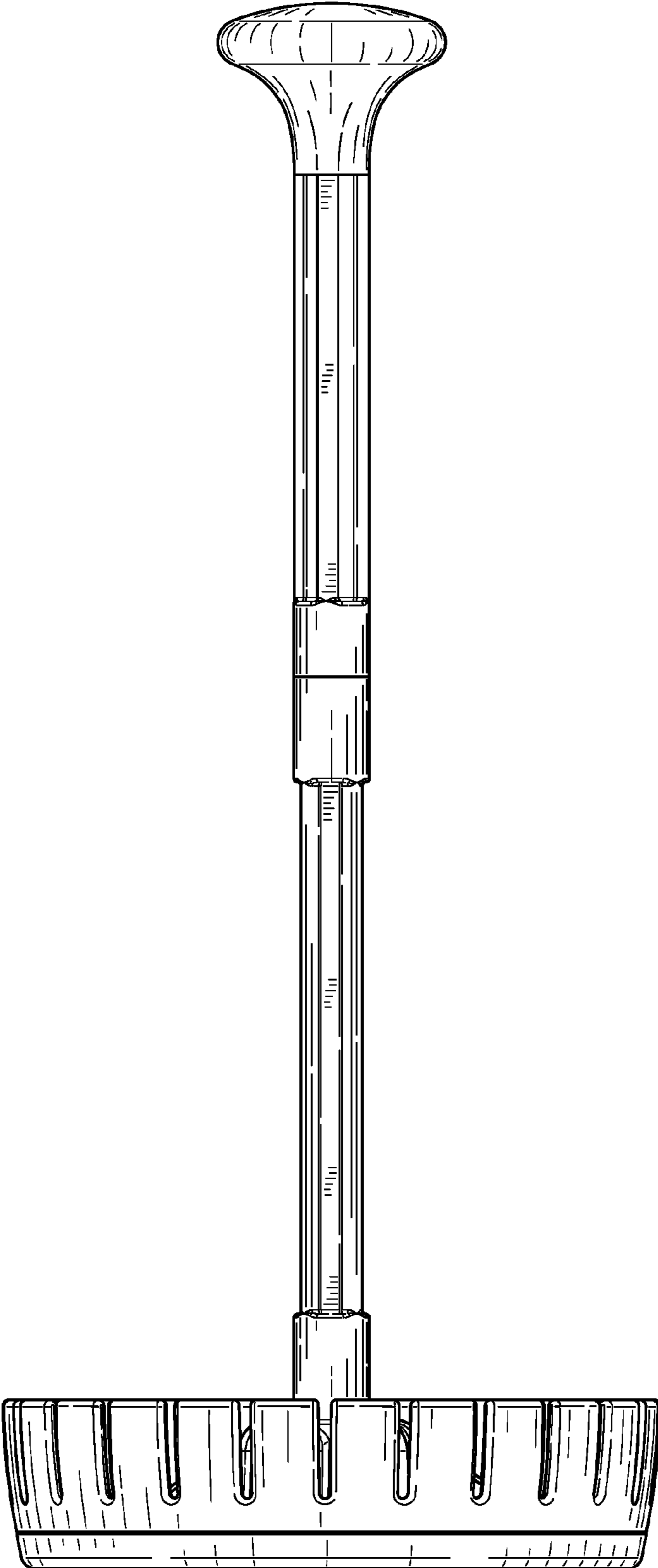


FIG. 2

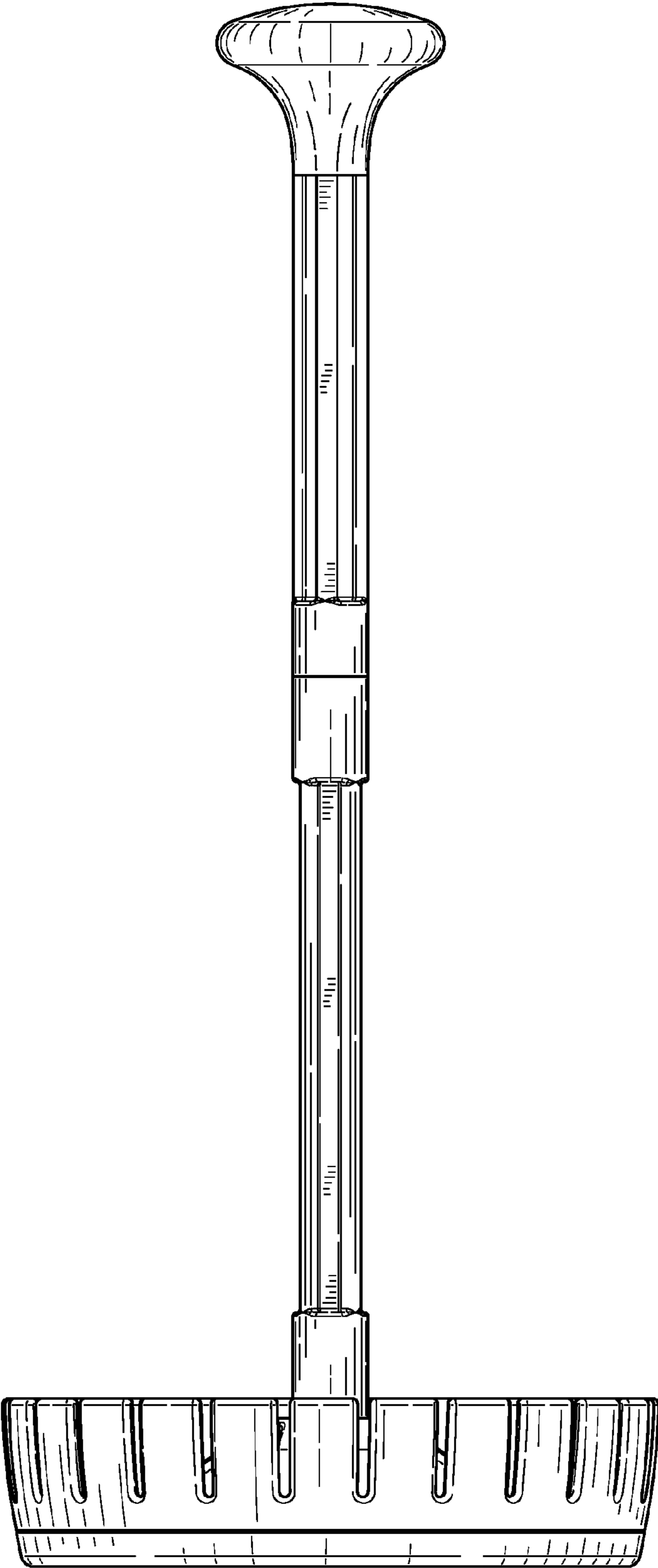


FIG. 3

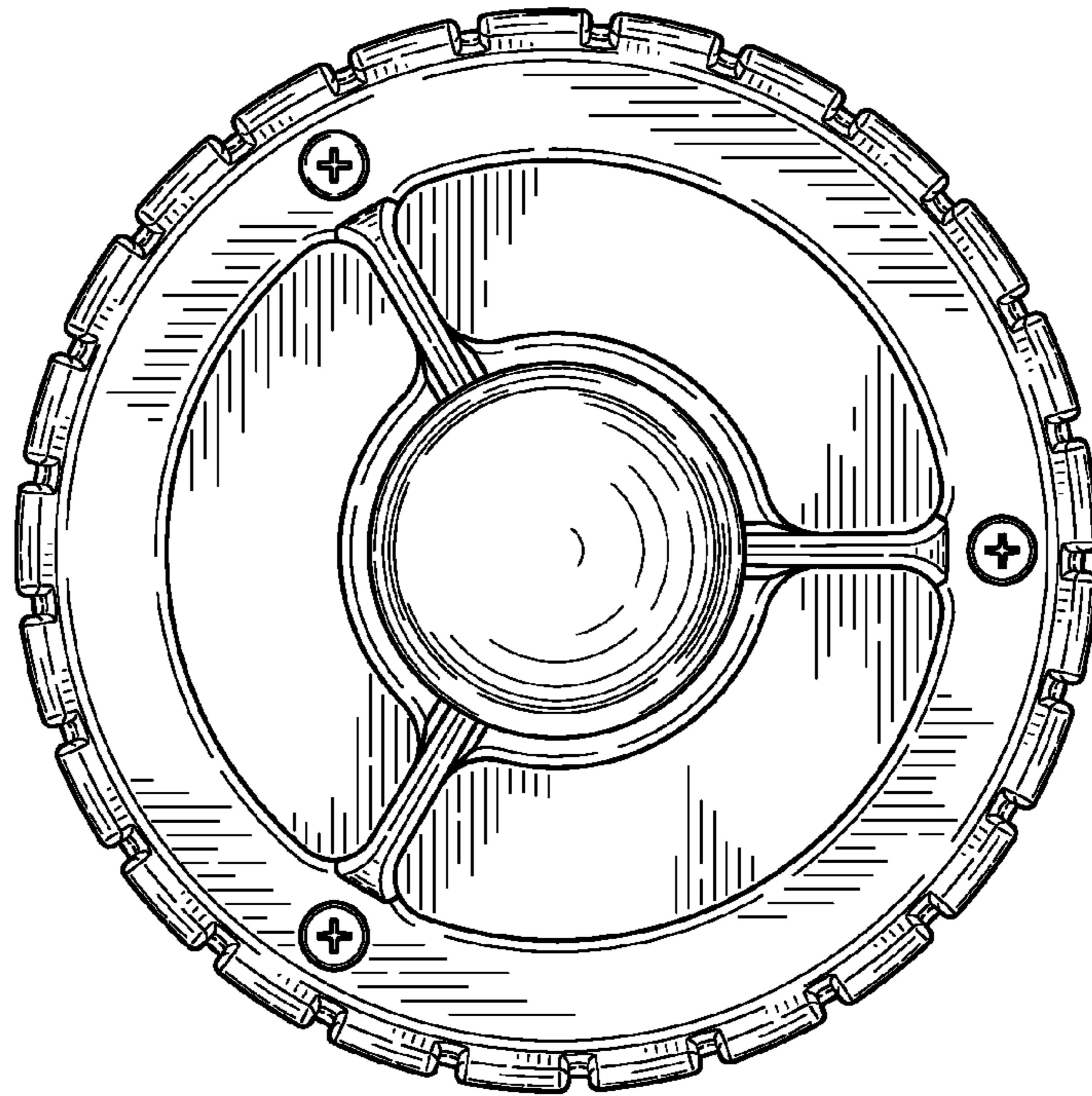


FIG. 4

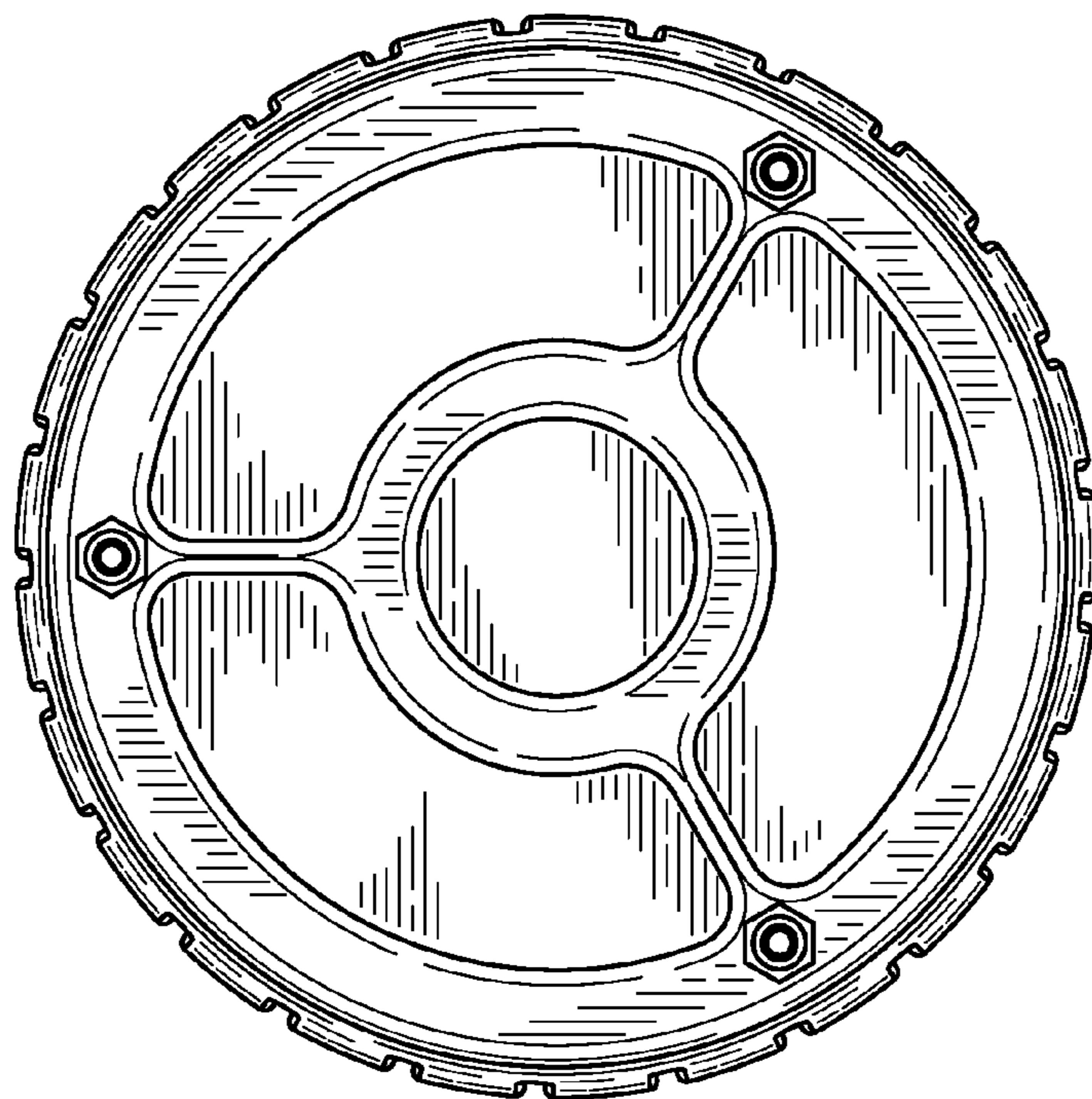


FIG. 5

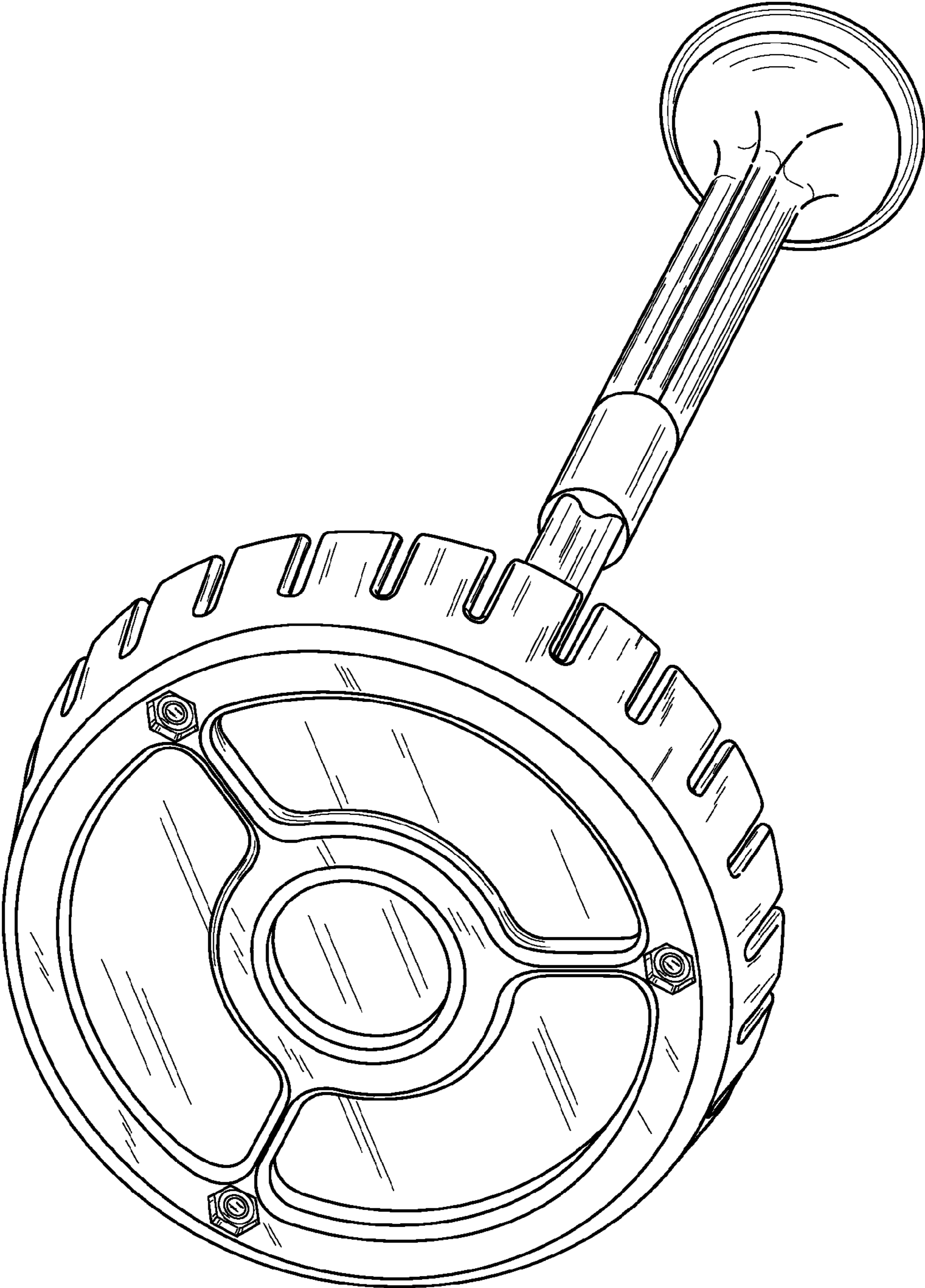


FIG. 6