



US00D608140S

(12) **United States Design Patent**
Gilbert

(10) **Patent No.:** **US D608,140 S**
(45) **Date of Patent:** **** Jan. 19, 2010**

(54) **BEVERAGE CONTAINER**

(75) Inventor: **Tyler Sean Gilbert**, Bellevue, WA (US)

(73) Assignee: **Pacific Market International, LLC**,
Seattle, WA (US)

(**) Term: **14 Years**

(21) Appl. No.: **29/306,458**

(22) Filed: **Apr. 9, 2008**

(51) **LOC (9) Cl.** **07-99**

(52) **U.S. Cl.** **D7/396.2; D7/392.1; D7/536;**
D7/510

(58) **Field of Classification Search** **D7/507-536,**
D7/396.2, 392.1, 900; 220/592.16, 703,
220/715, 737, 254.3; 215/315; 206/520;
D9/438, 445, 449, 450, 454

See application file for complete search history.

(56) **References Cited**

U.S. PATENT DOCUMENTS

D263,916 S *	4/1982	Reece	D7/510
D275,655 S *	9/1984	Bainton	D9/438
D295,831 S *	5/1988	Urion	D9/438
5,249,703 A *	10/1993	Karp	220/719
5,270,909 A	12/1993	Weiss et al.		
D356,499 S *	3/1995	Cautereels et al.	D9/449
D363,222 S *	10/1995	Lay	D9/447
6,065,609 A *	5/2000	Lake	210/474
D465,132 S *	11/2002	Janky et al.	D7/510
D486,997 S *	2/2004	Janky	D7/531

D516,425 S *	3/2006	Haffner et al.	D9/449
D562,072 S *	2/2008	Wahl	D7/510
D571,613 S *	6/2008	Gilbert et al.	D7/533
D572,531 S *	7/2008	Romandy et al.	D7/510
D587,967 S *	3/2009	Wahl	D7/510
D595,089 S *	6/2009	Wahl	D7/510

OTHER PUBLICATIONS

U.S. Appl. No. 29/306,460, filed Apr. 9, 2008, Gilbert.

* cited by examiner

Primary Examiner—Marianne Pandozzi

(74) *Attorney, Agent, or Firm*—Davis Wright Tremaine LLP;
George C. Rondeau, Jr.

(57) **CLAIM**

The ornamental design for a beverage container, as shown and described.

DESCRIPTION

FIG. 1 is a top right side perspective view of a third embodiment thereof;

FIG. 2 a front elevational view thereof;

FIG. 3 is a rear elevational view thereof;

FIG. 4 is a right side elevational view thereof;

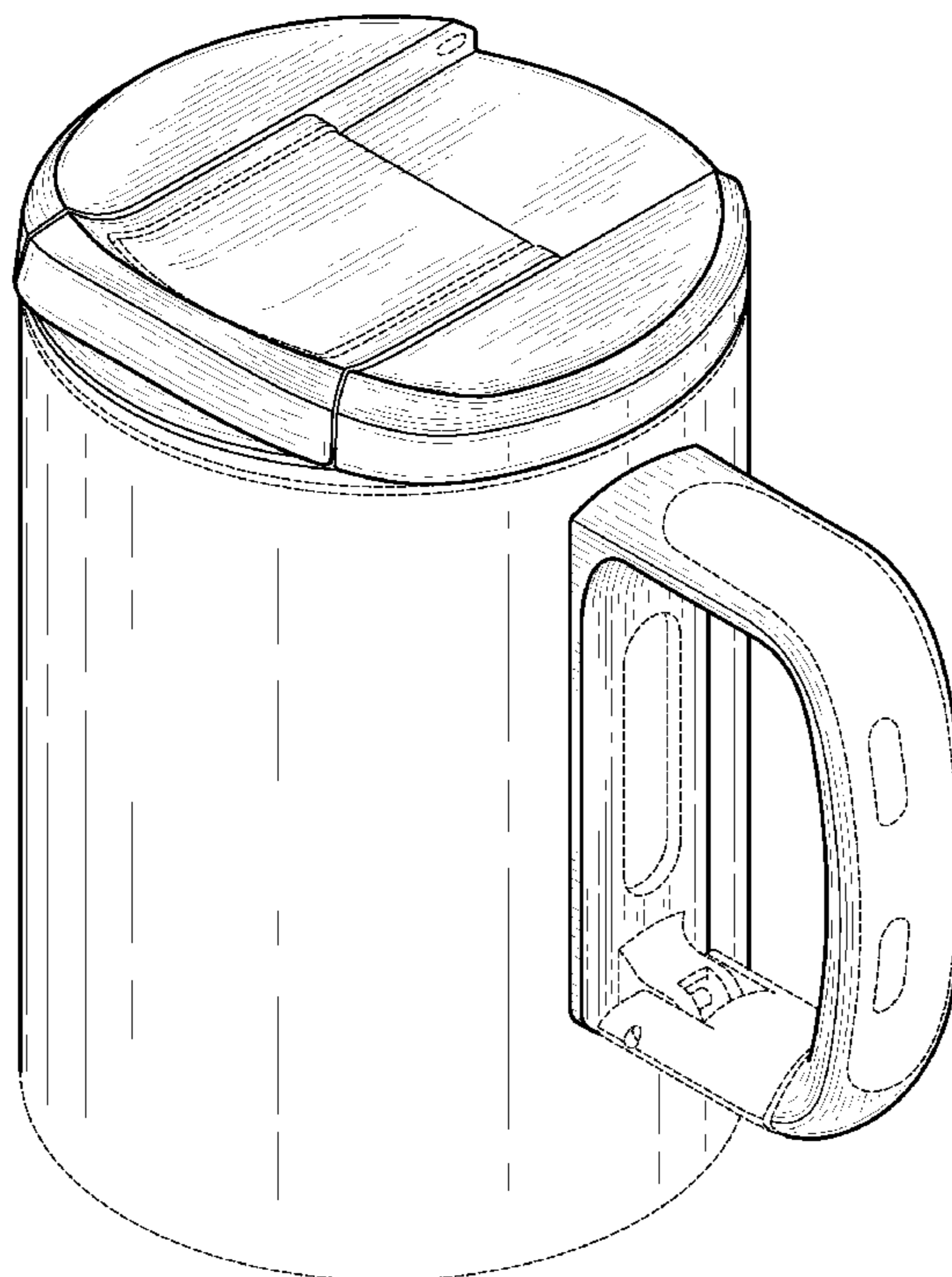
FIG. 5 is a left side elevational view thereof;

FIG. 6 is a top plan view thereof; and,

FIG. 7 is a bottom plan view thereof.

The broken lines are for illustrative purposes only and form no part of the claimed design.

1 Claim, 6 Drawing Sheets



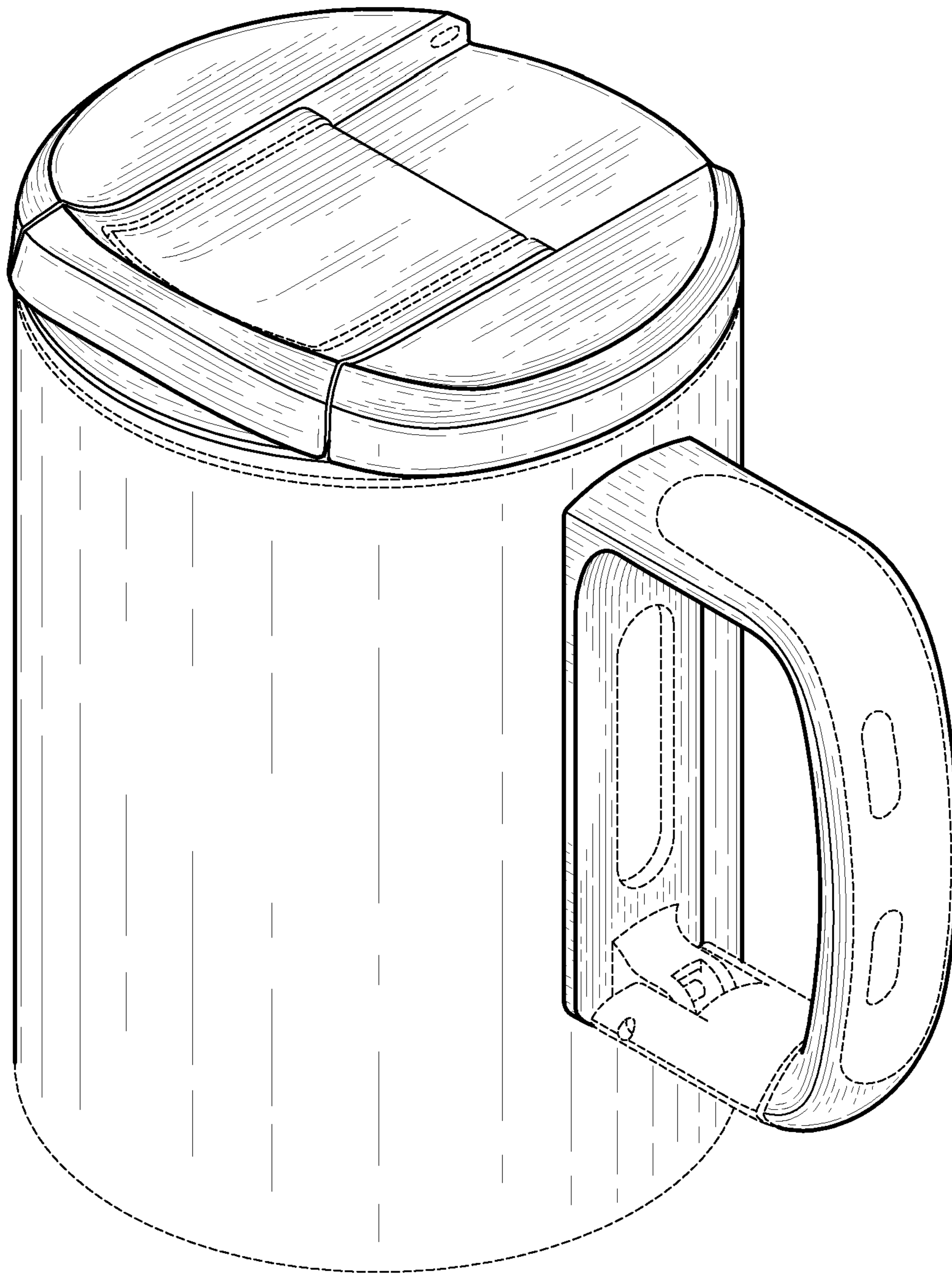


Fig. 1

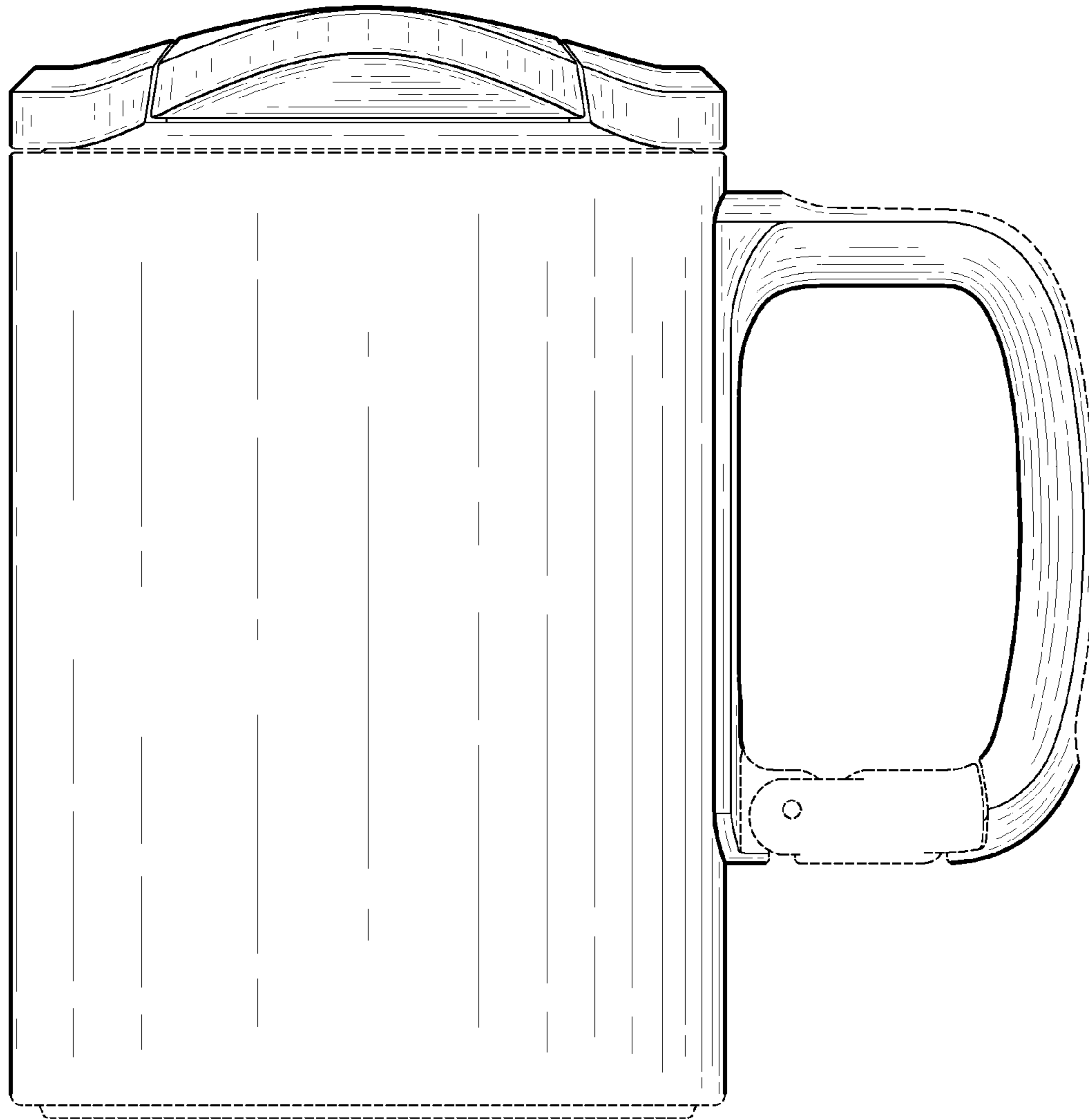


Fig. 2

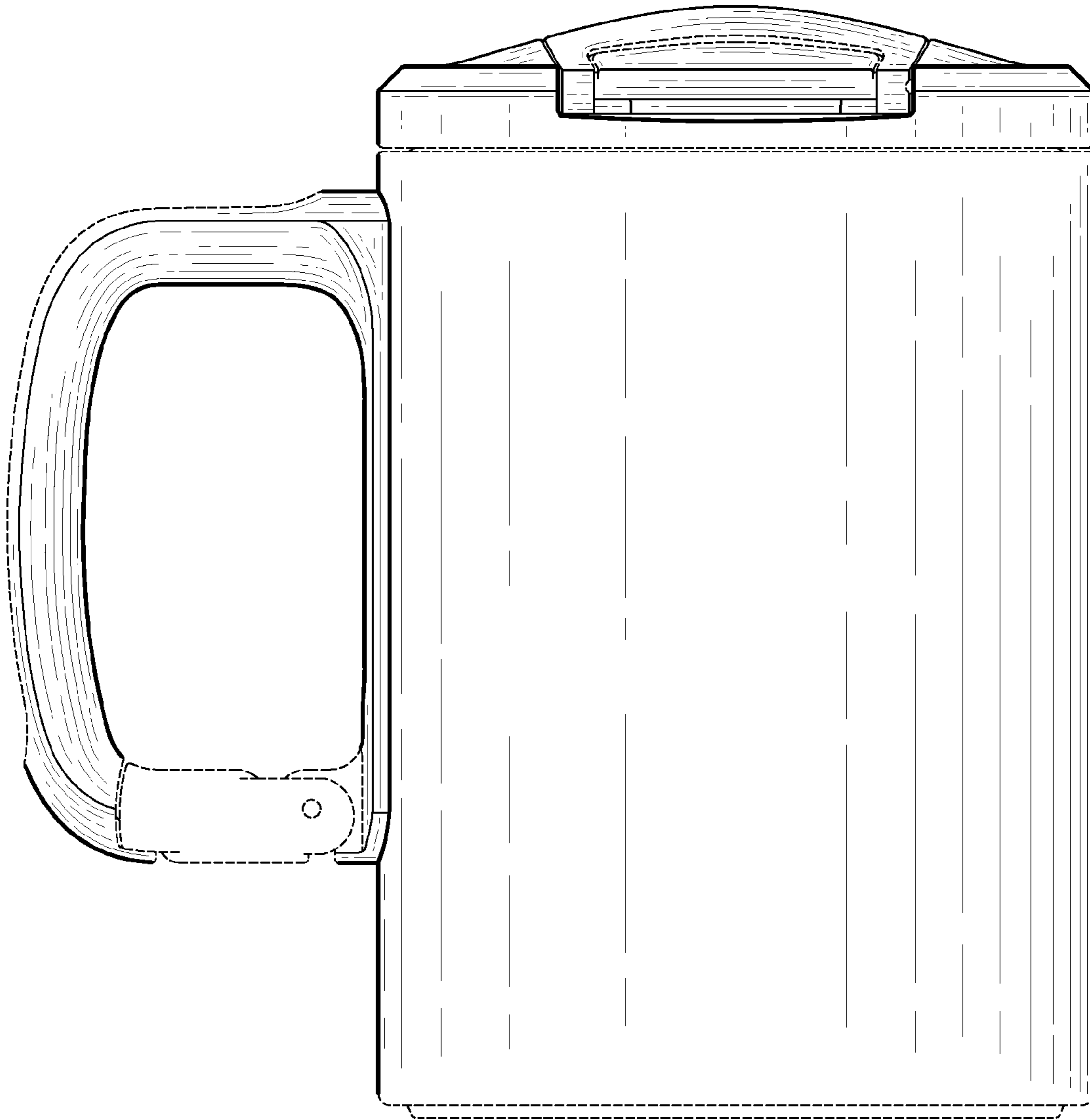


Fig. 3

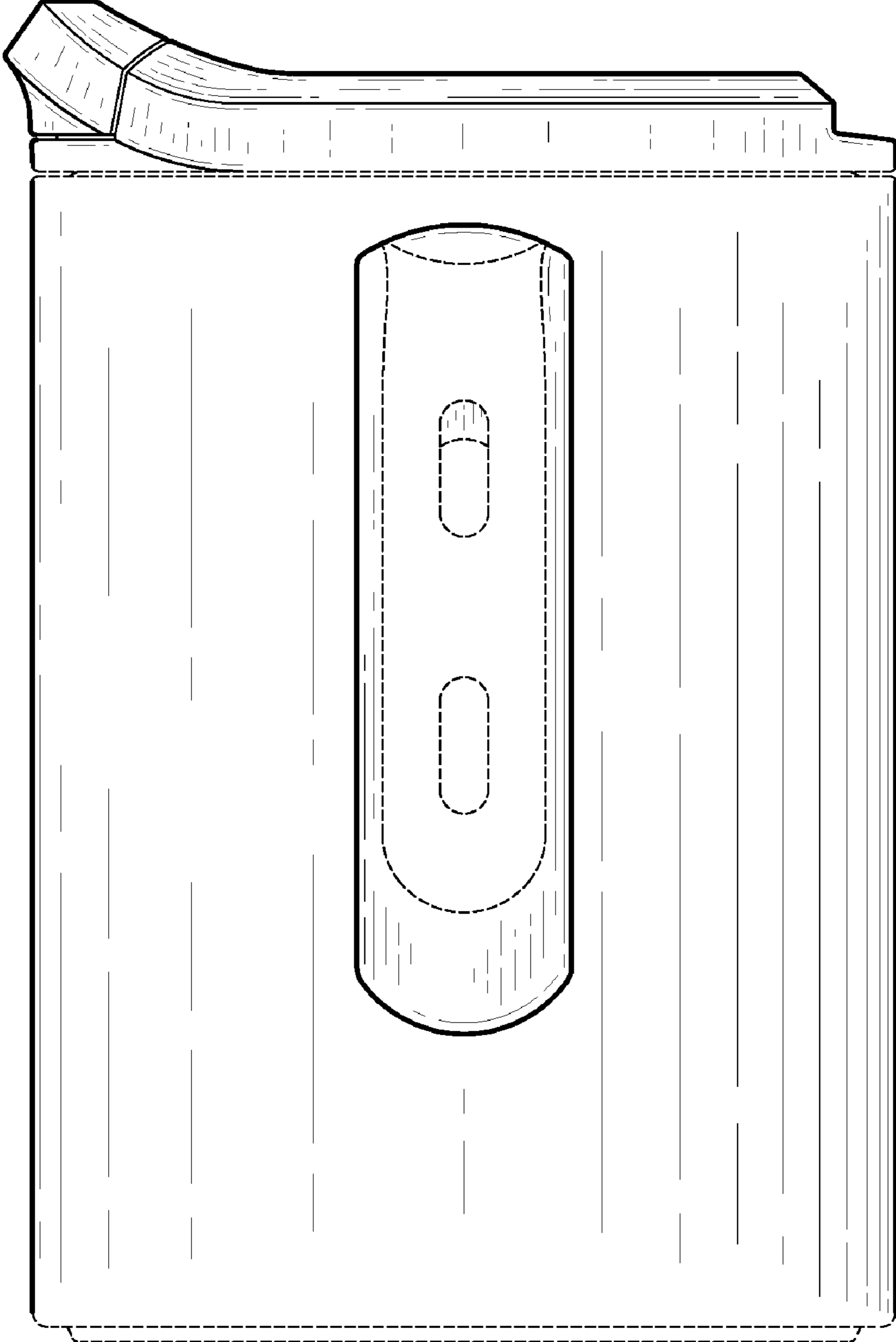


Fig. 4

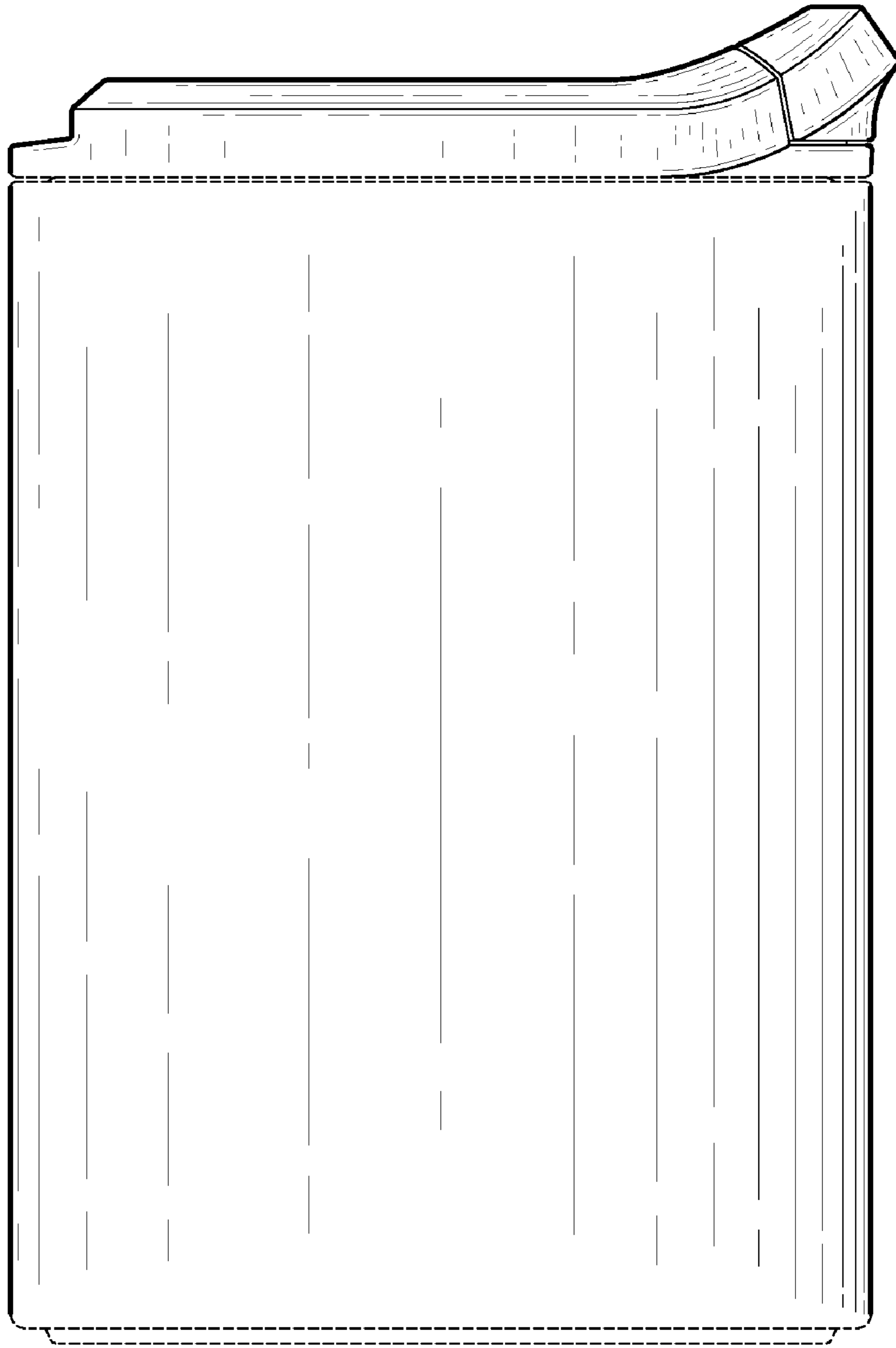


Fig. 5

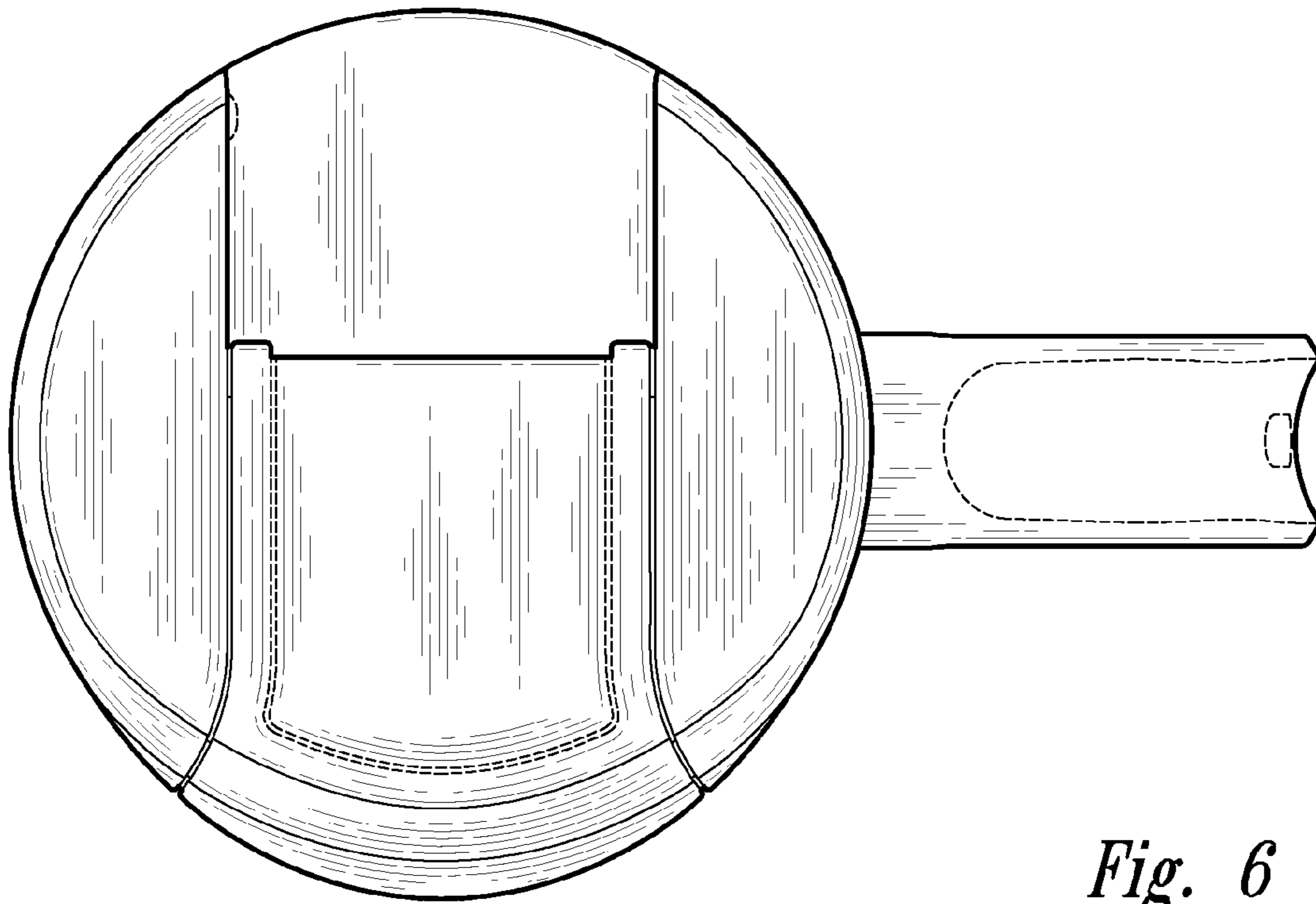


Fig. 6

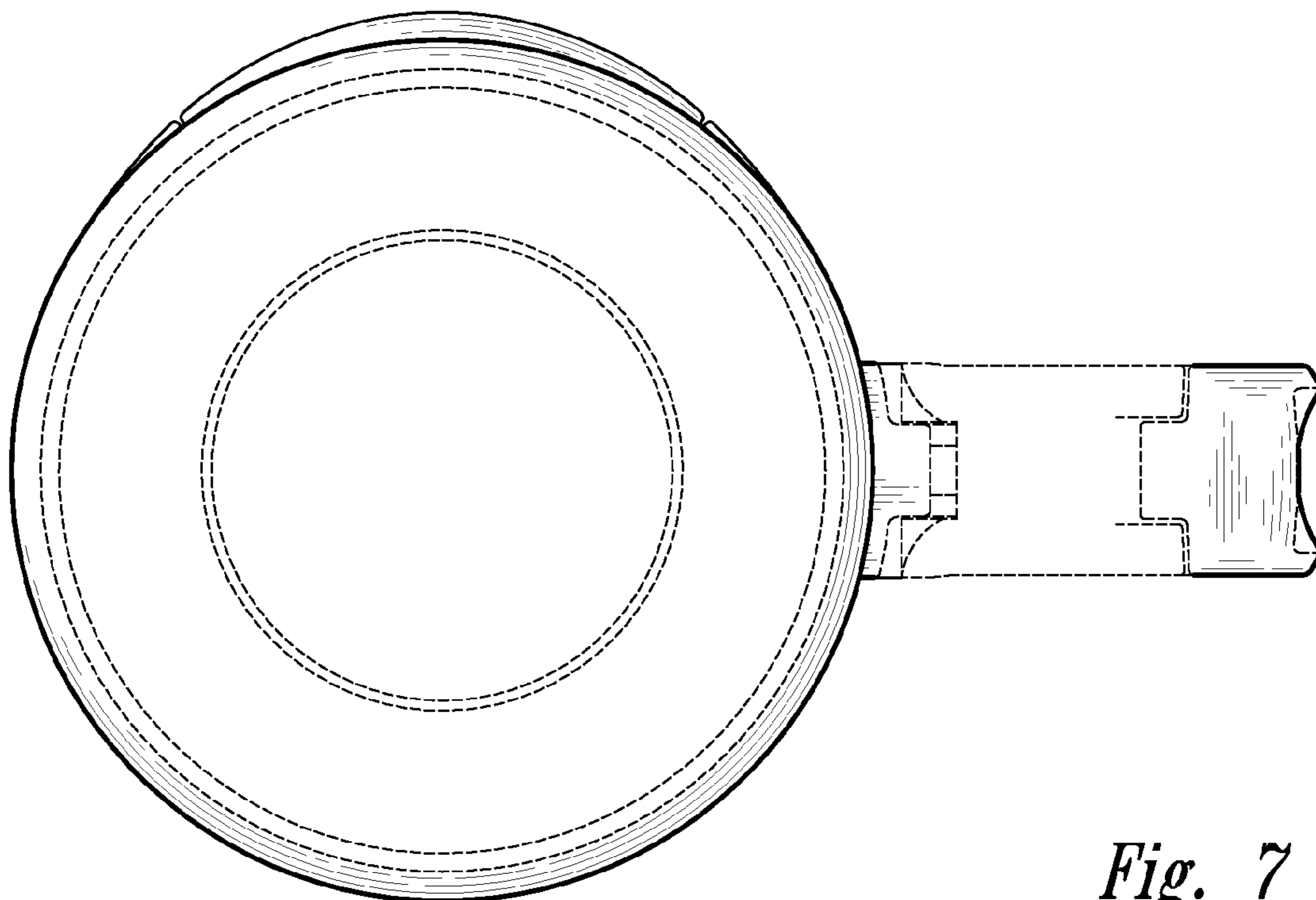


Fig. 7