



US00D608139S

(12) **United States Design Patent**
Rae

(10) **Patent No.:** **US D608,139 S**

(45) **Date of Patent:** **** Jan. 19, 2010**

(54) **TUBULAR COOKWARE HANDLE**
(75) Inventor: **Robert A. Rae**, Las Vegas, NV (US)
(73) Assignee: **Meyer Intellectual Properties Limited**,
British (VG)

(**) Term: **14 Years**

(21) Appl. No.: **29/315,277**

(22) Filed: **Jun. 9, 2009**

(51) **LOC (9) Cl.** **07-02**

(52) **U.S. Cl.** **D7/395**

(58) **Field of Classification Search** D7/354–361,
D7/393–395; D8/107, 300, 303, 307; D4/138,
D4/129; 16/421, 430, 431, 110.1, 407; 220/573.1–573.5,
220/752, 753, 755, 756, 759, 771, 912
See application file for complete search history.

(56) **References Cited**

U.S. PATENT DOCUMENTS

D429,950 S *	8/2000	Yu et al.	D7/395
D440,463 S *	4/2001	Groll	D7/395
6,419,107 B1 *	7/2002	Cheng	220/573.1
D482,567 S *	11/2003	Demers	D7/395
D494,412 S *	8/2004	Prakasa	D7/395
D511,068 S *	11/2005	Coppi	D7/395
D512,602 S *	12/2005	Spagnolo	D7/395
D557,065 S *	12/2007	Levy et al.	D7/395

D560,427 S *	1/2008	Prakasa	D7/395
D577,541 S *	9/2008	Giannone	D7/393
D580,703 S *	11/2008	Devries	D7/393
D580,704 S *	11/2008	Robson	D7/393
D582,208 S *	12/2008	Robson	D7/395

* cited by examiner

Primary Examiner—Philip S Hyder

Assistant Examiner—Cynthia M Chin

(74) *Attorney, Agent, or Firm*—Edward S. Sherman

(57) **CLAIM**

The ornamental design for a “tubular cookware handle”, as shown and described.

DESCRIPTION

FIG. 1 is a perspective front view from above of the “tubular cookware handle”, showing my new design;

FIG. 2 is top plan view thereof;

FIG. 3 is a front elevation view thereof;

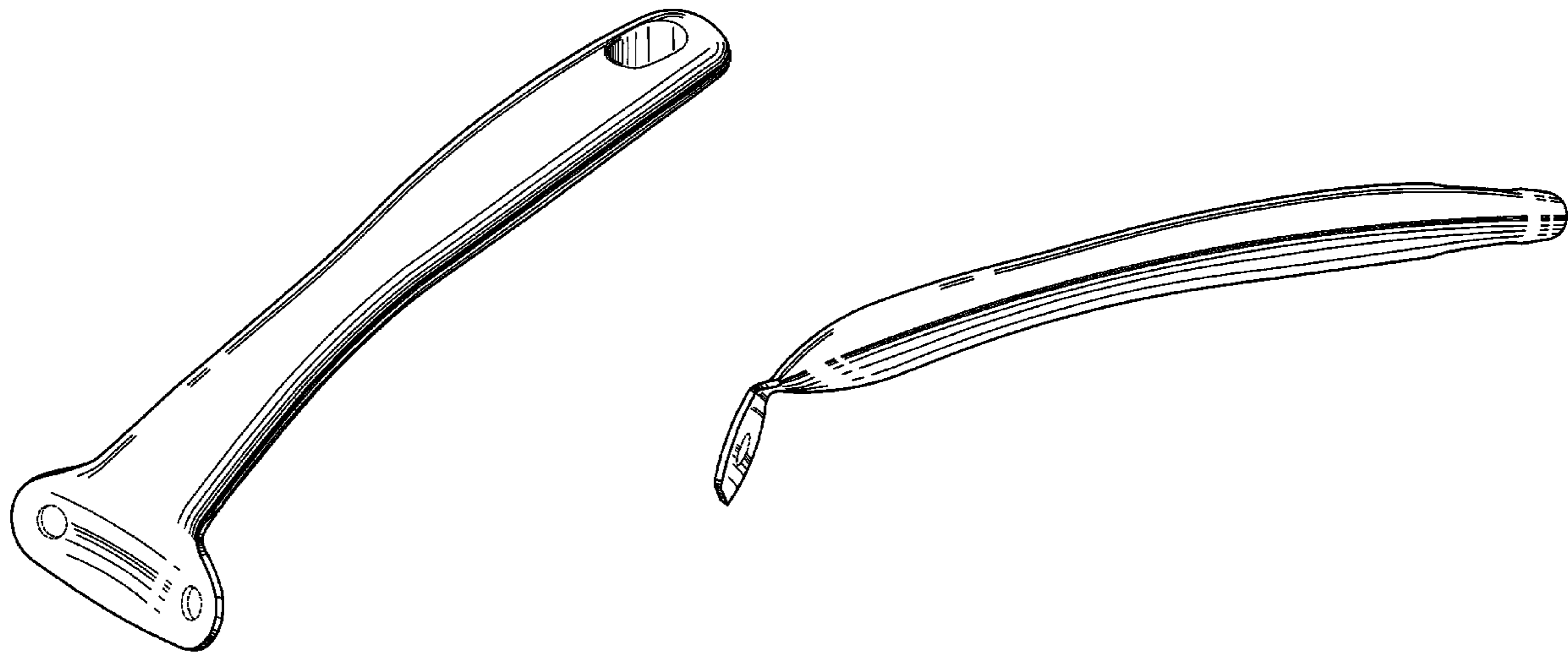
FIG. 4 is a side elevation view thereof;

FIG. 5 is a bottom plan view thereof; and,

FIG. 6 is a back elevation view.

The broken lines in FIGS. 1–6 are for illustrative purposes only, depicting the environment of the new design, forming no part thereof as claimed.

1 Claim, 3 Drawing Sheets



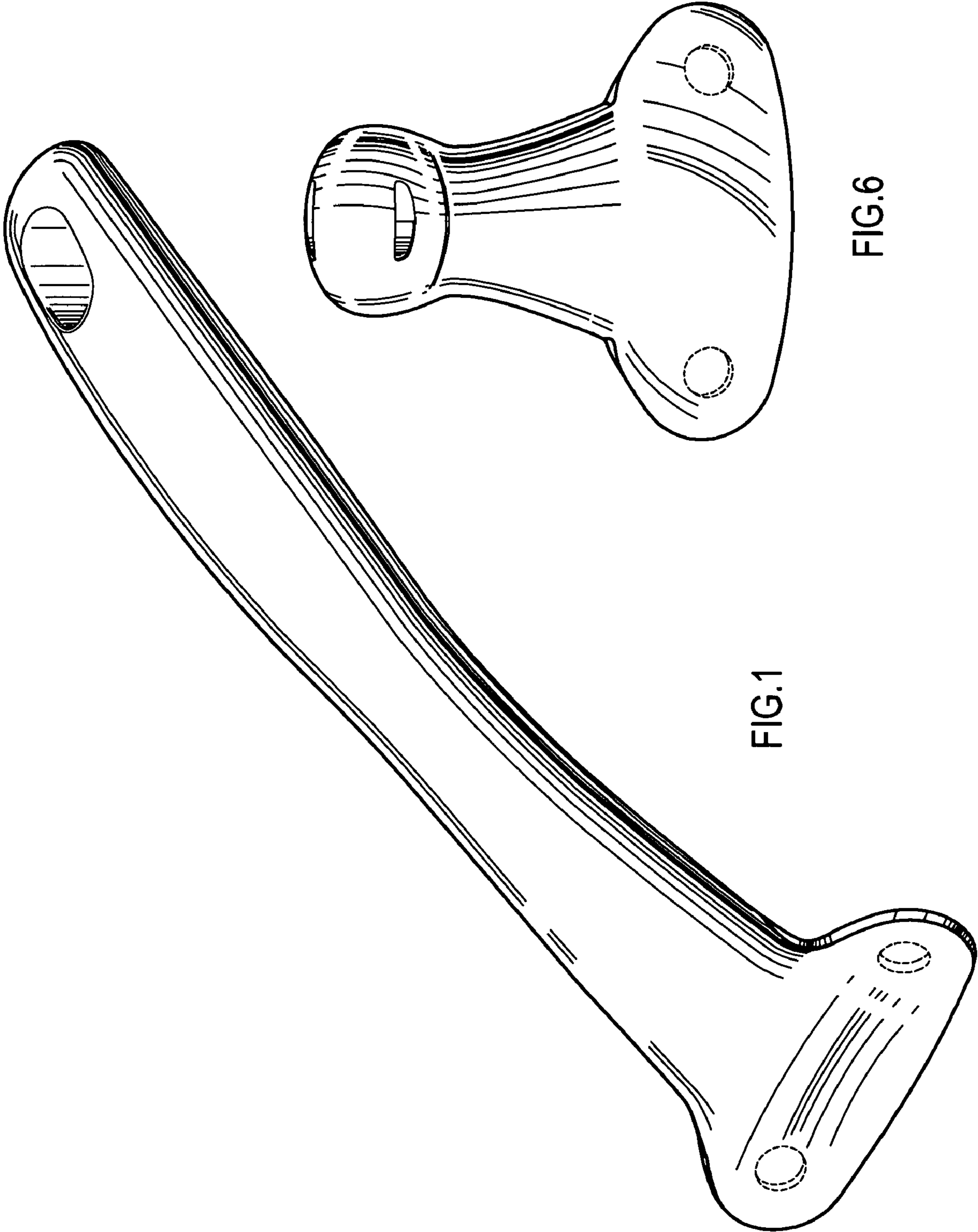


FIG.1

FIG.6

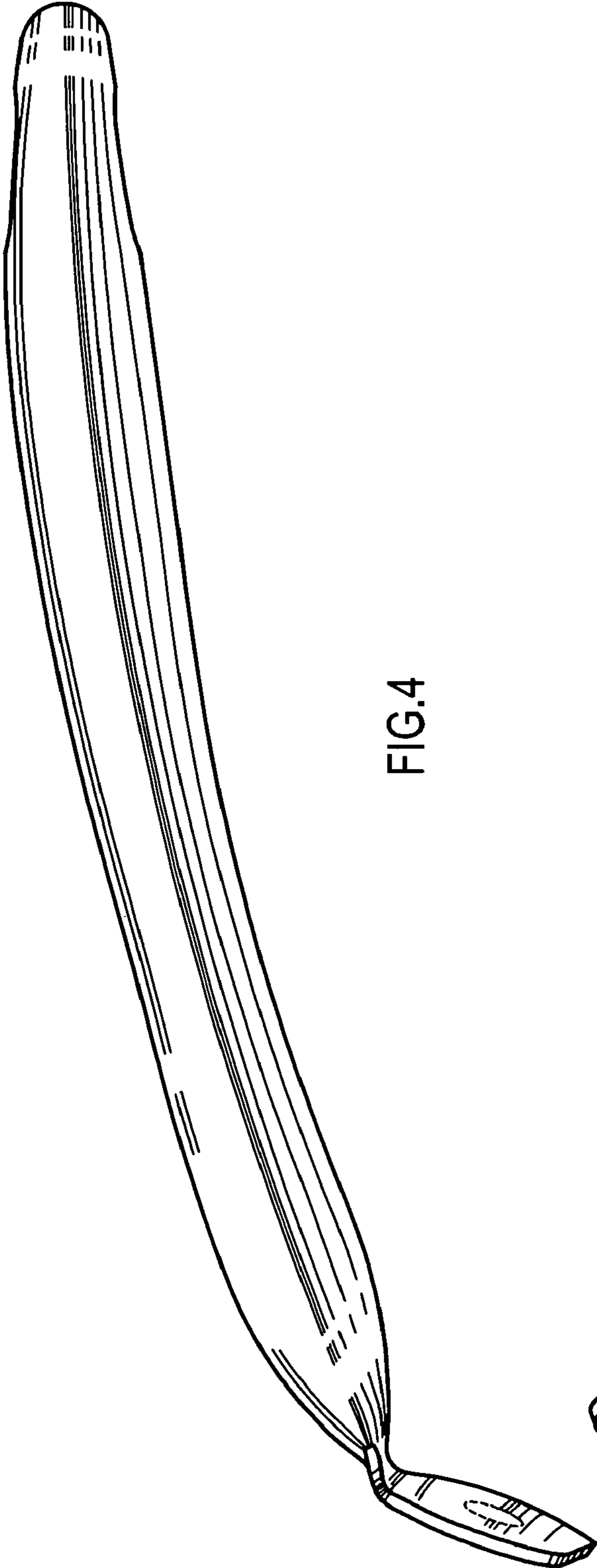


FIG. 4

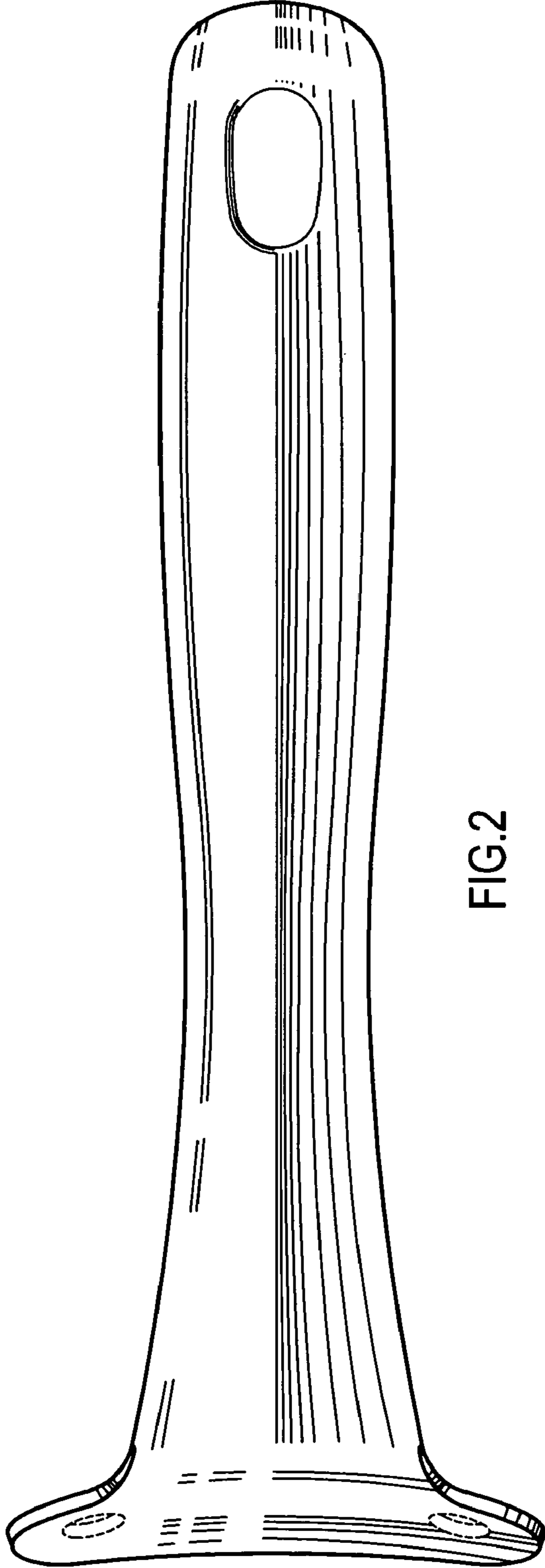


FIG. 2

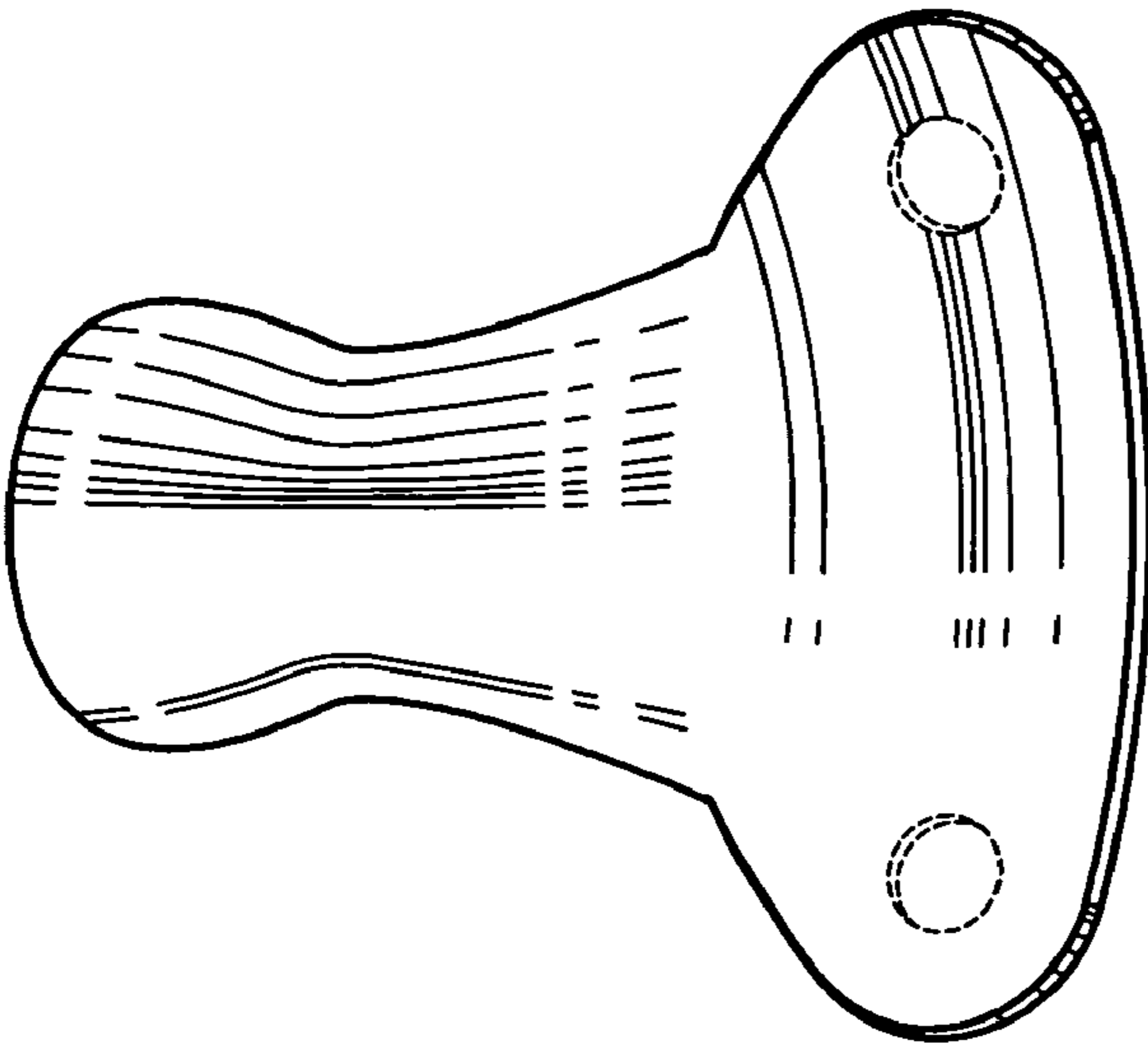


FIG.3

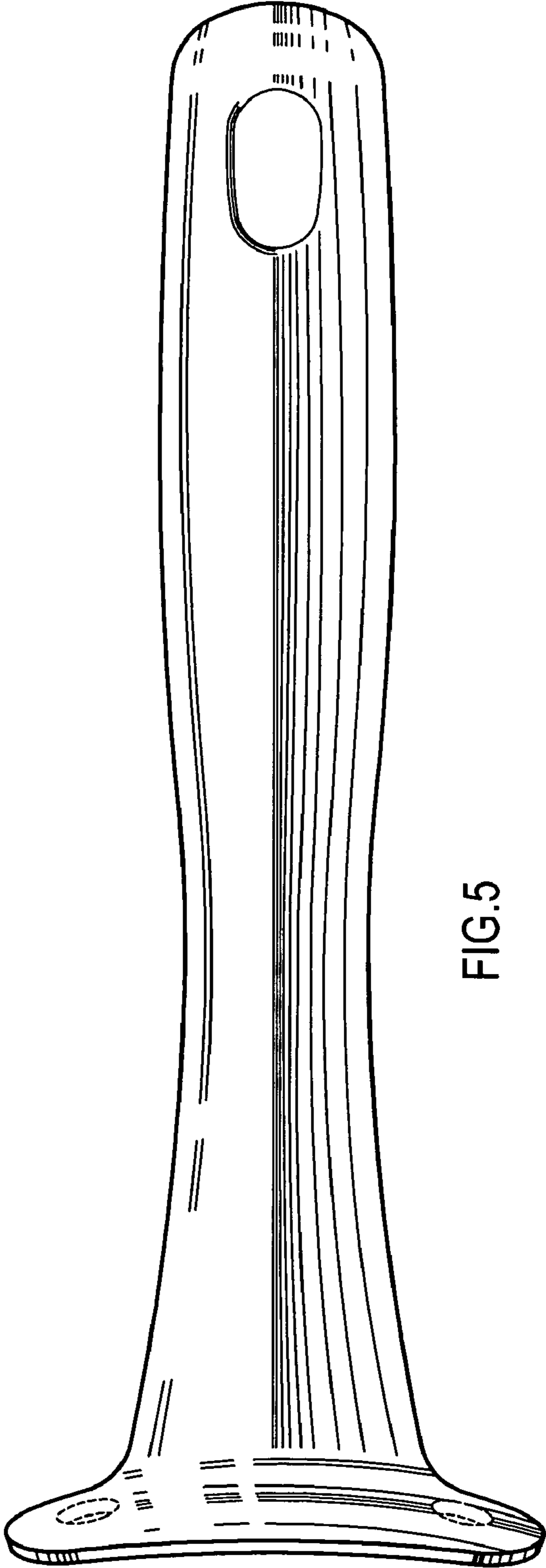


FIG.5