



US00D608135S

(12) **United States Design Patent**
Siow et al.

(10) **Patent No.:** **US D608,135 S**
(45) **Date of Patent:** **** Jan. 19, 2010**

(54) **OUTDOOR GRILL**

(75) Inventors: **Alex Siow**, Berkeley, CA (US); **Robert Brunner**, San Francisco, CA (US)

(73) Assignee: **Fuego North America LLC**, San Francisco, CA (US)

(**) Term: **14 Years**

(21) Appl. No.: **29/332,397**

(22) Filed: **Feb. 13, 2009**

(51) **LOC (9) Cl.** **07-02**

(52) **U.S. Cl.** **D7/335**

(58) **Field of Classification Search** D7/332,
D7/334-337, 402-406; 126/25 R, 9 R, 37 R,
126/41 R, 40, 42, 50, 9 A, 299 C, 98, 201,
126/43-44, 48, 38

See application file for complete search history.

(56) **References Cited**

U.S. PATENT DOCUMENTS

D284,443 S * 7/1986 Parlour D7/334
D438,750 S * 3/2001 Mashburn et al. D7/335
6,253,760 B1 * 7/2001 Mashburn et al. 126/41 R

D468,150 S * 1/2003 Schroeter et al. D7/335
D560,954 S * 2/2008 Pai D7/335
D567,011 S * 4/2008 DeMars D7/335
D574,177 S * 8/2008 Hulsey D7/335
D583,185 S * 12/2008 Rutter et al. D7/334
2008/0000468 A1 * 1/2008 Pai 126/25 R

* cited by examiner

Primary Examiner—Ruth McInroy

(74) *Attorney, Agent, or Firm*—Dergosits & Noah LLP

(57) **CLAIM**

We claim the ornamental design for an outdoor grill, as shown and described.

DESCRIPTION

FIG. 1 is a perspective view of an outdoor grill showing our new design;

FIG. 2 is a top plan view thereof;

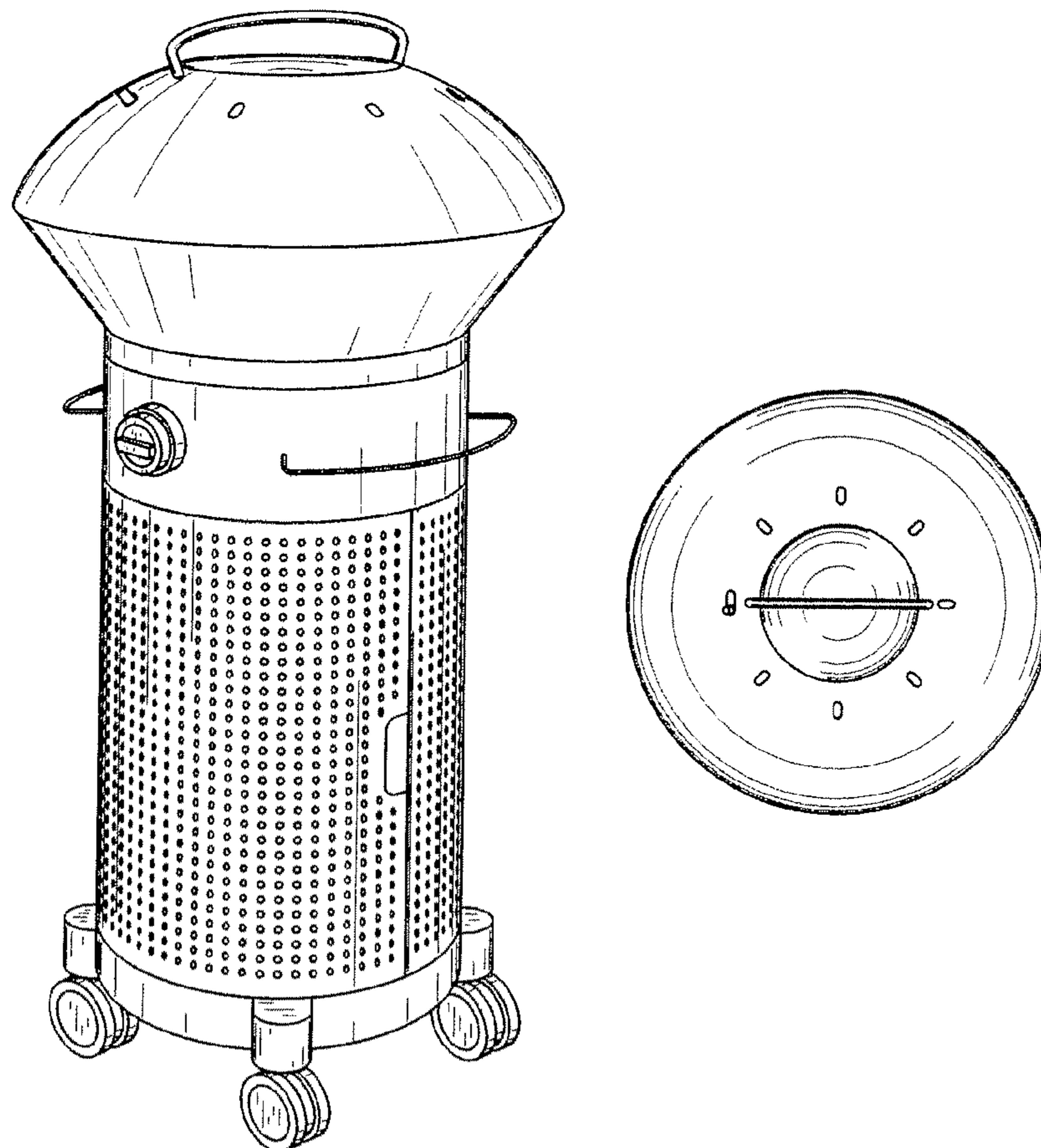
FIG. 3 is a front view thereof;

FIG. 4 is a rear view thereof;

FIG. 5 is a right side view thereof; and,

FIG. 6 is a left side view thereof.

1 Claim, 2 Drawing Sheets



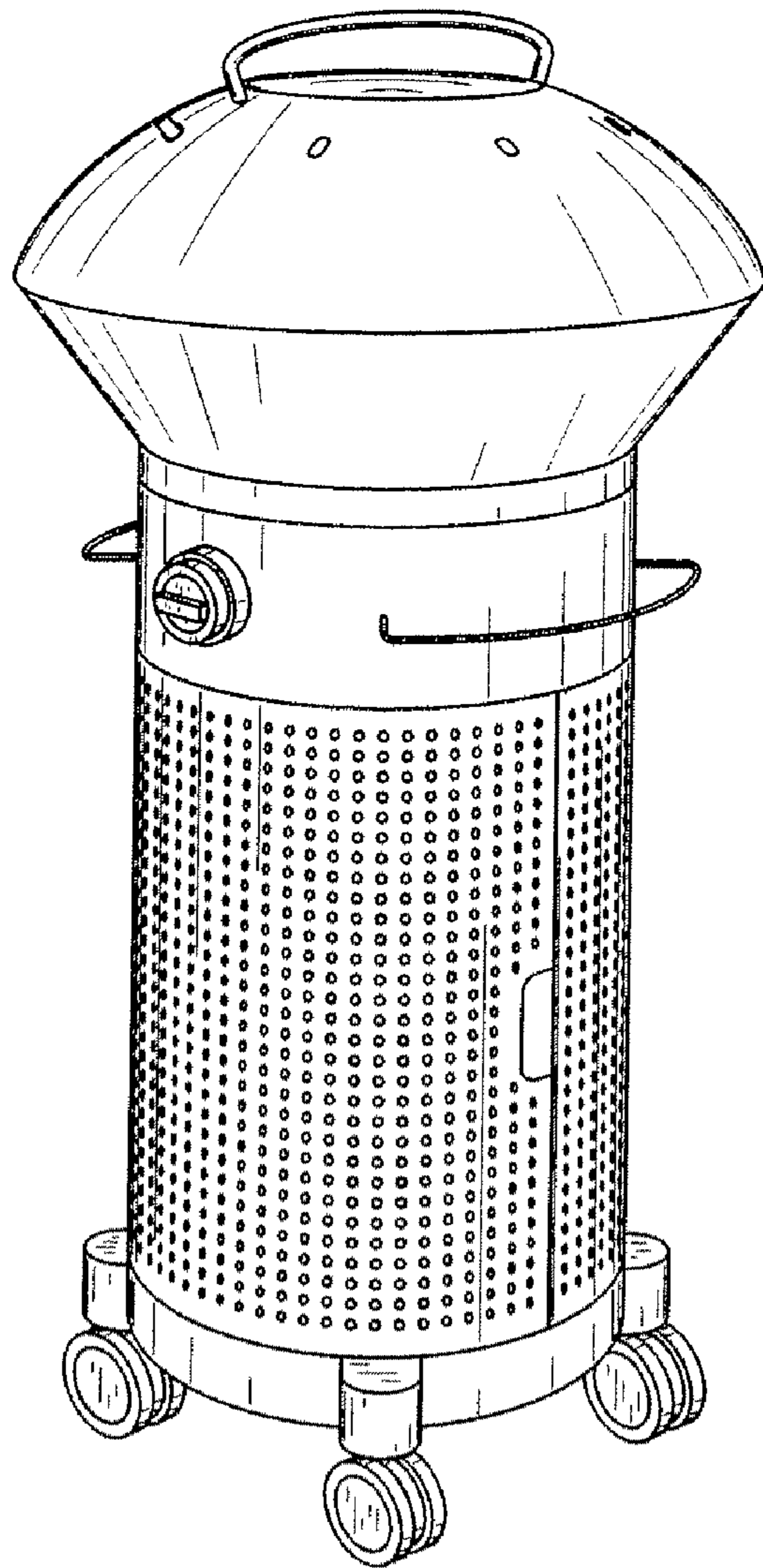


FIG. 1

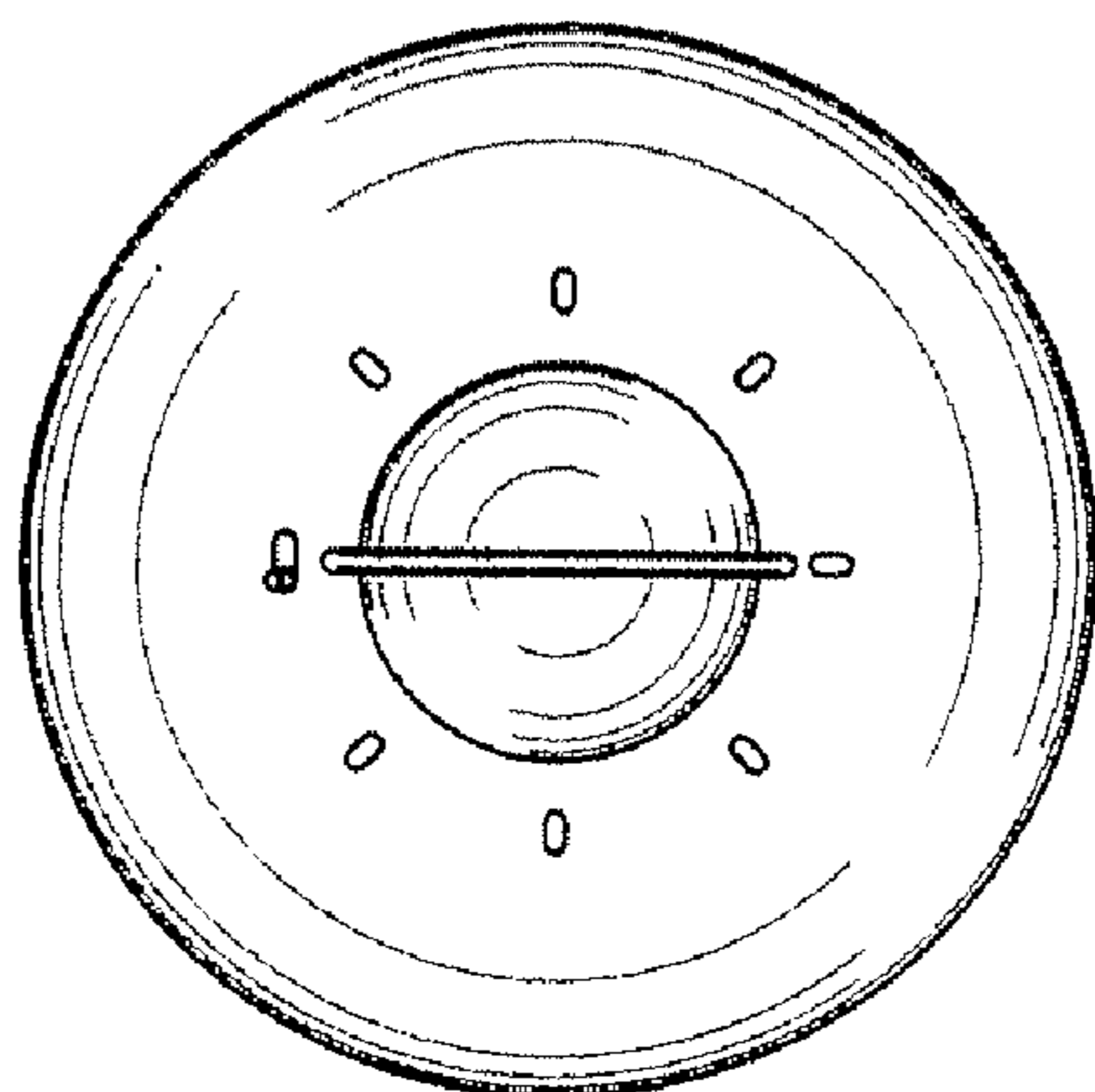


FIG. 2

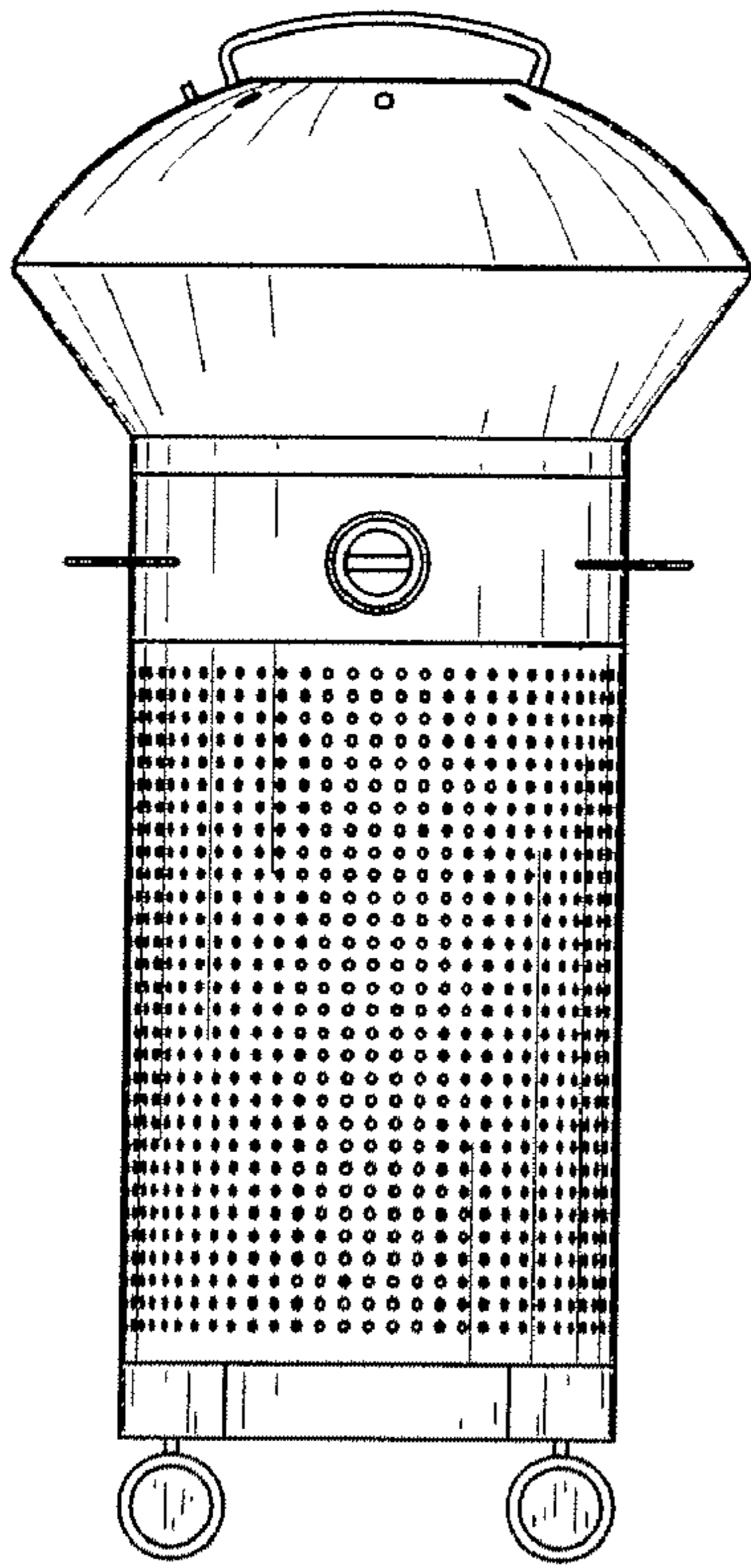


FIG. 3

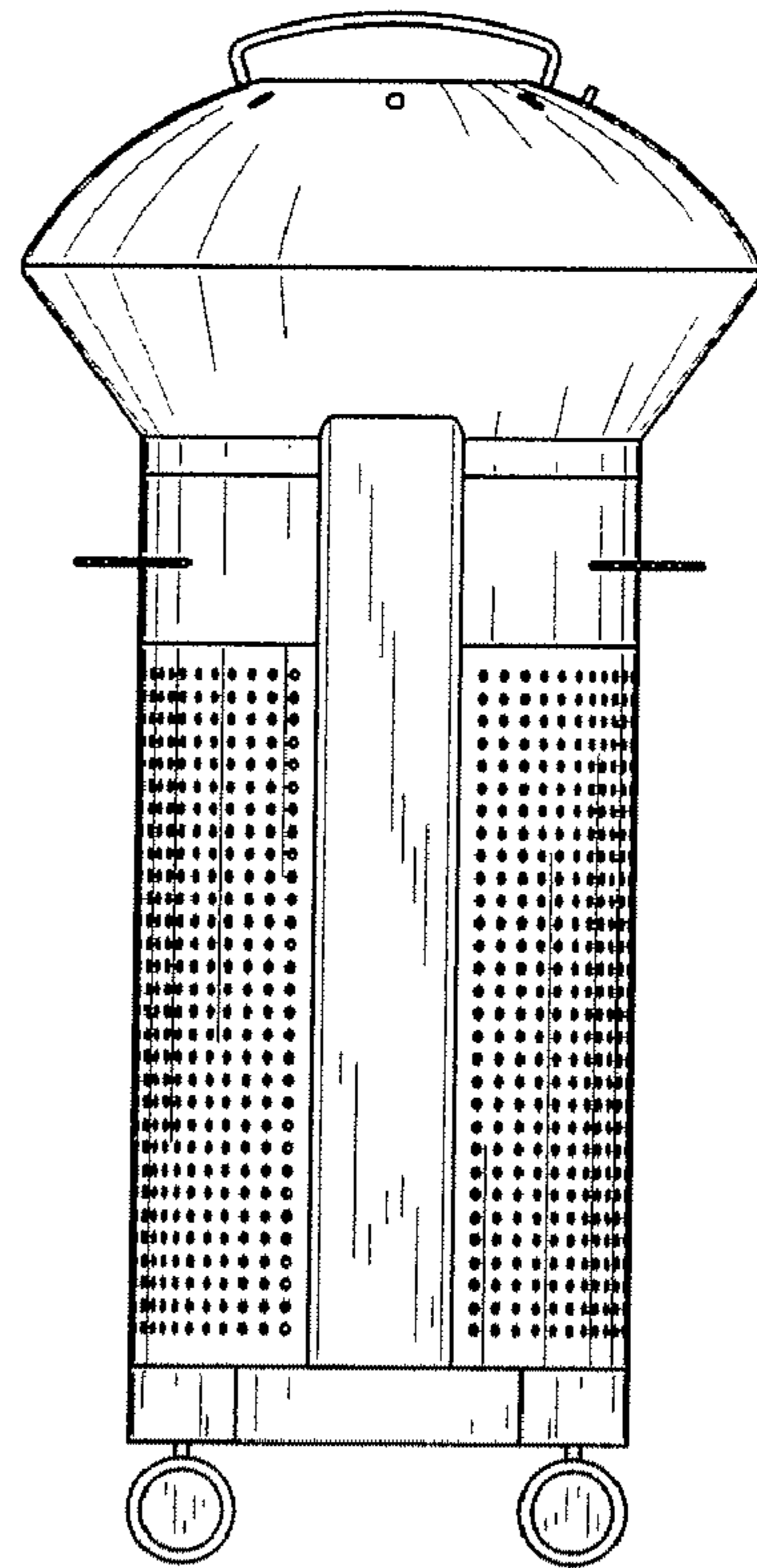


FIG. 4

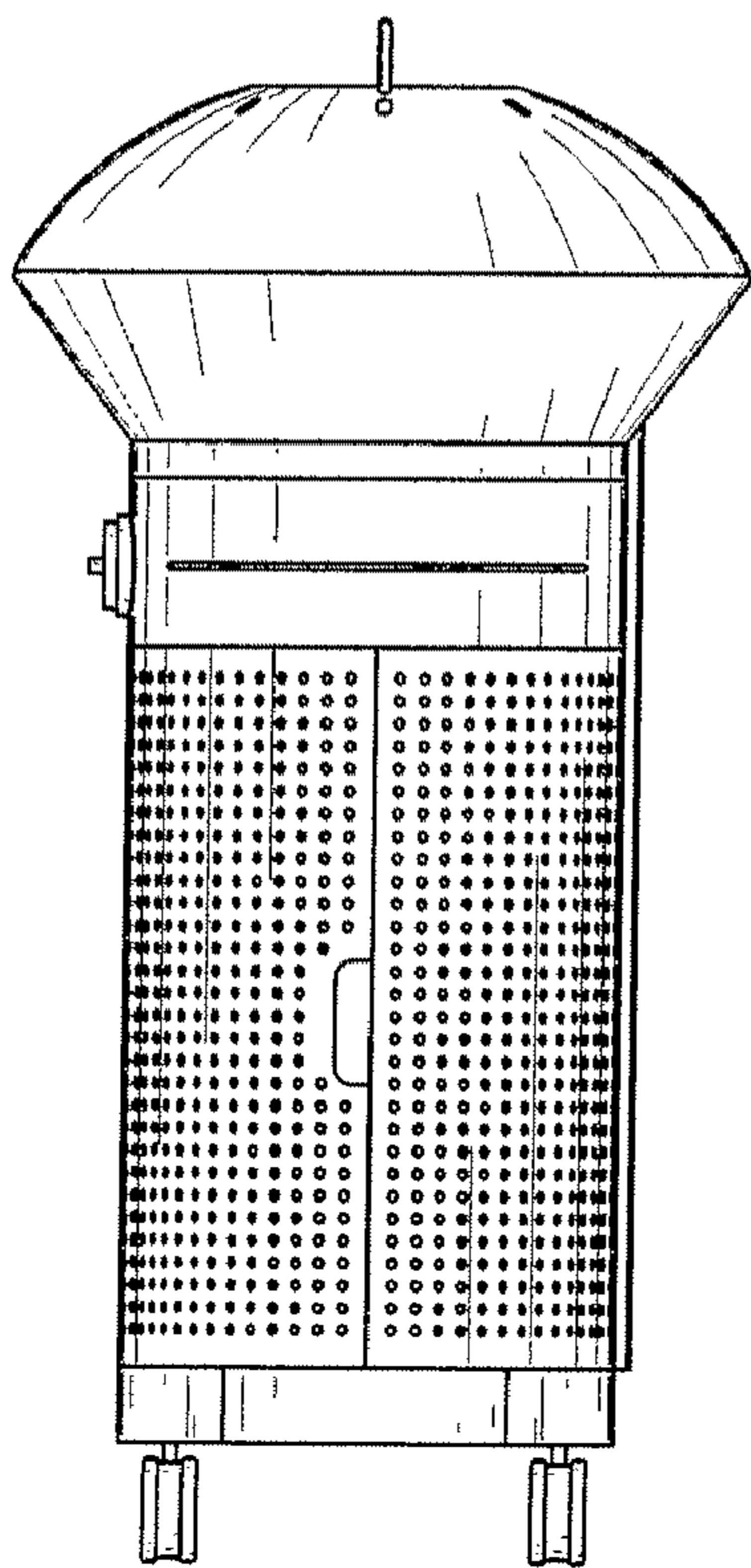


FIG. 5

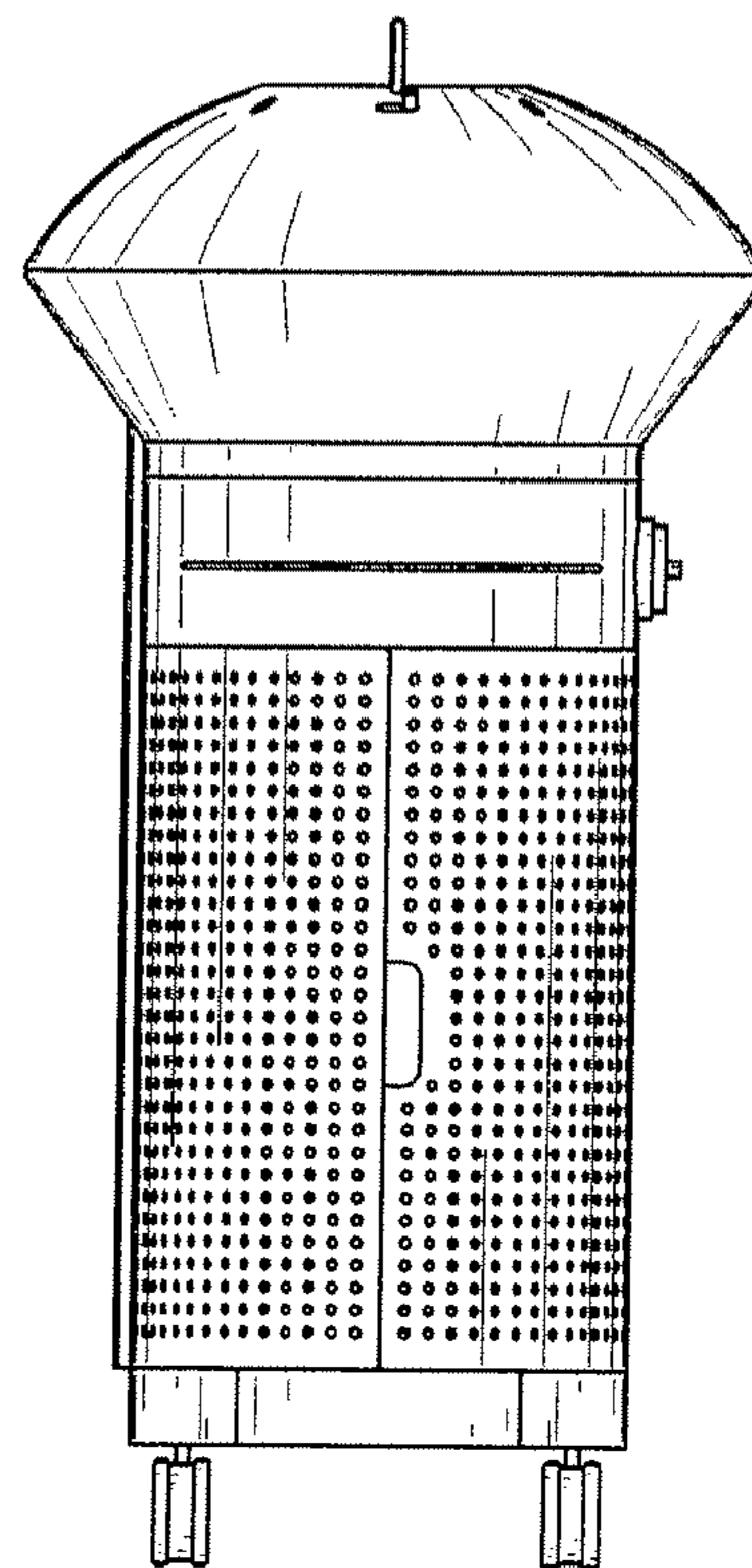


FIG. 6