



US00D608134S

(12) **United States Design Patent**  
**Steiner**

(10) **Patent No.:** **US D608,134 S**  
(45) **Date of Patent:** **\*\* Jan. 19, 2010**

(54) **TOASTER**  
(75) Inventor: **Mark Steiner**, Midlothian, VA (US)  
(73) Assignee: **Hamilton Beach Brands, Inc.**, Glen Allen, VA (US)  
(\*\*) Term: **14 Years**  
(21) Appl. No.: **29/340,715**  
(22) Filed: **Jul. 23, 2009**

D520,801 S 5/2006 Cuffaro et al.  
D525,475 S 7/2006 Yeung  
D527,568 S 9/2006 Page et al.  
D548,512 S 8/2007 Nakatani  
D552,919 S 10/2007 Kim et al.  
D562,054 S 2/2008 Verdun  
D594,269 S \* 6/2009 Lavy ..... D7/330

(51) **LOC (9) Cl.** ..... **07-02**  
(52) **U.S. Cl.** ..... **D7/330**  
(58) **Field of Classification Search** ..... D7/323,  
D7/328-333, 340-341, 346, 354-365, 367,  
D7/385, 390, 402, 405-411; 83/762; 99/326,  
99/329 RT, 331-332, 357, 375, 385-386,  
99/392; 219/214, 388, 392, 405, 443.1, 450.1,  
219/492, 532; 426/233, 523  
See application file for complete search history.

\* cited by examiner

*Primary Examiner*—Caron Veynar  
*Assistant Examiner*—Ricky Pham  
(74) *Attorney, Agent, or Firm*—Panitch Schwarze Belisario & Nadel LLP

(56) **References Cited**

U.S. PATENT DOCUMENTS

2,567,075 A 9/1951 Lindberg  
D375,017 S 10/1996 Barrault  
6,058,829 A \* 5/2000 Endres ..... 99/329 RT  
D427,006 S 6/2000 Chedal Anglay  
D432,345 S 10/2000 Saltet  
D474,368 S \* 5/2003 Averty ..... D7/330  
D489,564 S 5/2004 Enriquez et al.  
D495,195 S 8/2004 Enriquez et al.  
D502,839 S 3/2005 Cuffaro et al.  
D503,305 S 3/2005 Bjørn

(57) **CLAIM**

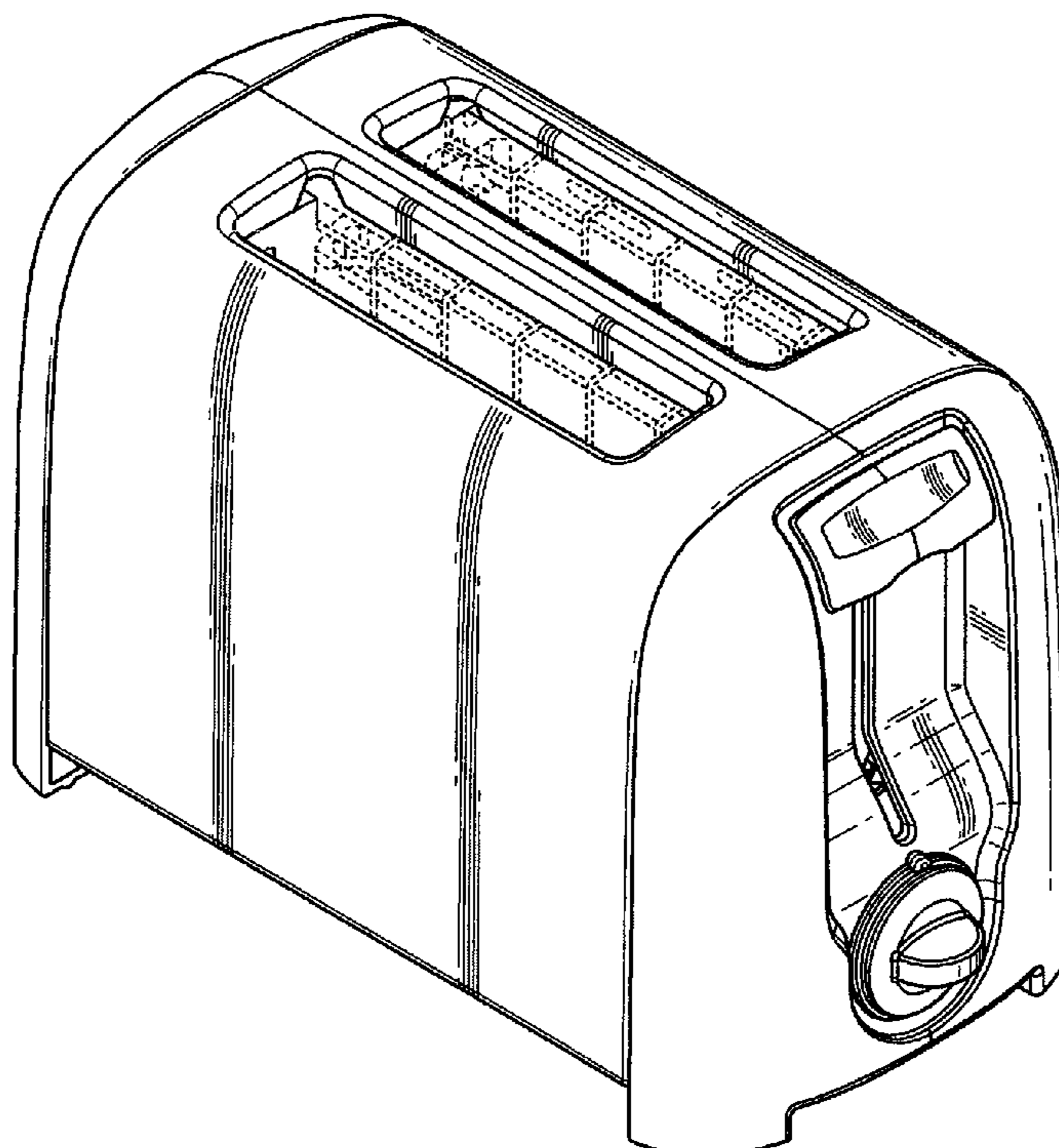
The ornamental design for a toaster, as shown and described.

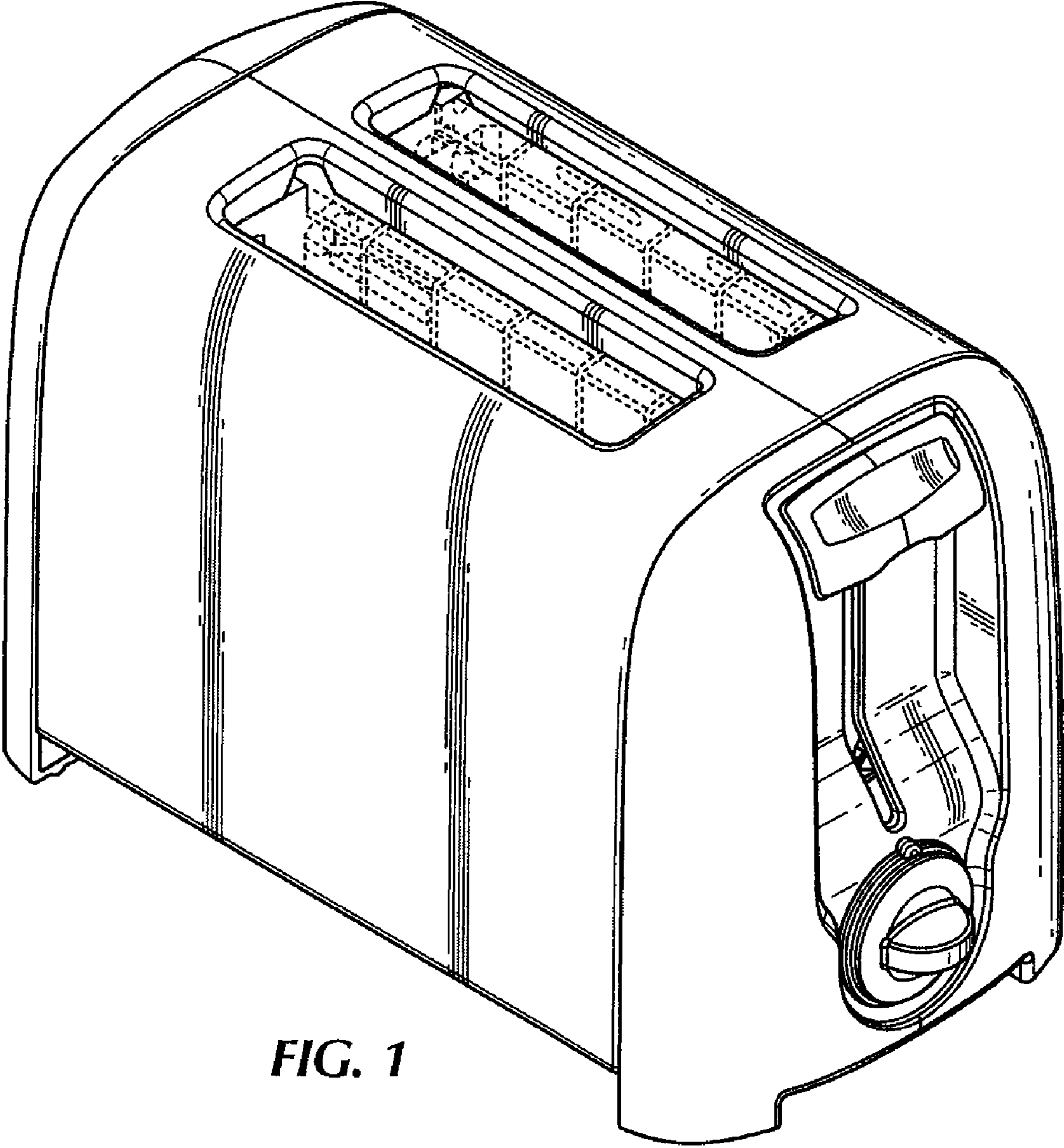
**DESCRIPTION**

FIG. 1 is a top left perspective view of a toaster according to a preferred embodiment design;  
FIG. 2 is a top right perspective view thereof;  
FIG. 3 is a front elevational view thereof;  
FIG. 4 is a left side elevational view thereof, the right side elevational view being a mirror image thereof;  
FIG. 5 is a top plan view thereof;  
FIG. 6 is a rear elevational view thereof; and,  
FIG. 7 is bottom plan view thereof.

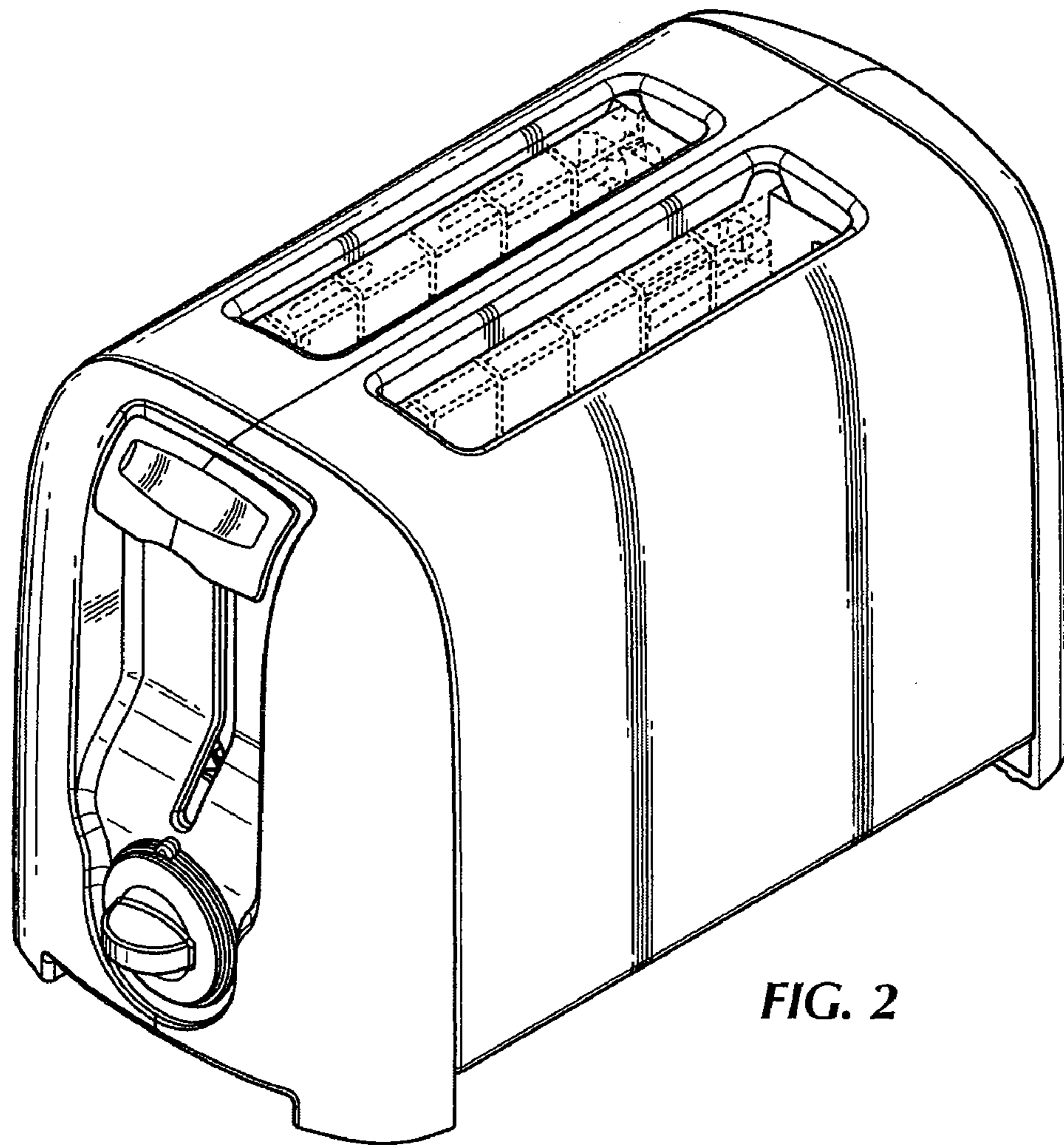
The broken lines in the figures are for illustrative purposes only and form no part of the claimed design.

**1 Claim, 4 Drawing Sheets**

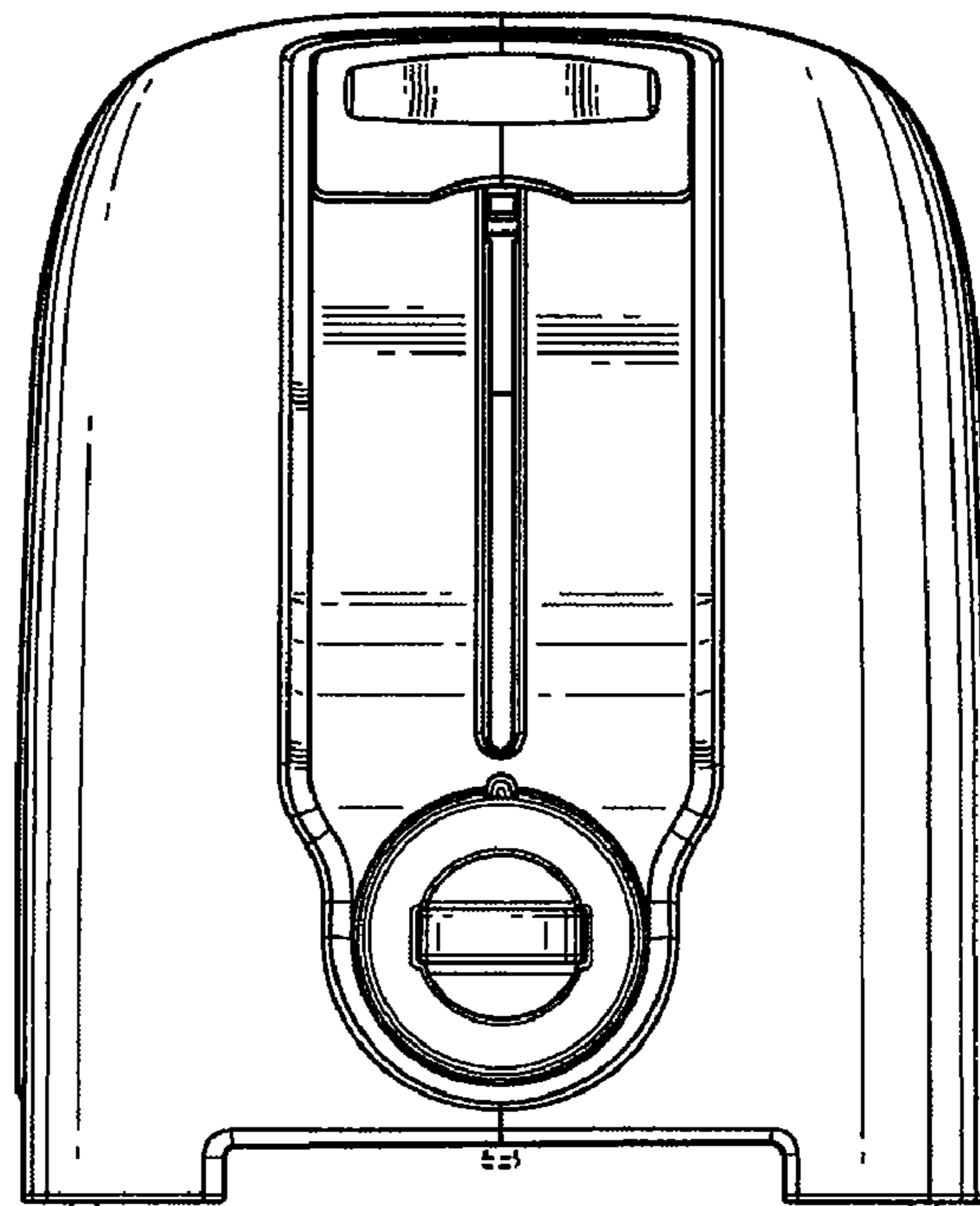




**FIG. 1**



**FIG. 2**



**FIG. 3**

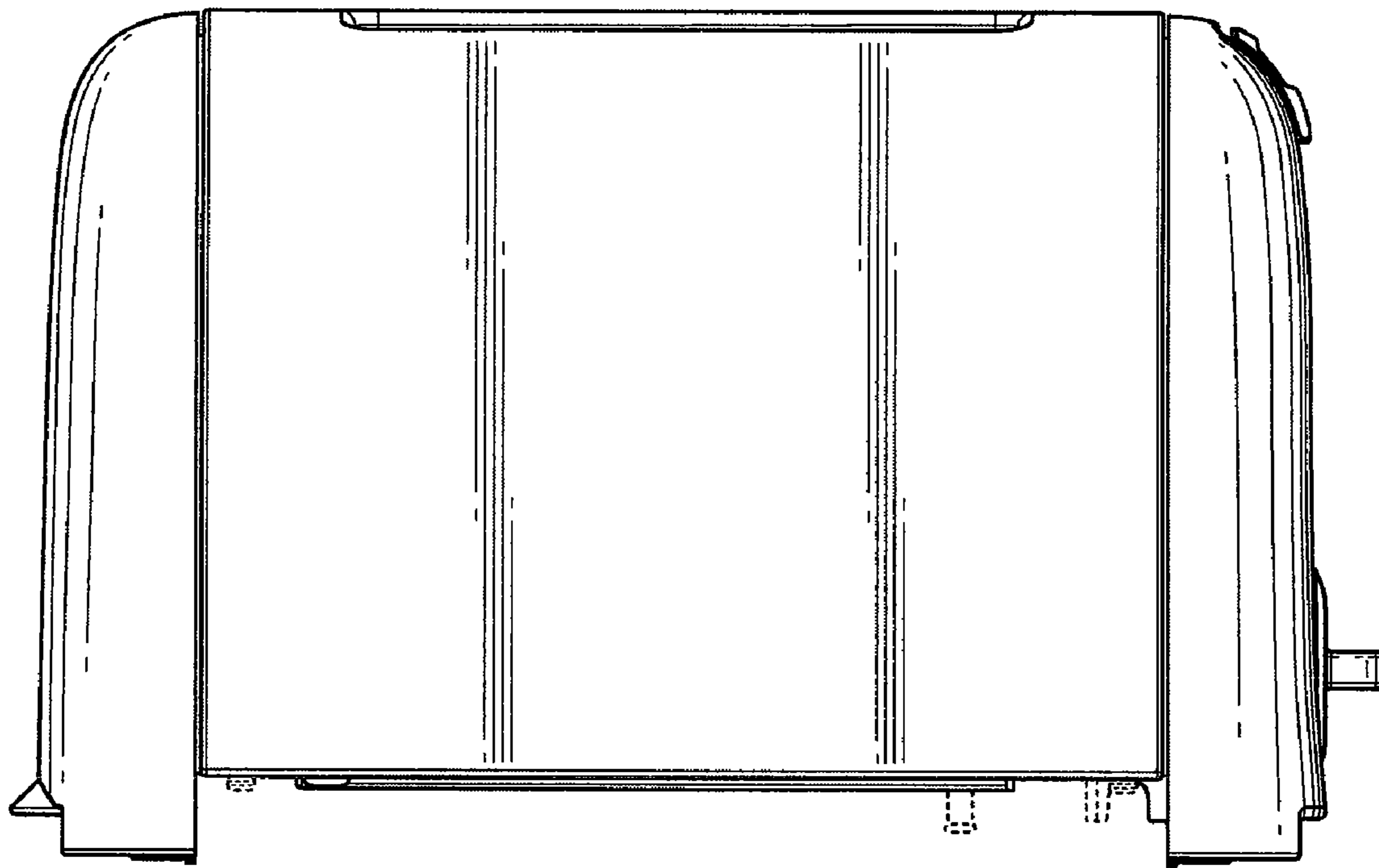


FIG. 4

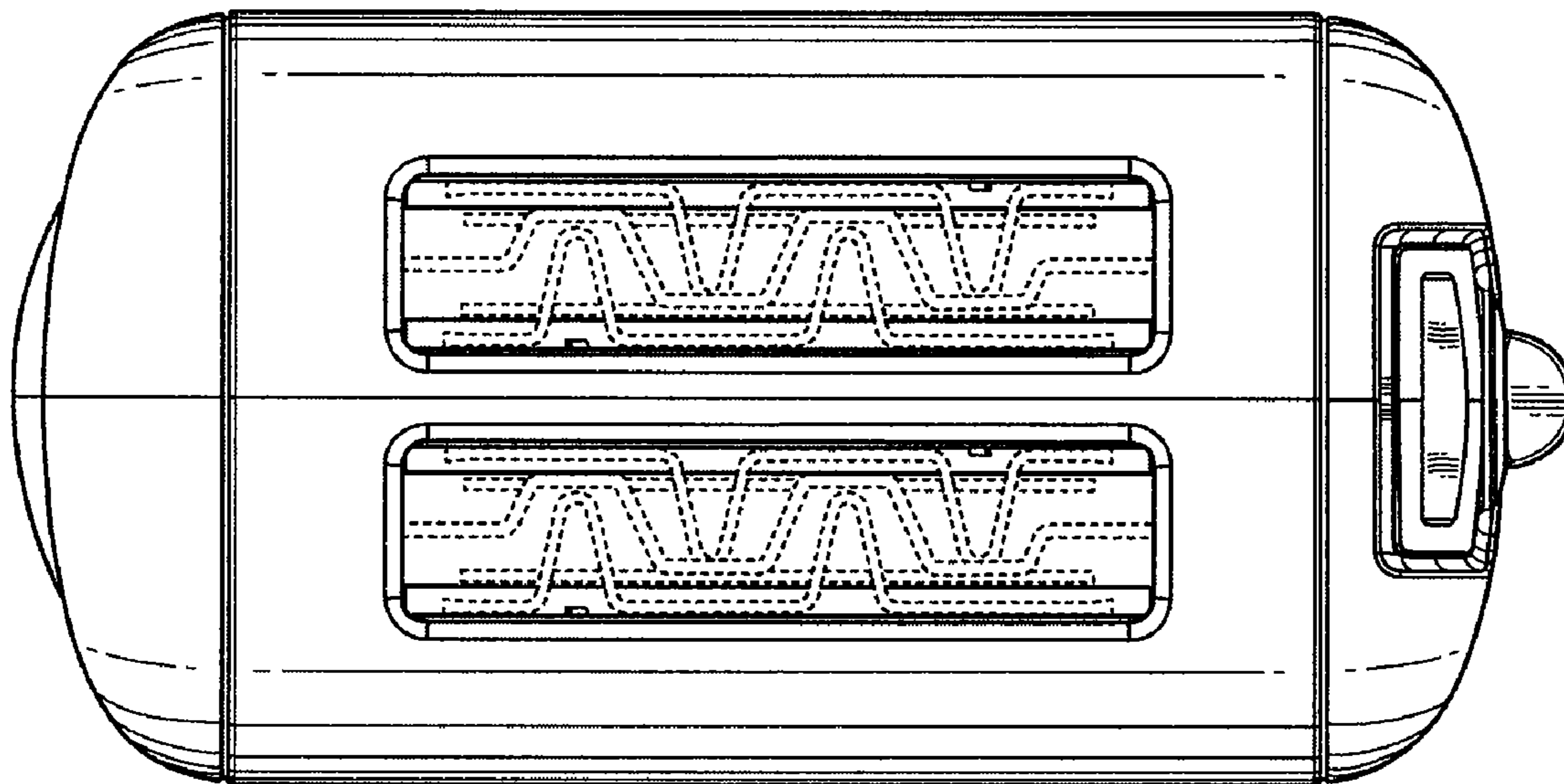


FIG. 5

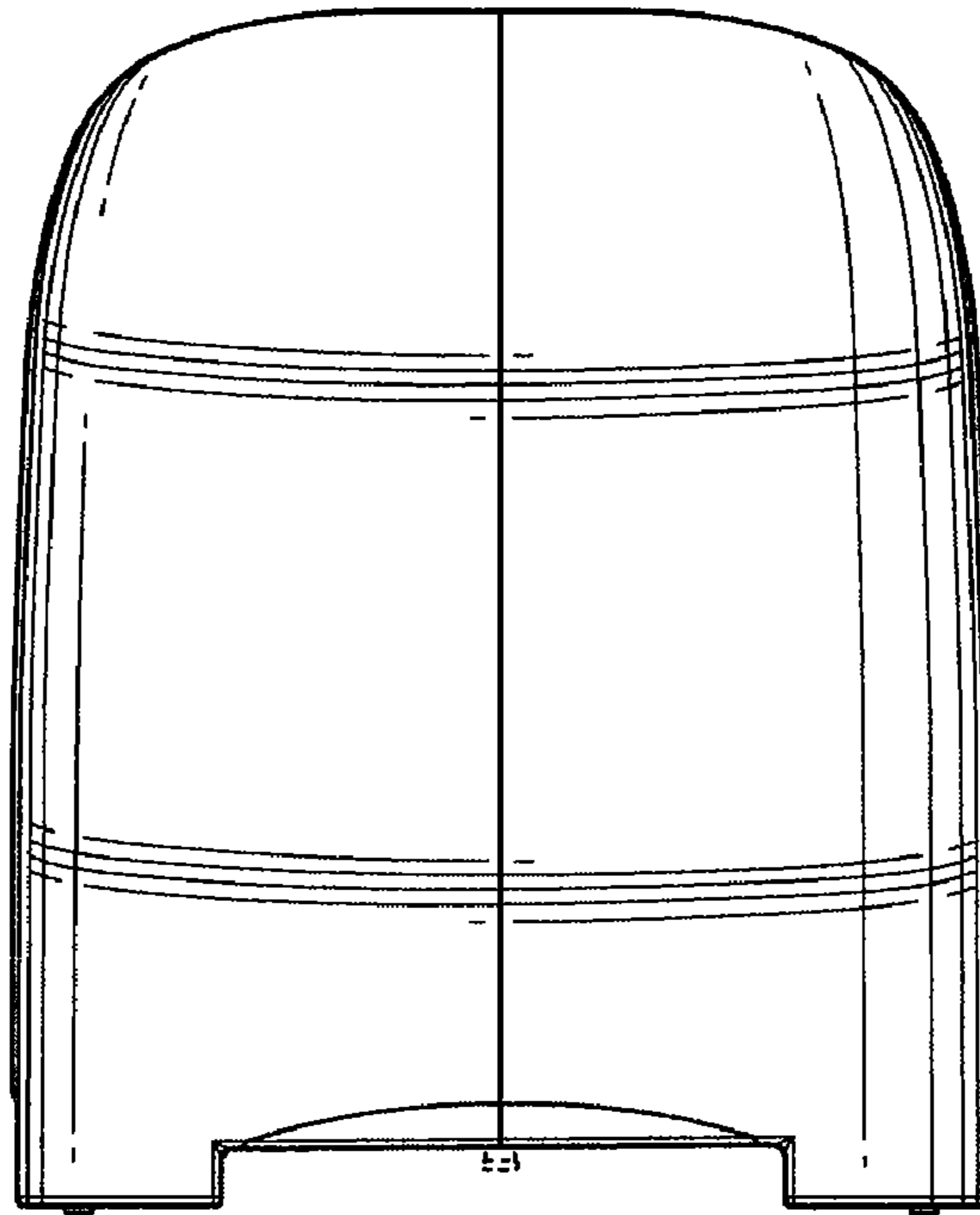


FIG. 6

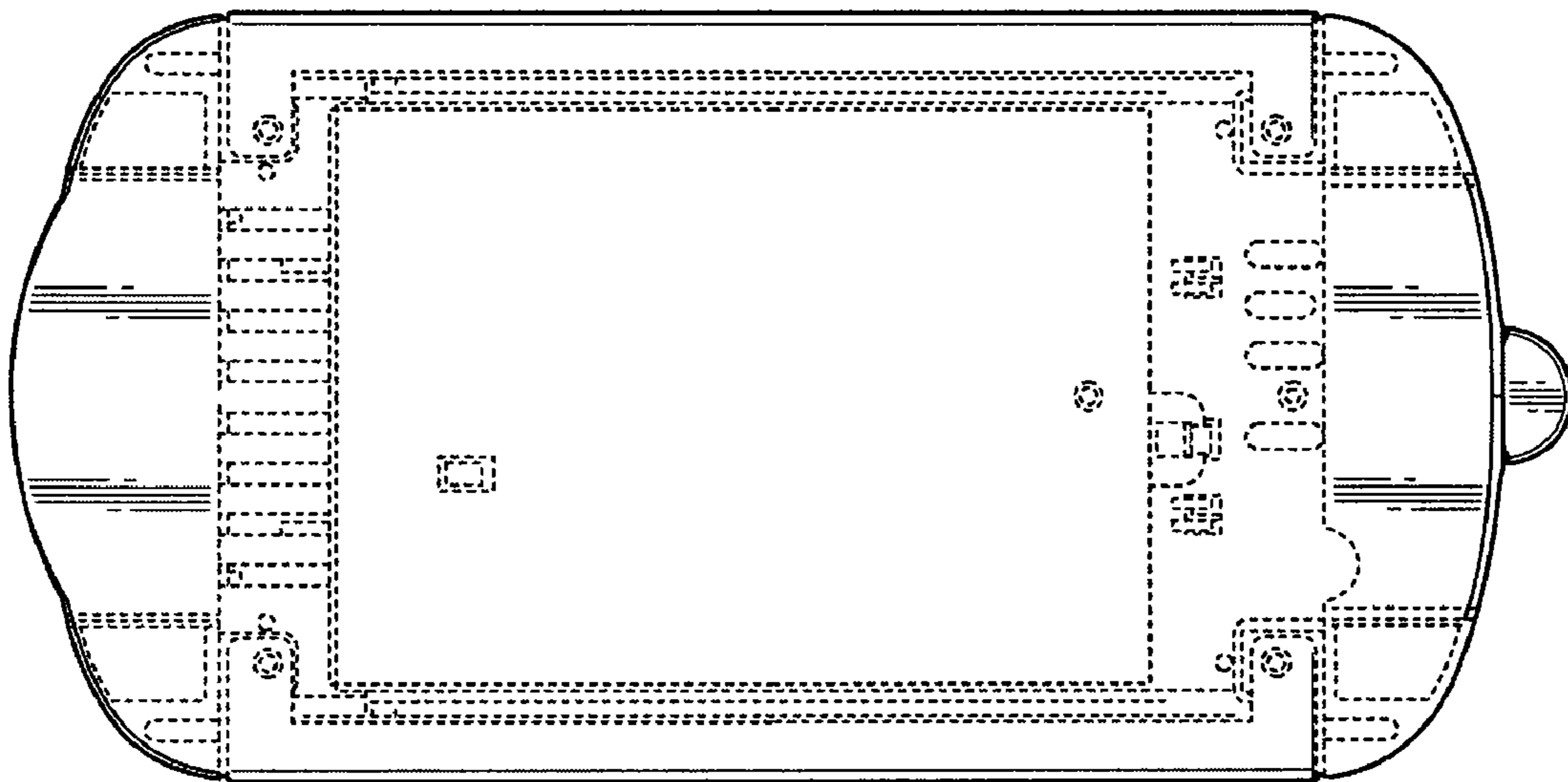


FIG. 7