



US00D608133S

(12) **United States Design Patent**
Choi

(10) **Patent No.:** **US D608,133 S**
(45) **Date of Patent:** **** Jan. 19, 2010**

(54) **ELECTRIC KETTLE**

(75) Inventor: **Hun Jung Choi**, Gyunggi-do (KR)

(73) Assignee: **Woongjin Coway Co., Ltd.**,
Choongcheongnam-do (KR)

(**) Term: **14 Years**

(21) Appl. No.: **29/339,945**

(22) Filed: **Jul. 10, 2009**

(30) **Foreign Application Priority Data**

Jan. 13, 2009 (KR) 30-2009-0001389

(51) **LOC (9) Cl.** **07-01**

(52) **U.S. Cl.** **D7/319; D7/536; D7/317**

(58) **Field of Classification Search** D7/300,
D7/316-319, 305, 397, 399, 387, 507, 536,
D7/510, 511; 99/295, 299; 222/129.1
See application file for complete search history.

(56) **References Cited**

U.S. PATENT DOCUMENTS

D263,105 S * 2/1982 Okazaki et al. D7/319
D286,364 S * 10/1986 Gecchelin D7/317
D346,525 S * 5/1994 Littmann D7/317
5,904,268 A * 5/1999 Daly 220/703
D444,204 S * 6/2001 Hilgers et al. D23/207
D465,132 S * 11/2002 Janky et al. D7/510

D492,879 S * 7/2004 Allemand D7/318
D498,384 S * 11/2004 McWilliam D7/319
D507,449 S * 7/2005 Burton et al. D7/309
D530,852 S * 10/2006 Zheng D27/148
D549,522 S * 8/2007 Tien D7/510
D562,072 S * 2/2008 Wahl D7/510
D581,718 S 12/2008 Verdun
D598,712 S * 8/2009 Alviar et al. D7/510

* cited by examiner

Primary Examiner—Marianne Pandozzi

(74) *Attorney, Agent, or Firm*—McDermott Will & Emery
LLP

(57) **CLAIM**

I claim the ornamental design for an electric kettle, as shown
and described.

DESCRIPTION

FIG. 1 is a perspective view of the electric kettle;

FIG. 2 is the front view thereof;

FIG. 3 is the rear view thereof;

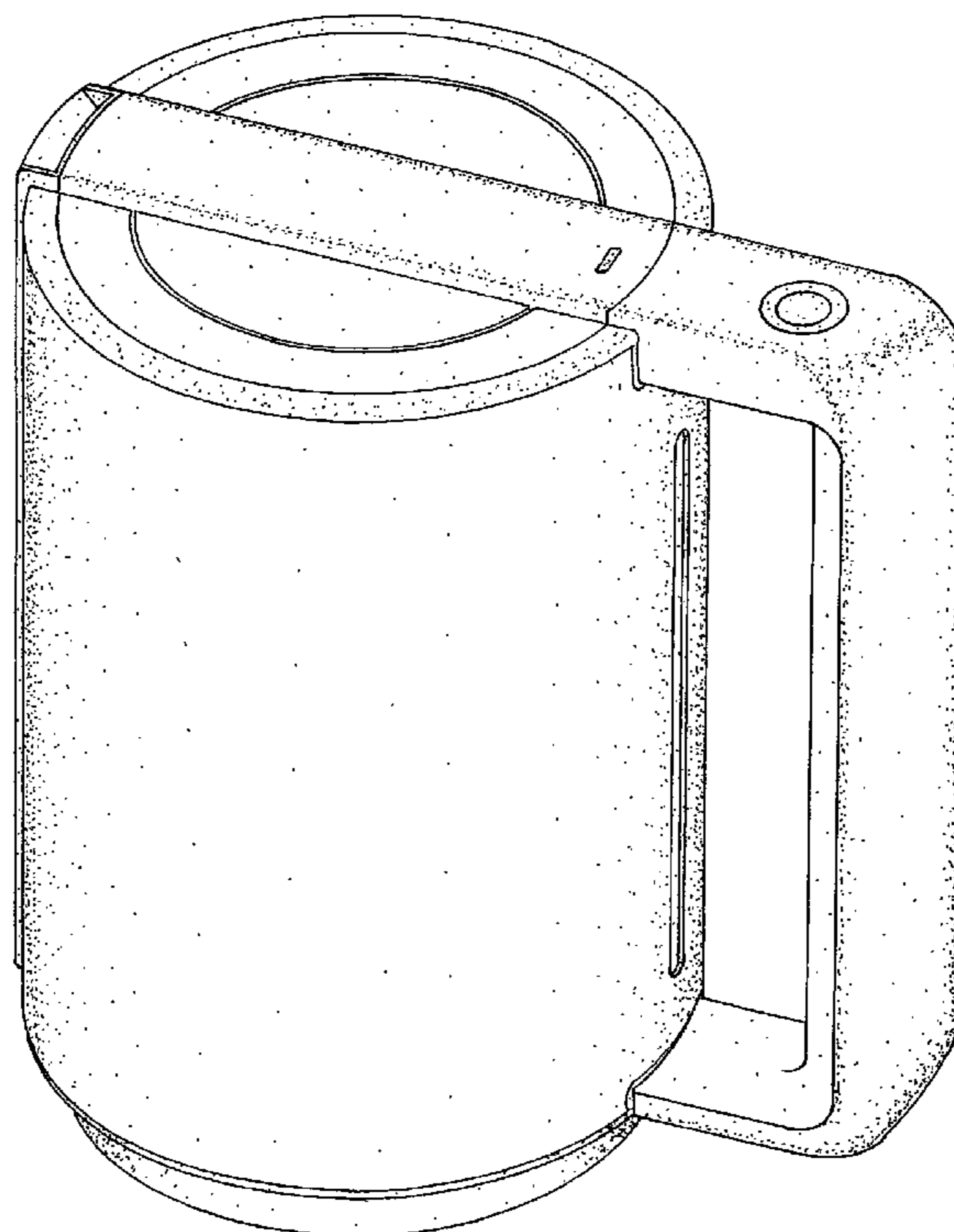
FIG. 4 is the left side view thereof;

FIG. 5 is the right side view thereof;

FIG. 6 is the top plan view thereof; and,

FIG. 7 is the bottom view thereof.

1 Claim, 6 Drawing Sheets



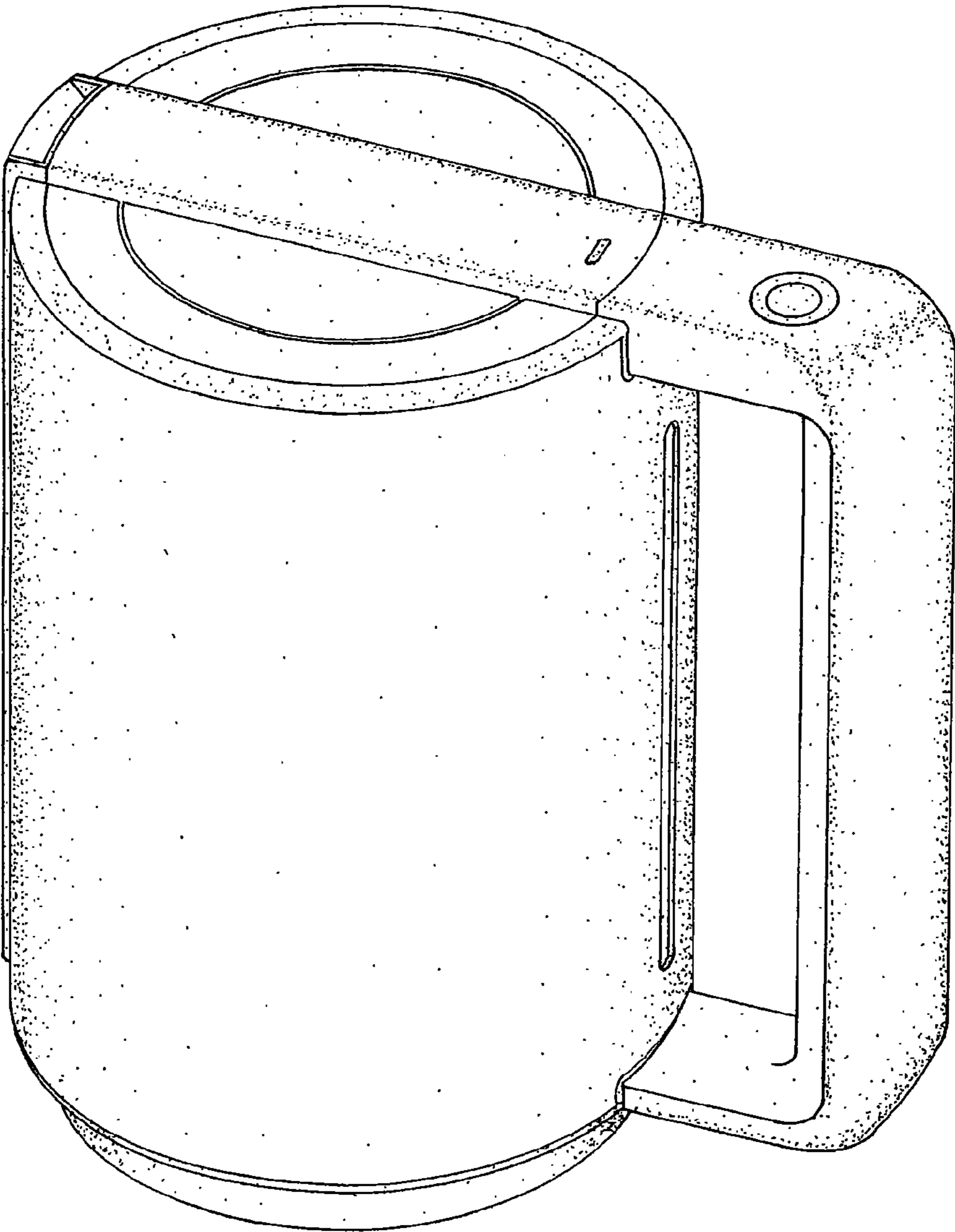


FIG. 1

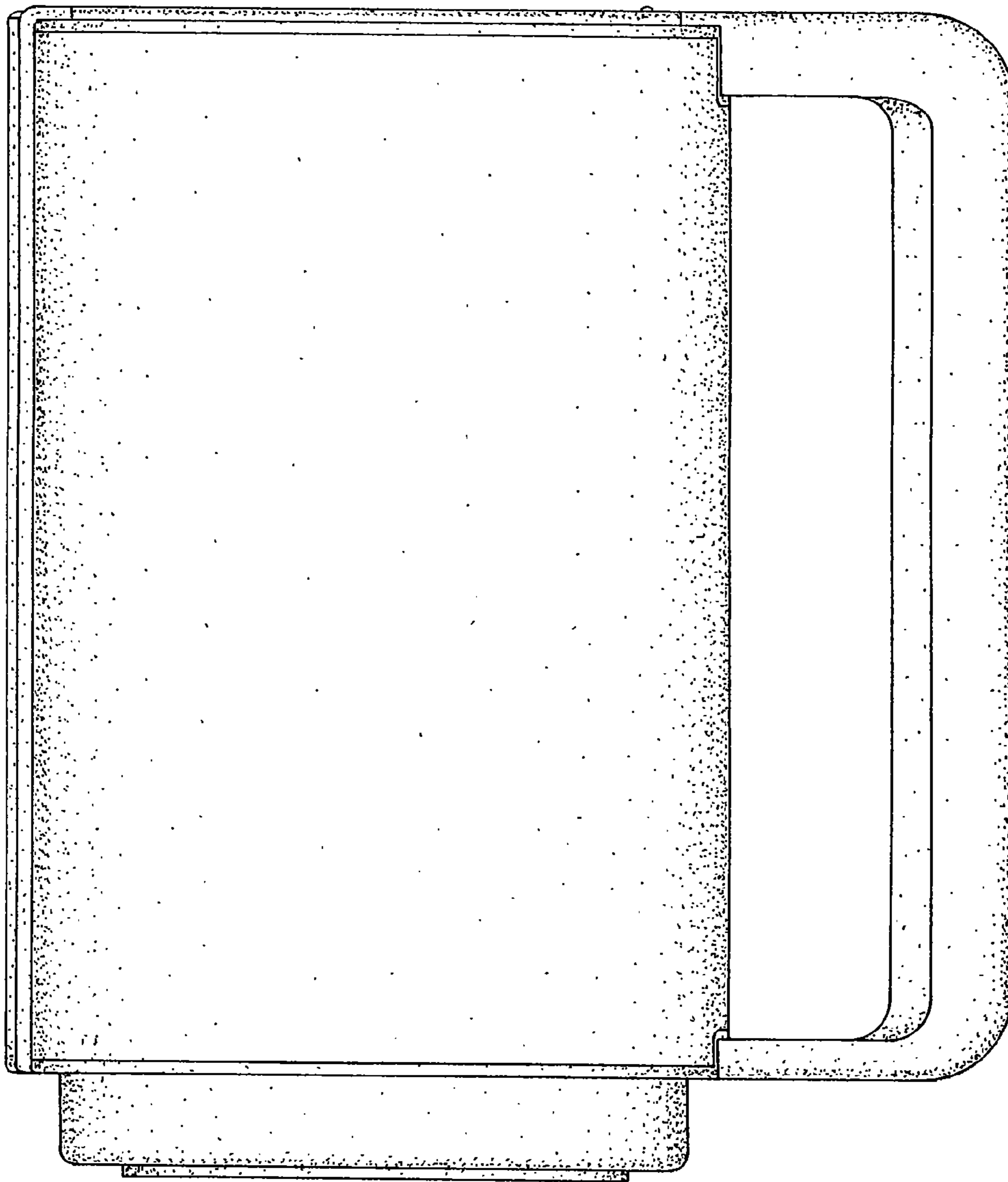


FIG. 2

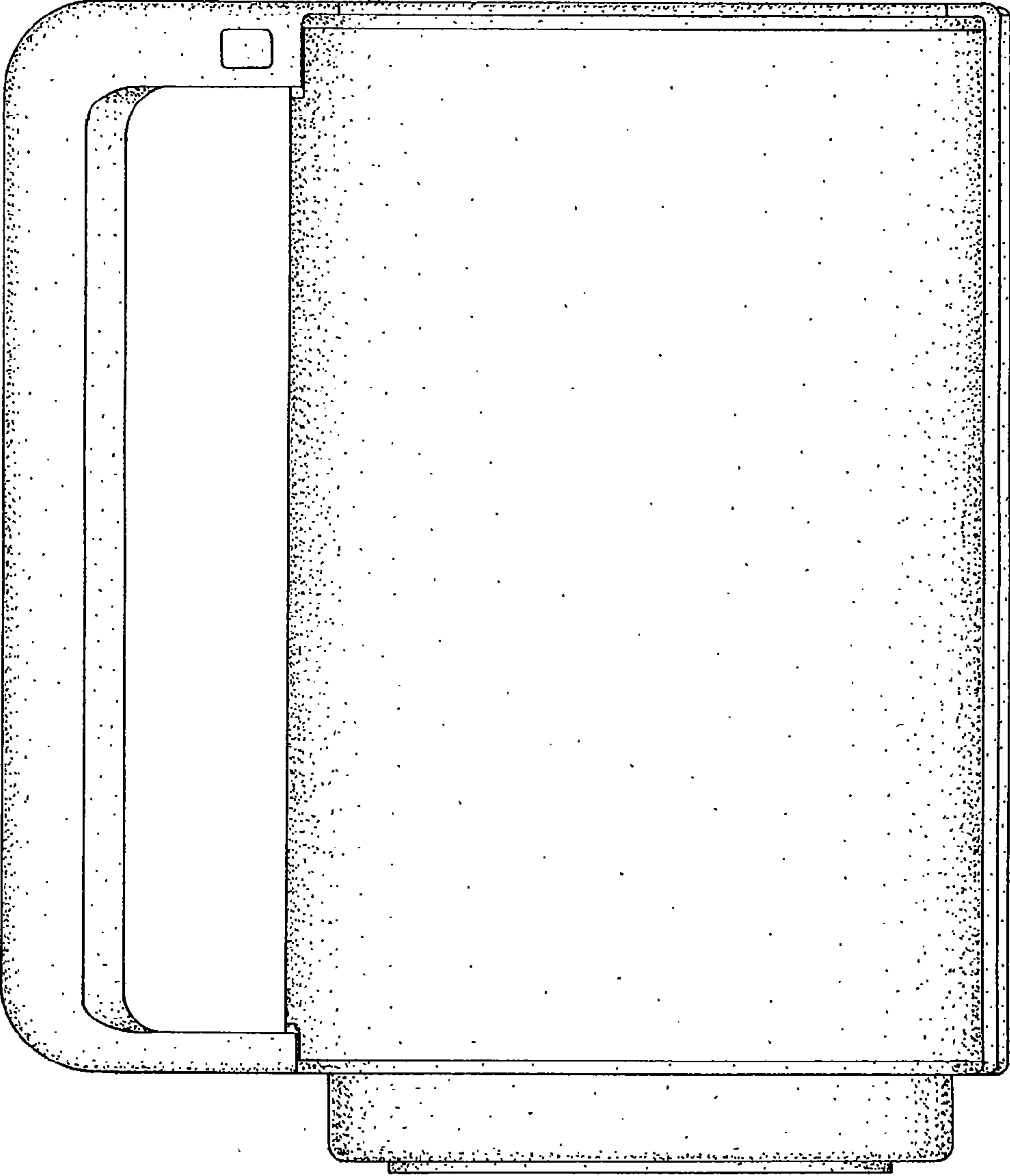


FIG. 3

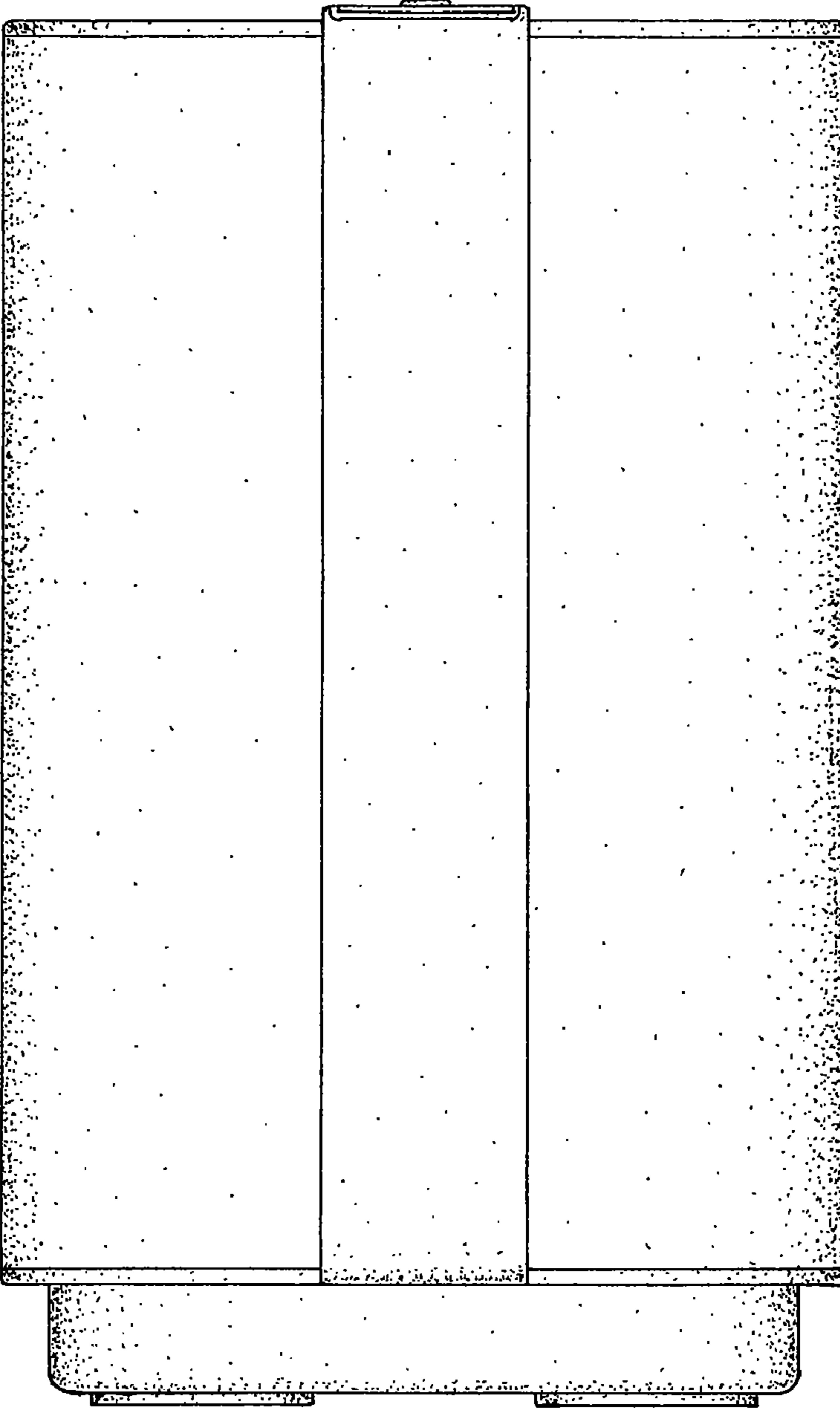


FIG. 4

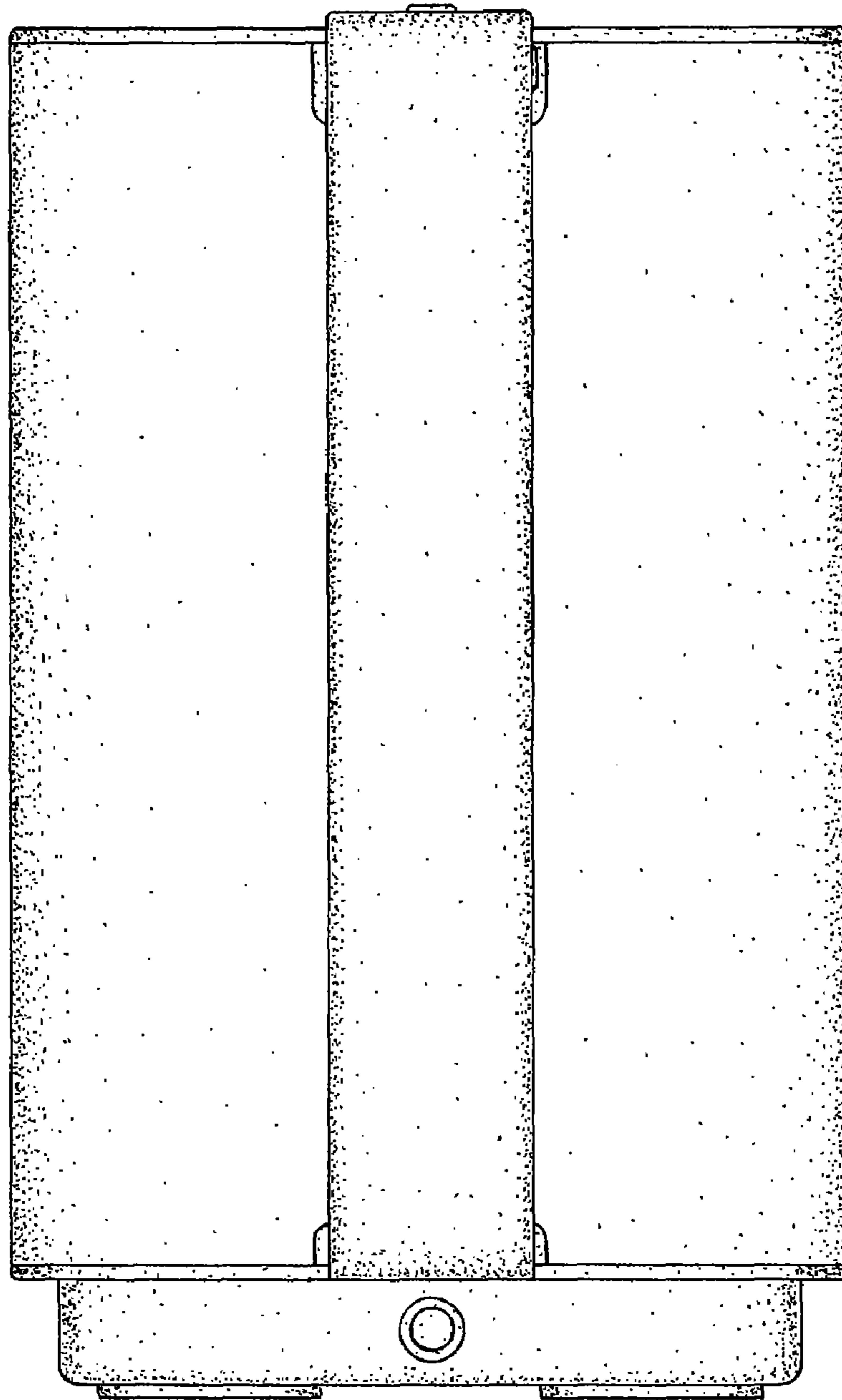


FIG. 5

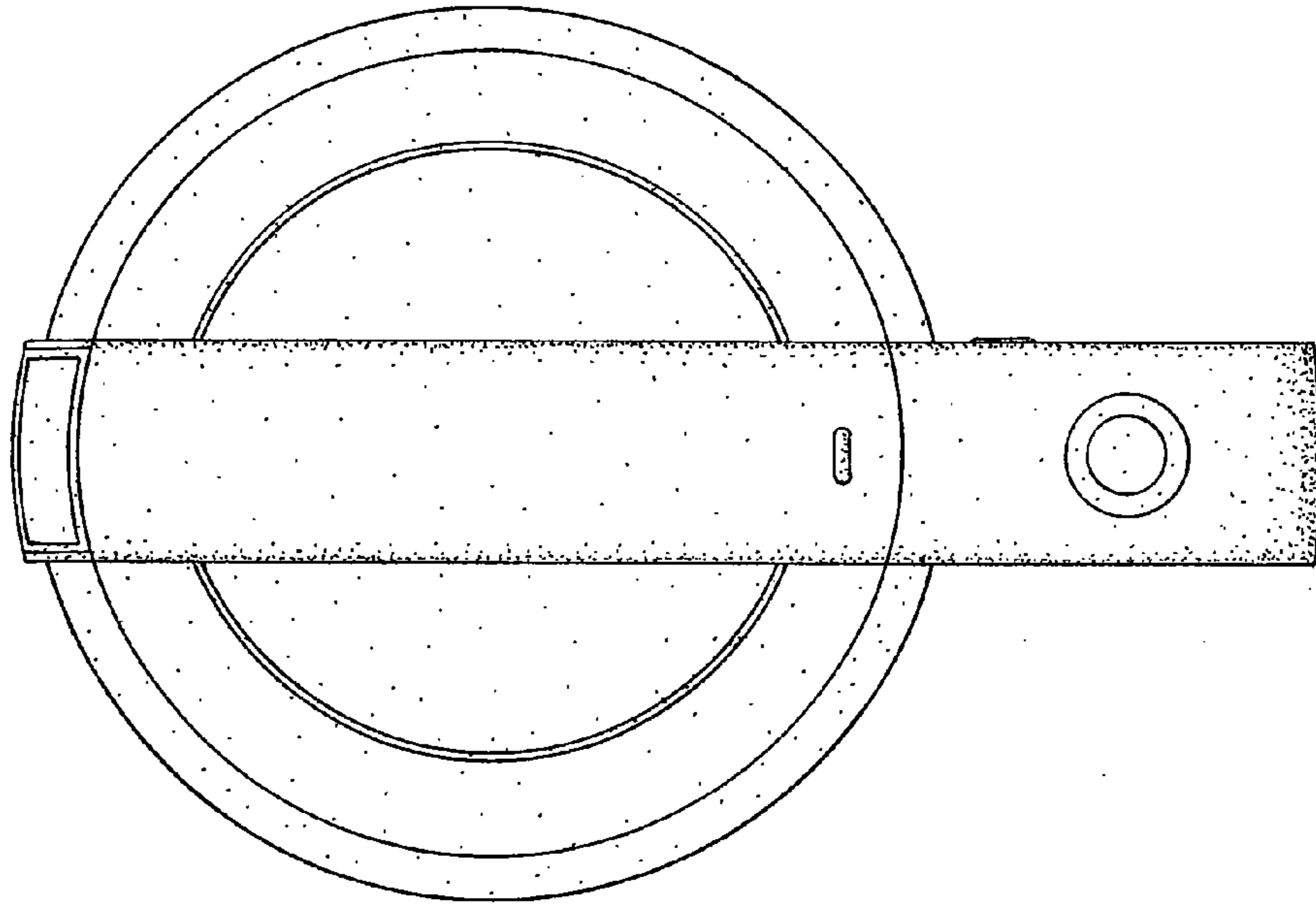


FIG. 6

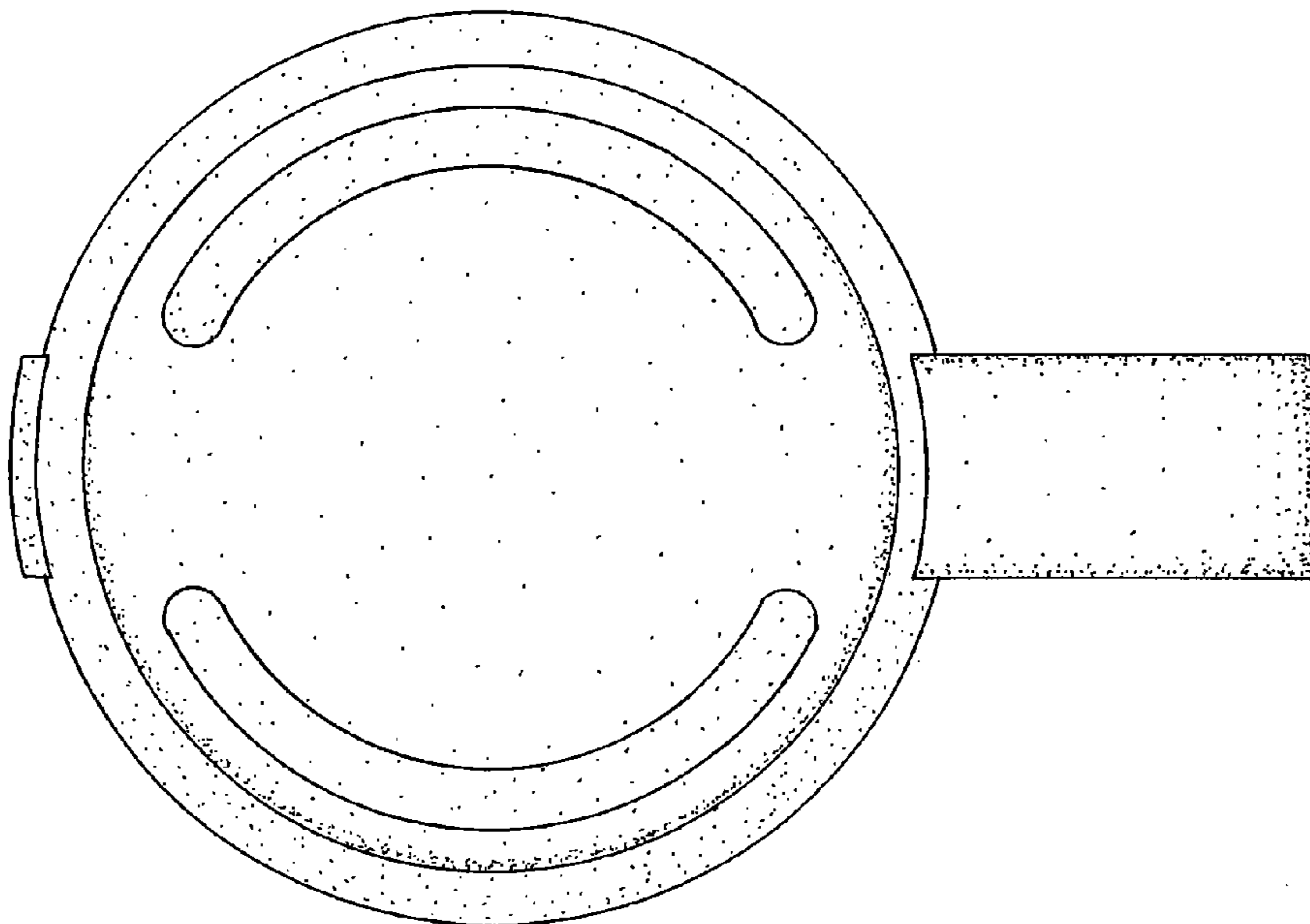


FIG. 7