

US00D608126S

(12) **United States Design Patent**
Buck et al.

(10) **Patent No.:** **US D608,126 S**
(45) **Date of Patent:** **** Jan. 19, 2010**

(54) **TOILET BRUSHWARE BASE**

2005/0108844 A1 5/2005 Grobbel et al.

(75) Inventors: **Spencer Buck**, Weston-Super-Mare (GB); **John Lamb**, Pewsey (GB); **Martin Bunce**, Pewsey (GB)

FOREIGN PATENT DOCUMENTS

DE	29817209	3/1999
JP	2001008856	1/2001
JP	2001186929	7/2001
JP	2006271644	10/2006

(73) Assignee: **Taxi Studio Limited**, Bristol (GB)

* cited by examiner

(**) Term: **14 Years**

Primary Examiner—Brian N Vinson

(21) Appl. No.: **29/339,100**

(74) *Attorney, Agent, or Firm*—Stites & Harbison PLLC; Douglas E. Jackson

(22) Filed: **Jun. 24, 2009**

(30) **Foreign Application Priority Data**

Mar. 25, 2009 (EP) 1 001112312-004

(57) **CLAIM**

The ornamental design for a toilet brushware base, as shown and described.

(51) **LOC (9) Cl.** **06-04**

DESCRIPTION

(52) **U.S. Cl.** **D6/551**

(58) **Field of Classification Search** D6/524,
D6/525, 551; 206/207, 349, 361; 312/206,
312/207; 4/255.05, 255.11

FIG. 1 is top view showing the new design.

FIG. 2 is a bottom view thereof.

FIG. 3 is a front view thereof.

FIG. 4 is a back view thereof.

See application file for complete search history.

FIG. 5 is a right side view thereof, the left side view being a mirror image of FIG. 5.

FIG. 6 is cross-sectional elevation view thereof taken along the line 6—6 in FIG. 1; and,

FIG. 7 is a perspective front, top and right side view thereof.

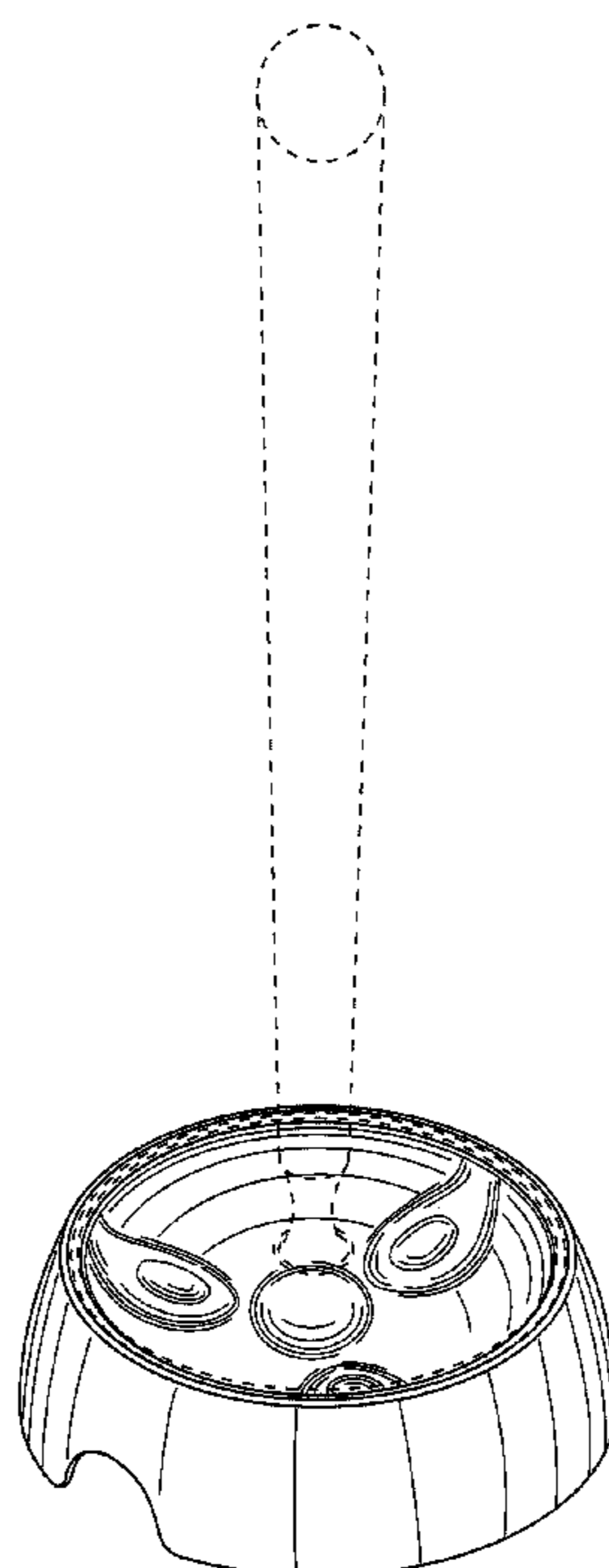
The broken lines in FIGS. 3 and 7 show a toilet brushware which stands in the base and forms no part of the claimed design.

(56) **References Cited**

U.S. PATENT DOCUMENTS

5,941,379 A	8/1999	Barardo	
D482,919 S *	12/2003	Armstrong	D6/551
D515,858 S *	2/2006	Hay	D6/524
D525,064 S *	7/2006	Williams	D6/524
D551,480 S *	9/2007	Dretzka	D6/551
D576,801 S *	9/2008	Dretzka	D6/551
D579,703 S *	11/2008	Nickelson et al.	D6/524
2004/0045112 A1	3/2004	Naumann	

1 Claim, 4 Drawing Sheets



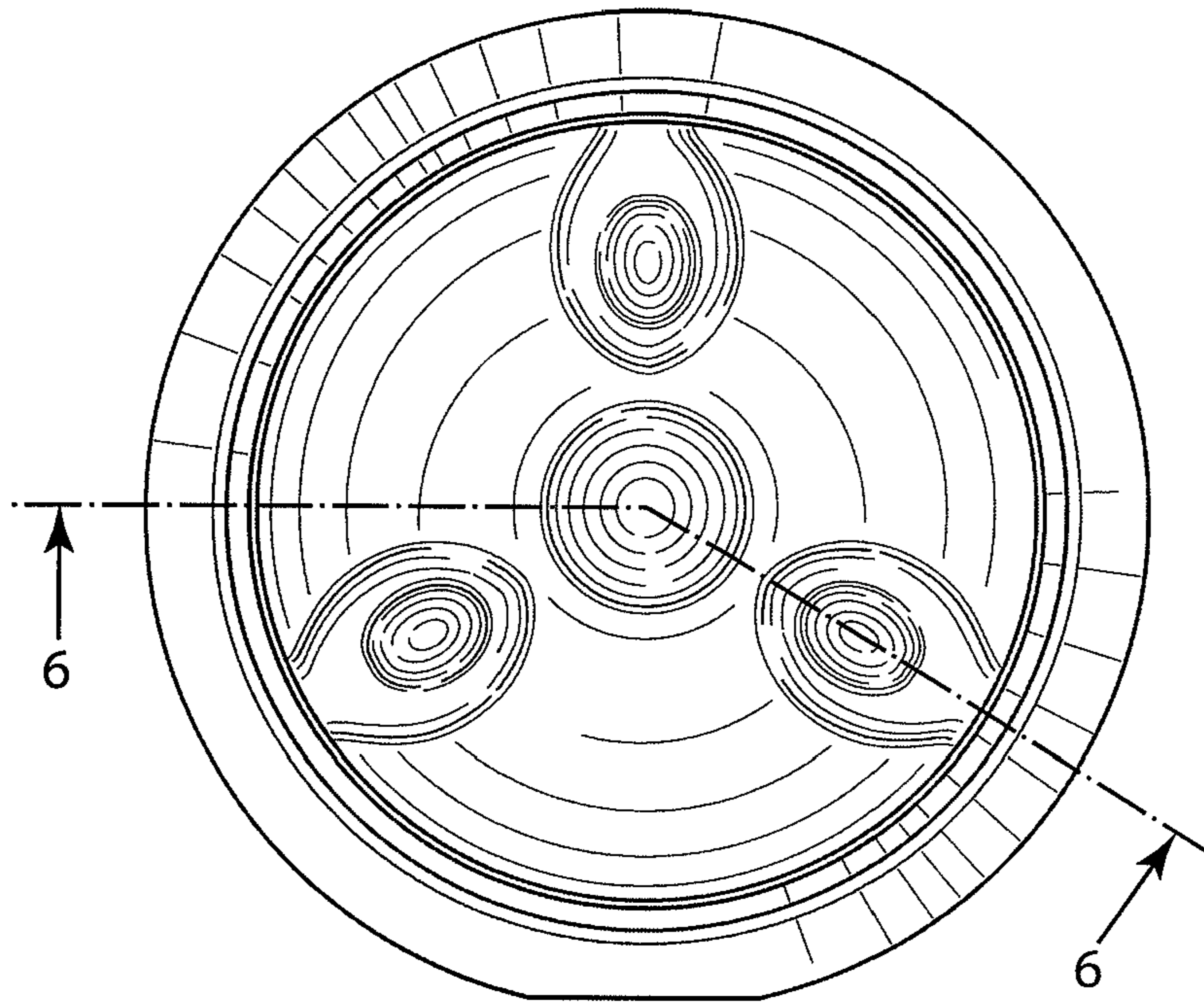


FIG. 1

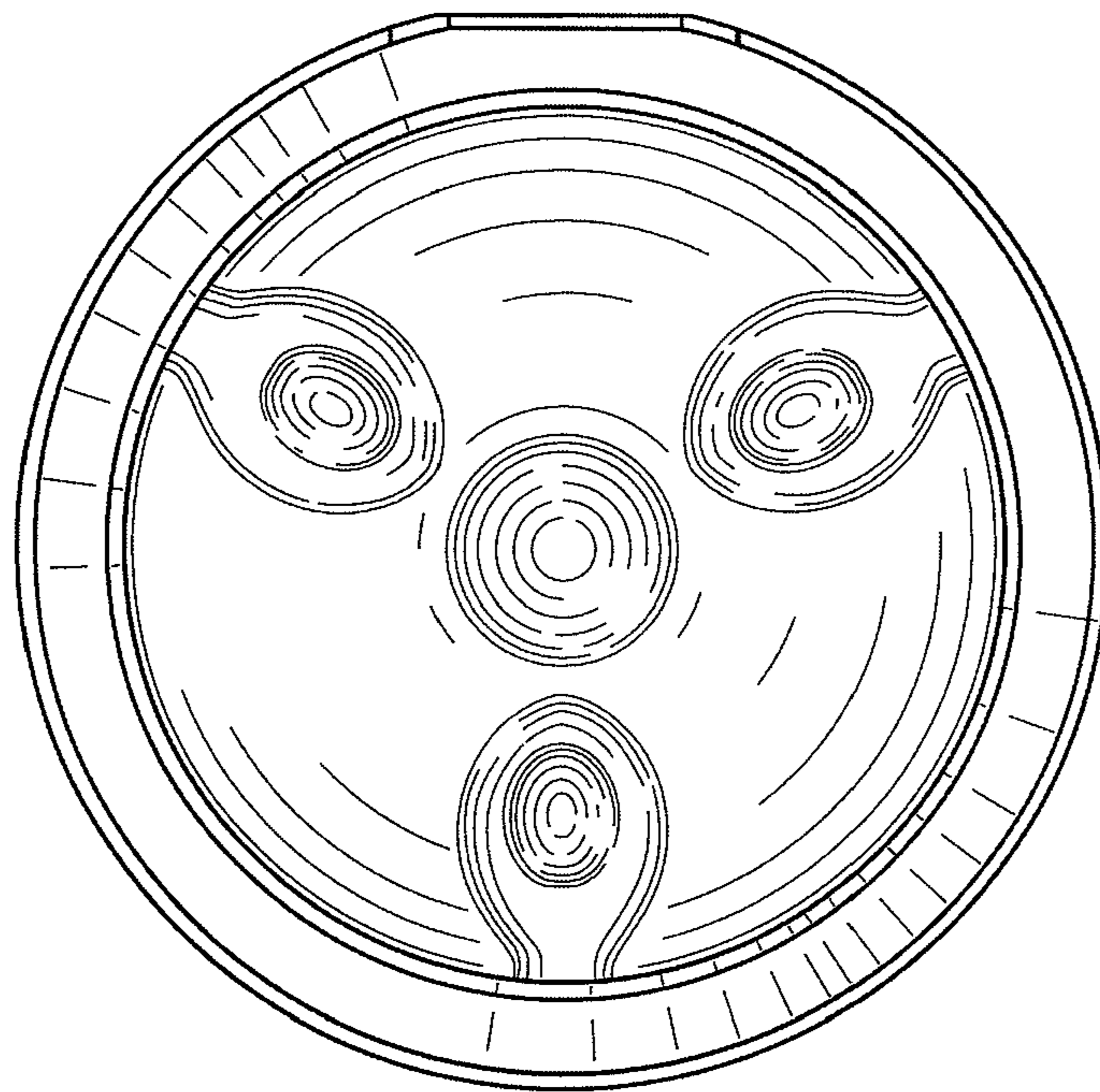


FIG. 2

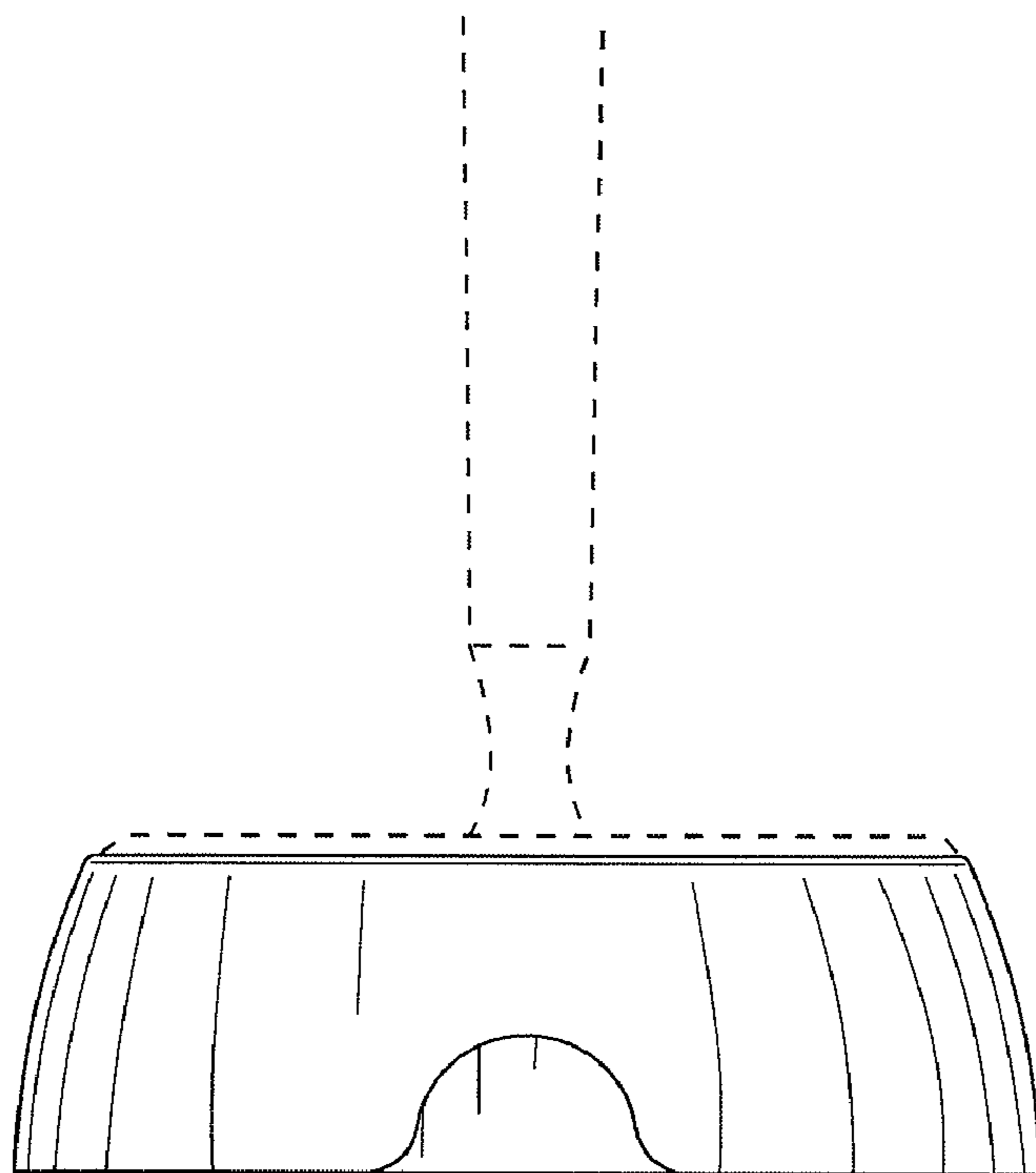


FIG. 3

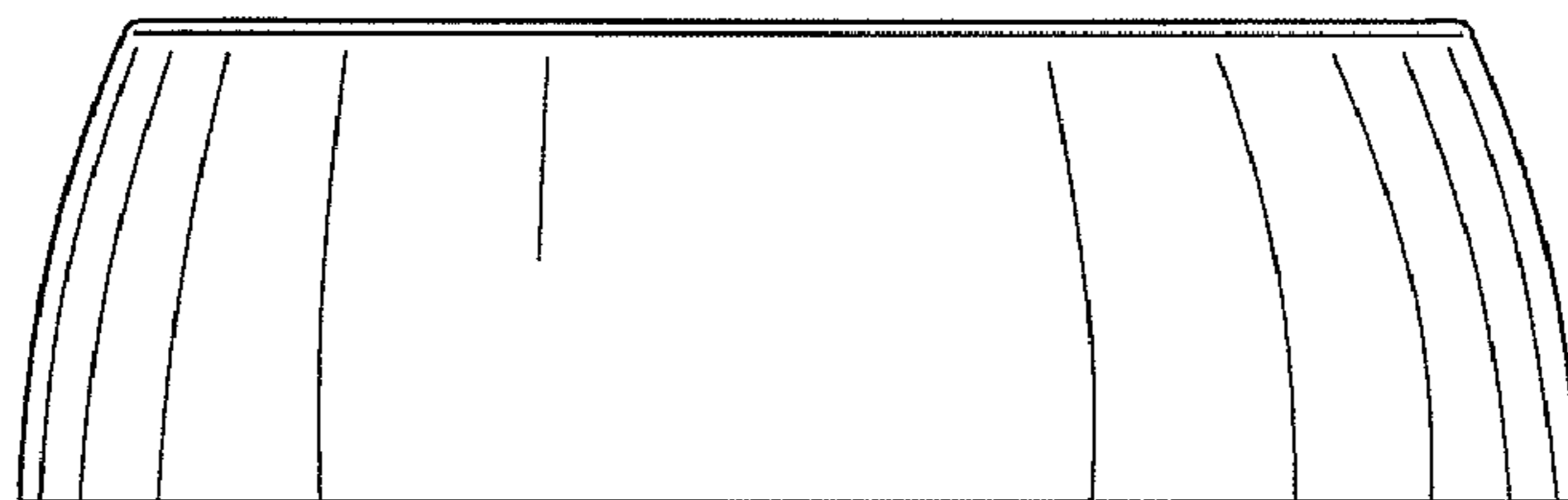


FIG. 4

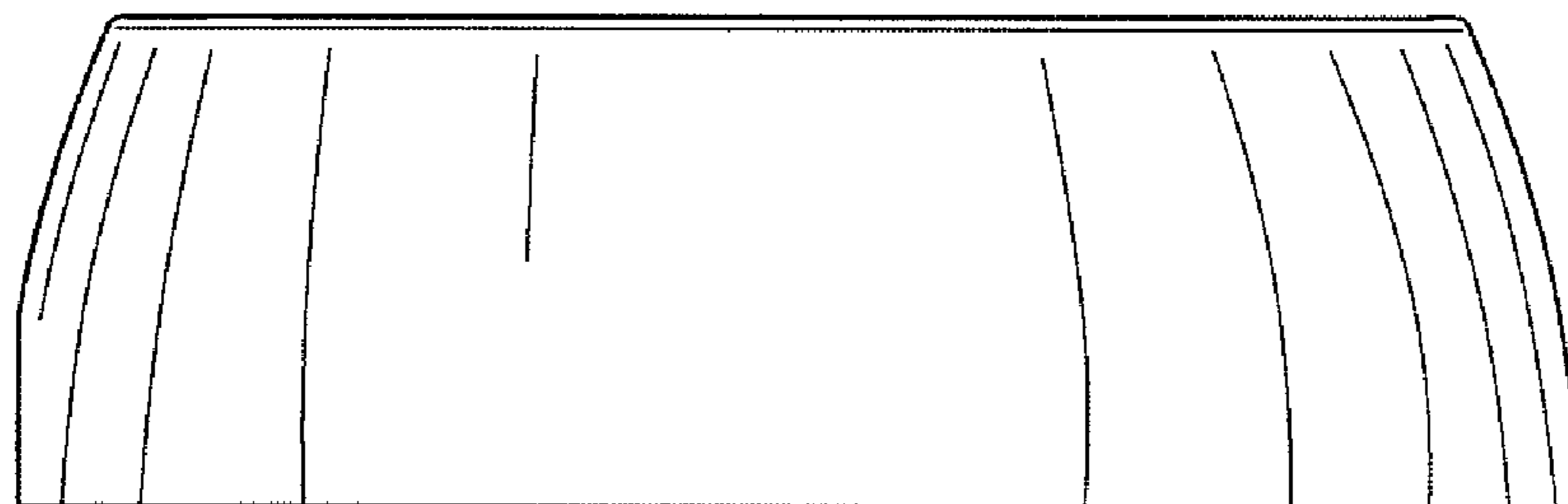


FIG. 5

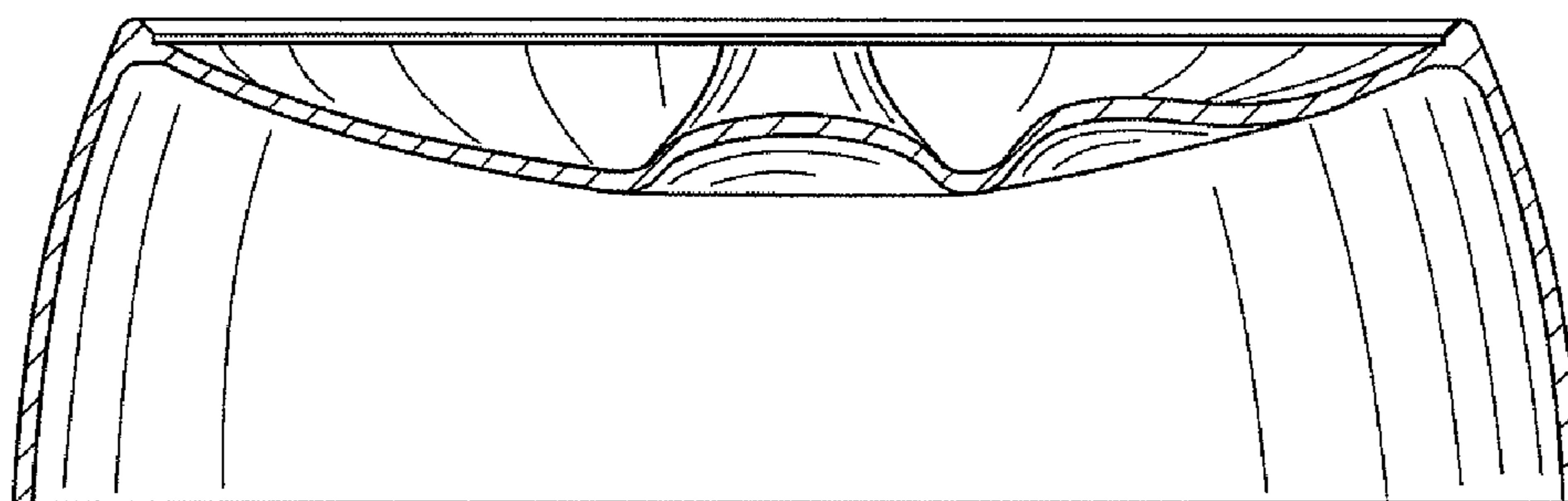


FIG. 6

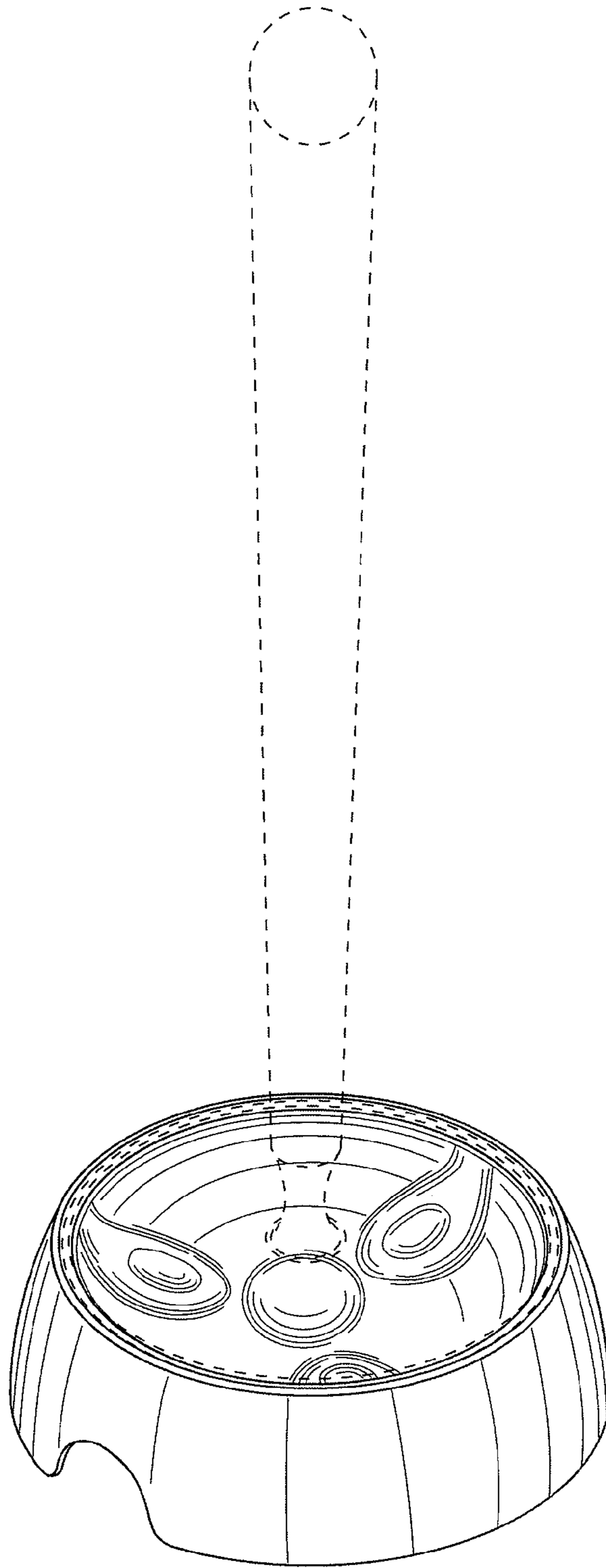


FIG. 7