



US00D608124S

(12) **United States Design Patent**
Sedwick

(10) **Patent No.:** **US D608,124 S**
(45) **Date of Patent:** **** Jan. 19, 2010**

(54) **ACCESSORY POST**

(75) Inventor: **Jennifer P. Sedwick**, Lakewood, OH
(US)

(73) Assignee: **Moen Incorporated**, North Olmsted,
OH (US)

(**) Term: **14 Years**

(21) Appl. No.: **29/269,031**

(22) Filed: **Nov. 17, 2006**

(51) **LOC (9) Cl.** **23-02**

(52) **U.S. Cl.** **D6/524**

(58) **Field of Classification Search** D6/518-524,
D6/546-550; D8/300, 370, 315; 108/28-29;
211/13.1, 16, 85.5, 86.01, 87.01, 88.04, 100,
211/105.1, 105.2, 106, 113, 123, 181.1, 182-183;
248/49, 175, 176.1, 200, 201, 205.1, 251,
248/302, 309.1, 315; 242/570, 590, 595-598
See application file for complete search history.

(56) **References Cited**

U.S. PATENT DOCUMENTS

D144,011 S	2/1946	Van Doren
D163,444 S	5/1951	Crook
D327,196 S	6/1992	Crook et al.
D388,272 S	12/1997	Moore
D388,644 S	1/1998	Chen
D416,419 S	11/1999	Chen
D423,854 S	5/2000	Roth et al.
D435,749 S	1/2001	Ming-Hsiao
D439,091 S	3/2001	Milrud et al.
D439,092 S	3/2001	Wu
D440,092 S	4/2001	Fiegl et al.
D451,324 S	12/2001	Lai
D451,737 S	12/2001	Chen
D451,738 S	12/2001	Yeh

D454,459 S	3/2002	Meck et al.	
D465,116 S	11/2002	Chen	
D468,145 S	1/2003	Ouyoung	
D492,151 S	* 6/2004	Chen	D6/524
D516,356 S	* 3/2006	Sedwick	D6/550
D519,766 S	* 5/2006	Gilbert	D6/524
D532,638 S	* 11/2006	Berberet et al.	D6/550
D557,049 S	* 12/2007	Sedwick et al.	D6/524
D596,887 S	* 7/2009	Sedwick	D6/550

* cited by examiner

Primary Examiner—Brian N Vinson

(74) *Attorney, Agent, or Firm*—Calfee, Halter & Griswold
LLP

(57) **CLAIM**

The ornamental design for an accessory post, as shown and described.

DESCRIPTION

FIG. 1 is a perspective view of an accessory post of the new design;

FIG. 2 is a front elevational view of the accessory post of FIG. 1;

FIG. 3 is a rear elevational view of the accessory post of FIG. 1;

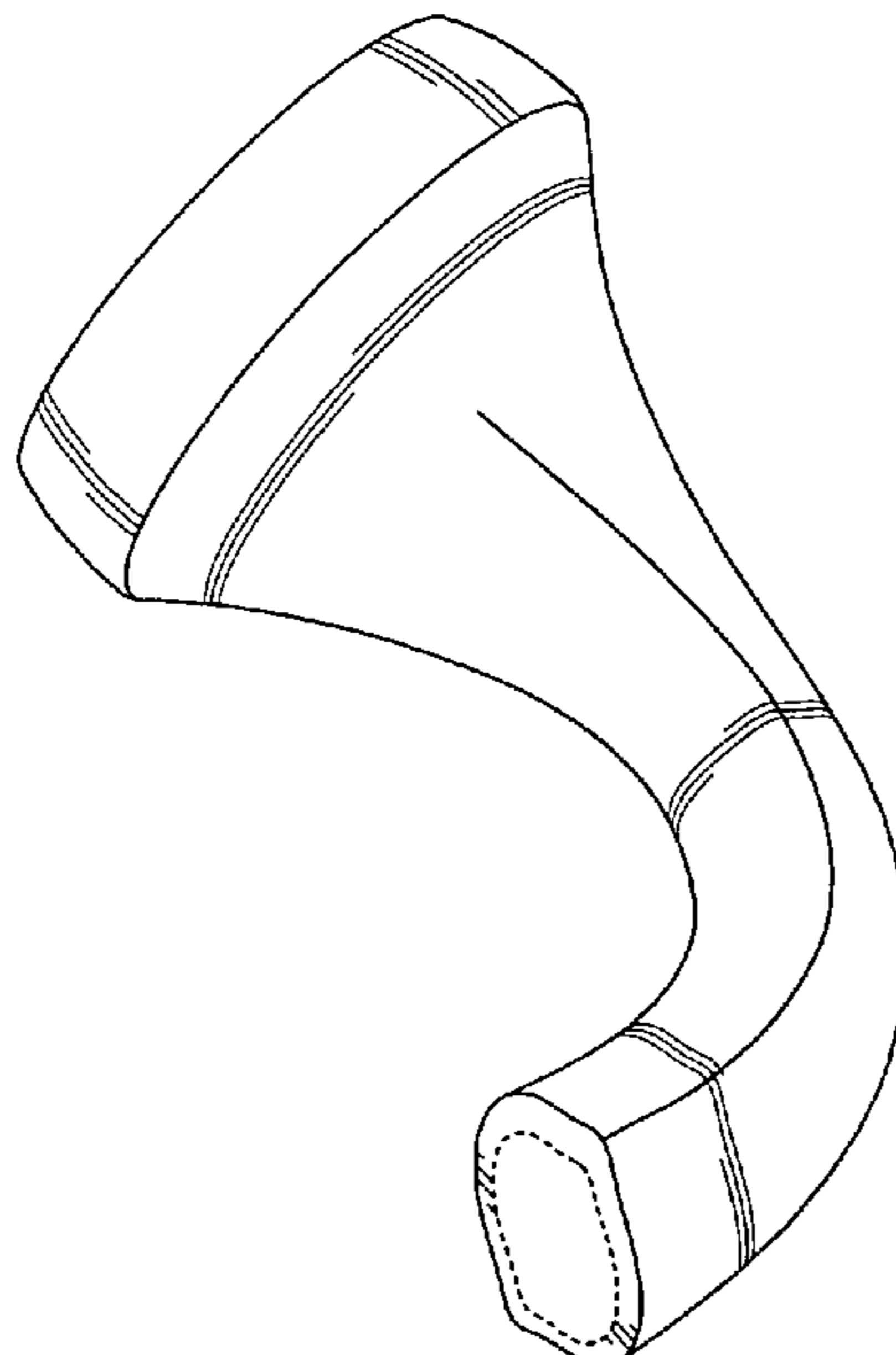
FIG. 4 is a left side elevational view of the accessory post of FIG. 1;

FIG. 5 is a right side elevational view of the accessory post of FIG. 1;

FIG. 6 is a top plan view of the accessory post of FIG. 1; and,
FIG. 7 is a bottom plan view of the accessory post of FIG. 1.

The portions of the Figures shown in broken lines are not part of the claimed design and are for illustration only.

1 Claim, 3 Drawing Sheets



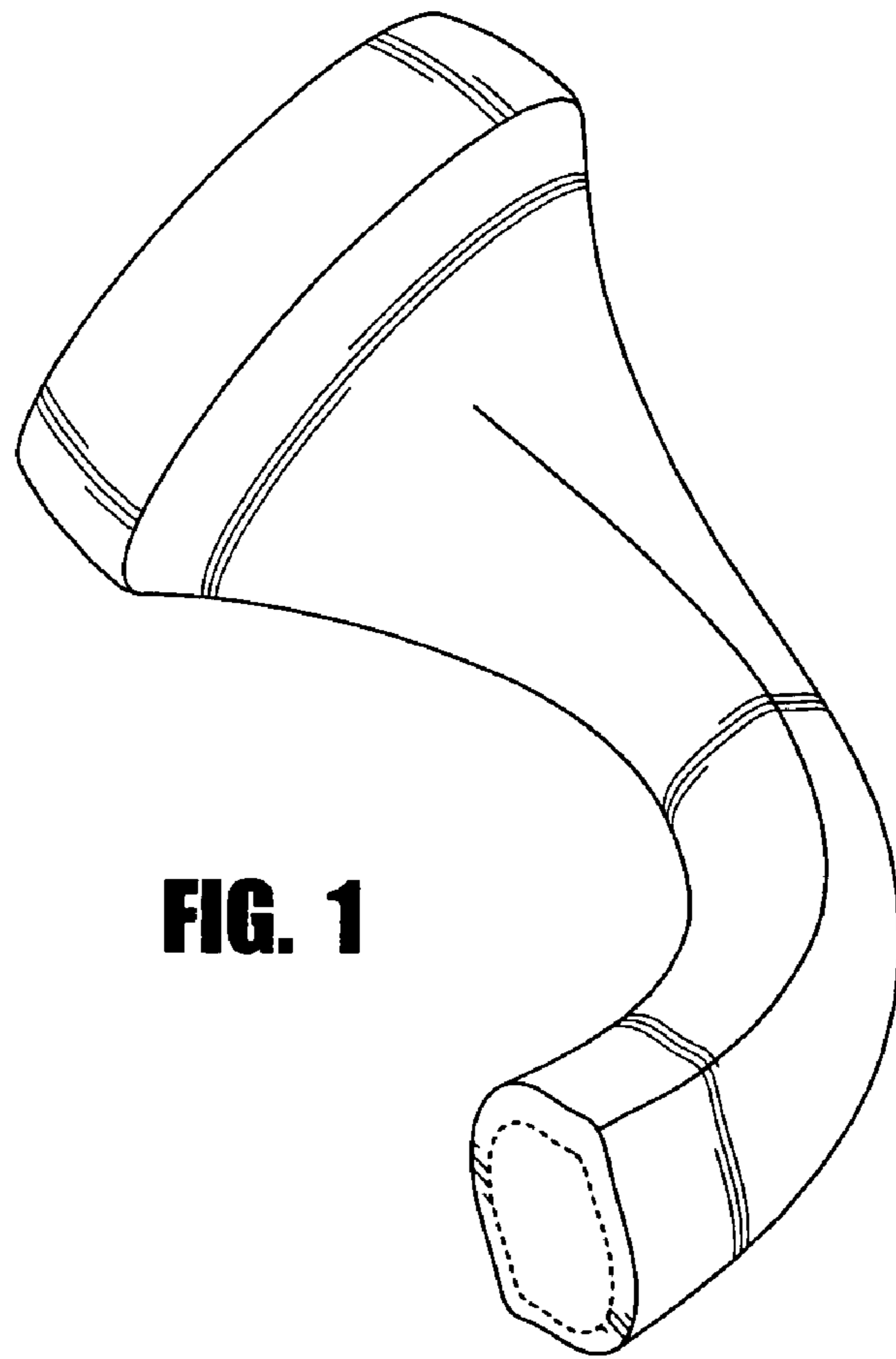


FIG. 1

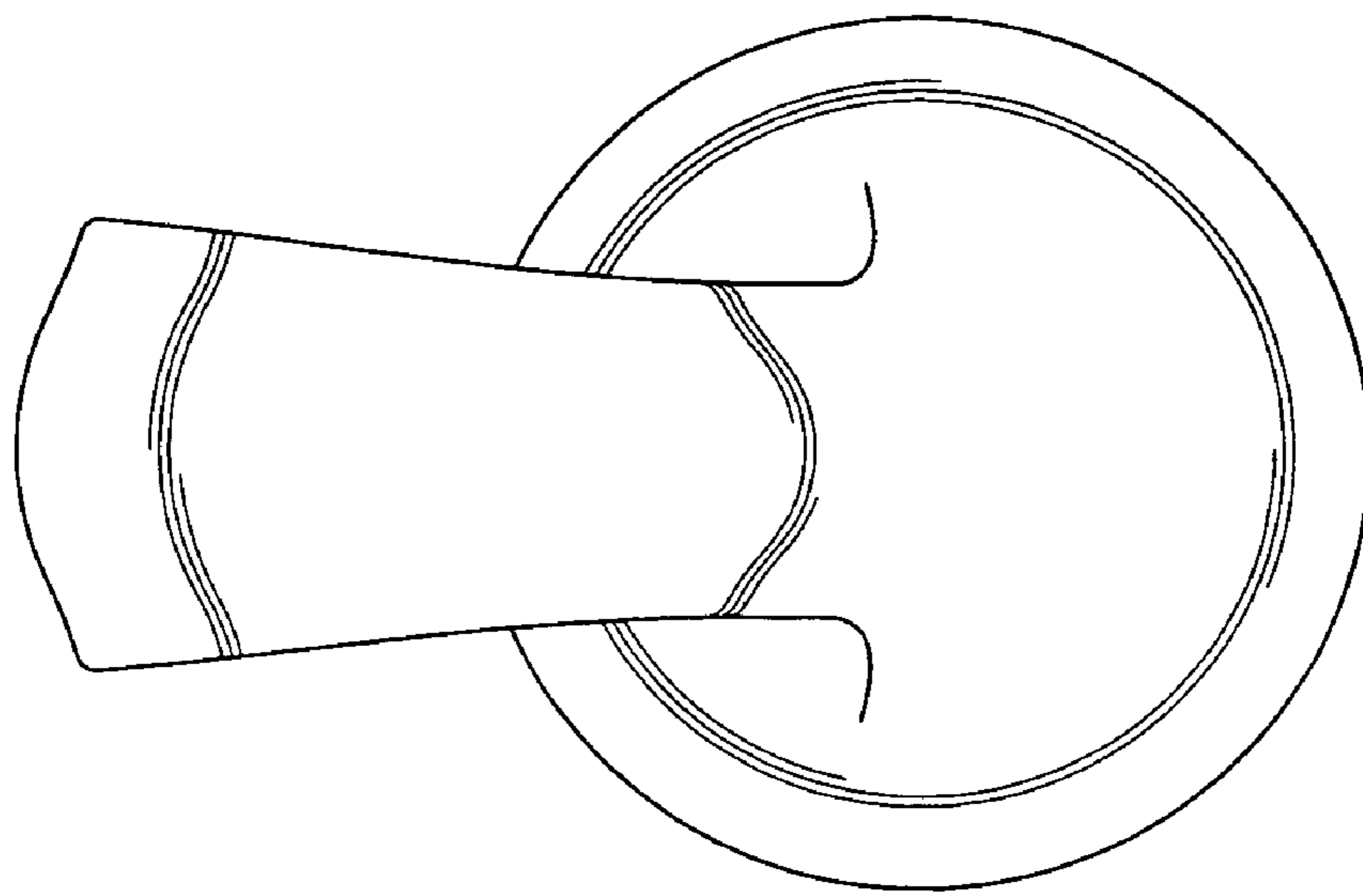


FIG. 2

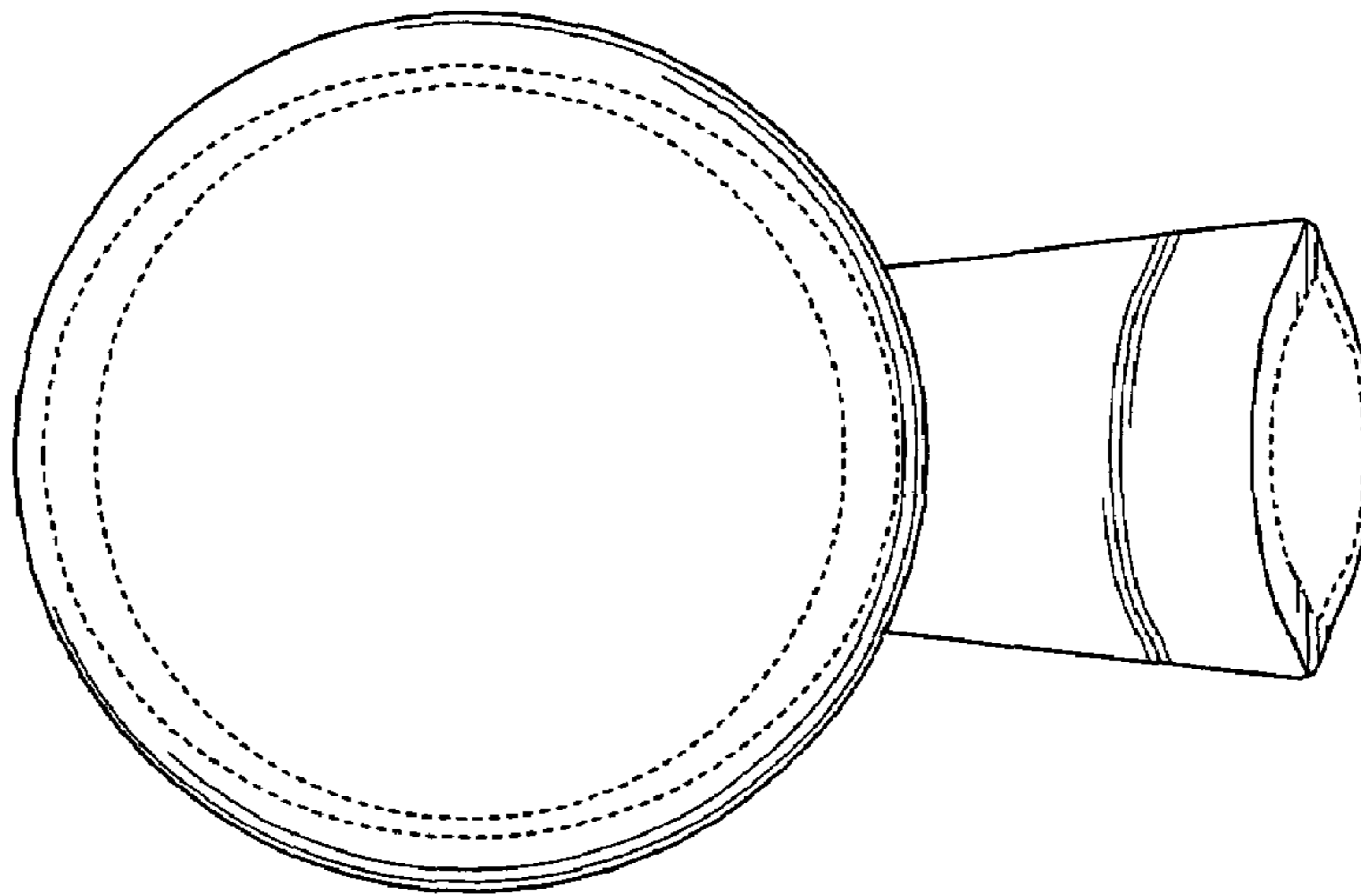


FIG. 3

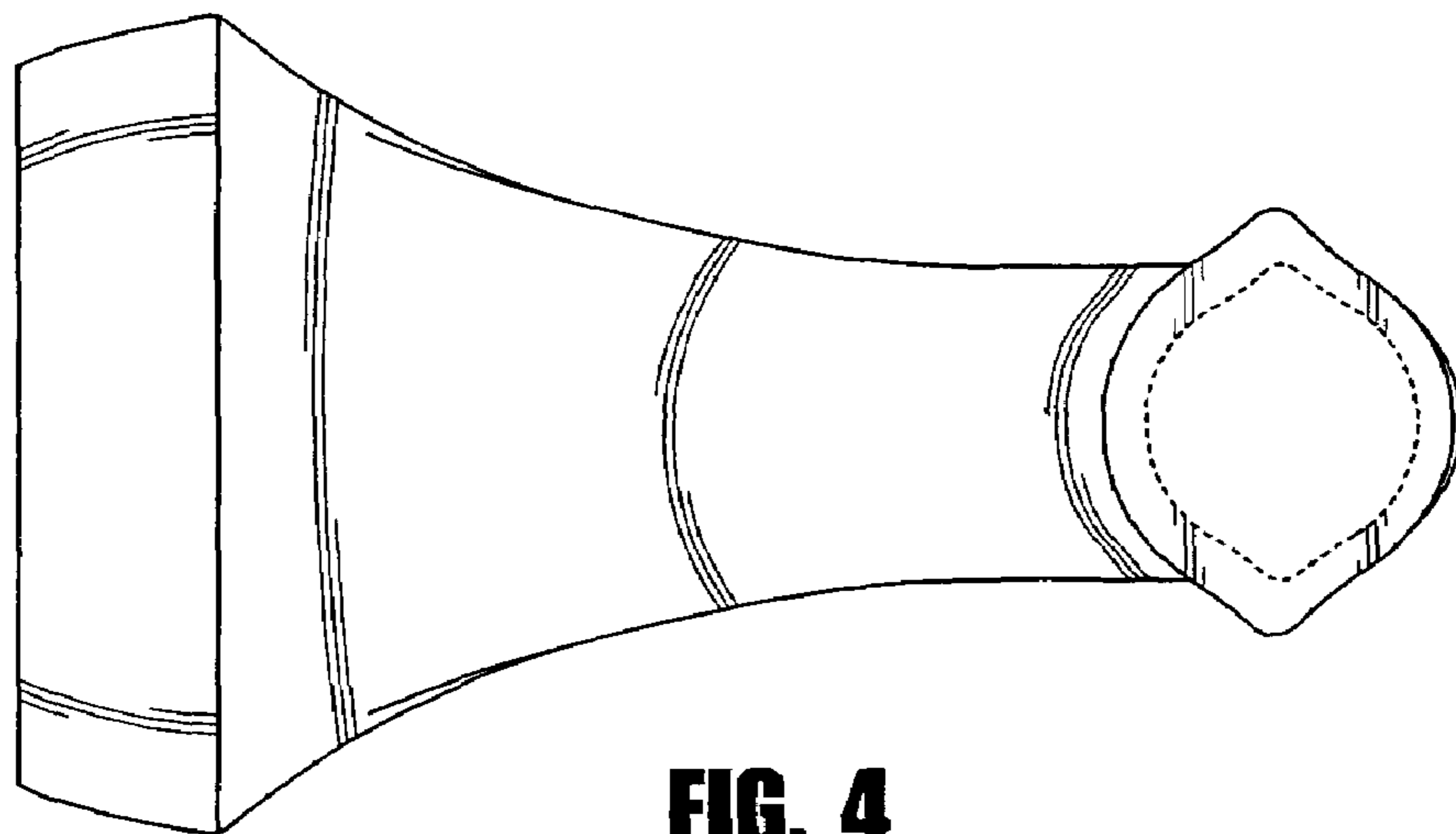


FIG. 4

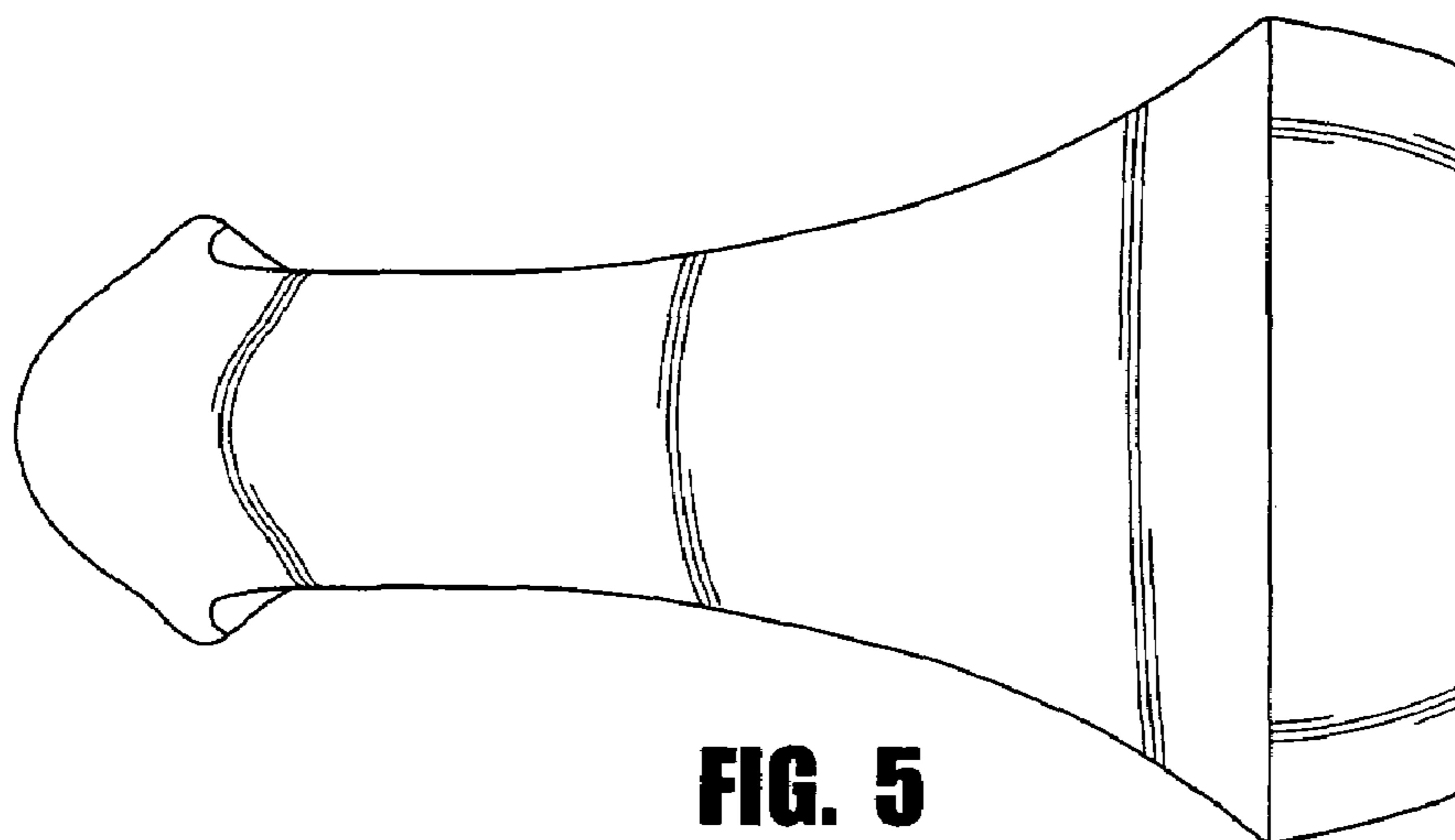


FIG. 5

