



US00D608120S

(12) **United States Design Patent**  
**Smith et al.**

(10) **Patent No.:** **US D608,120 S**  
(45) **Date of Patent:** **\*\* Jan. 19, 2010**

(54) **PATIO TABLE**

(76) Inventors: **Dale M. Smith**, 325 E. Hamilton Rd.,  
Deshler, OH (US) 43516; **Diana M. Smith**, 325 E. Hamilton Rd., Deshler,  
OH (US) 43516

(\*\*) Term: **14 Years**

(21) Appl. No.: **29/302,652**

(22) Filed: **Jan. 22, 2008**

(51) **LOC (9) Cl.** ..... **06-03**

(52) **U.S. Cl.** ..... **D6/486; D6/397**

(58) **Field of Classification Search** ..... D6/480-489,  
D6/495-499, 450, 451, 429-431; 108/150,  
108/153.1, 155, 156, 161, 50.01, 50.02, 50.12;  
248/188, 188.1, 188.8

See application file for complete search history.

(56) **References Cited**

**U.S. PATENT DOCUMENTS**

- D93,968 S \* 12/1934 Brower ..... D6/486
- 2,799,543 A \* 7/1957 Tomaselli ..... 108/50.12
- D338,359 S \* 8/1993 Sorenson ..... D6/486
- D350,643 S 9/1994 DeMarco
- D383,900 S 9/1997 Bart
- D387,585 S \* 12/1997 Shields ..... D6/486
- 5,871,024 A 2/1999 Vanderminden, Sr.

- D436,270 S \* 1/2001 Kane ..... D6/486
- 6,298,866 B1 10/2001 Molner, IV
- 6,561,178 B1 5/2003 Hayes
- 6,637,717 B2 10/2003 Li
- 6,651,682 B1 11/2003 Woodward
- D482,909 S \* 12/2003 Neggers ..... D6/486

\* cited by examiner

*Primary Examiner*—Janice E Seeger

(74) *Attorney, Agent, or Firm*—Fraser Clemens Martin &  
Miller LLC; J. Douglas Miller

(57) **CLAIM**

The ornamental design for a patio table, as shown and described.

**DESCRIPTION**

FIG. 1 is a top perspective view of a patio table incorporating our new design;

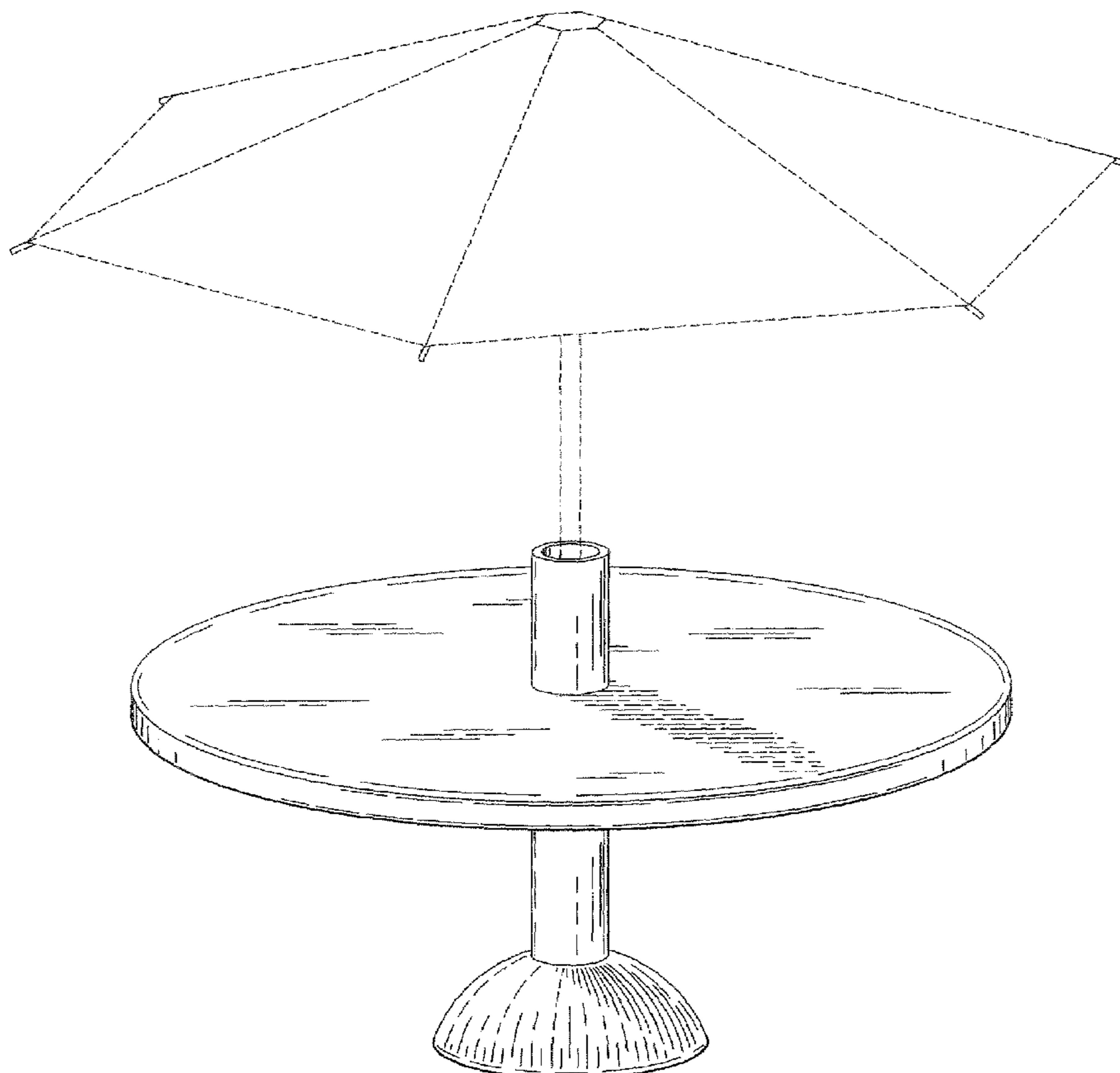
FIG. 2 is a top plan view of the patio table illustrated in FIG. 1;

FIG. 3 is a side elevational view thereof; and,

FIG. 4 is a bottom plan view thereof.

The ornamental design which is claimed is shown in solid lines in the drawings. The broken lines in the drawings are for illustrative purposes only.

**1 Claim, 4 Drawing Sheets**



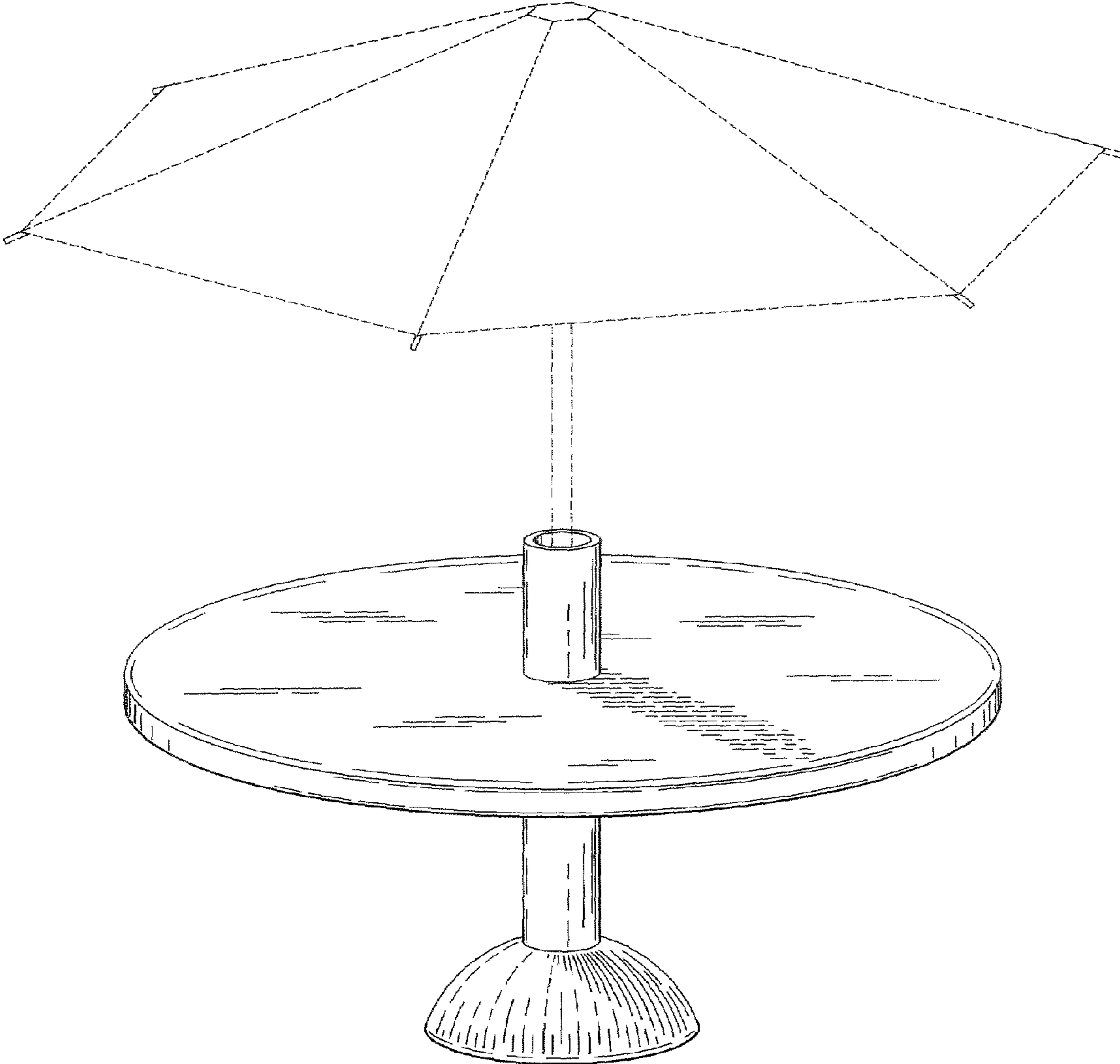


FIG. 1

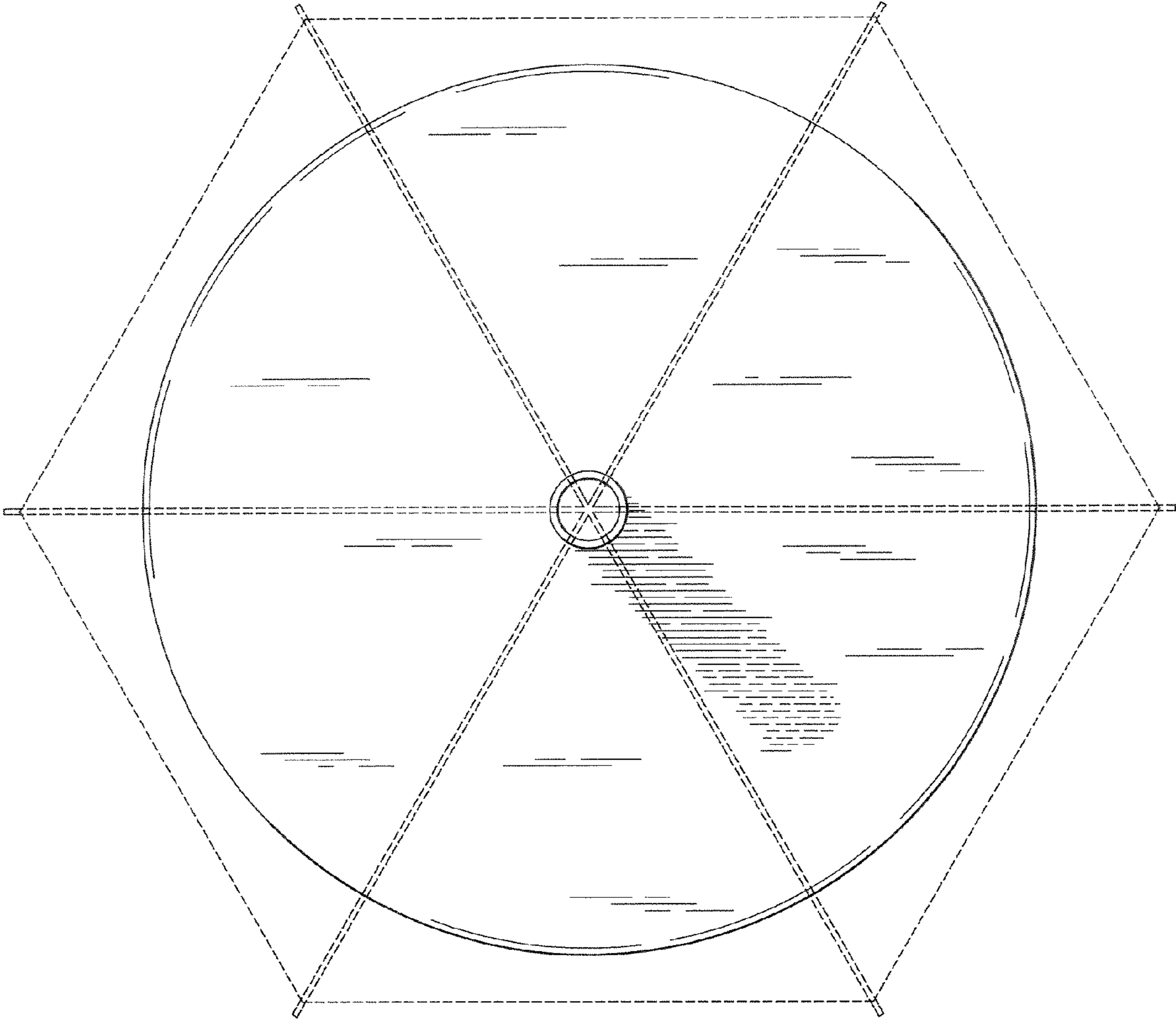


FIG. 2

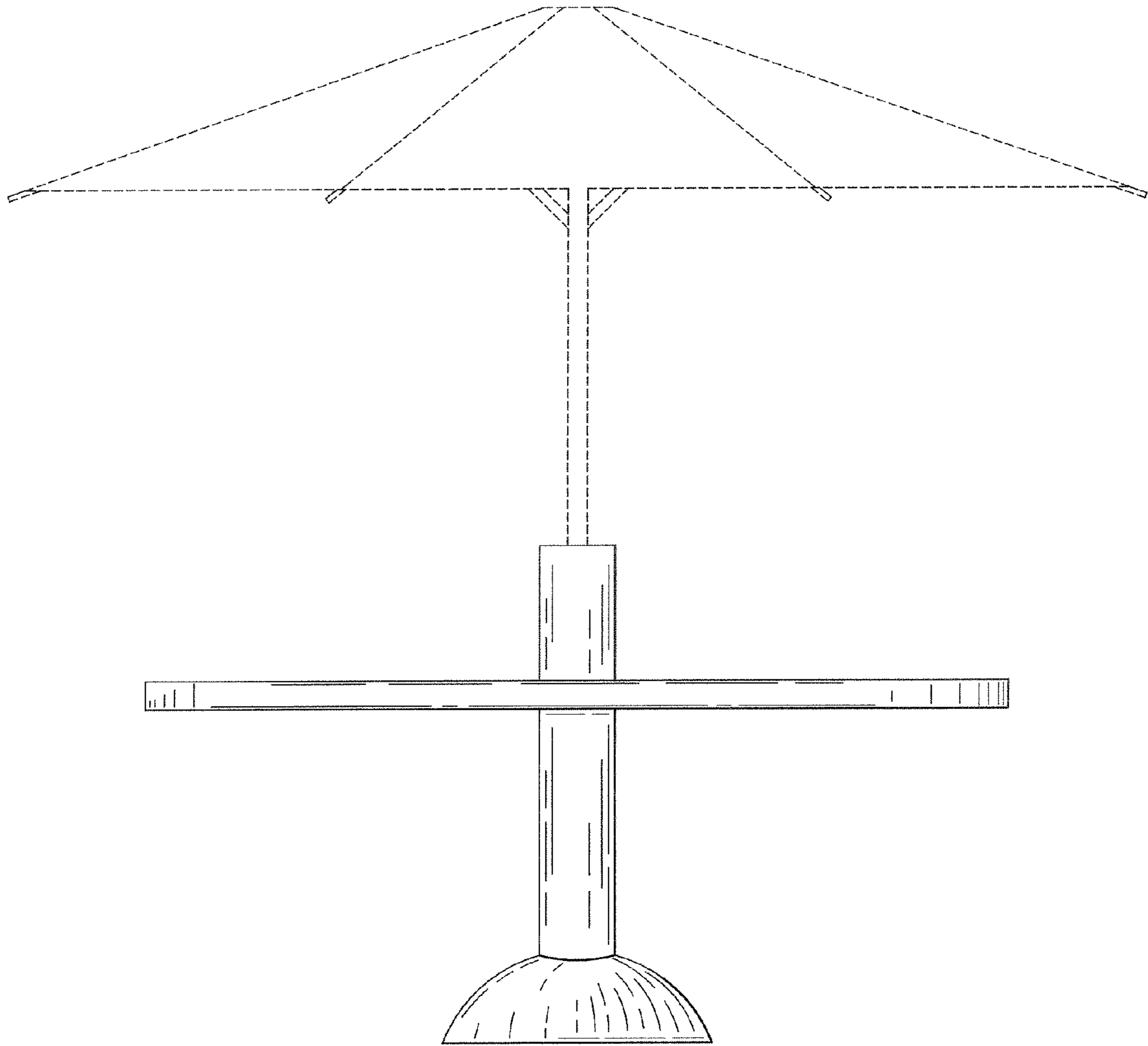


FIG. 3

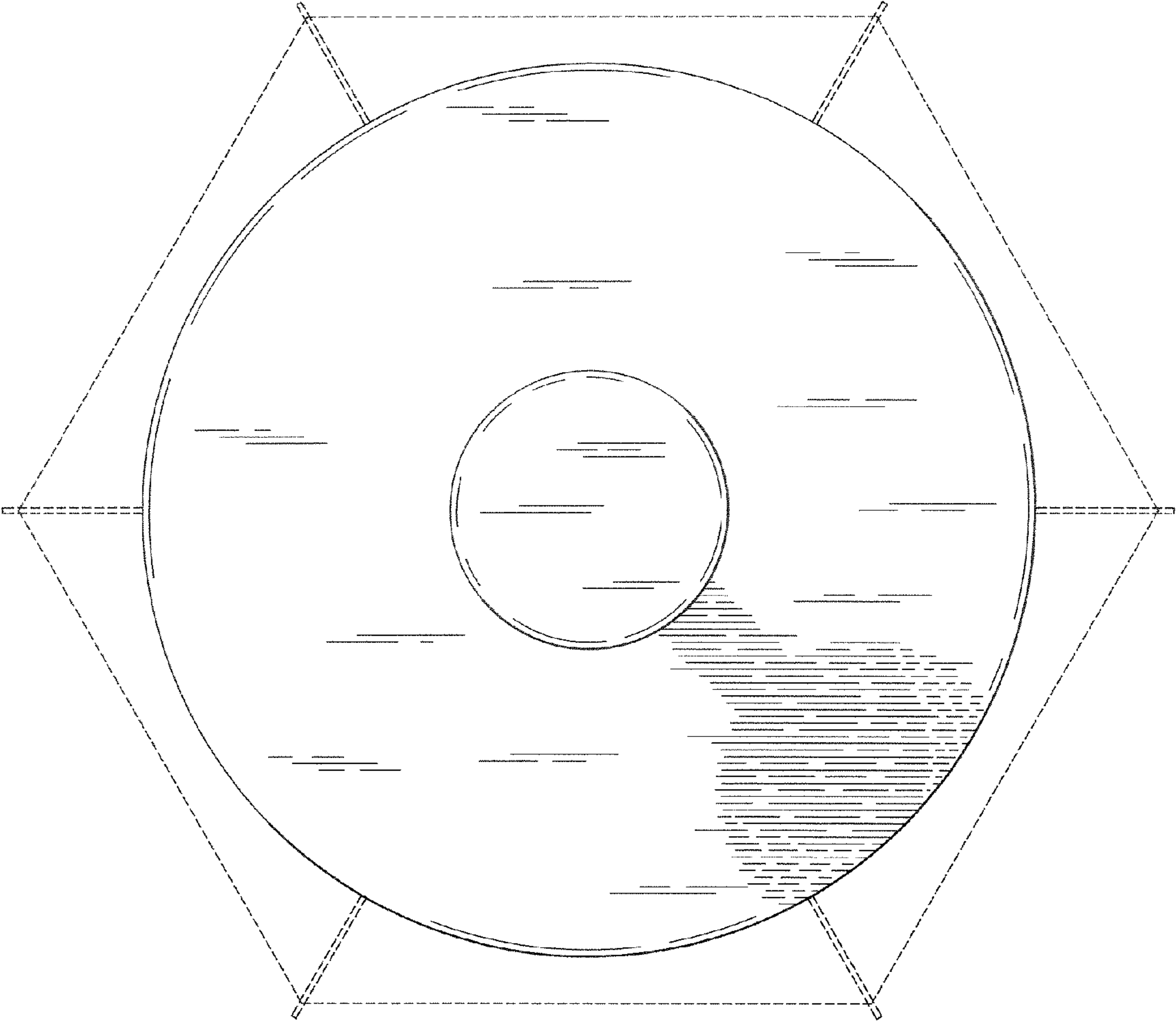


FIG. 4