



US00D608117S

(12) **United States Design Patent**
Pini

(10) **Patent No.:** **US D608,117 S**
(45) **Date of Patent:** **** Jan. 19, 2010**

- (54) **TABLE**
- (75) Inventor: **Belisario Pini**, Florence (IT)
- (73) Assignee: **Steab S.p.A.**, Florence (IT)
- (**) Term: **14 Years**
- (21) Appl. No.: **29/327,591**
- (22) Filed: **Nov. 10, 2008**
- (51) **LOC (9) Cl.** **06-03**
- (52) **U.S. Cl.** **D6/480; D6/488**
- (58) **Field of Classification Search** D6/480-489,
D6/495-499, 429-431, 349; 108/153.1,
108/155, 156, 161; 248/188, 188.1, 188.8
See application file for complete search history.

(56) **References Cited**

U.S. PATENT DOCUMENTS

- D217,474 S * 5/1970 Craddock D6/485
- D283,863 S * 5/1986 Bergelin D6/477

- D402,141 S * 12/1998 Luong et al. D6/488
- D411,393 S * 6/1999 Mendoza D6/480
- D557,943 S * 12/2007 Thompson D6/487

* cited by examiner

Primary Examiner—Janice E Seeger
(74) *Attorney, Agent, or Firm*—McGlew and Tuttle, P.C.

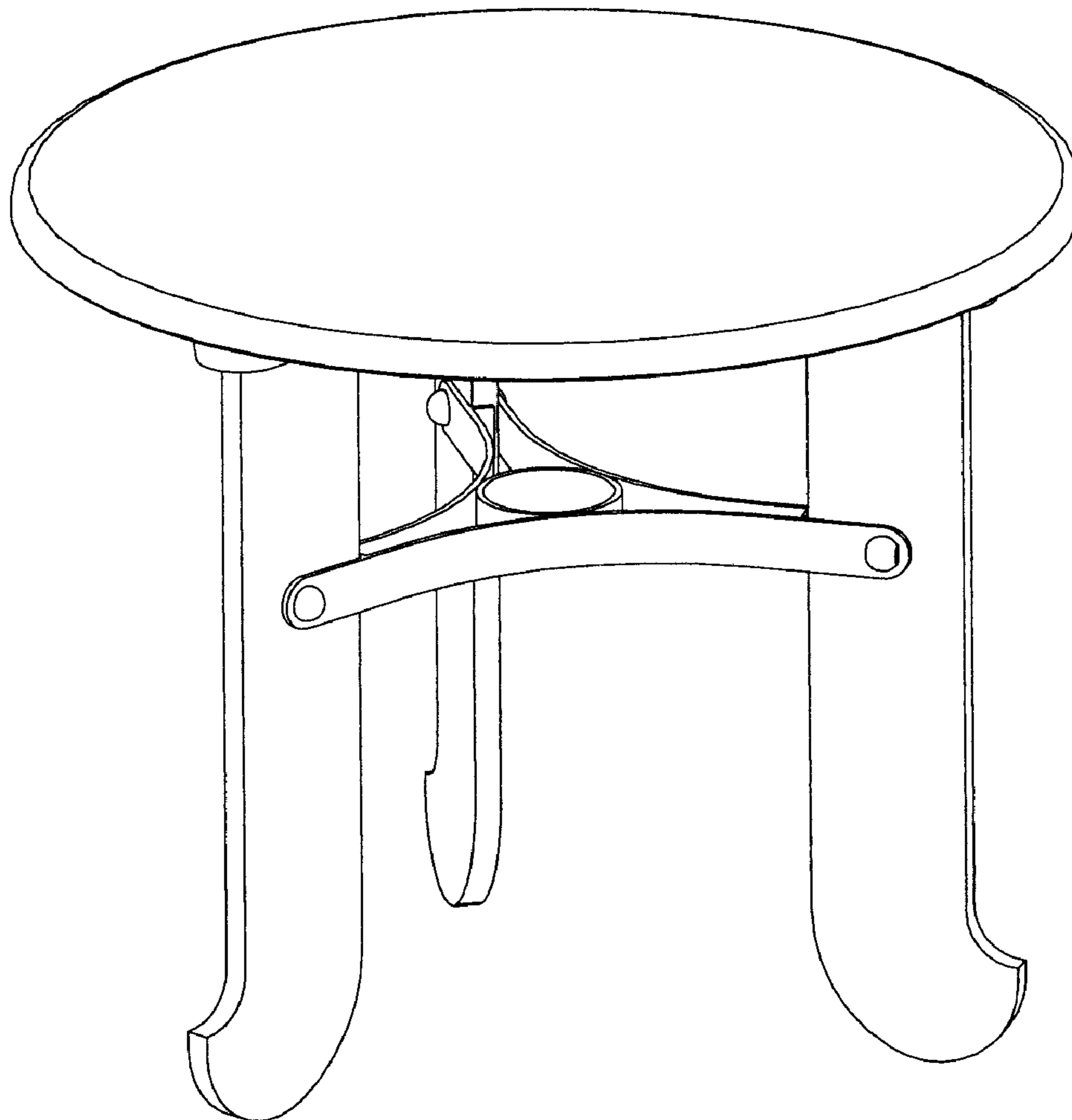
(57) **CLAIM**

The ornamental design for a table, as shown and described.

DESCRIPTION

FIG. 1 is a perspective view of my table design;
FIG. 2 is a top view thereof;
FIG. 3 is a bottom view thereof;
FIG. 4 is a side view thereof;
FIG. 5 is another side view thereof; and,
FIG. 6 is yet another side view thereof.

1 Claim, 6 Drawing Sheets



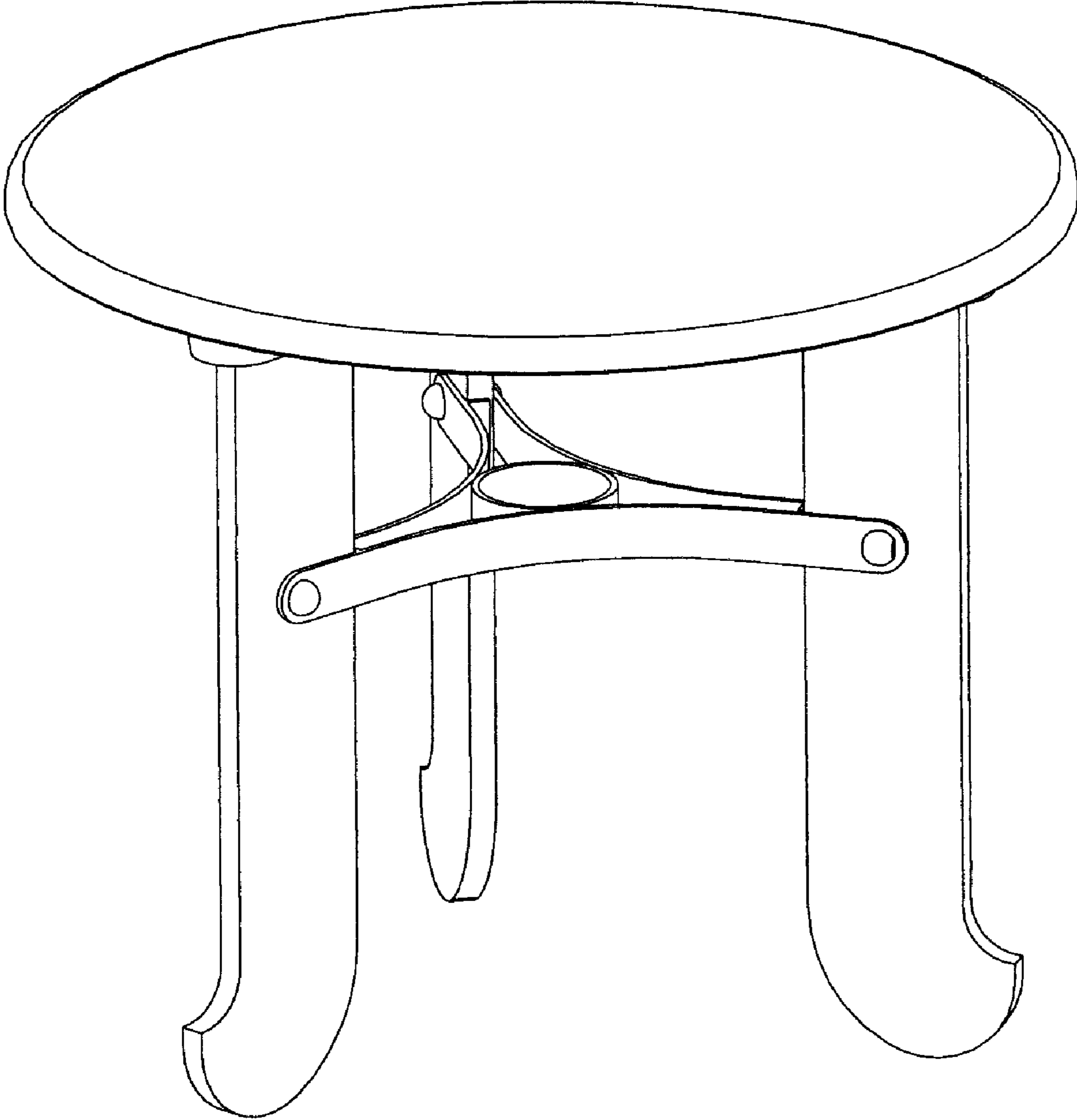


FIG.1

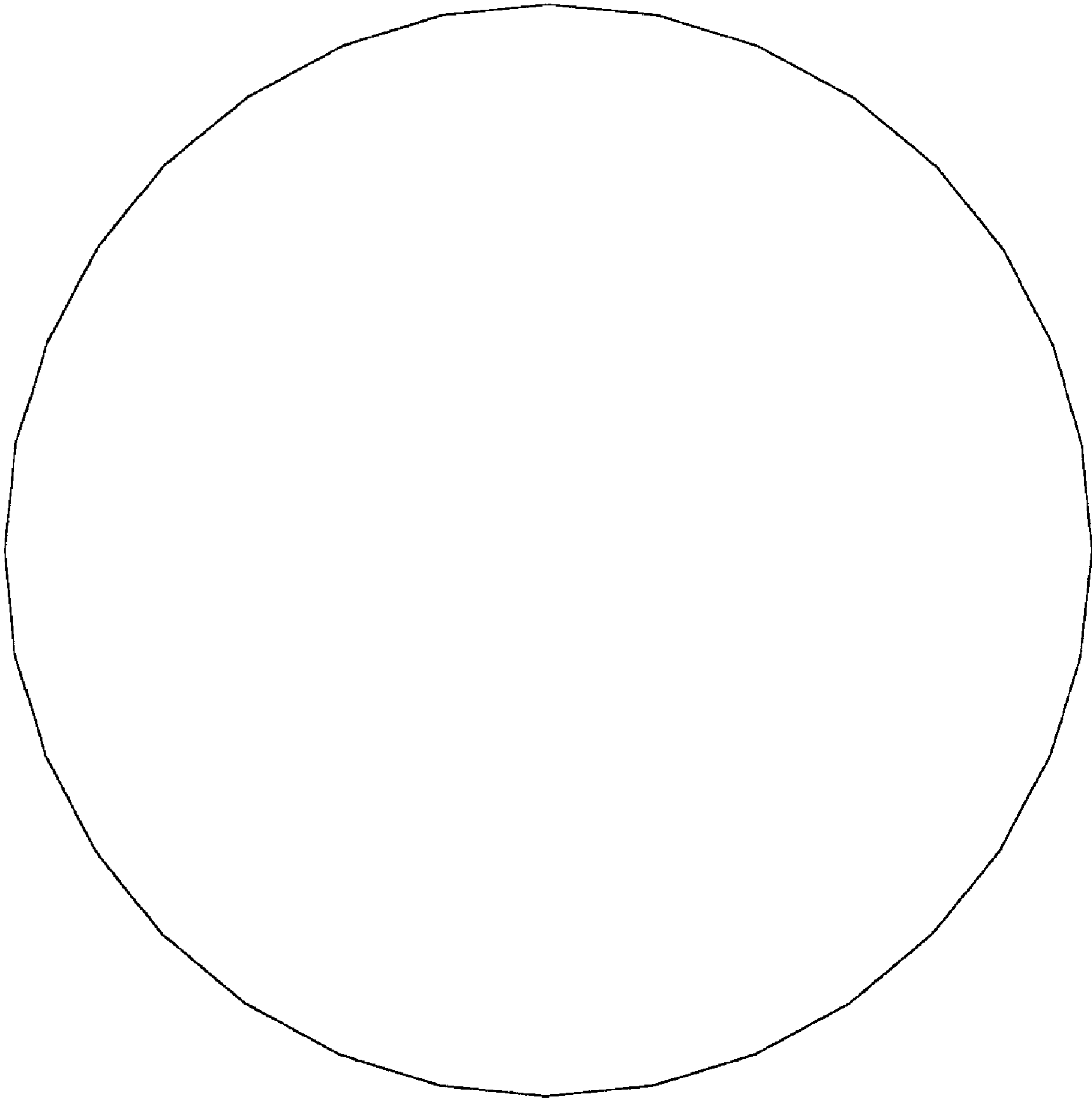


FIG. 2

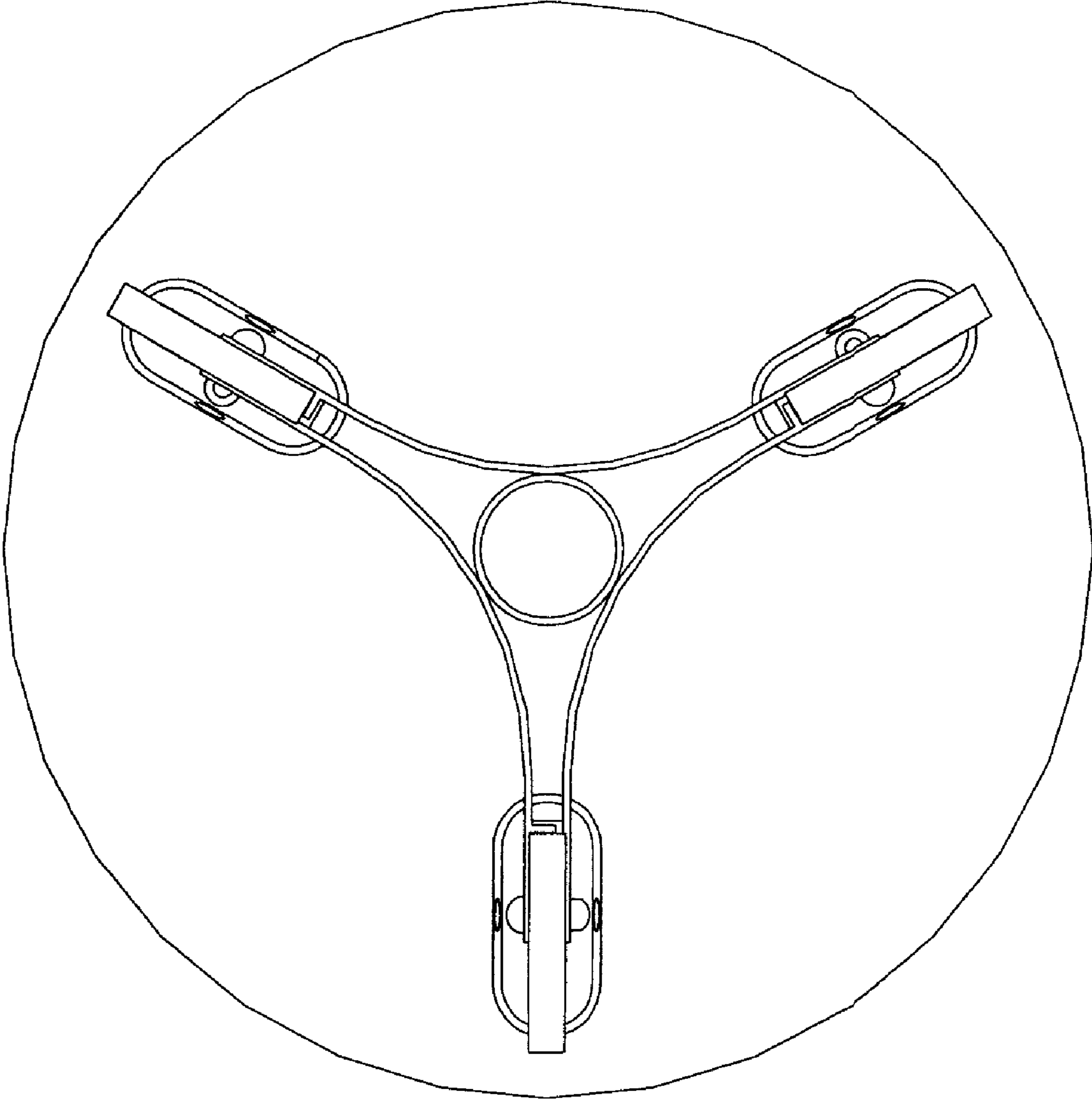


FIG.3

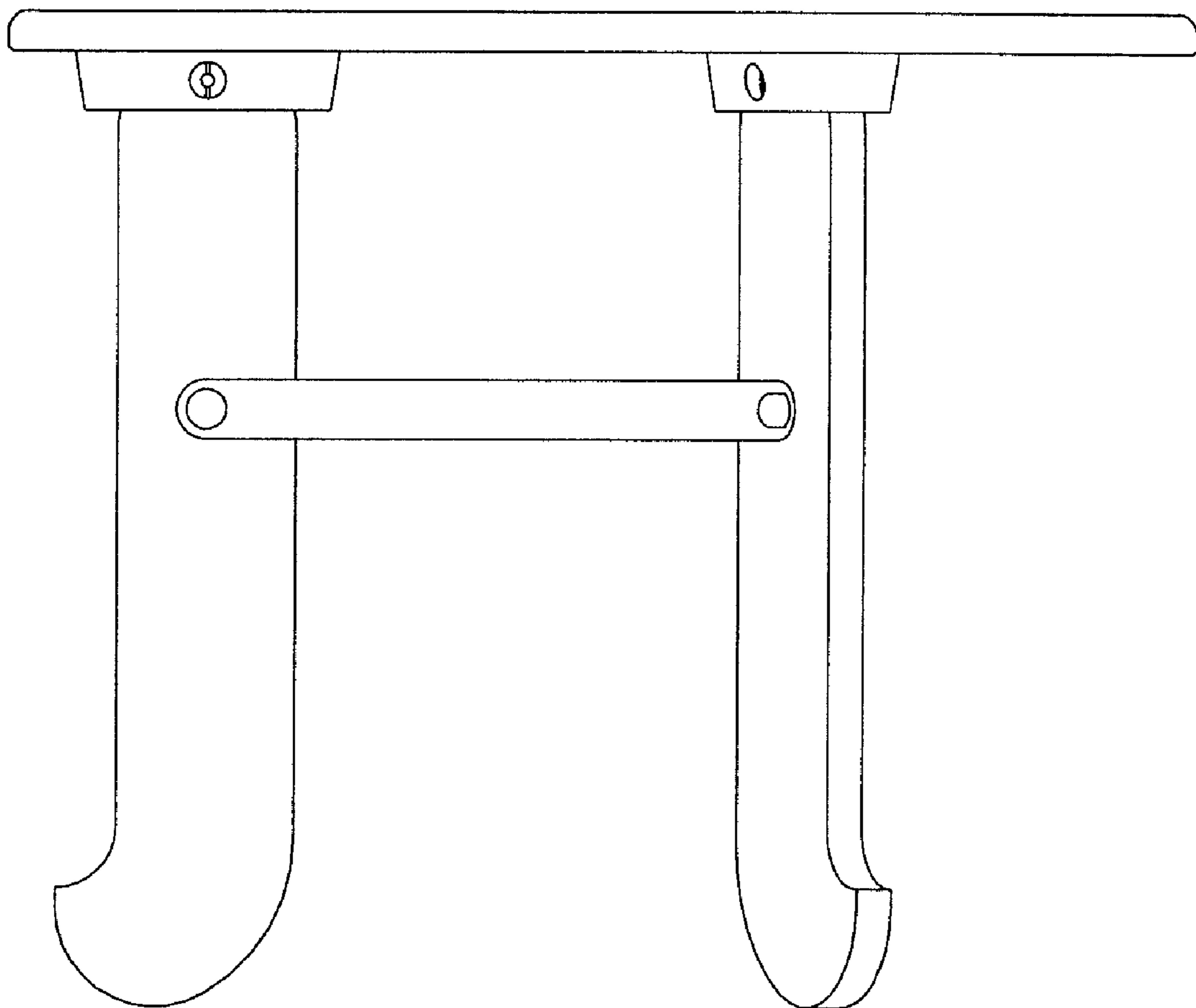


FIG.4

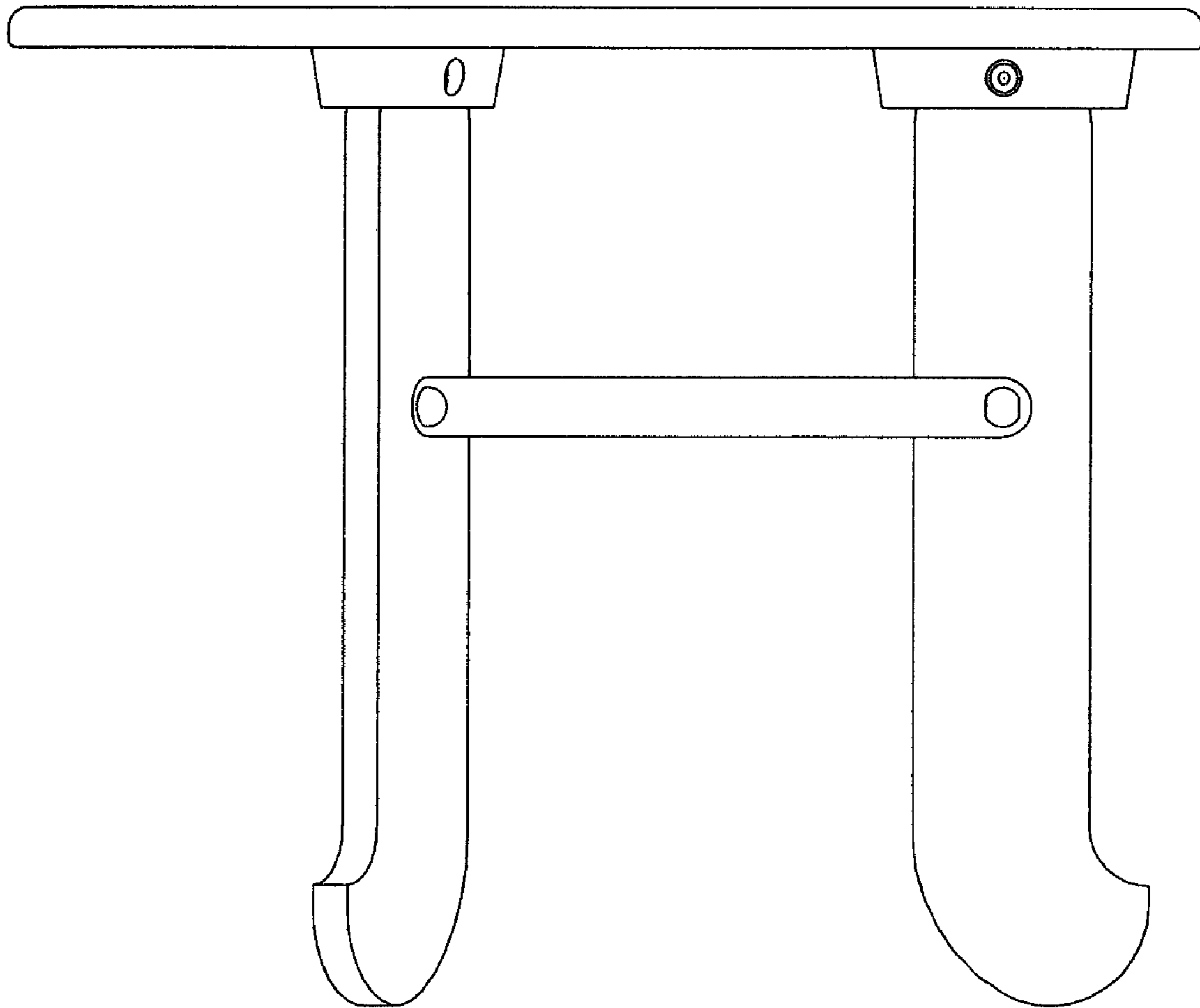


FIG. 5

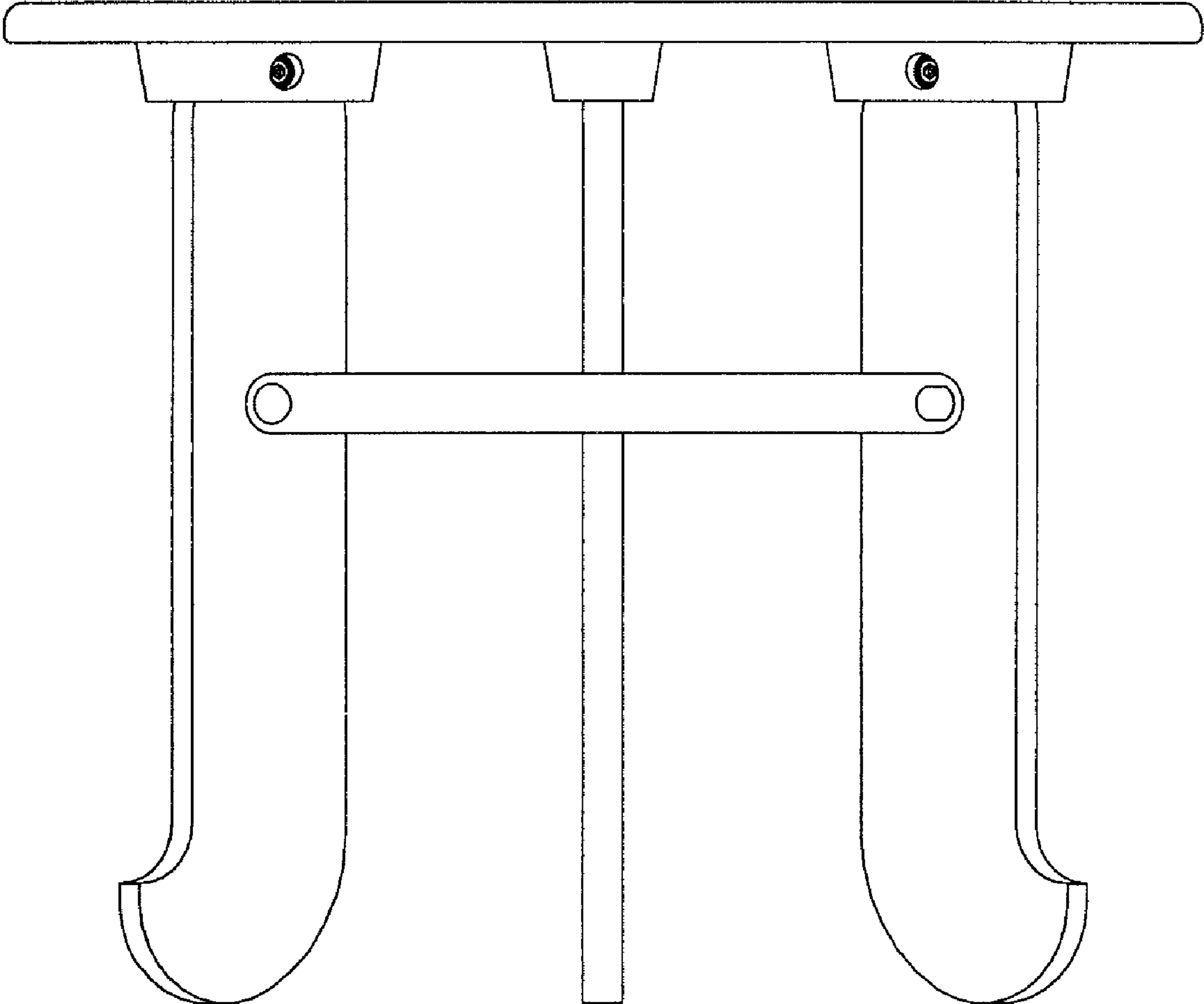


FIG.6