



US00D608115S

(12) **United States Design Patent**
Trinh et al.

(10) **Patent No.:** **US D608,115 S**
(45) **Date of Patent:** **** Jan. 19, 2010**

(54) **DISPLAY APPARATUS**

(75) Inventors: **Nick Quang Trinh**, Minneapolis, MN (US); **Jeffrey P. Pirro**, Marcellus, NY (US); **Matthew W. Farrell**, Syracuse, NY (US)

(73) Assignee: **Target Brands, Inc.**, Minneapolis, MN (US)

(**) Term: **14 Years**

(21) Appl. No.: **29/344,010**

(22) Filed: **Sep. 22, 2009**

(51) **LOC (9) Cl.** **06-04**

(52) **U.S. Cl.** **D6/477**

(58) **Field of Classification Search** D6/464, D6/449, 455, 457, 470-472, 474-475, 477, D6/567; 108/107, 144.11, 149, 59, 161, 108/108; 312/107, 114; 211/59.4, 134, 69, 211/186-192

See application file for complete search history.

(56) **References Cited**

U.S. PATENT DOCUMENTS

D322,523 S	12/1991	Brooks et al.	
D342,398 S	12/1993	Lemmerman et al.	
D344,419 S	2/1994	Stoddard	
D351,076 S	10/1994	Eliadis et al.	
D352,198 S	11/1994	Wright et al.	
D364,289 S	11/1995	Gerber	
D367,372 S *	2/1996	Eng et al.	D6/396
D369,040 S *	4/1996	Lechleiter et al.	D6/468
D402,131 S *	12/1998	Anderson et al.	D6/408
5,979,677 A	11/1999	Simpson, II et al.	
D421,348 S *	3/2000	Pierson	D6/436
D426,727 S	6/2000	Rummler et al.	
6,170,678 B1	1/2001	de la Fuente	
D439,436 S *	3/2001	Stern	D6/409
D440,335 S	4/2001	Kuo	
D441,583 S	5/2001	Schmidt	
D461,334 S	8/2002	Johnson et al.	
6,450,106 B2	9/2002	McIntyre	

D468,934 S	1/2003	Dienstmann	
D496,053 S *	9/2004	Wetzel	D15/79
D500,419 S *	1/2005	Sparkowski	D6/465
D537,655 S	3/2007	Hessell	
D538,556 S	3/2007	Arias	
D547,569 S	7/2007	Yan	
D557,629 S	12/2007	Maes	
D559,013 S	1/2008	McLaughlin et al.	
D572,045 S *	7/2008	Weigand	D6/468
D575,532 S	8/2008	Whetman	

(Continued)

Primary Examiner—Elizabeth A Albert
Assistant Examiner—Kelley A Donnelly
(74) *Attorney, Agent, or Firm*—Fish & Richardson P.C.

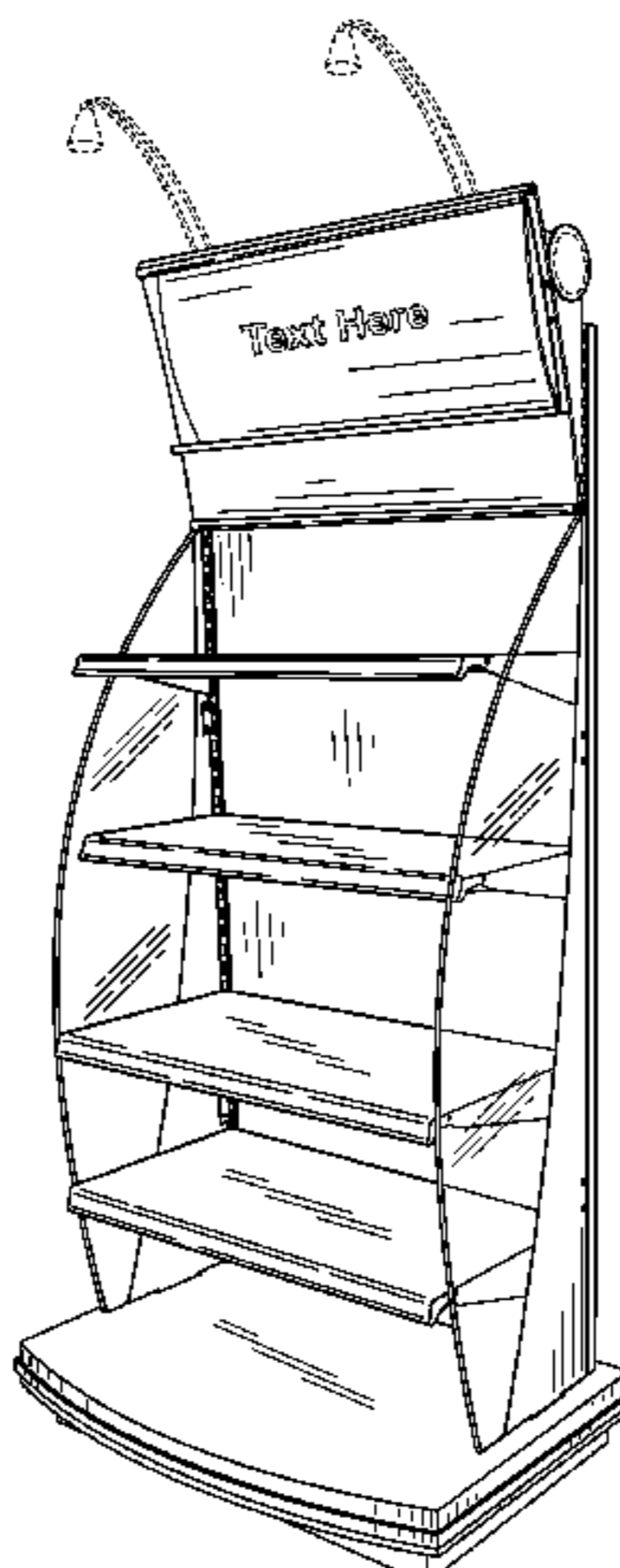
(57) **CLAIM**

The ornamental design for a display apparatus, substantially as shown and described.

DESCRIPTION

FIG. 1 is a perspective view of a display apparatus.
FIG. 2 is a front elevation view of the display apparatus of FIG. 1.
FIG. 3 is a rear elevation view of the display apparatus of FIG. 1.
FIG. 4 is a right elevation view of the display apparatus of FIG. 1.
FIG. 5 is a left elevation view of the display apparatus of FIG. 1.
FIG. 6 is a top plan view of the display apparatus of FIG. 1; and,
FIG. 7 is a bottom plan view of the display apparatus of FIG. 1.
The broken lines are for environmental purposes only and form no part of the claimed design.

1 Claim, 5 Drawing Sheets



US D608,115 S

Page 2

U.S. PATENT DOCUMENTS

D584,537 S *	1/2009	Cuzzocrea	D6/458	D591,531 S *	5/2009	Sparkowski	D6/464
D586,147 S	2/2009	Tsay et al.		D601,367 S *	10/2009	Nelson et al.	D6/477

* cited by examiner

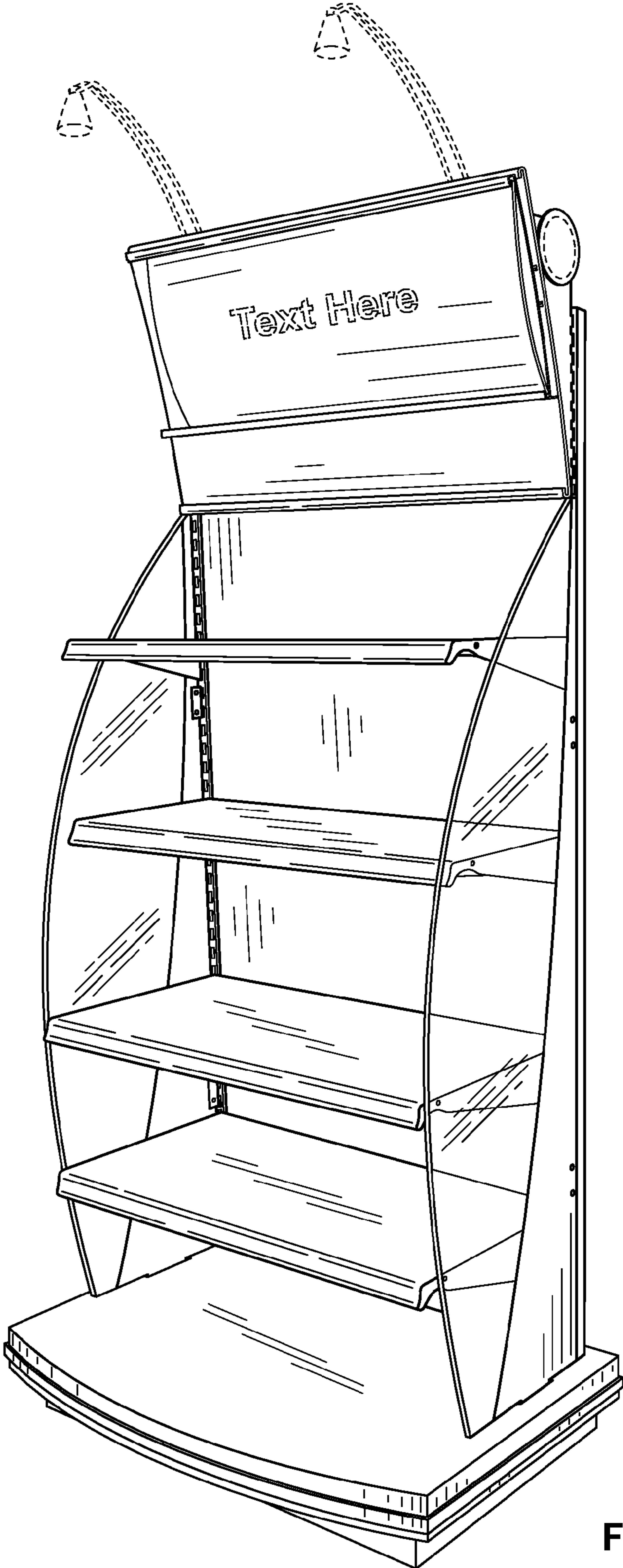


FIG. 1

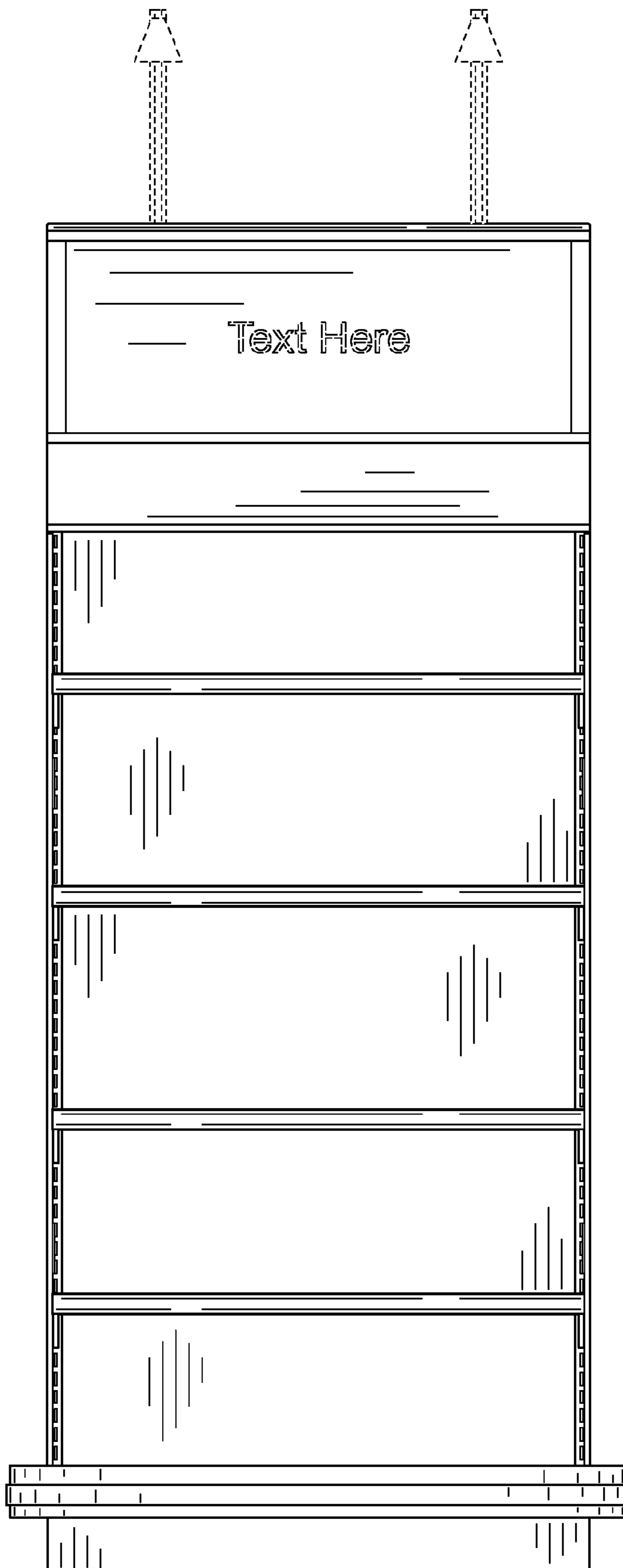


FIG. 2

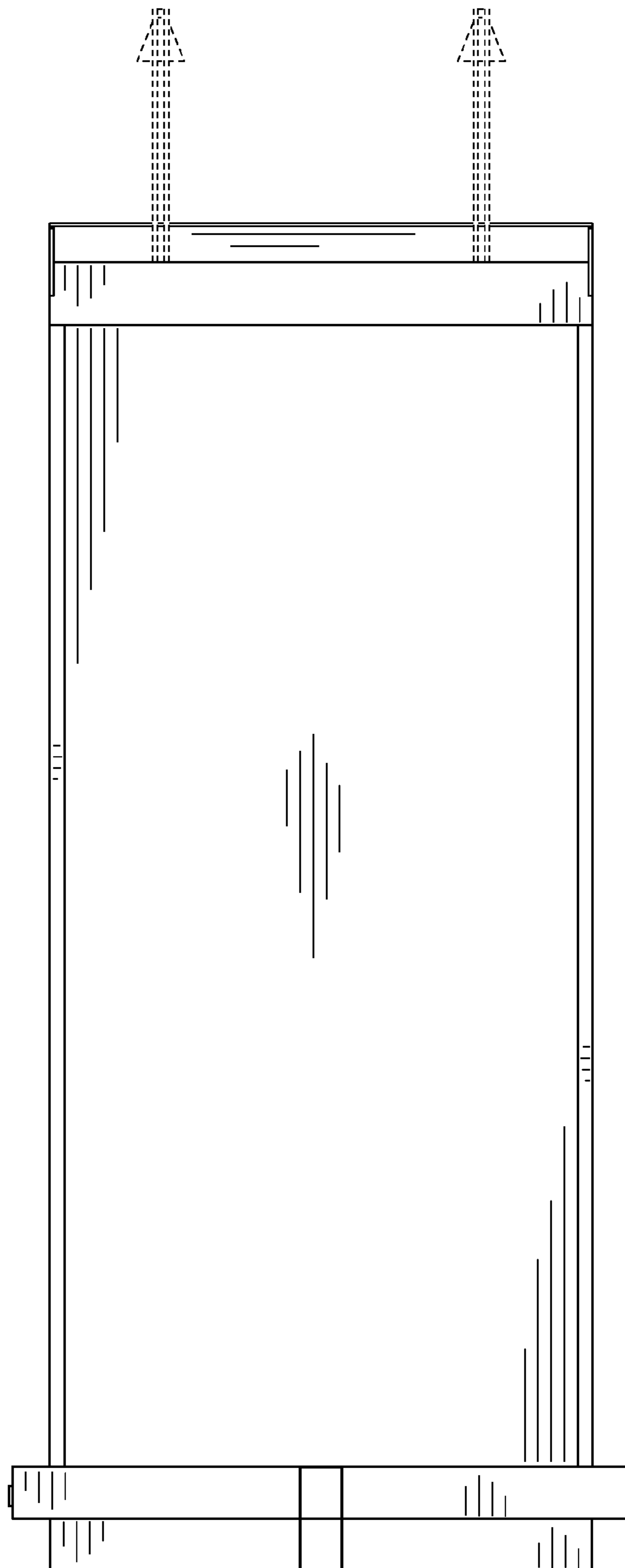


FIG. 3

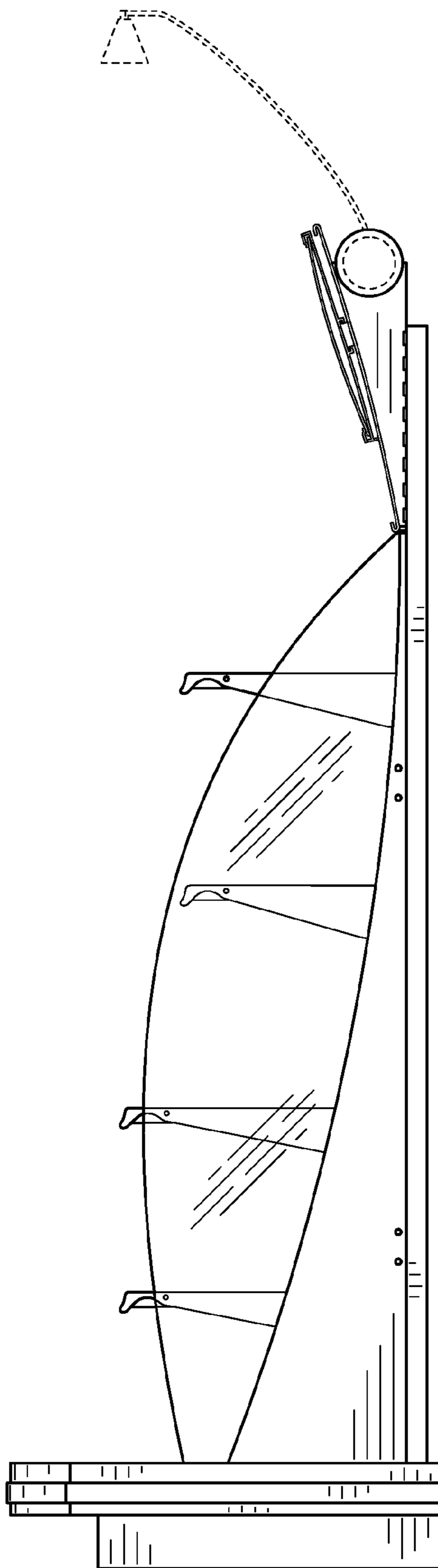


FIG. 4

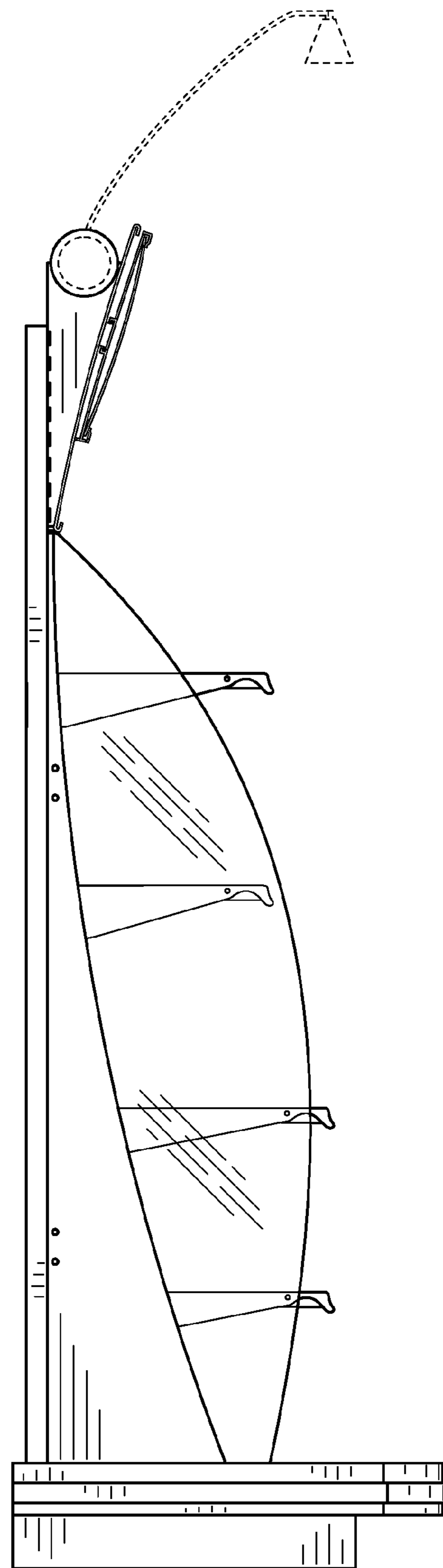


FIG. 5

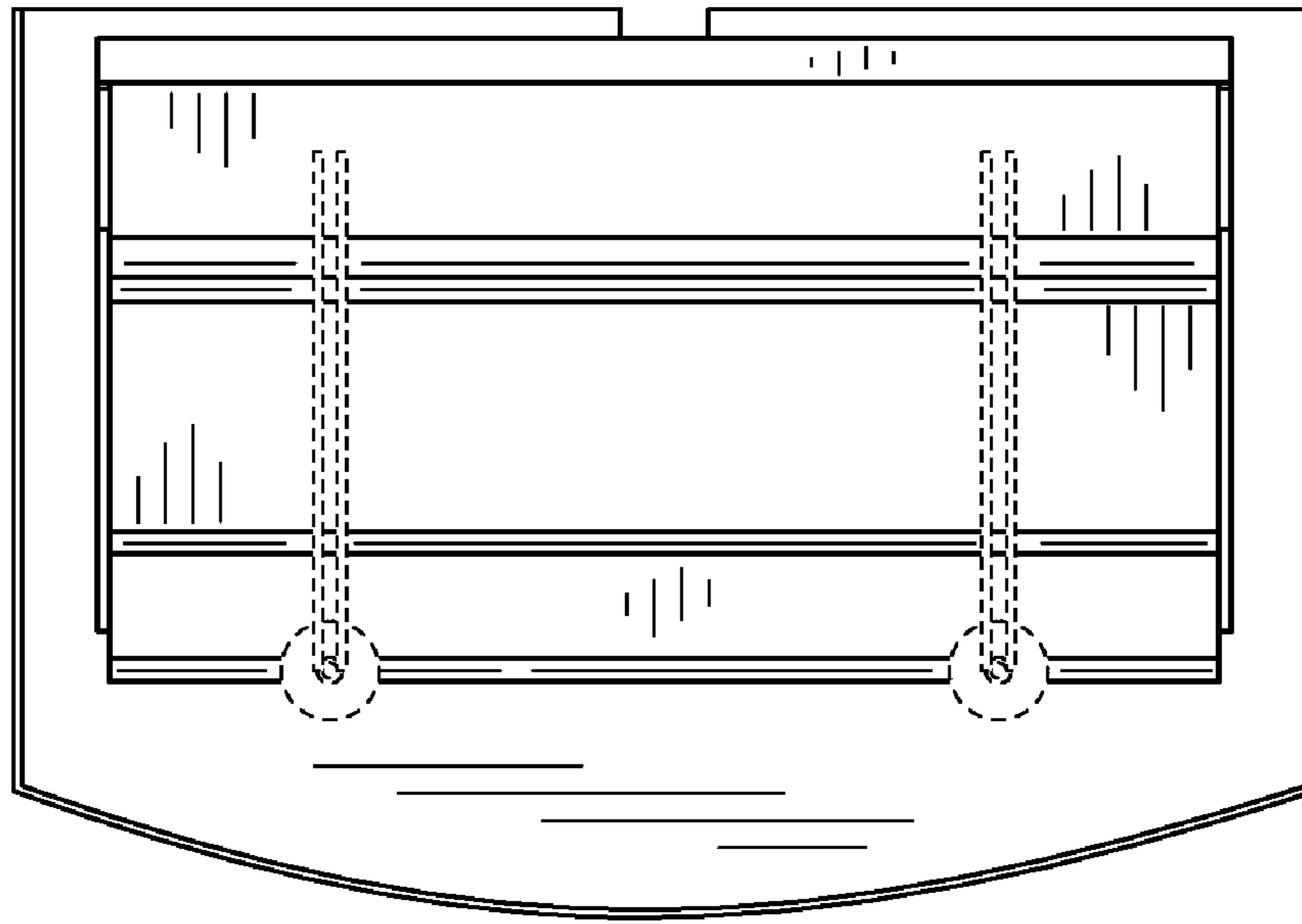


FIG. 6

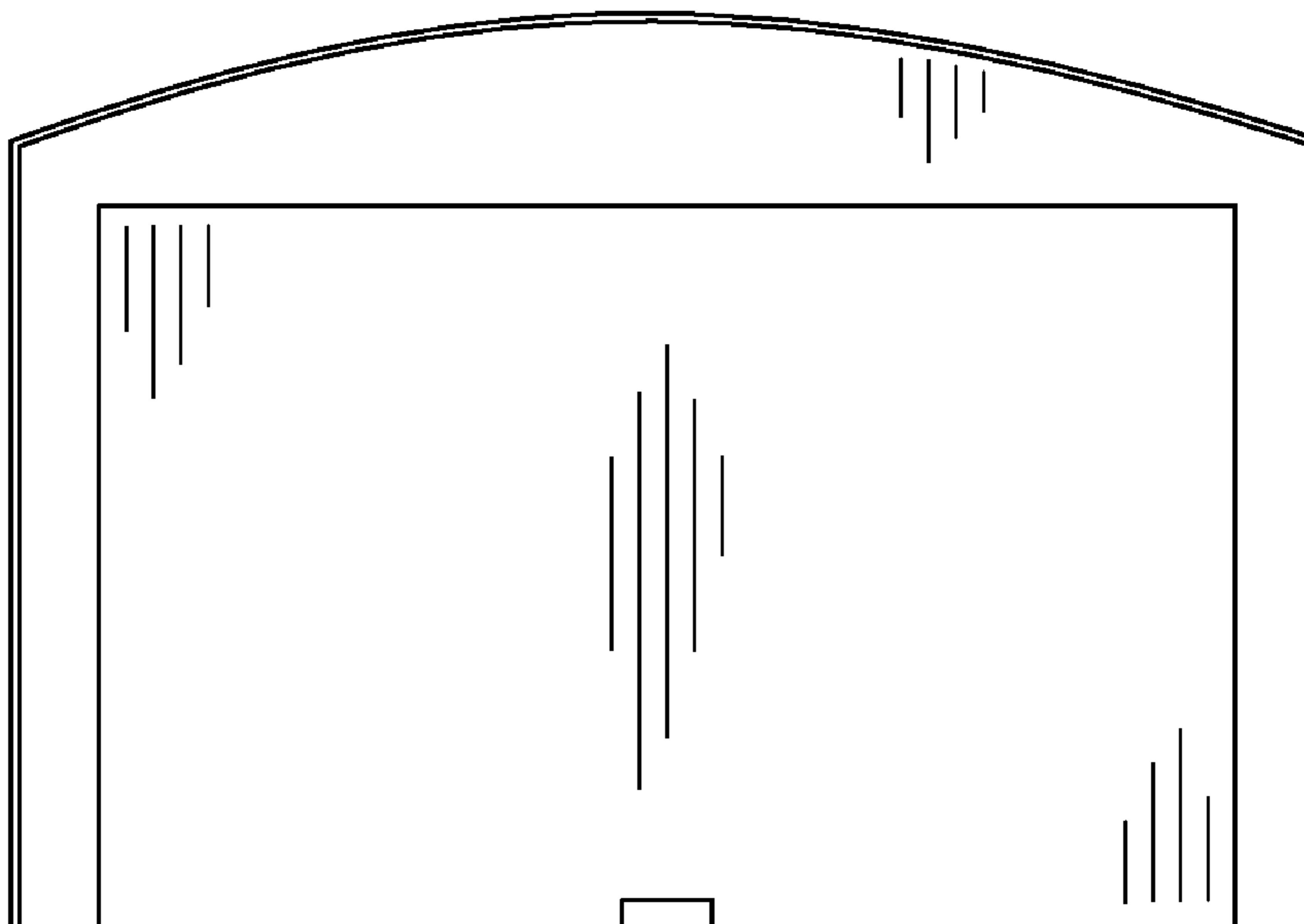


FIG. 7