



US00D608113S

(12) **United States Design Patent**
Koh

(10) **Patent No.:** **US D608,113 S**
(45) **Date of Patent:** **** Jan. 19, 2010**

(54) **STAND FOR WHITEBOARD**

(76) Inventor: **Tuang Hock Koh**, No. 42, 37th Road,
Taichung Industrial Park, Taichung City
(TW) 40768

(**) Term: **14 Years**

(21) Appl. No.: **29/341,317**

(22) Filed: **Aug. 3, 2009**

(51) **LOC (9) Cl.** **06-04**

(52) **U.S. Cl.** **D6/474**

(58) **Field of Classification Search** D6/460,
D6/474, 449, 455, 457-461, 473; 211/13,
211/71, 205, 196, 168

See application file for complete search history.

(56) **References Cited**

U.S. PATENT DOCUMENTS

D274,586	S	*	7/1984	Cope et al.	D6/420
D345,064	S	*	3/1994	Adams, Jr.	D6/474
D353,066	S	*	12/1994	Brandenberg	D6/460
D408,650	S	*	4/1999	Ibarra	D6/419
D414,625	S	*	10/1999	Stelmarski	D6/411
D463,679	S	*	10/2002	Chang	D6/411
7,195,214	B2	*	3/2007	Lee et al.	248/125.8
D545,081	S	*	6/2007	Lara	D6/466
D576,427	S	*	9/2008	Stebbens et al.	D6/477

* cited by examiner

Primary Examiner—Elizabeth A Albert
Assistant Examiner—Kelley A Donnelly

(57) **CLAIM**

The ornamental design for a stand for whiteboard, as shown and described.

DESCRIPTION

FIG. 1 is a perspective view of a stand for whiteboard showing my new design;

FIG. 2 is a front elevational view thereof;

FIG. 3 is a rear elevational view thereof;

FIG. 4 is a left side view thereof;

FIG. 5 is a right side view thereof;

FIG. 6 is a top plan view thereof;

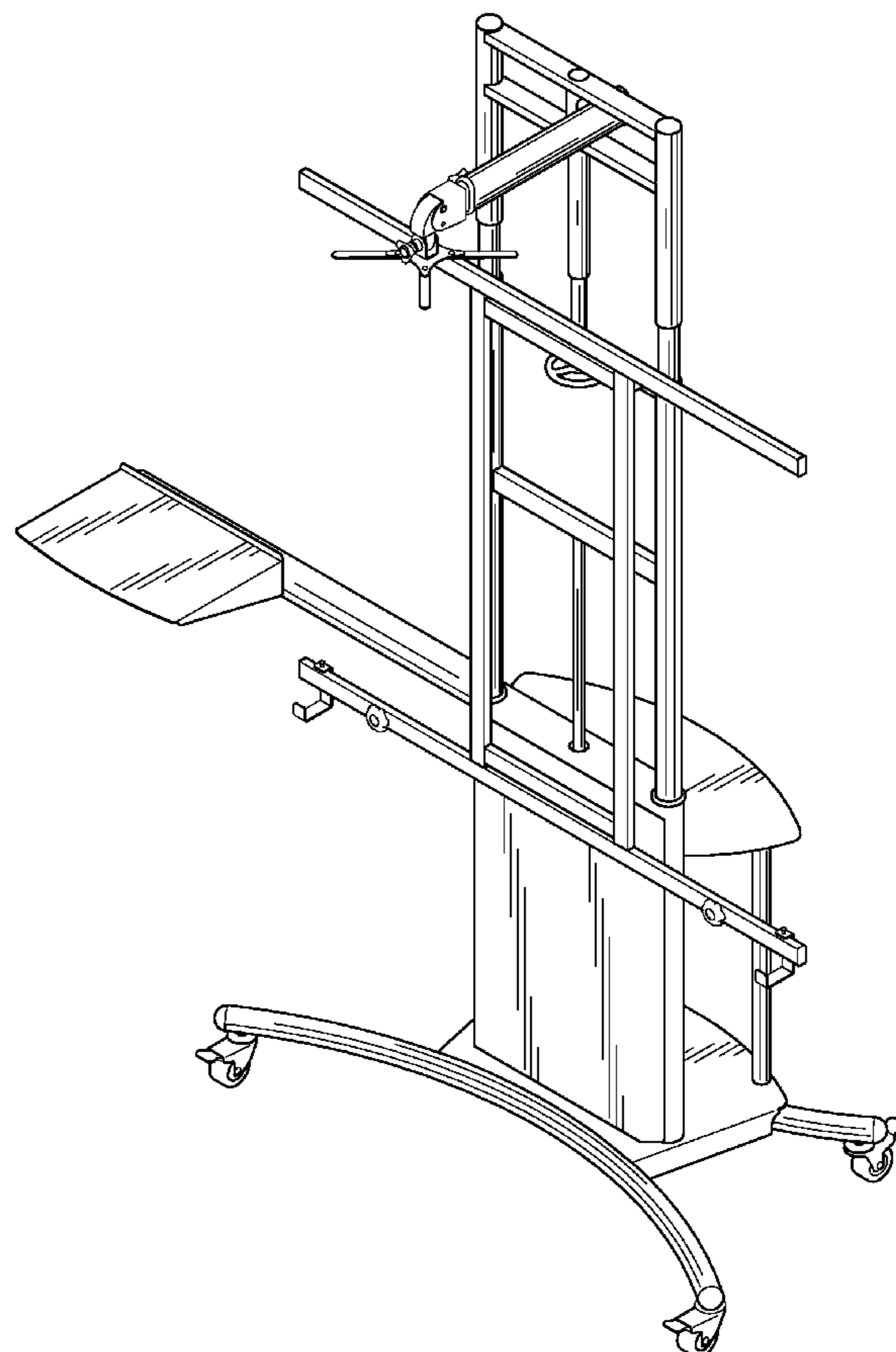
FIG. 7 is a bottom plan view thereof;

FIG. 8 is an alternate perspective view of the stand for whiteboard; and,

FIG. 9 is another alternate perspective view of the stand for whiteboard.

The broken lines are for environmental purposes only and form no part of the claimed design.

1 Claim, 8 Drawing Sheets



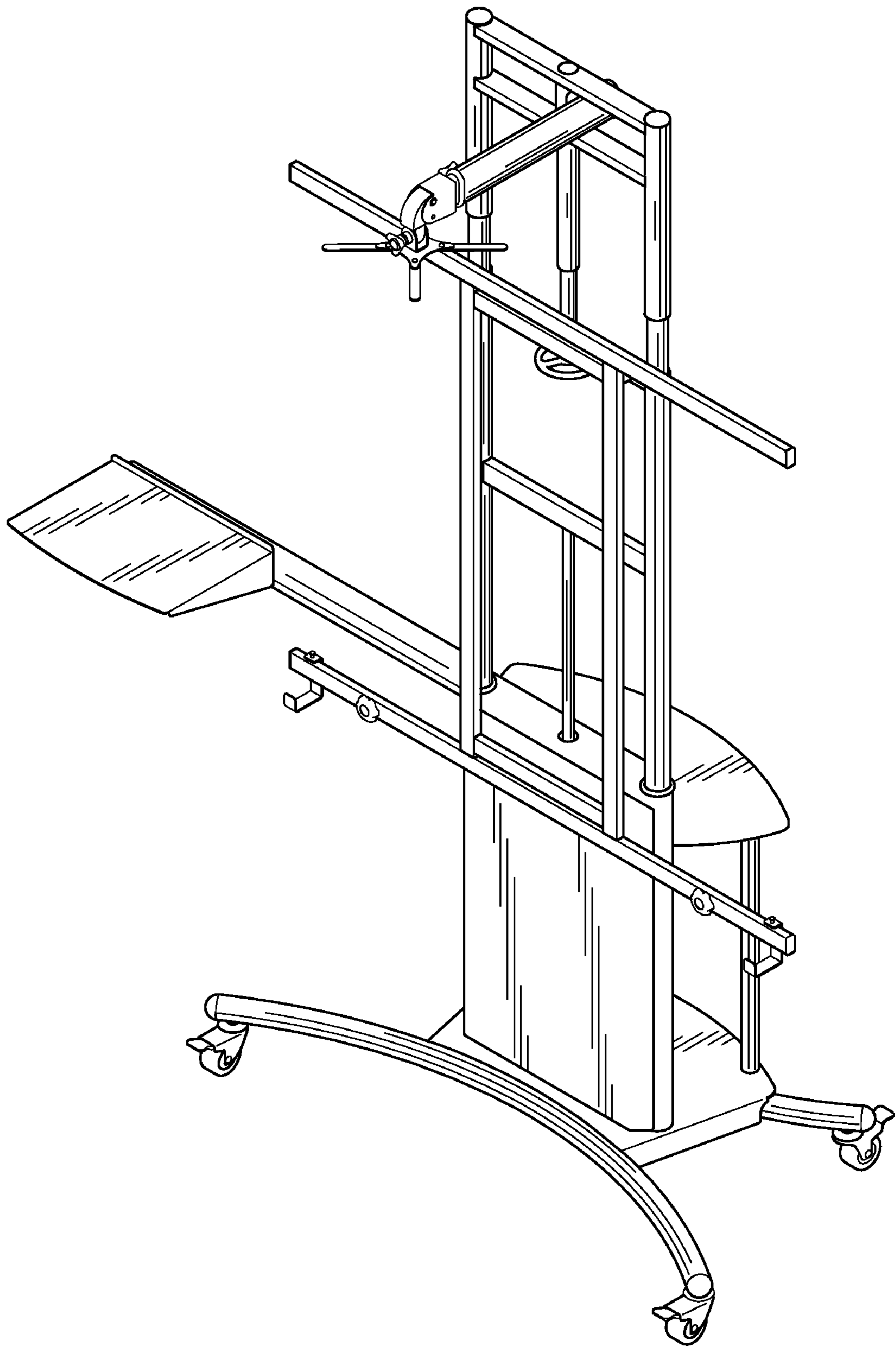


FIG. 1

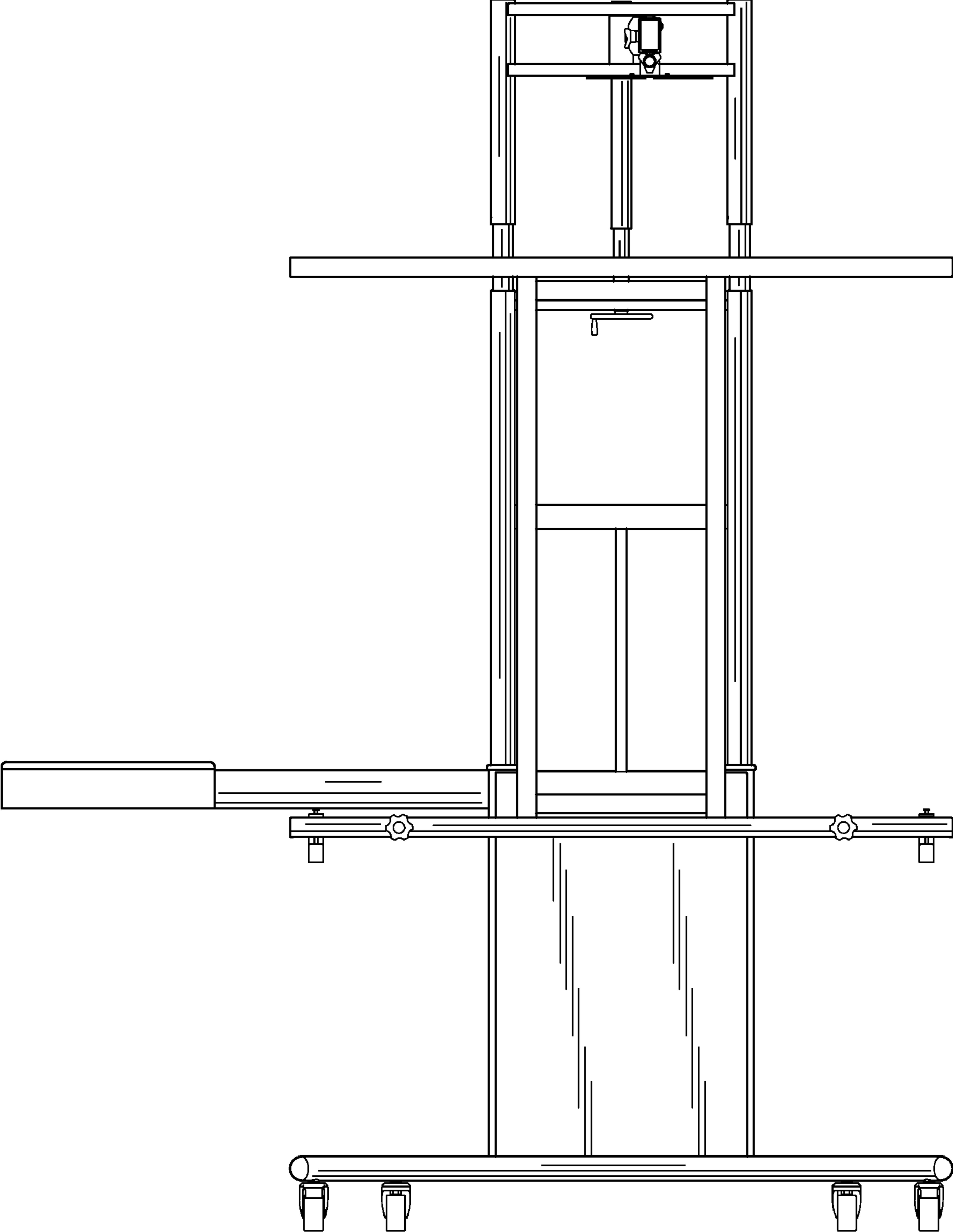


FIG. 2

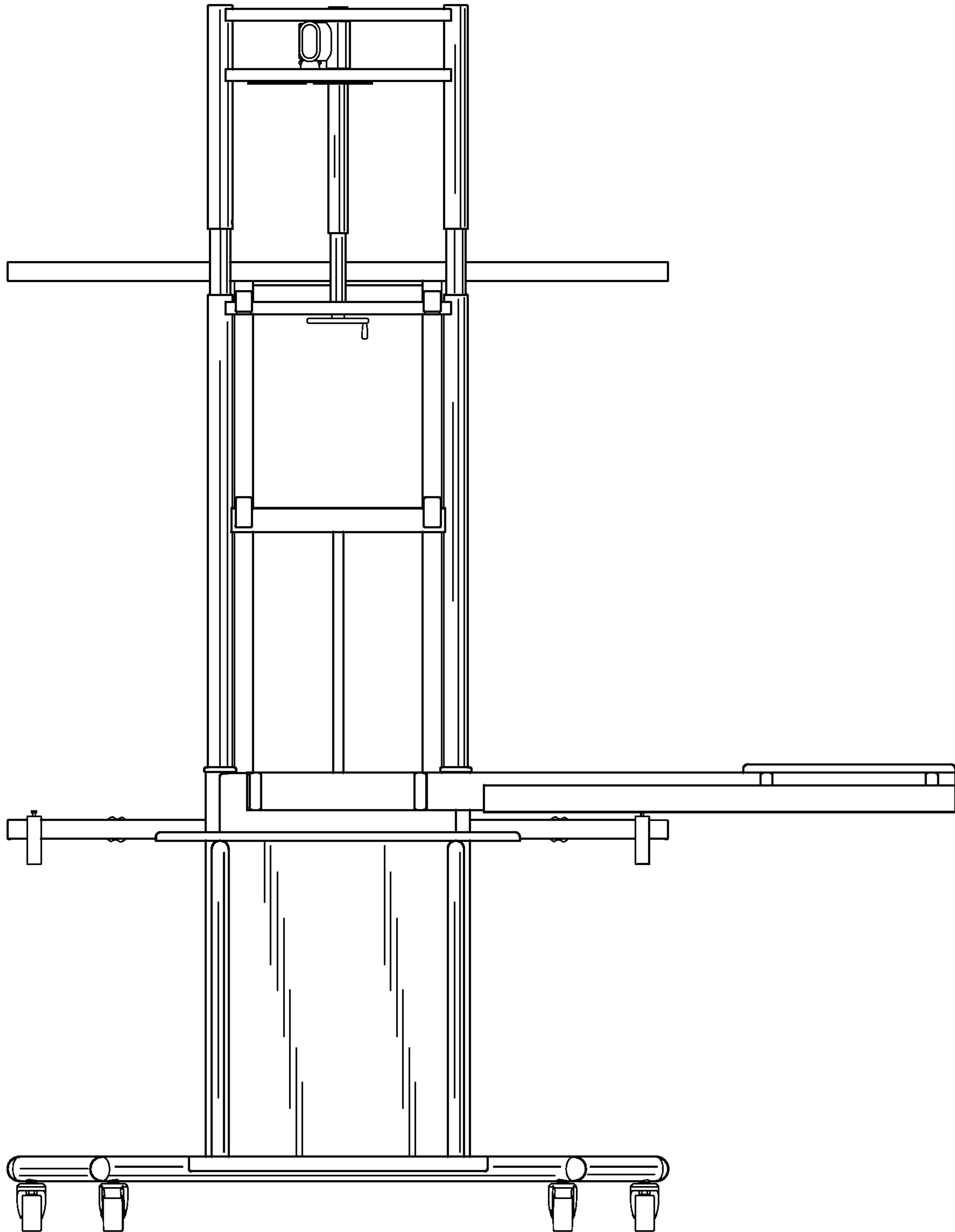


FIG. 3

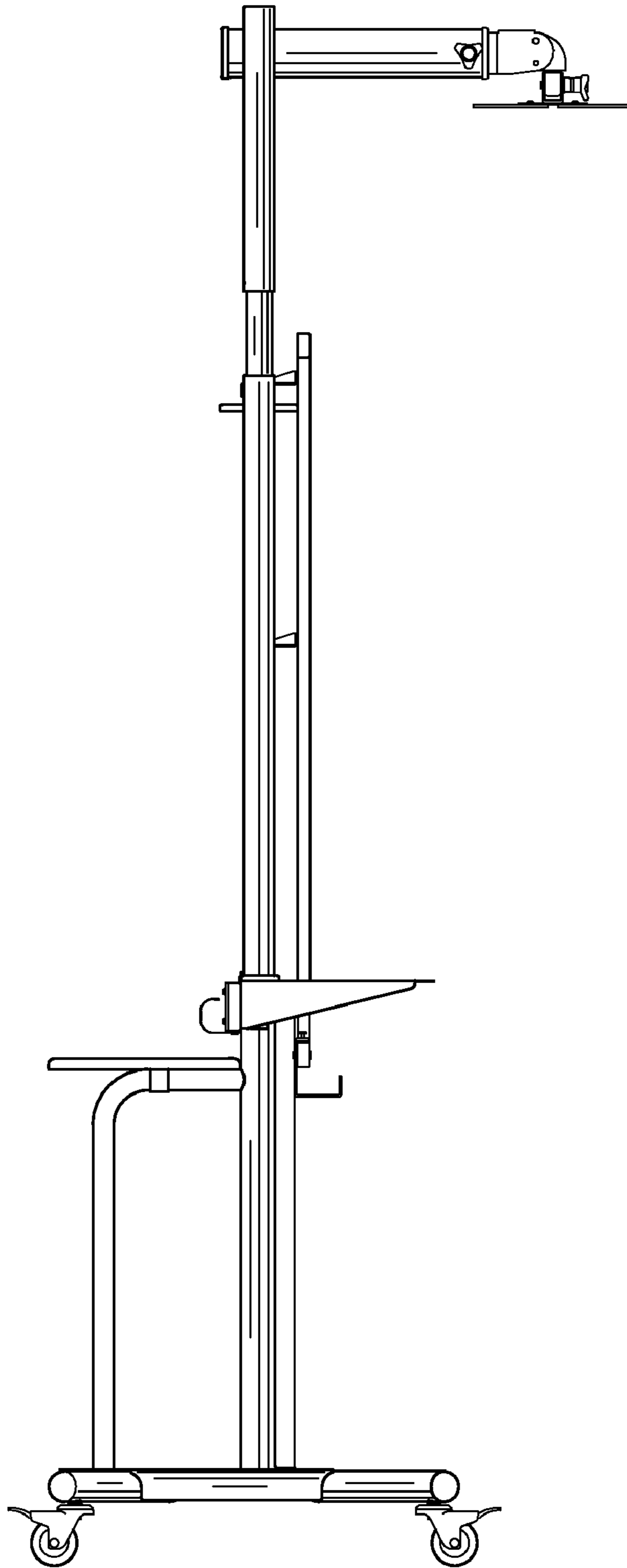


FIG. 4

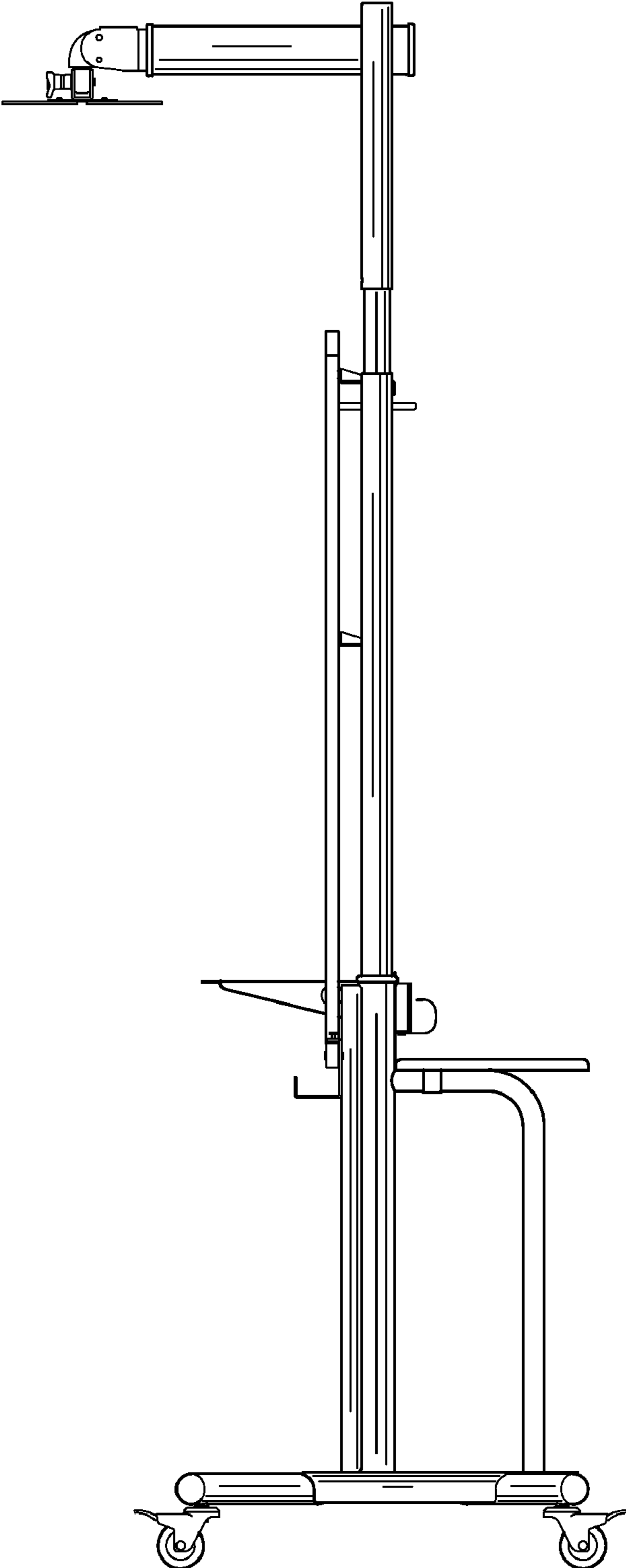


FIG. 5

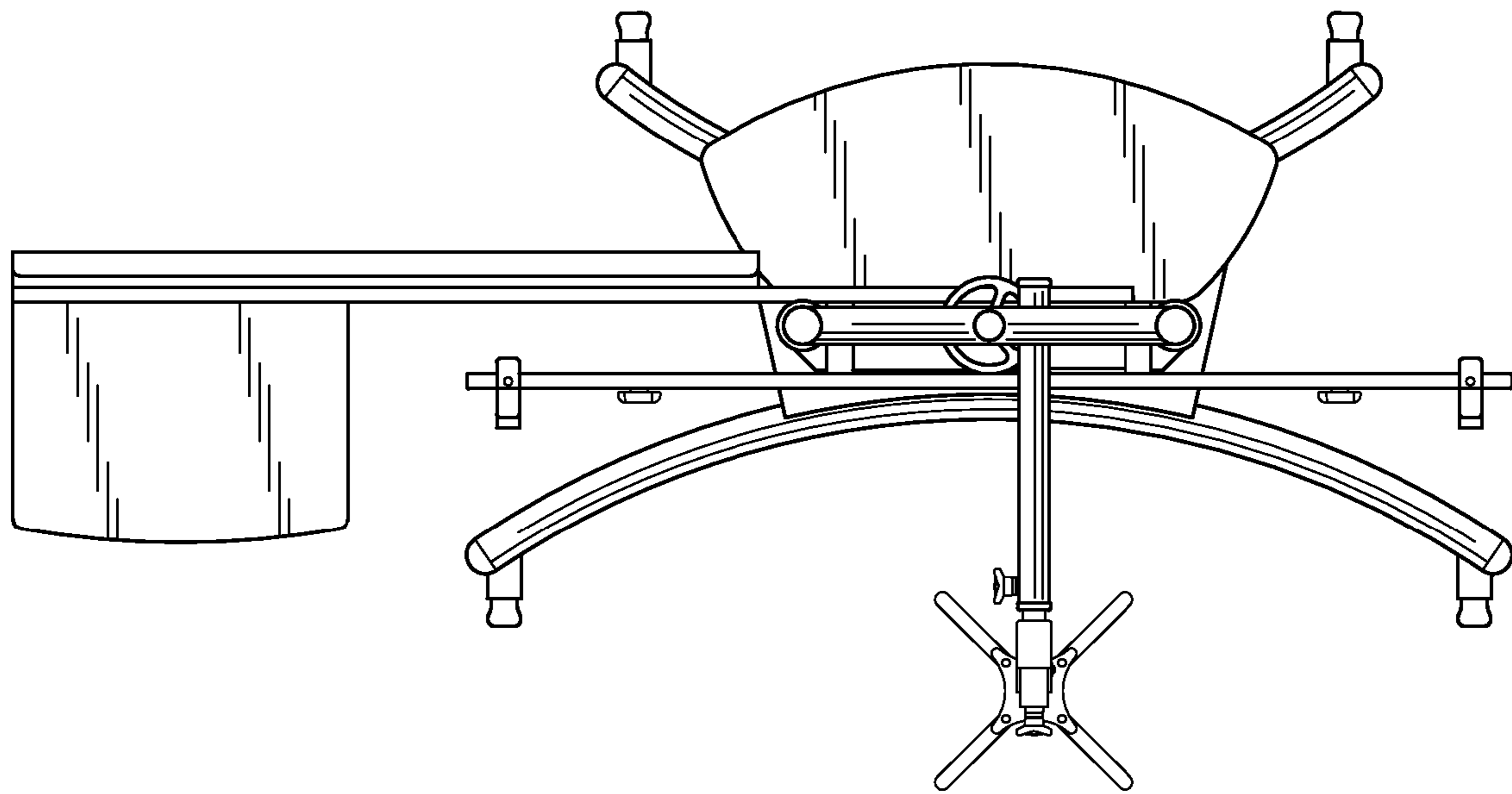


FIG. 6

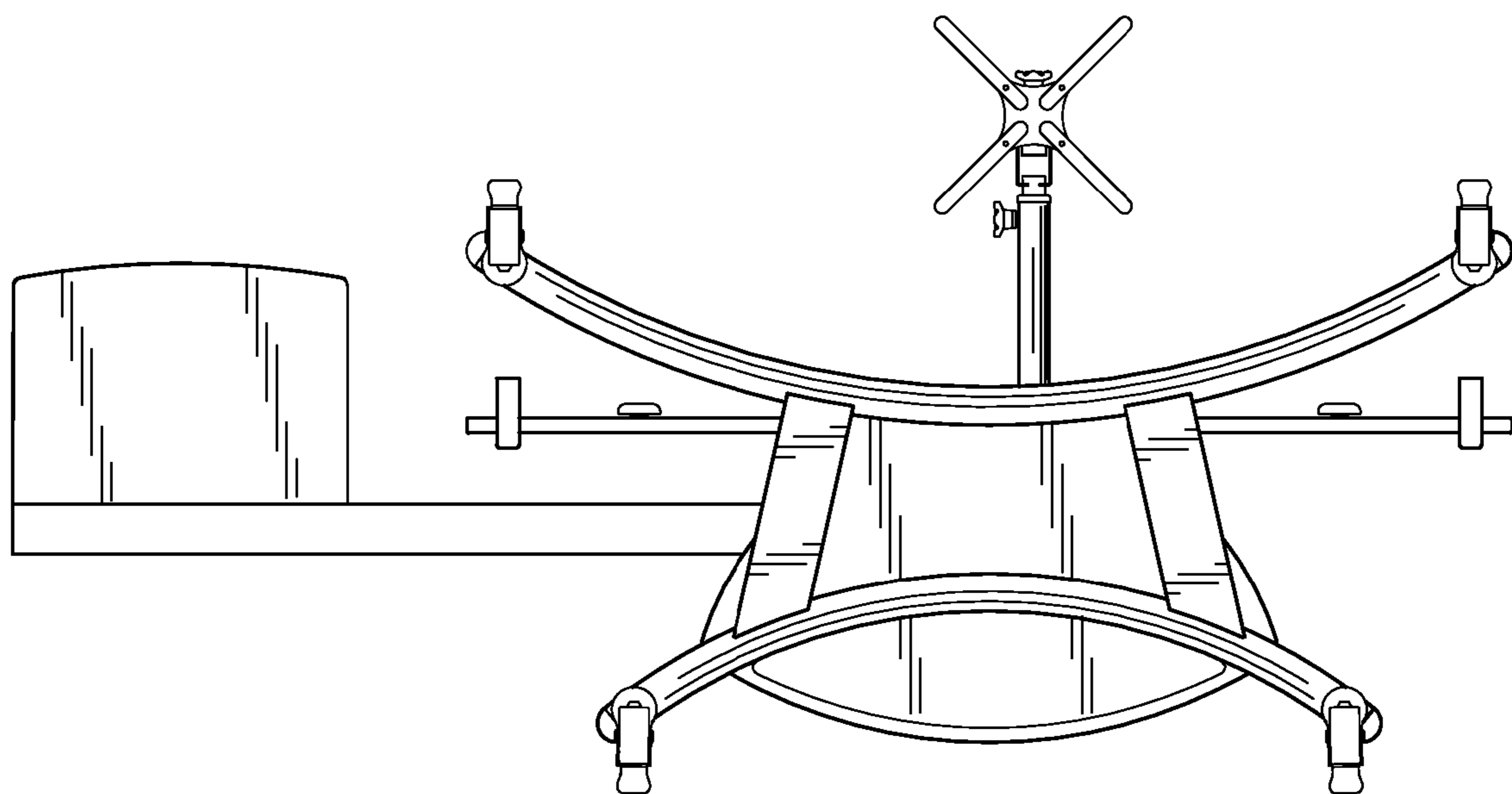


FIG. 7

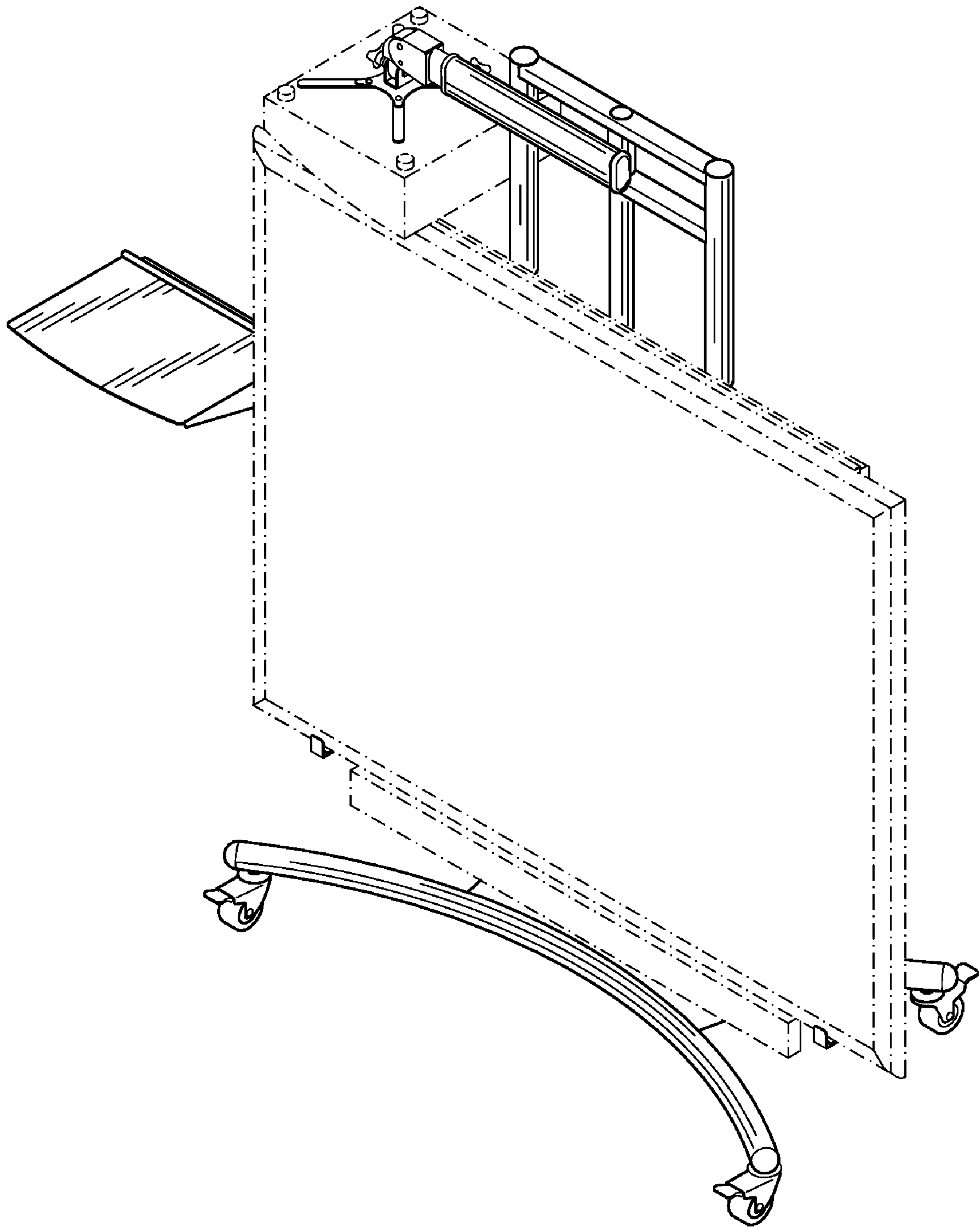


FIG. 8

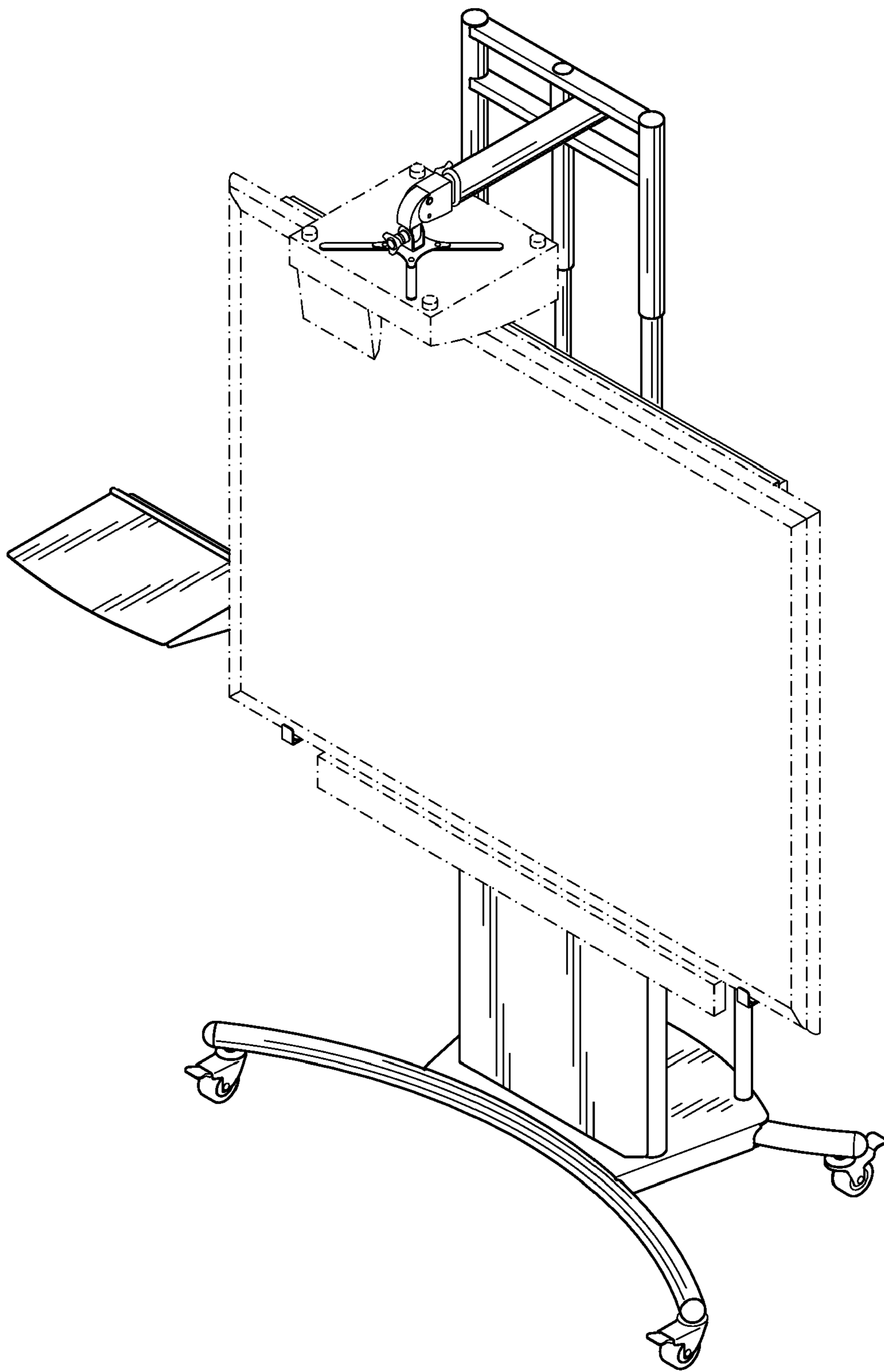


FIG. 9